



US00D482180S

(12) **United States Design Patent**
Magee et al.

(10) **Patent No.:** **US D482,180 S**

(45) **Date of Patent:** **** Nov. 11, 2003**

(54) **AUTOMATED TELLER MACHINE MEDIA CASSETTE INDICATOR**

(75) **Inventors:** **Paul D. Magee**, North Canton, OH (US); **David A. Barker**, North Canton, OH (US); **Jeff Geither**, North Ridgeville, OH (US); **Eric S. VanKeulen**, North Canton, OH (US); **Jon E. Washington**, Clinton, OH (US)

(73) **Assignee:** **Diebold Self Service Systems division of Diebold, Incorporated**, North Canton, OH (US)

(**) **Term:** **14 Years**

(21) **Appl. No.:** **29/173,394**

(22) **Filed:** **Dec. 26, 2002**

(51) **LOC (7) Cl.** **99-00**

(52) **U.S. Cl.** **D99/43**

(58) **Field of Search** D99/28, 43; D20/1-5; D14/173; 235/379; 70/25, 63, 159, 298; D3/262, 273, 294; 194/350; 221/3, 13, 12, 103, 124; 273/153 R, 160

(56) **References Cited**

U.S. PATENT DOCUMENTS

344,055 A * 6/1886 O'Melveny 70/159
5,415,319 A * 5/1995 Risolia 221/3
6,401,991 B1 * 6/2002 Eannone 221/103 X
D463,395 S * 9/2002 Newcomb et al. D14/173

* cited by examiner

Primary Examiner—Paula A. Mortimer

(74) *Attorney, Agent, or Firm*—Ralph E. Jocke; Walker & Jocke

(57) **CLAIM**

We claim the ornamental design for automated teller machine media cassette indicator, as shown.

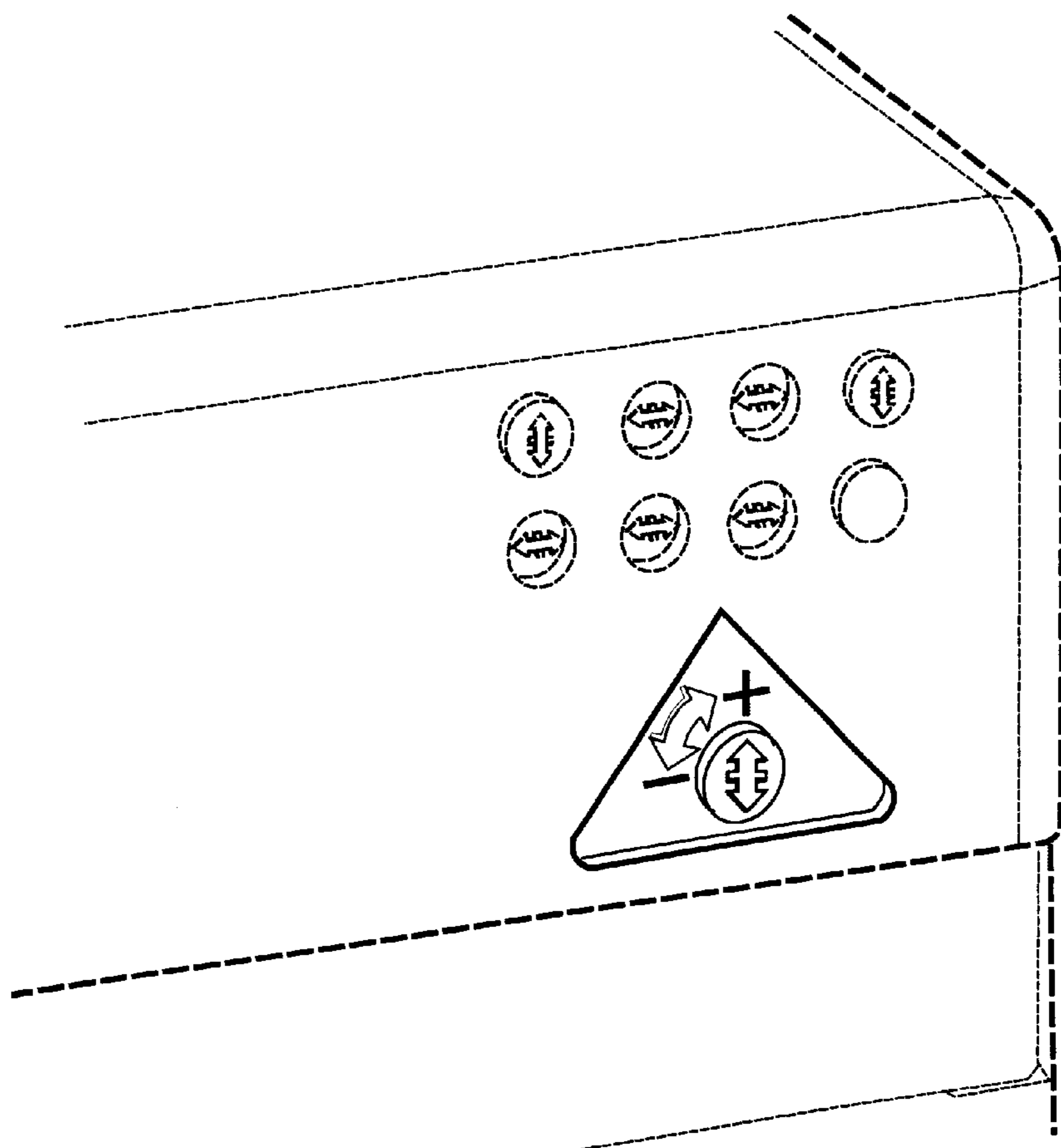
DESCRIPTION

FIG. 1 is a front left perspective view with a media cassette shown in phantom; and,

FIG. 2 is a front view, with a media cassette shown in phantom

The broken lines in FIGS. 1 and 2 are for illustrative purposes only and forms no part of the claimed design.

1 Claim, 2 Drawing Sheets



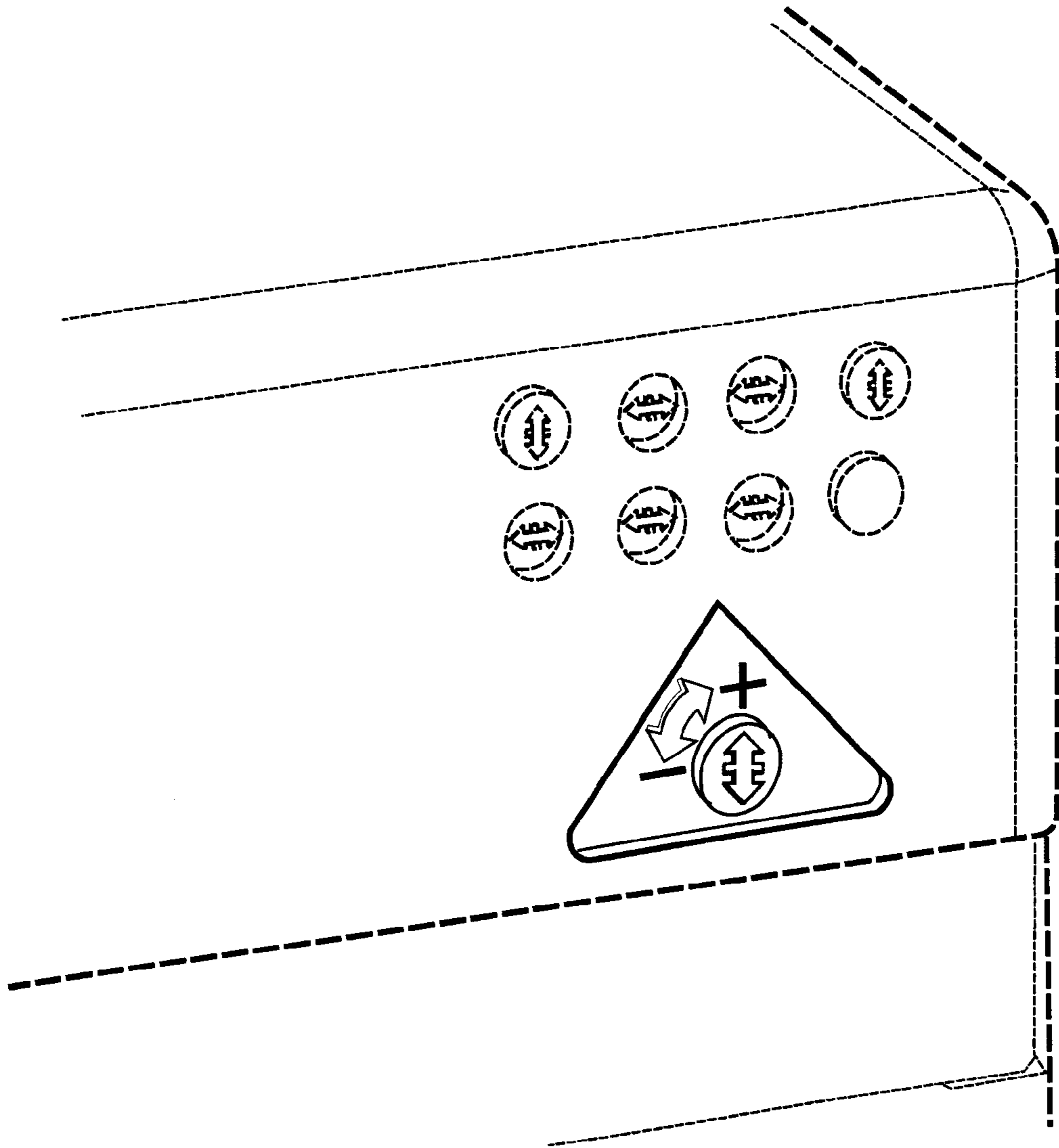


Fig. 1

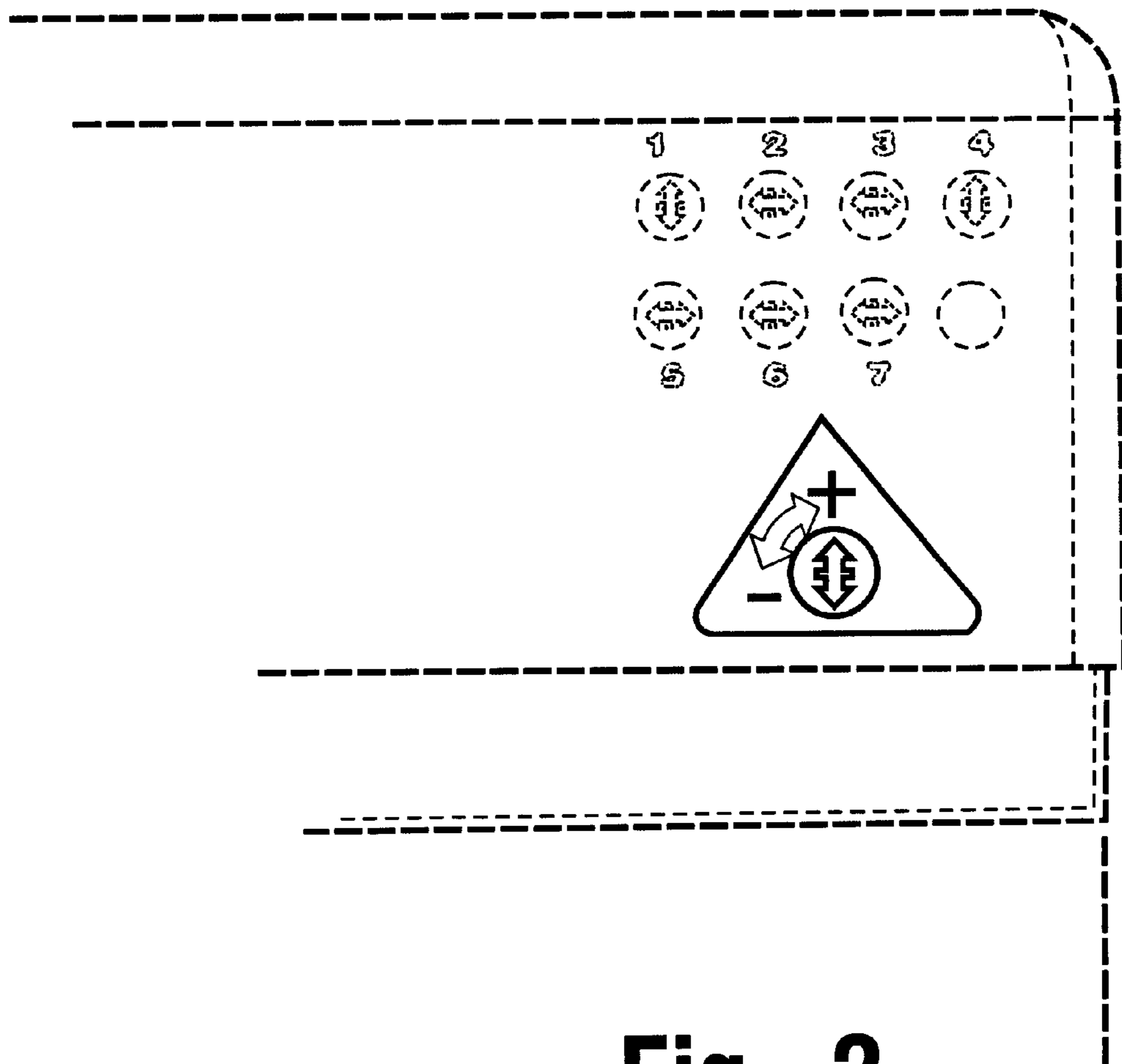


Fig 2