



US00D482179S

(12) **United States Design Patent**
South

(10) **Patent No.:** **US D482,179 S**

(45) **Date of Patent:** **** Nov. 11, 2003**

(54) **MAILBOX WITH TRANSPARENT PANELS**

D332,166 S 12/1992 Williams
D335,903 S 5/1993 Swindle
D337,417 S 7/1993 McNiven

(76) Inventor: **Paul J. South**, 3018 Grace St.,
Greenwood, IN (US) 46143

(**) Term: **14 Years**

* cited by examiner

(21) Appl. No.: **29/175,889**

Primary Examiner—Paula A. Mortimer
(74) *Attorney, Agent, or Firm*—Woodard, Emhardt,
Moriarty, McNett & Henry LLP

(22) Filed: **Feb. 12, 2003**

(57) **CLAIM**

Related U.S. Application Data

I claim the ornamental design for mailbox with transparent panels, as shown and described.

(62) Division of application No. 29/163,071, filed on Jun. 26, 2002.

DESCRIPTION

(51) **LOC (7) Cl.** **99-00**

FIGS. 1–7 set forth a first embodiment of my new, ornamental design;

(52) **U.S. Cl.** **D99/29**

FIG. 1 is a perspective view showing my new design;

(58) **Field of Search** D99/29, 30, 31,
D99/32, 33; 232/17, 34, 45, 29, 32; D21/483

FIG. 2 is a top plan view thereof;

FIG. 3 is a left side elevational view thereof;

FIG. 4 is a right side elevational view thereof;

FIG. 5 is a front elevational view thereof;

FIG. 6 is rear elevational view thereof;

FIG. 7 is a bottom plan view thereof;

FIGS. 8–14 set forth another embodiment of my new, ornamental design;

FIG. 8 is a perspective view showing my new design;

FIG. 9 is a top plan view thereof;

FIG. 10 is a left side elevational view thereof;

FIG. 11 is a right side elevational view thereof;

FIG. 12 is a front elevational view thereof;

FIG. 13 is rear elevational view thereof; and,

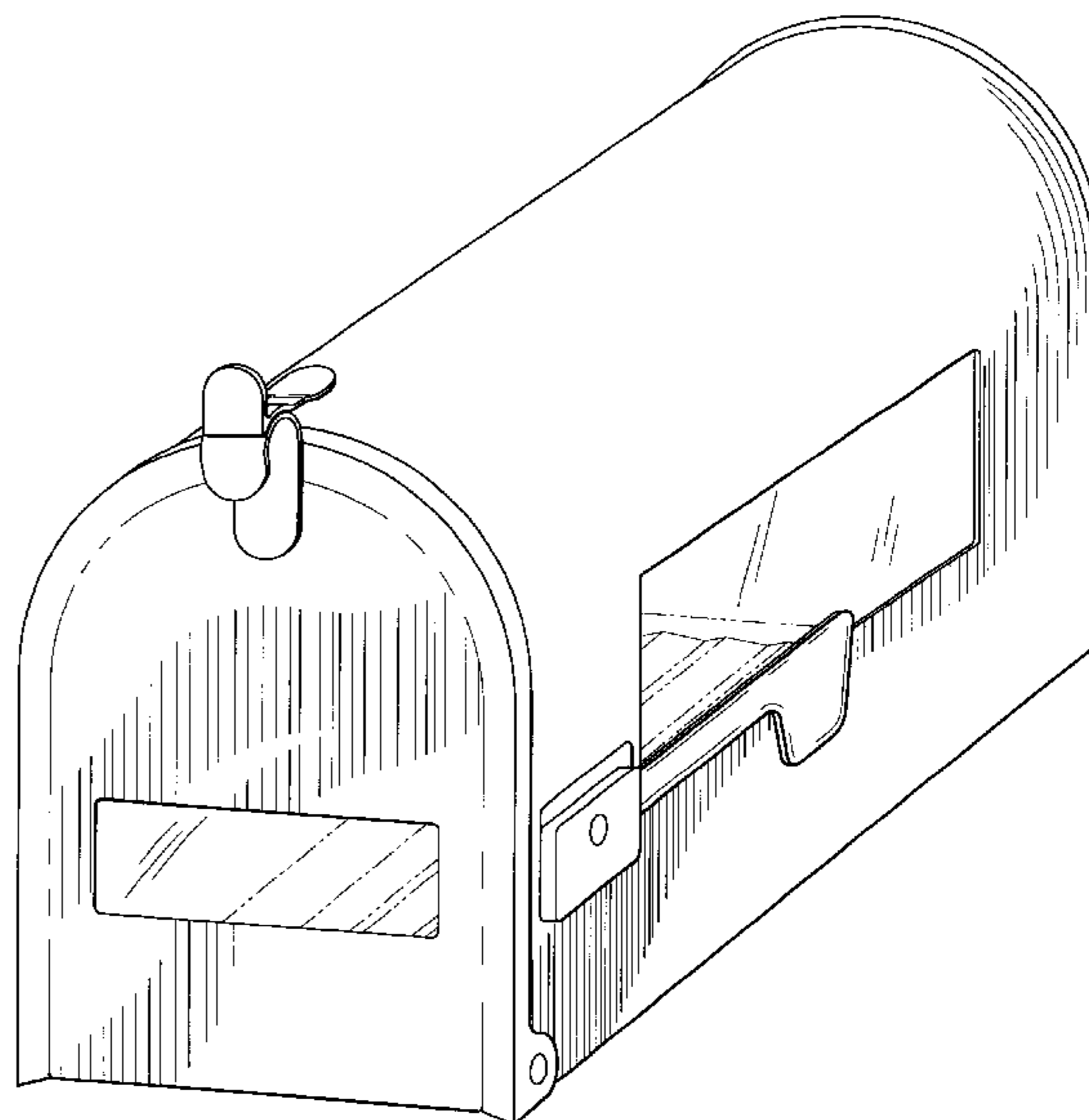
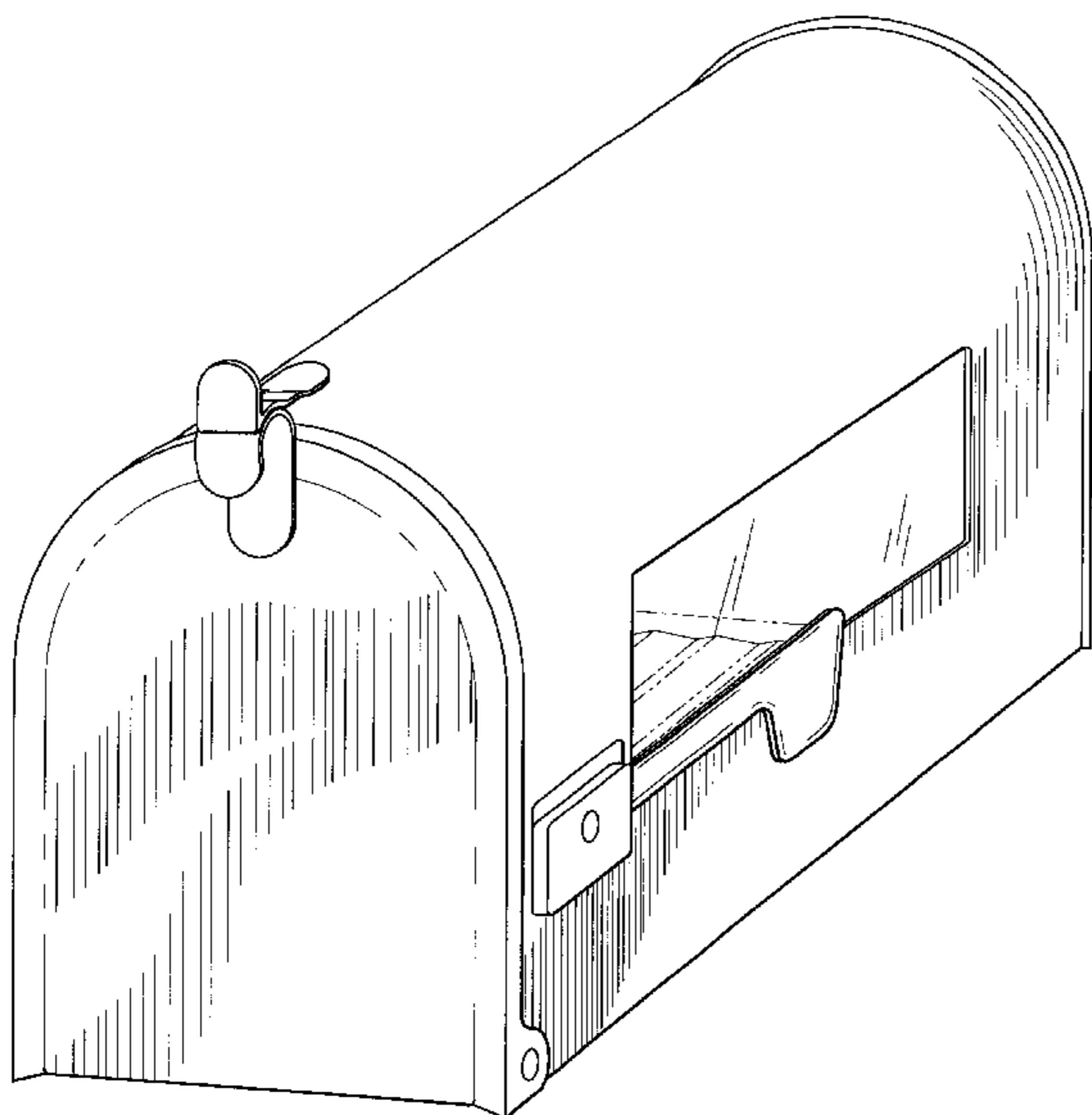
FIG. 14 is a bottom plan view thereof.

(56) **References Cited**

U.S. PATENT DOCUMENTS

1,393,944 A	10/1921	Chapman	
1,483,077 A	2/1924	Cole	
1,542,217 A	6/1925	Cole	
1,959,963 A	5/1934	Overmyer	
2,370,682 A	3/1945	Overmyer	
2,561,007 A	7/1951	Bierig	
3,107,848 A	10/1963	Penta	
D254,455 S	3/1980	Cornwell, Jr. et al.	
4,244,512 A	1/1981	Wise	
4,650,113 A	3/1987	Hunt	
4,872,610 A	* 10/1989	Grabowiecki	232/17
D315,821 S	3/1991	Lorenzi	
D330,793 S	11/1992	Hampton	

1 Claim, 14 Drawing Sheets



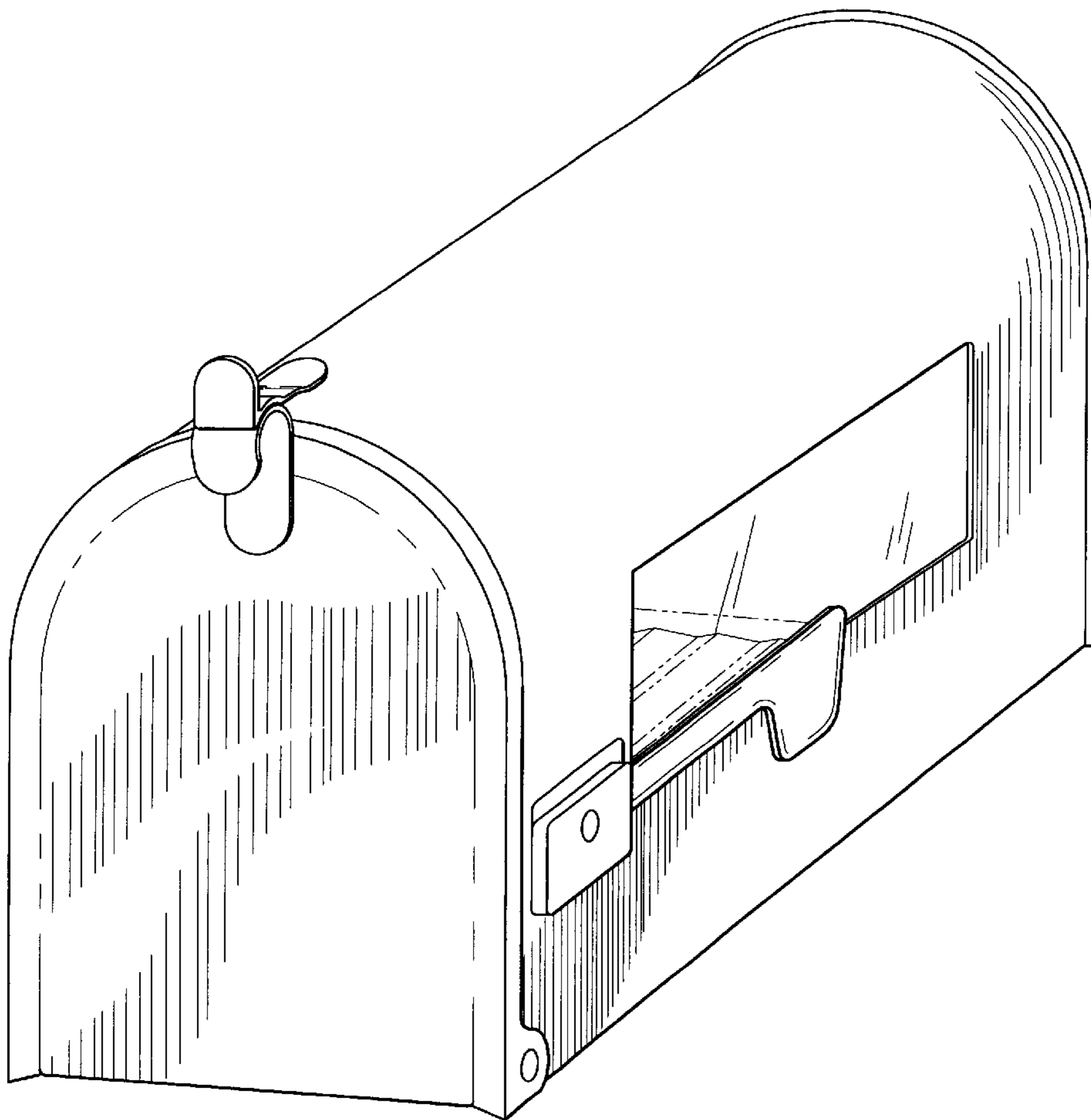


Fig. 1

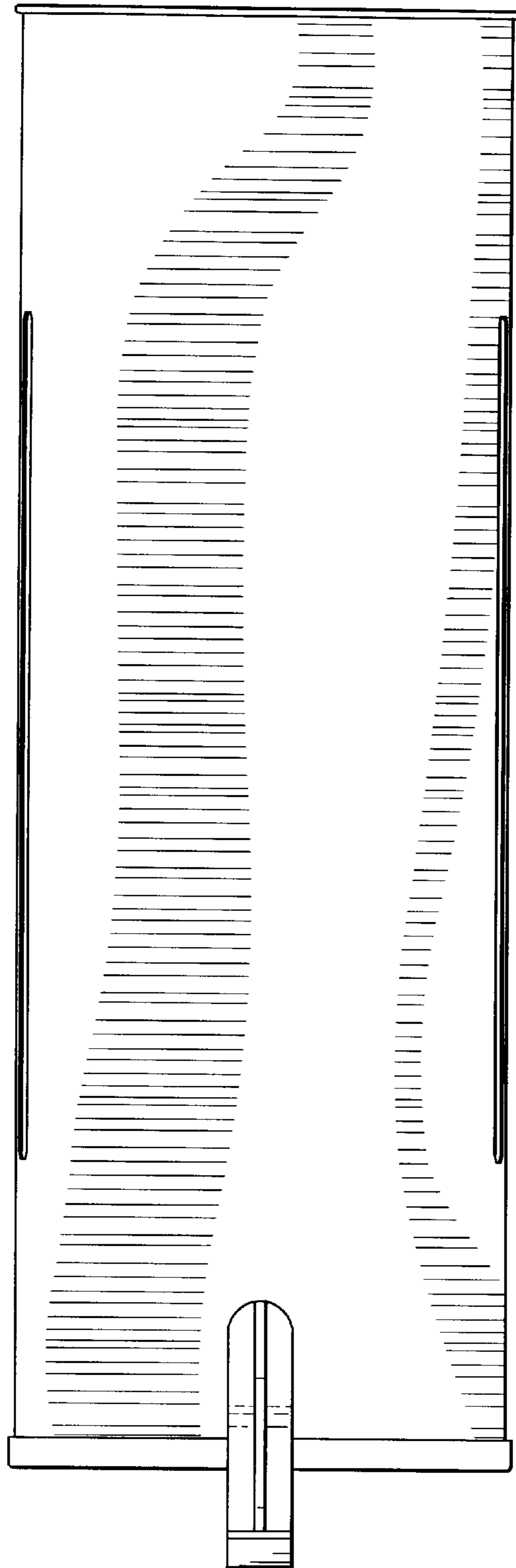


Fig. 2

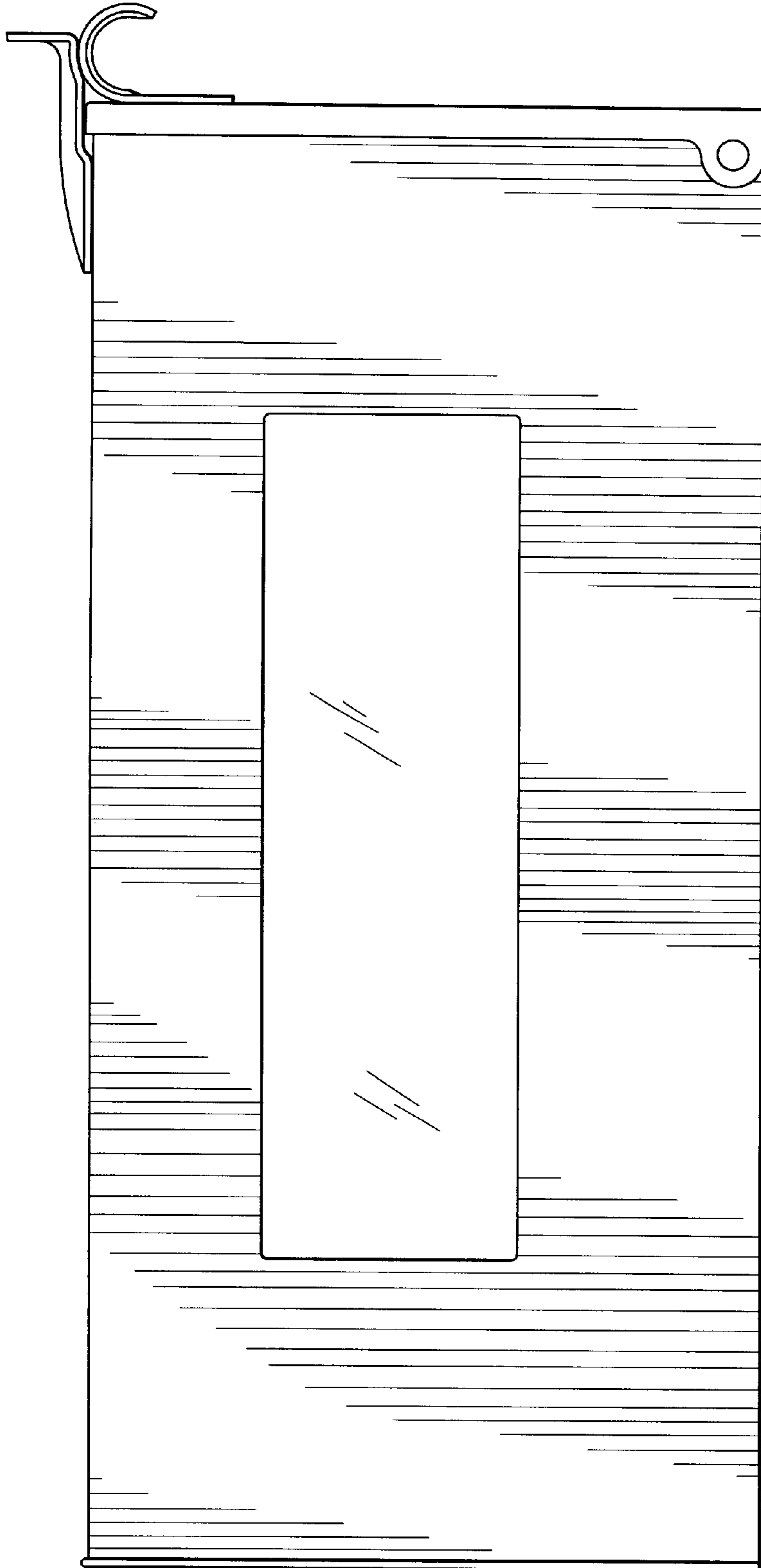


Fig. 3

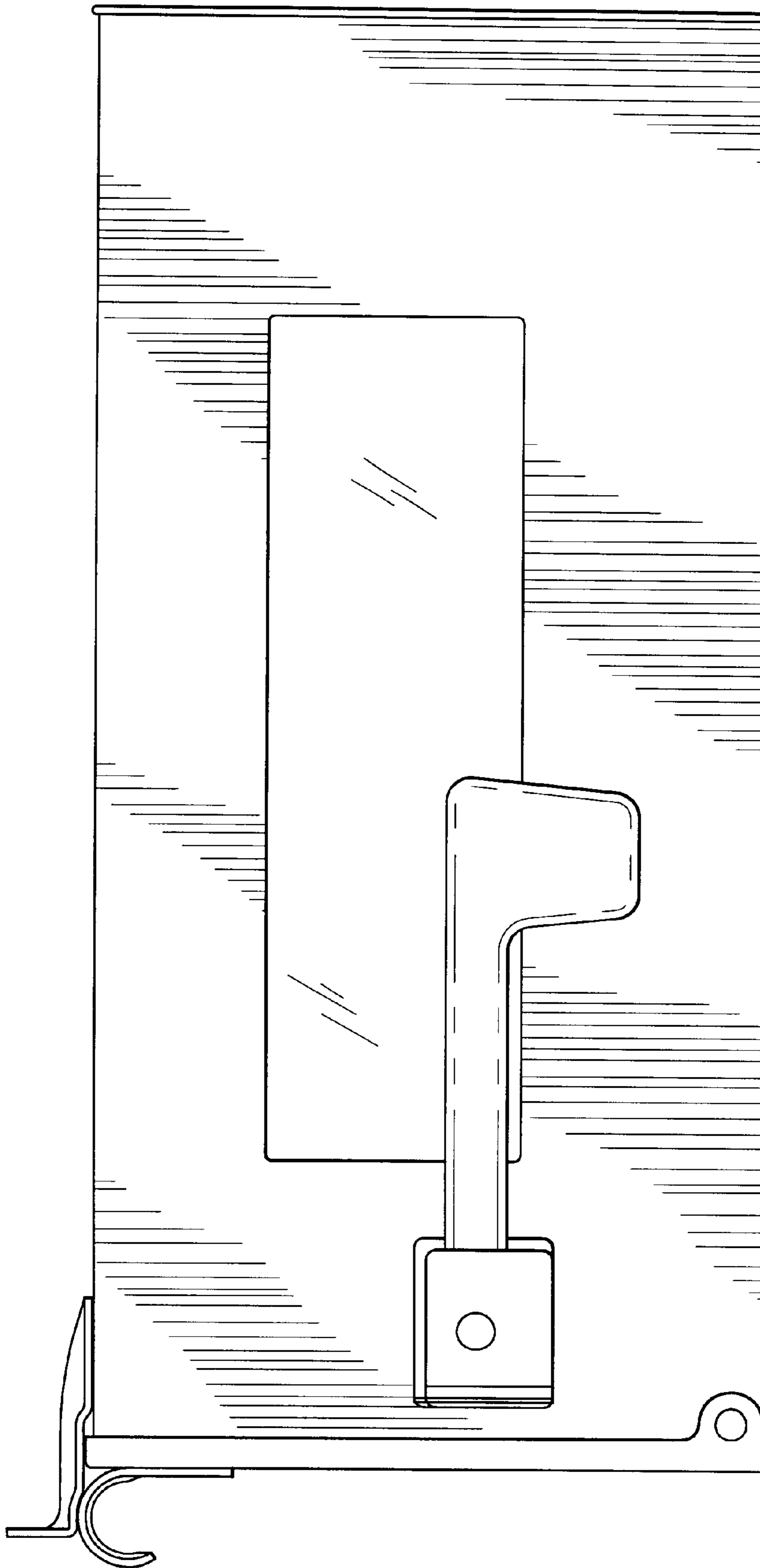


Fig. 4

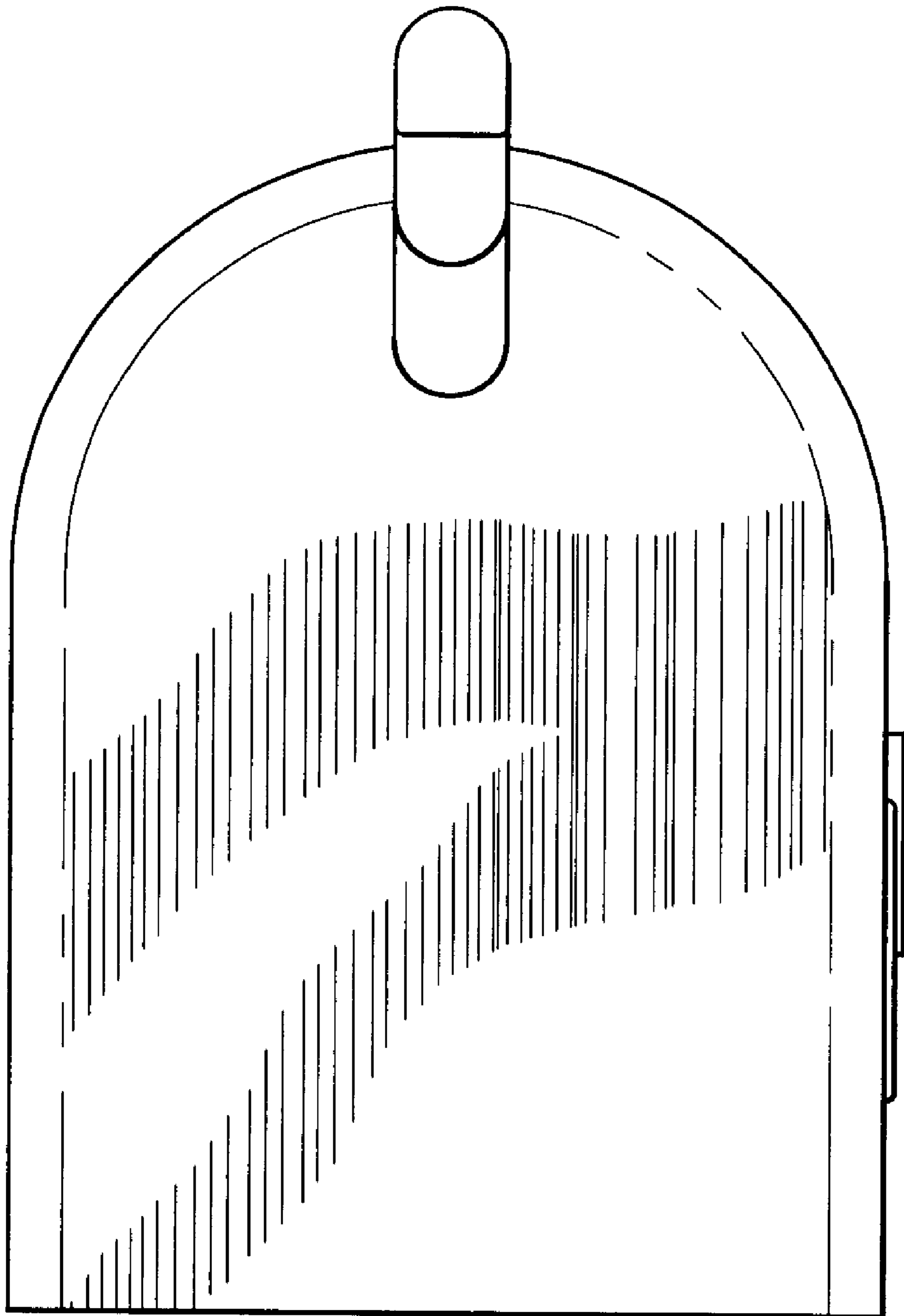


Fig. 5

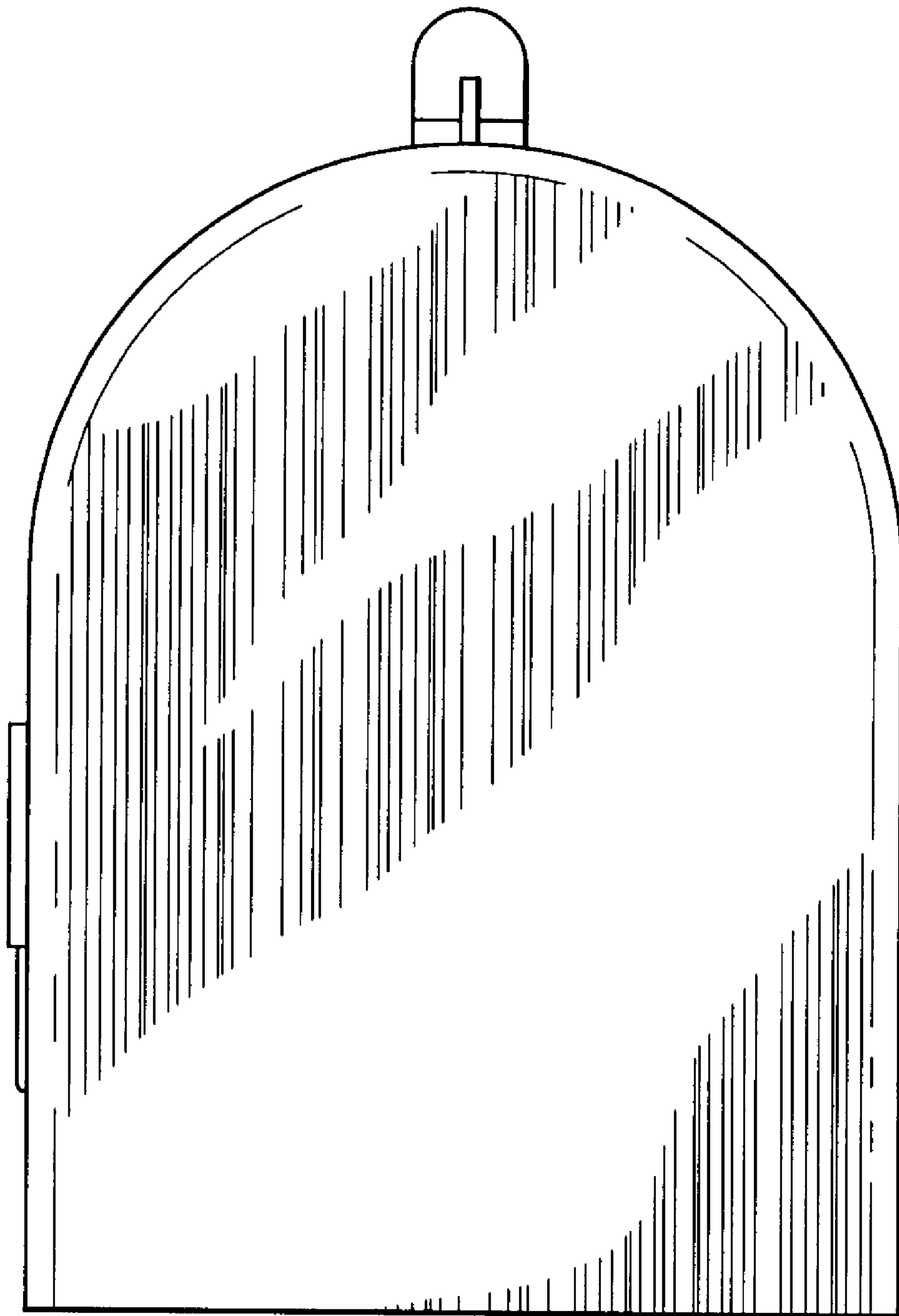


Fig. 6

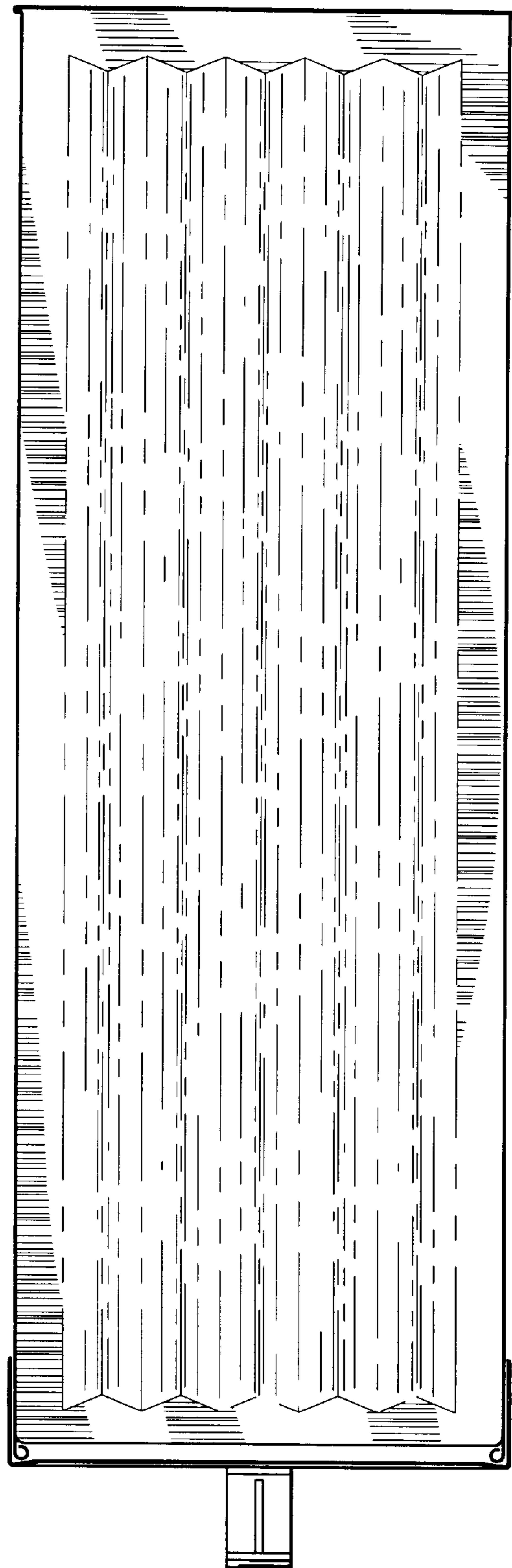


Fig. 7

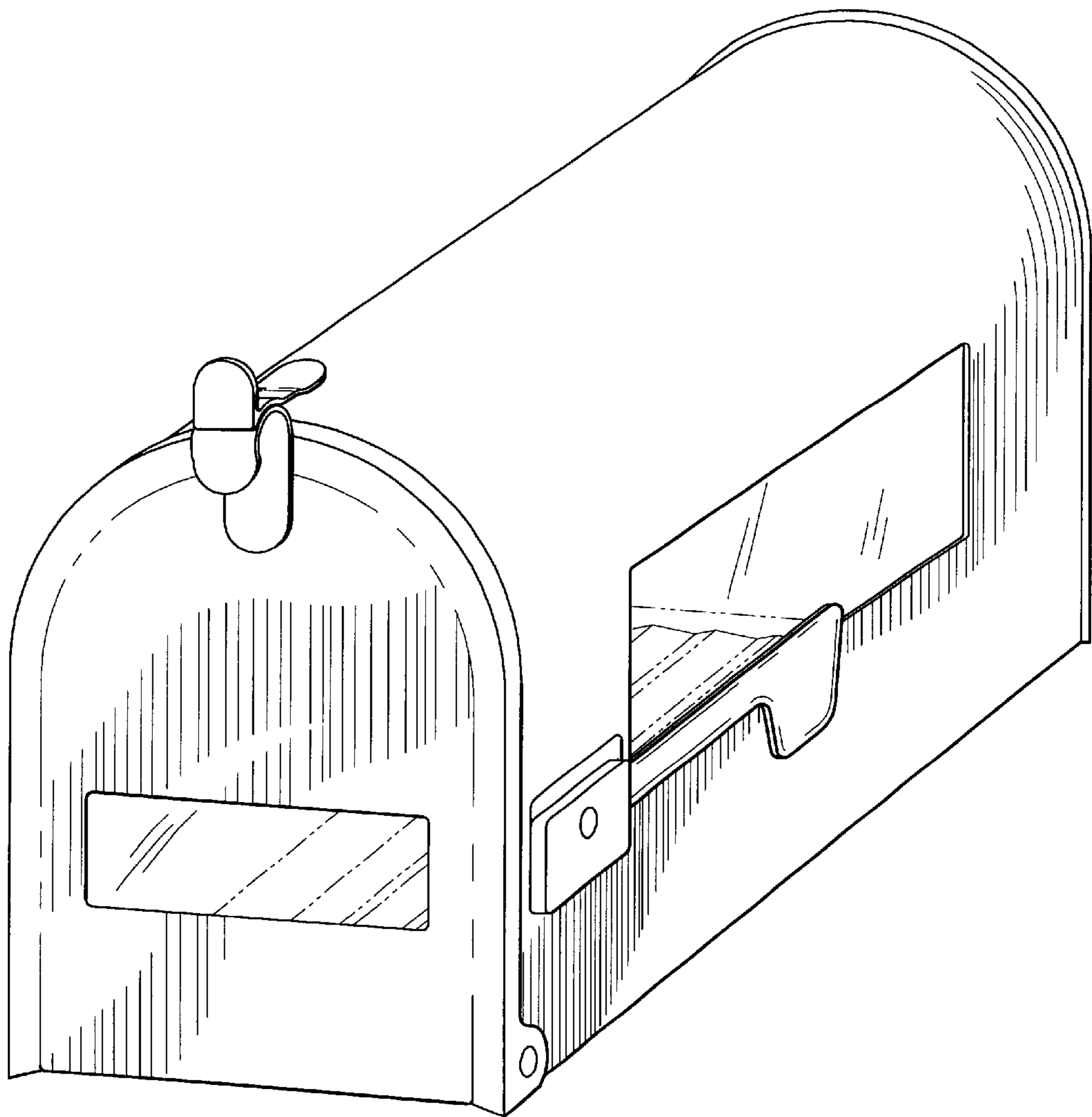


Fig. 8

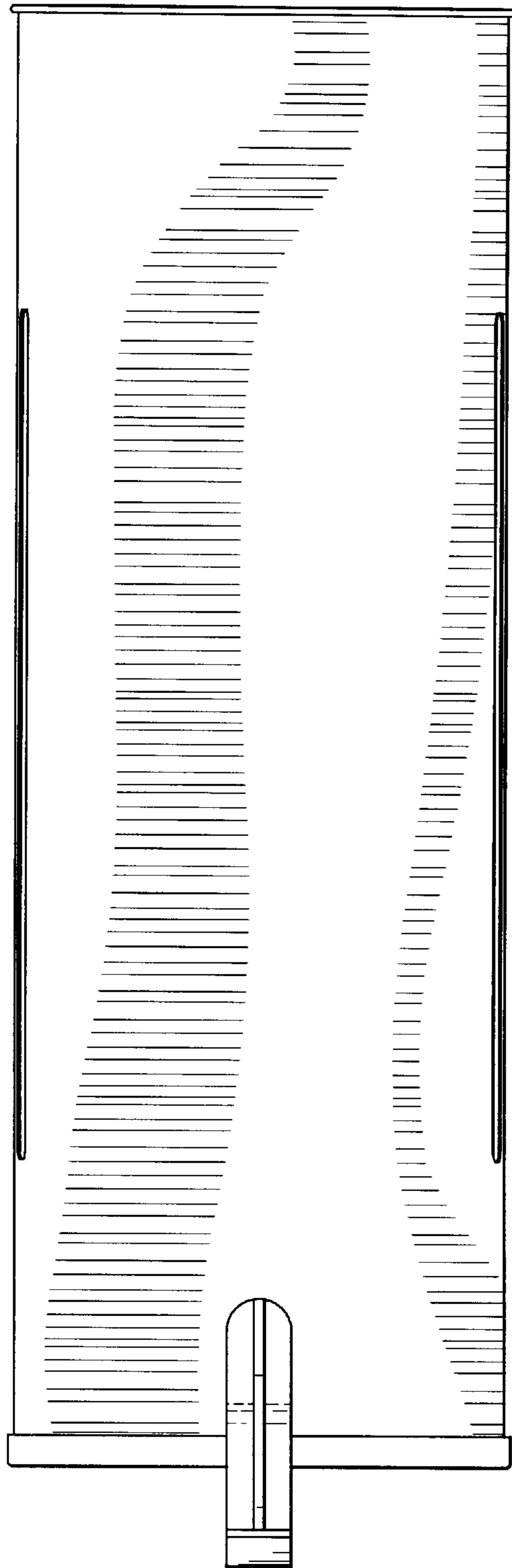


Fig. 9

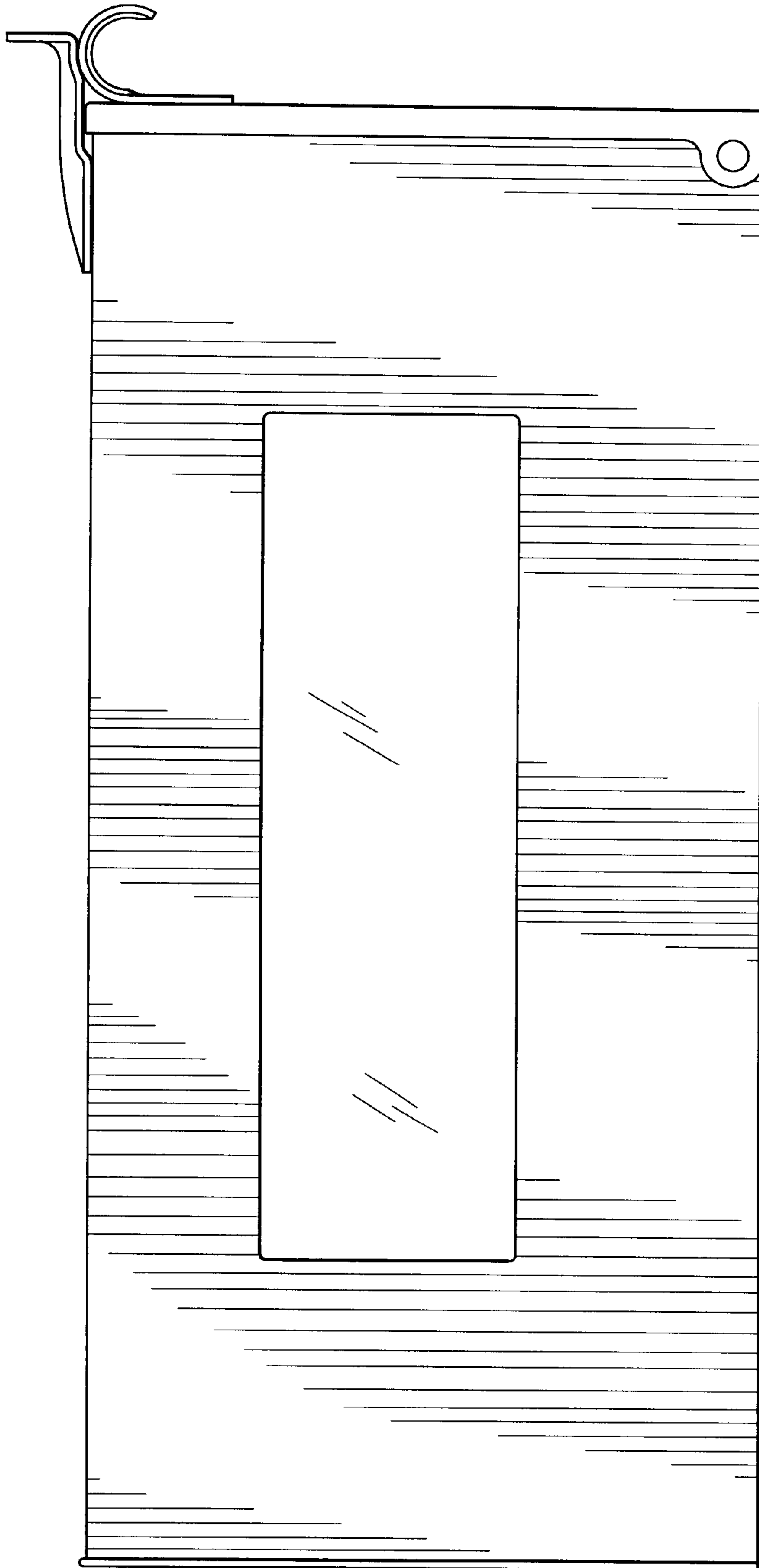


Fig. 10

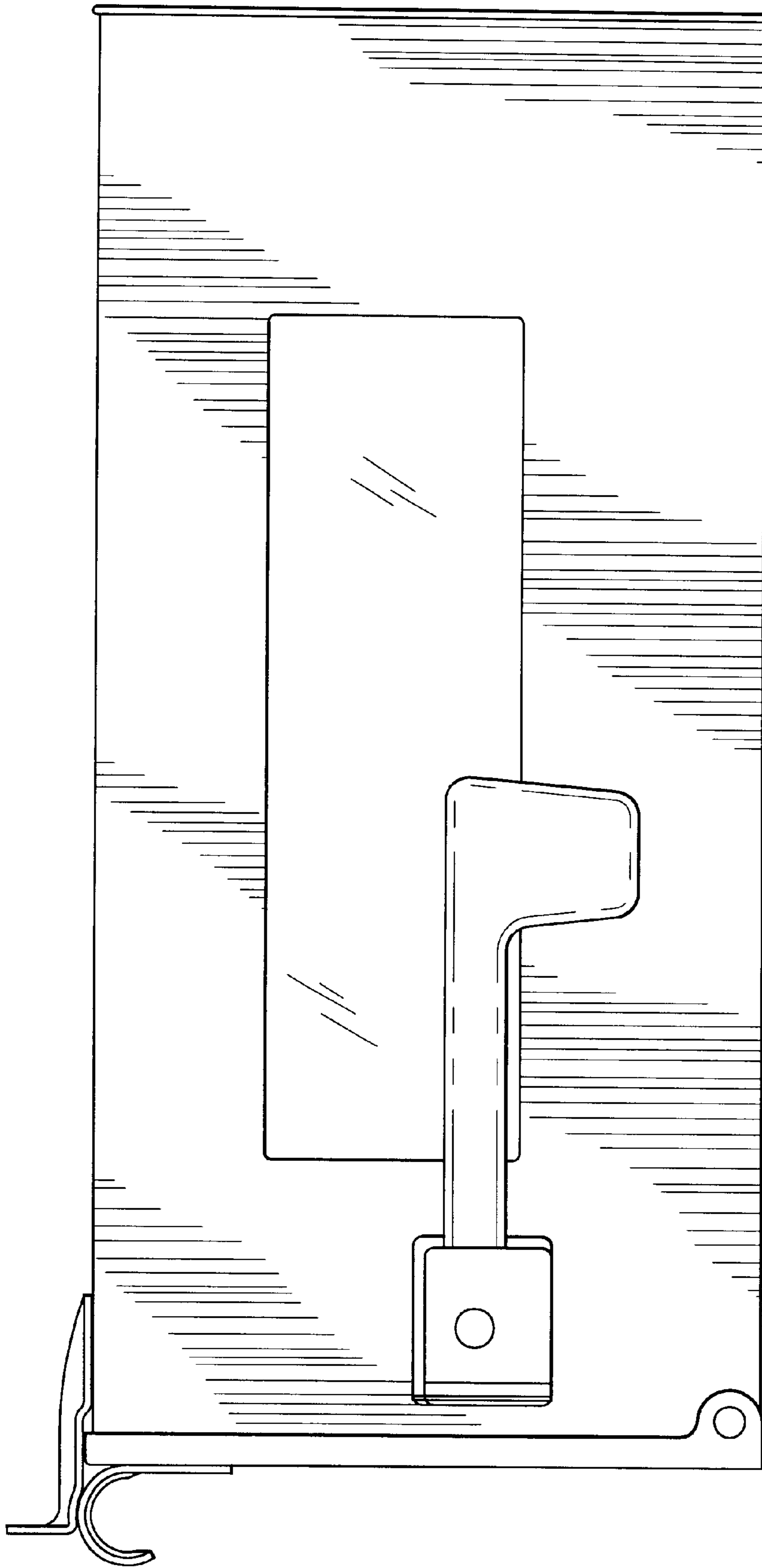


Fig. 11

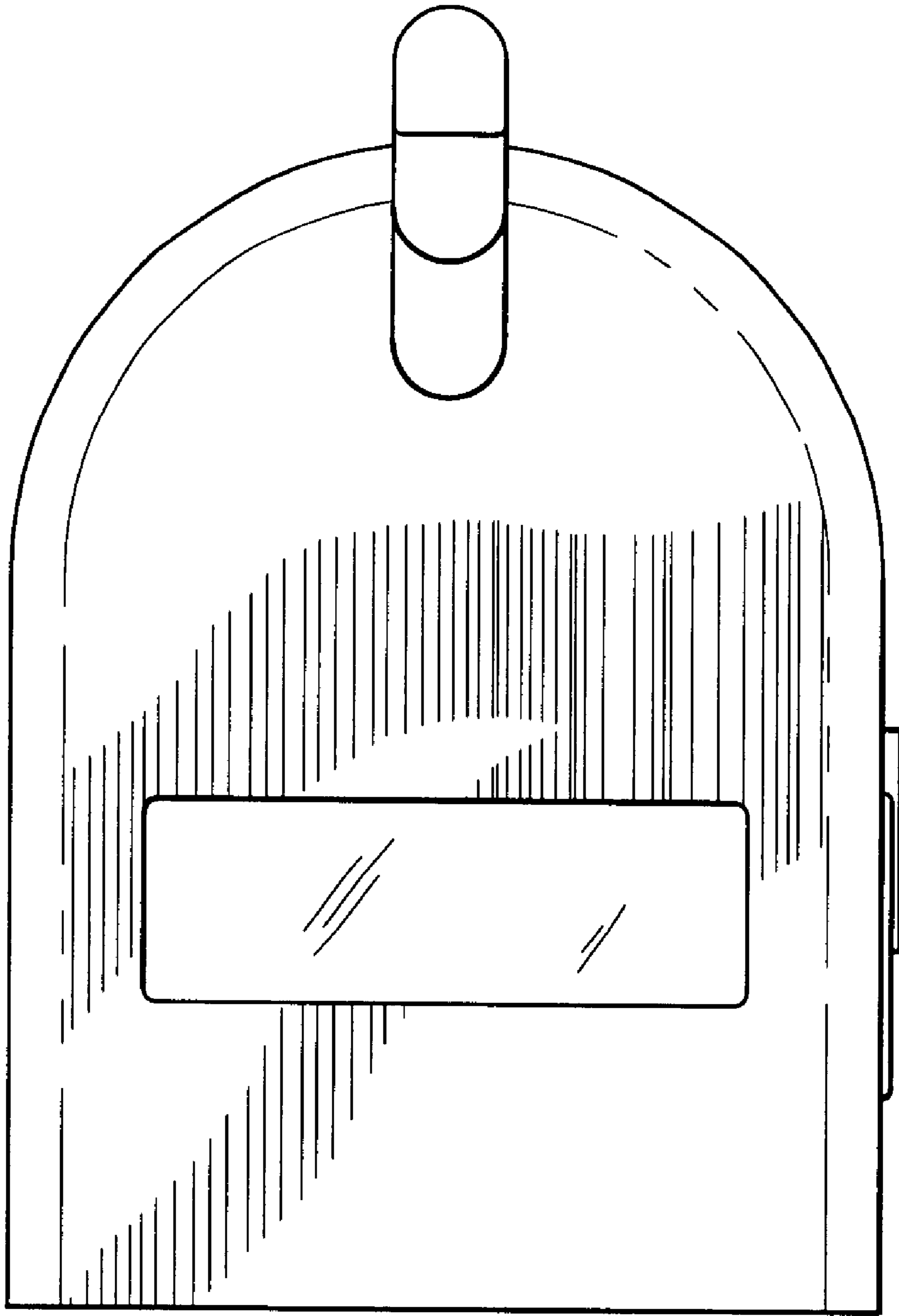


Fig. 12

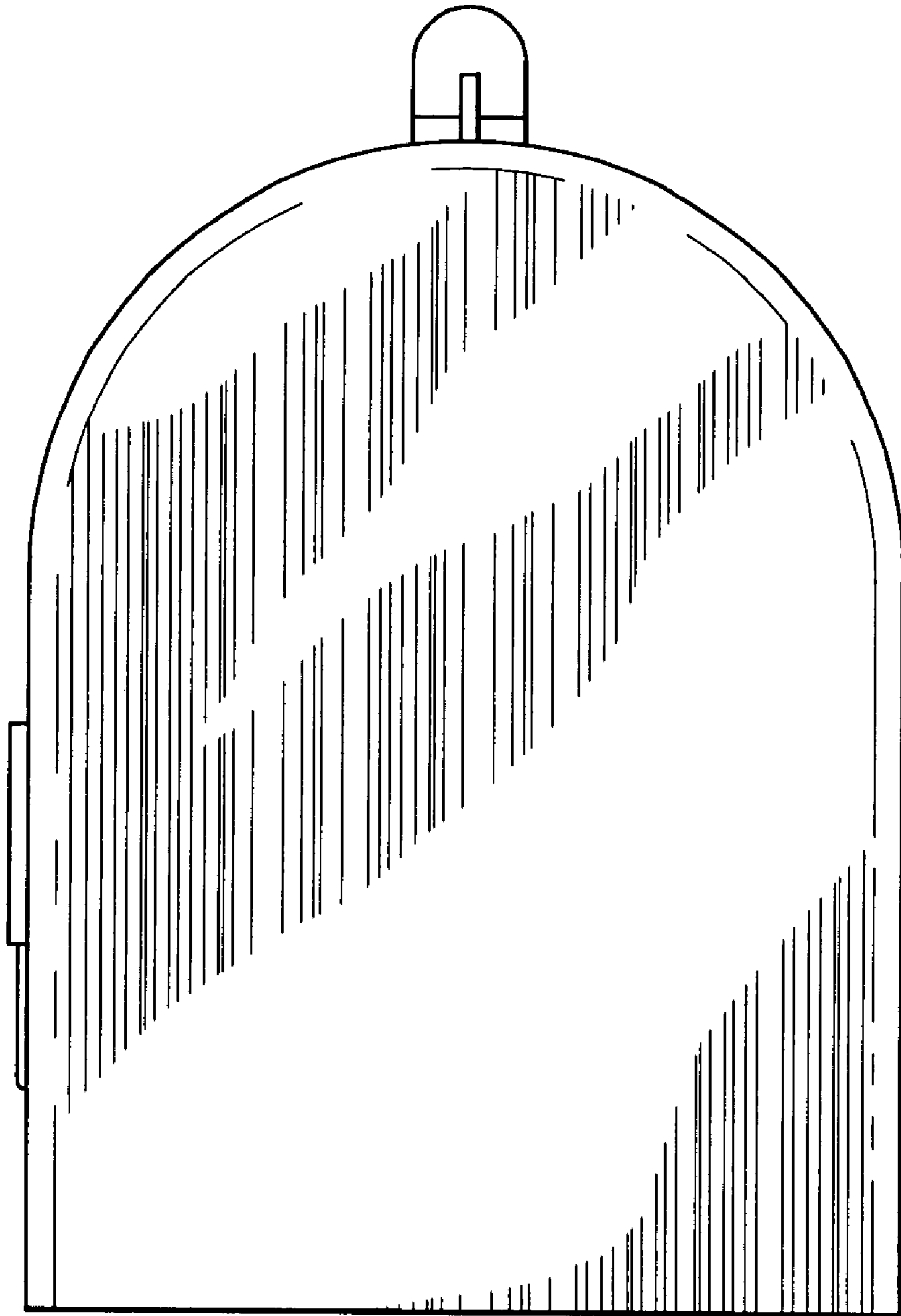


Fig. 13

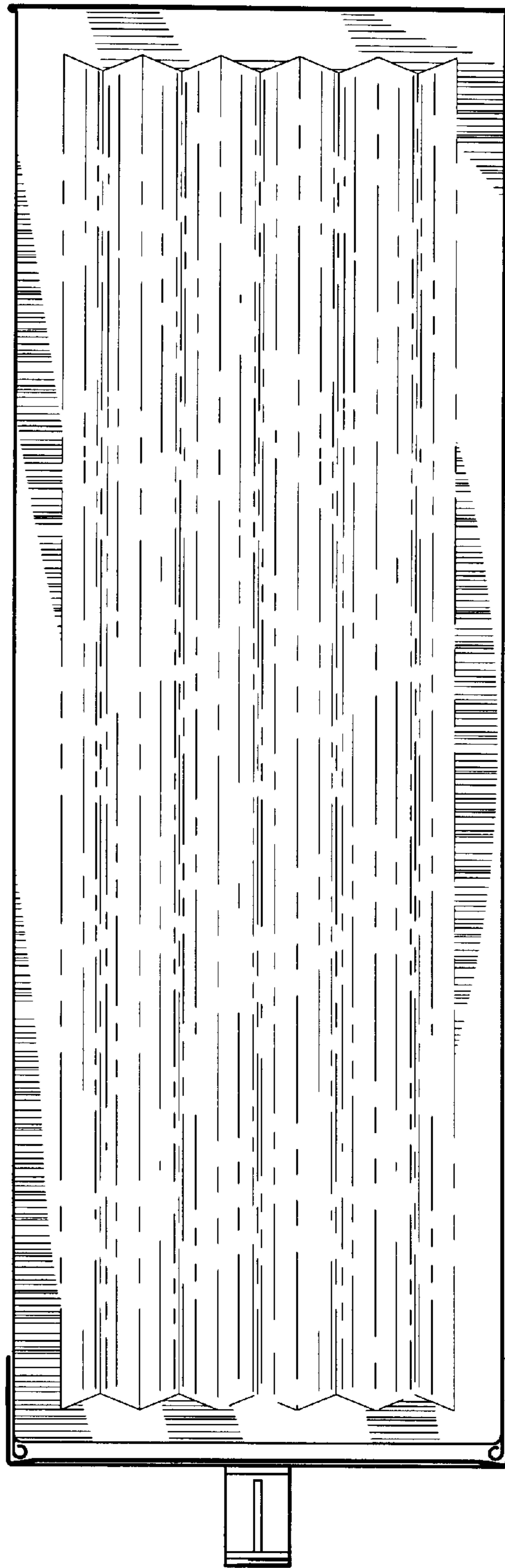


Fig. 14