



US00D482172S

(12) **United States Design Patent**
Johnson et al.

(10) **Patent No.:** **US D482,172 S**

(45) **Date of Patent:** **** Nov. 11, 2003**

(54) **SHOPPING CART HANDLE**

D462,496 S * 9/2002 Koppes et al. D34/27
D462,821 S * 9/2002 Measom D34/27

(75) Inventors: **Eric M. Johnson**, Stony Brook, NY
(US); **Jorg Schlieffers**, Setauket, NY
(US); **Alistair Hamilton**, Stony Brook,
NY (US)

* cited by examiner

Primary Examiner—Kay H. Chin

(74) *Attorney, Agent, or Firm*—Amin & Turocy, LLP

(73) Assignee: **Symbol Technologies, Inc.**, Holtsville,
NY (US)

(57) **CLAIM**

(**) Term: **14 Years**

The ornamental design of a shopping cart handle, as shown
and described.

(21) Appl. No.: **29/172,129**

DESCRIPTION

(22) Filed: **Dec. 5, 2002**

FIG. 1 is a perspective view of the shopping cart handle of
the present invention.

(51) **LOC (7) Cl.** **12-02**

(52) **U.S. Cl.** **D34/27**

FIG. 2 is a left side view of the shopping cart handle of FIG.
1, the right side view being a substantial mirror image
thereof.

(58) **Field of Search** D34/12-27; D12/133;
16/110.1-114.1, 406, 421, 429; 280/33.992;
340/5.91; D8/DIG. 7, DIG. 8, DIG. 10

FIG. 3 is a top view of the shopping cart handle of FIG. 1.
FIG. 4 is a bottom view of the shopping cart handle of FIG.
1.

(56) **References Cited**

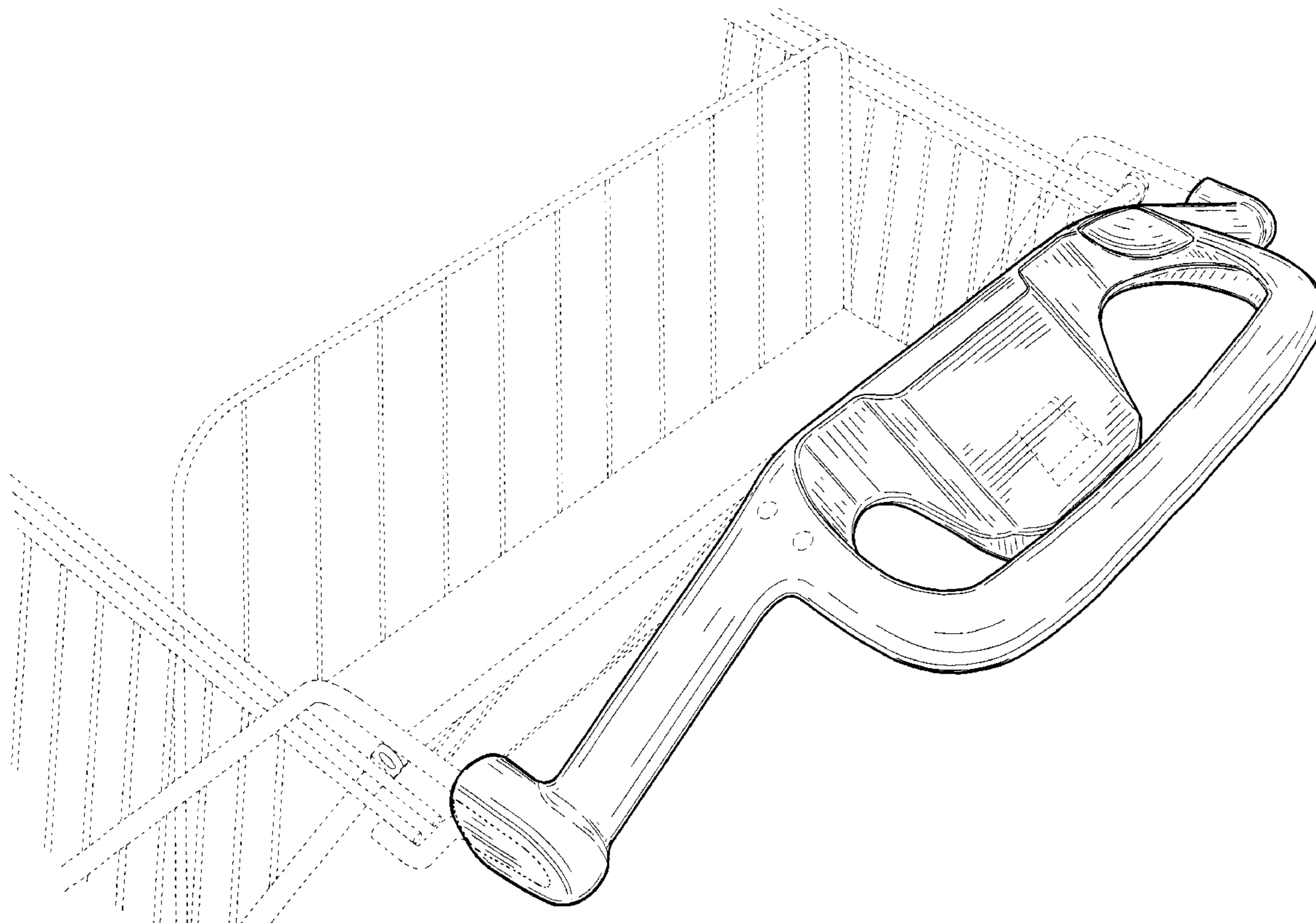
FIG. 5 is a front view of the shopping cart handle of FIG. 1;
and,

U.S. PATENT DOCUMENTS

FIG. 6 is a back view of the shopping cart handle of FIG. 1.
The broken lines shown in FIG. 1 are for illustrative
purposes only and form no part of the claimed design.

- D375,601 S * 11/1996 Myers D34/27
- D376,459 S * 12/1996 Myers D34/27
- D392,083 S * 3/1998 Wu D34/27
- 6,323,753 B2 * 11/2001 Begum 340/5.91

1 Claim, 4 Drawing Sheets



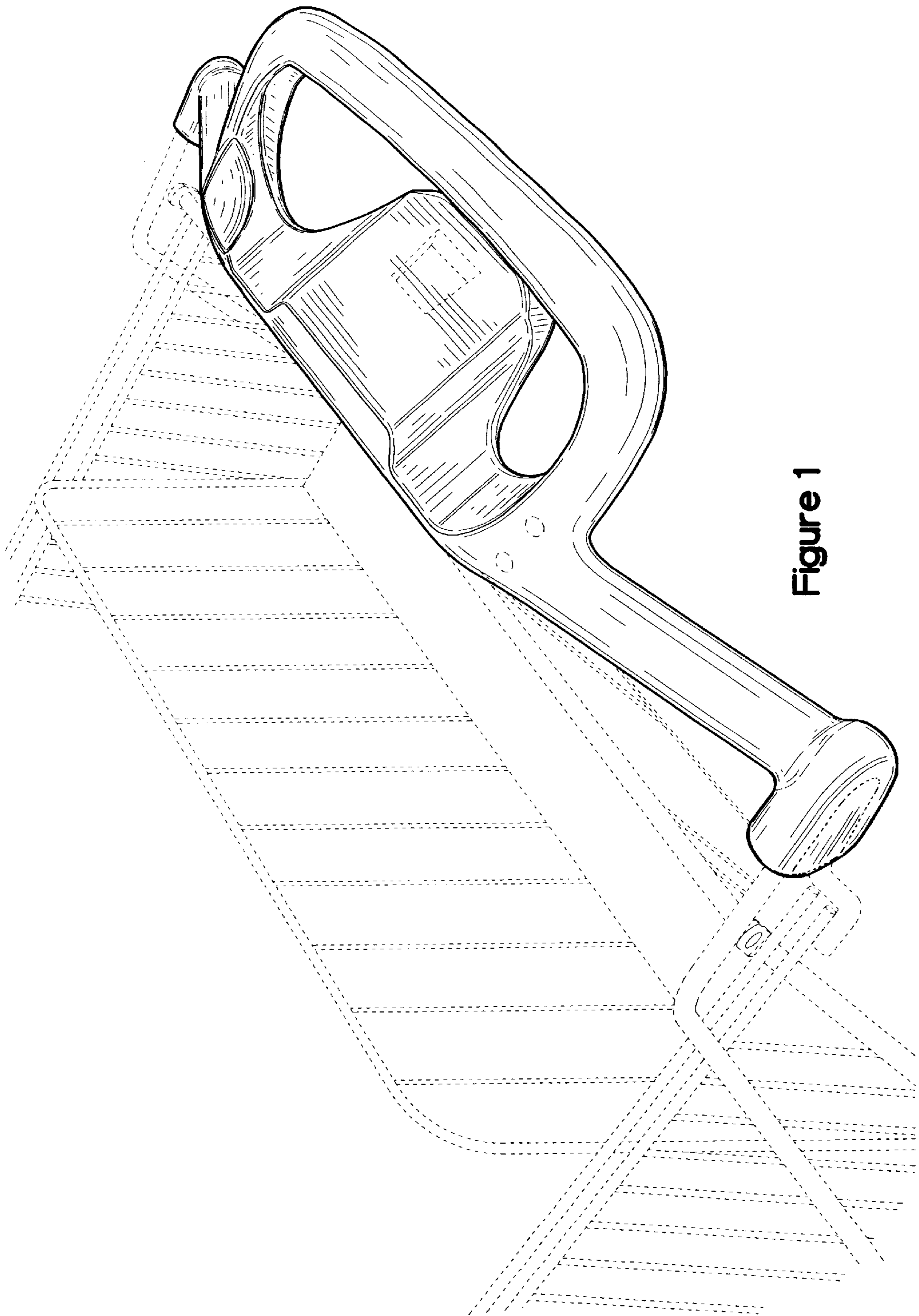


Figure 1

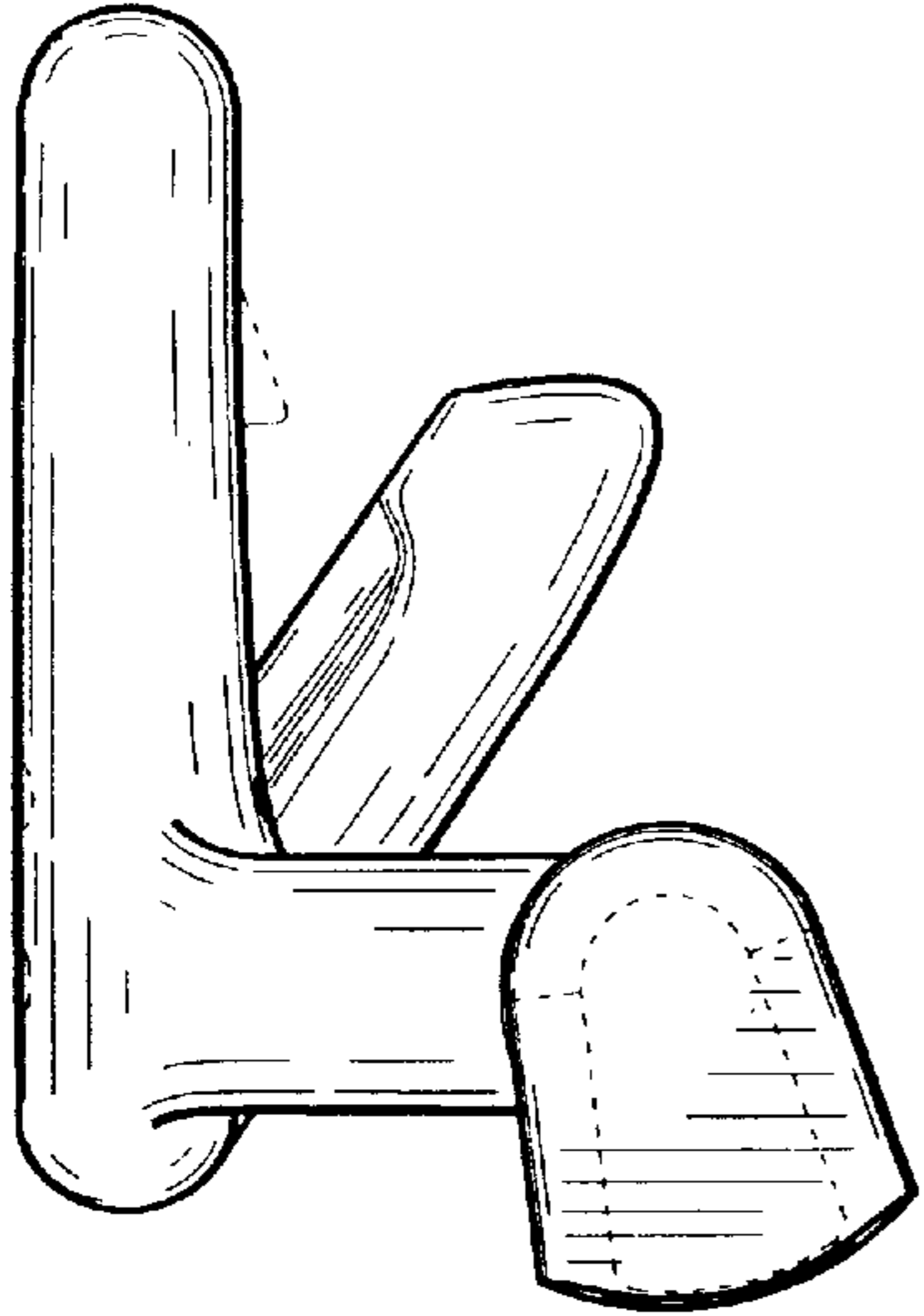


Figure 2

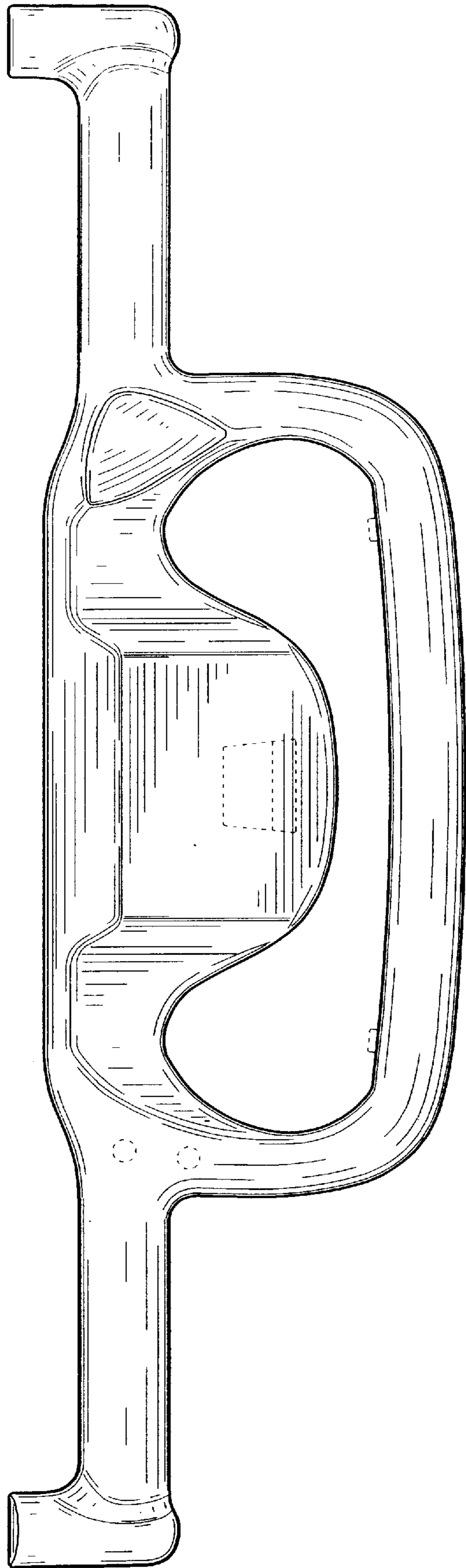


Figure 3

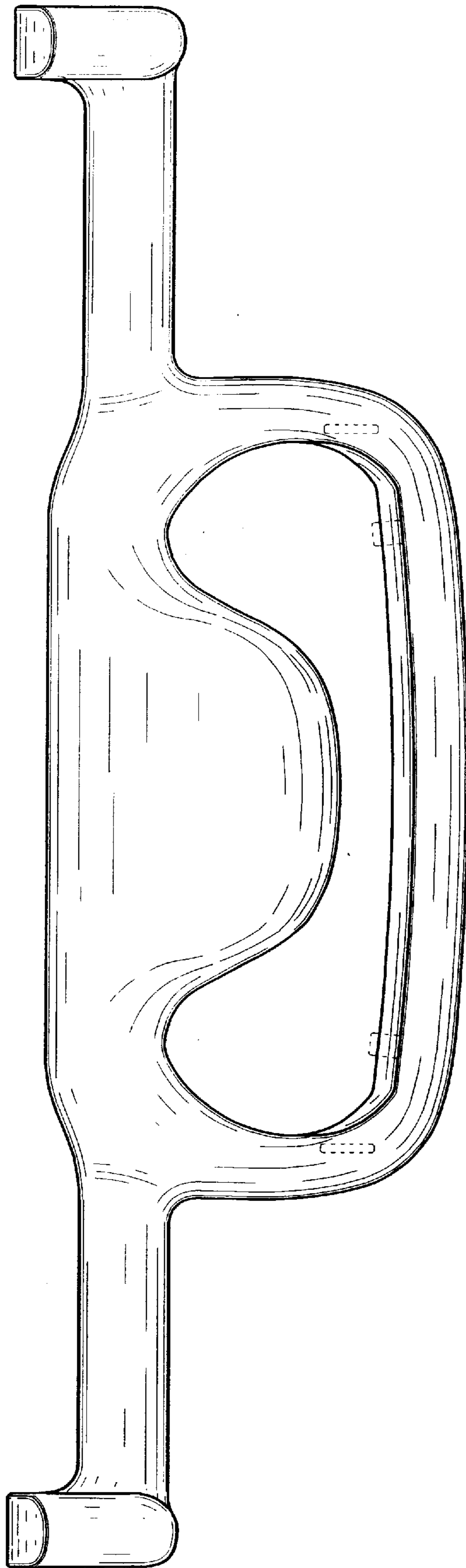


Figure 4

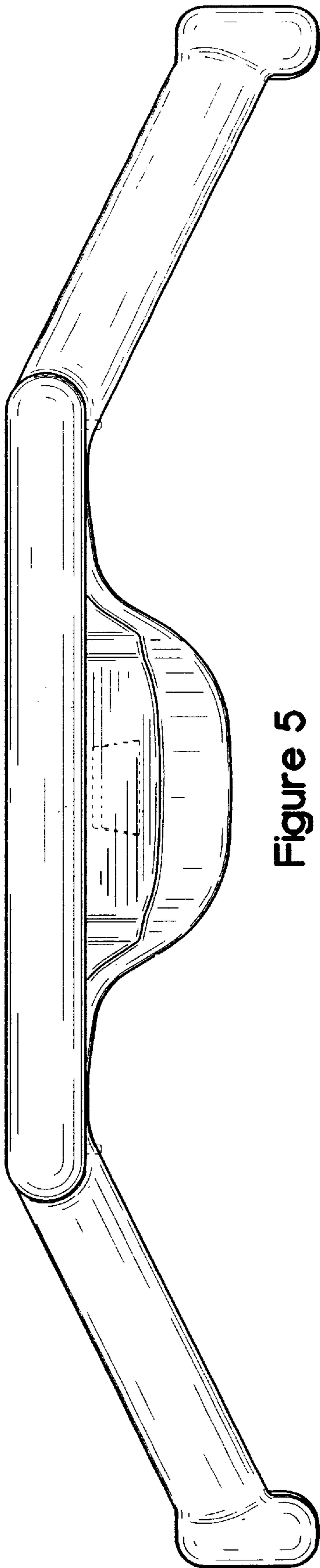


Figure 5

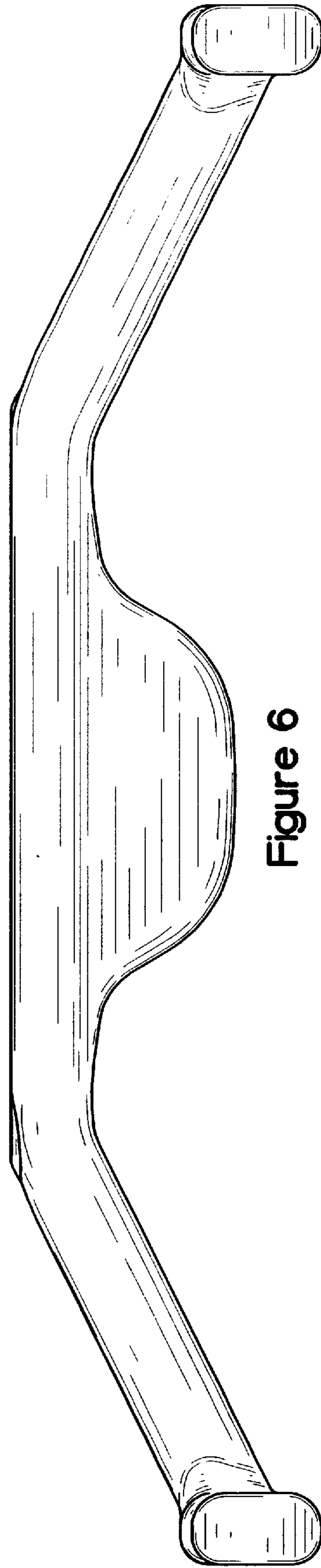


Figure 6