



US00D482171S

(12) **United States Design Patent**
Vui et al.

(10) **Patent No.:** **US D482,171 S**

(45) **Date of Patent:** **** Nov. 11, 2003**

(54) **DRILL CONTAINER**

(75) Inventors: **Kevin Lai Kok Vui**, Shatin (HK);
Charles M. Wacker, Belton, SC (US)

(73) Assignee: **One World Technologies Limited**,
Hamilton (BM)

(**) Term: **14 Years**

(21) Appl. No.: **29/172,580**

(22) Filed: **Dec. 13, 2002**

(51) **LOC (7) Cl.** **12-02**

(52) **U.S. Cl.** **D34/25; D34/19**

(58) **Field of Search** **D34/12-27; D15/151,**
D15/199; 280/79.11, 79.3, 47.35; 312/31,
236

(56) **References Cited**

U.S. PATENT DOCUMENTS

D311,622 S	10/1990	Swig	D34/25
D327,353 S	6/1992	Shetterly	D34/25
D365,583 S	* 12/1995	Viken	D15/151
D382,997 S	9/1997	Carr et al.	D3/274
D404,916 S	2/1999	Dickinson et al.	D3/281

D437,484 S	2/2001	Tiramani et al.	D3/279
D440,369 S	* 4/2001	LaFollette et al.	D34/19
D442,756 S	* 5/2001	Jarvis et al.	D34/19
D457,704 S	* 5/2002	Fiscus et al.	D34/20
D468,071 S	* 12/2002	Le et al.	D34/19

* cited by examiner

Primary Examiner—Kay H. Chin

(74) *Attorney, Agent, or Firm*—Andrew Y. Pang; Nexsen
Pruet Jacobs & Pollard, LLC

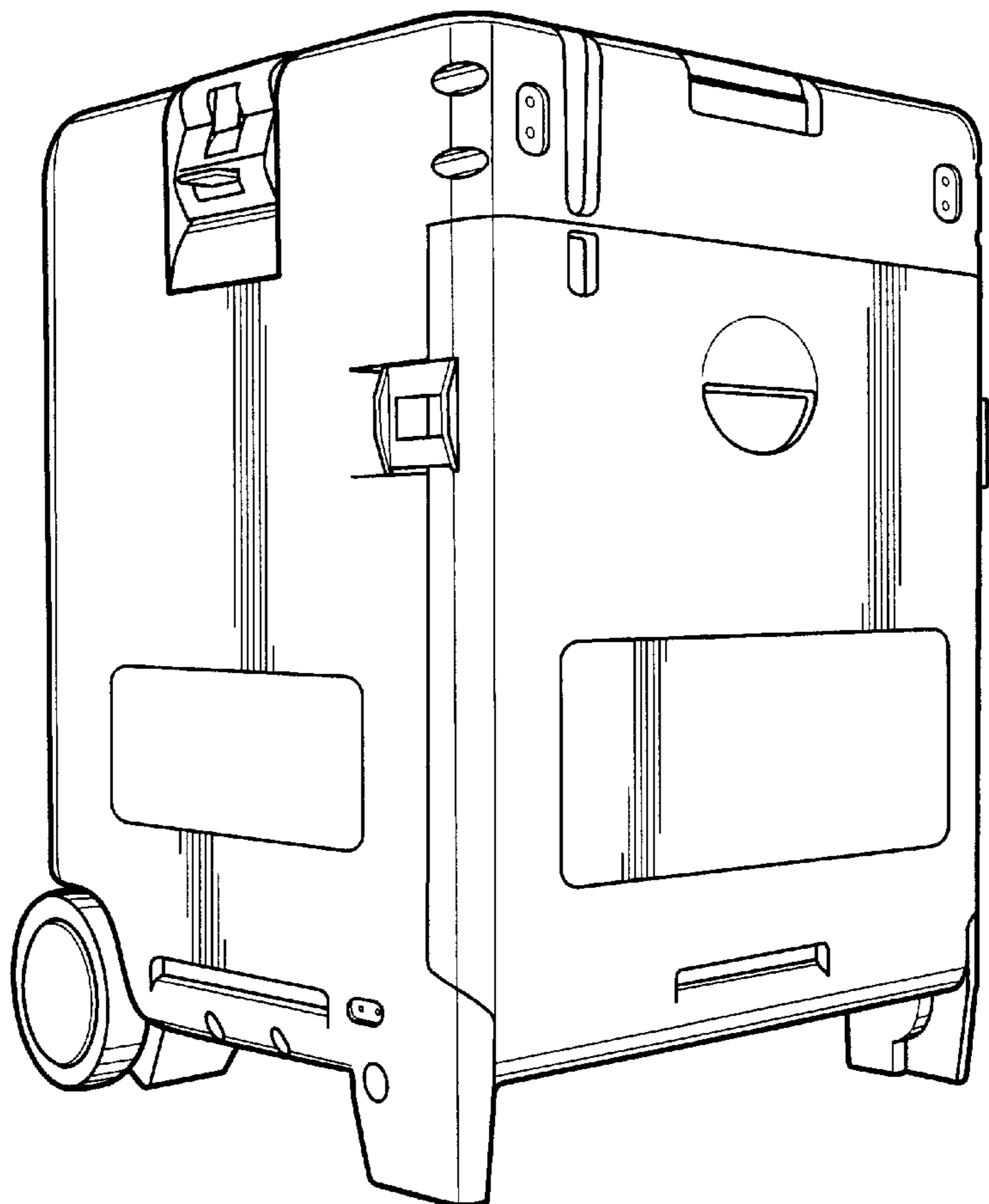
(57) **CLAIM**

The ornamental design for a drill container, as shown and described.

DESCRIPTION

FIG. 1 is a perspective view of the drill container of the present invention;
FIG. 2 is a right side elevational view thereof;
FIG. 3 is a left side elevational view thereof;
FIG. 4 is a front elevational view thereof;
FIG. 5 is a rear elevational view thereof;
FIG. 6 is a bottom view thereof; and,
FIG. 7 is a top view thereof.

1 Claim, 4 Drawing Sheets



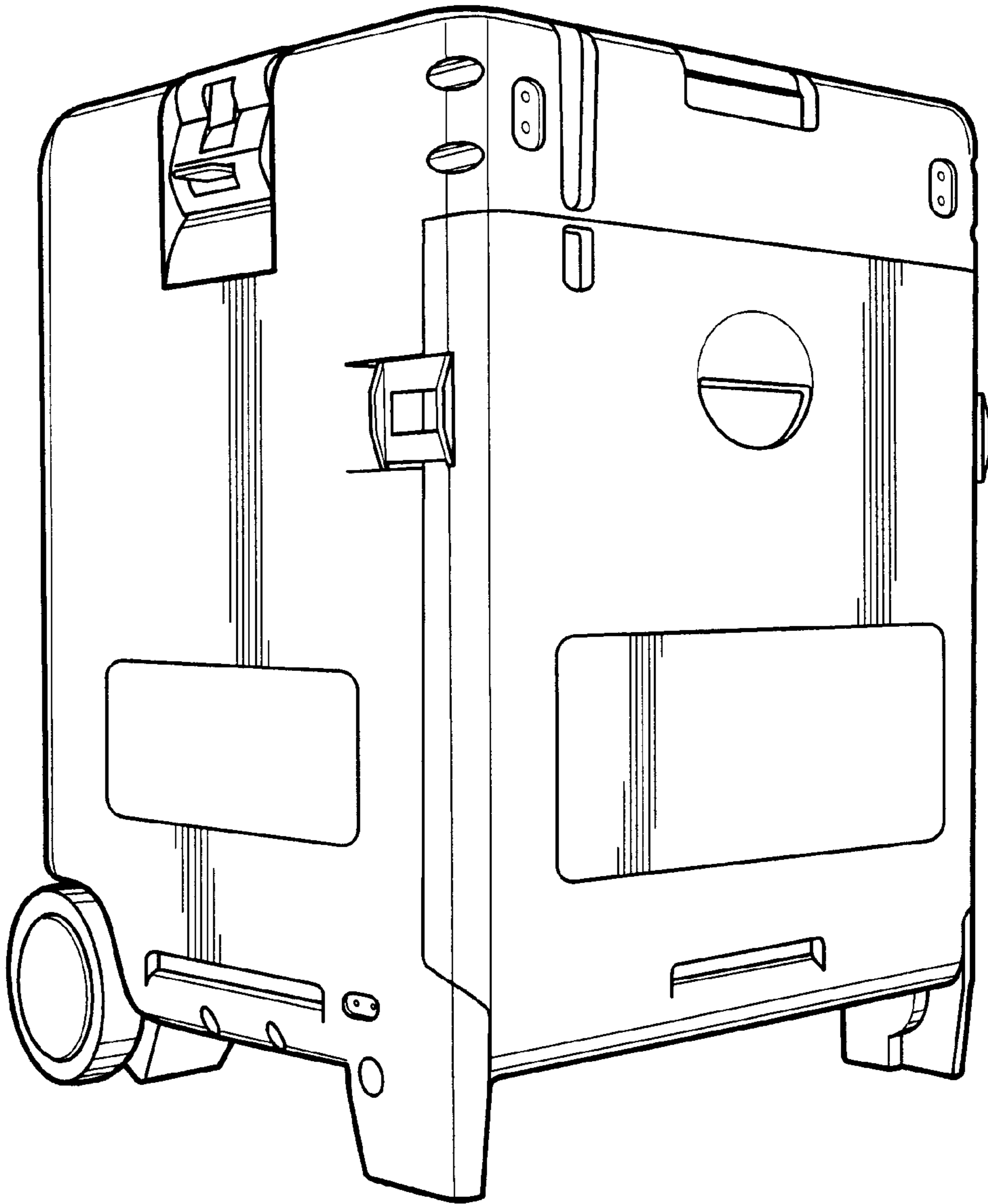


FIG. 1

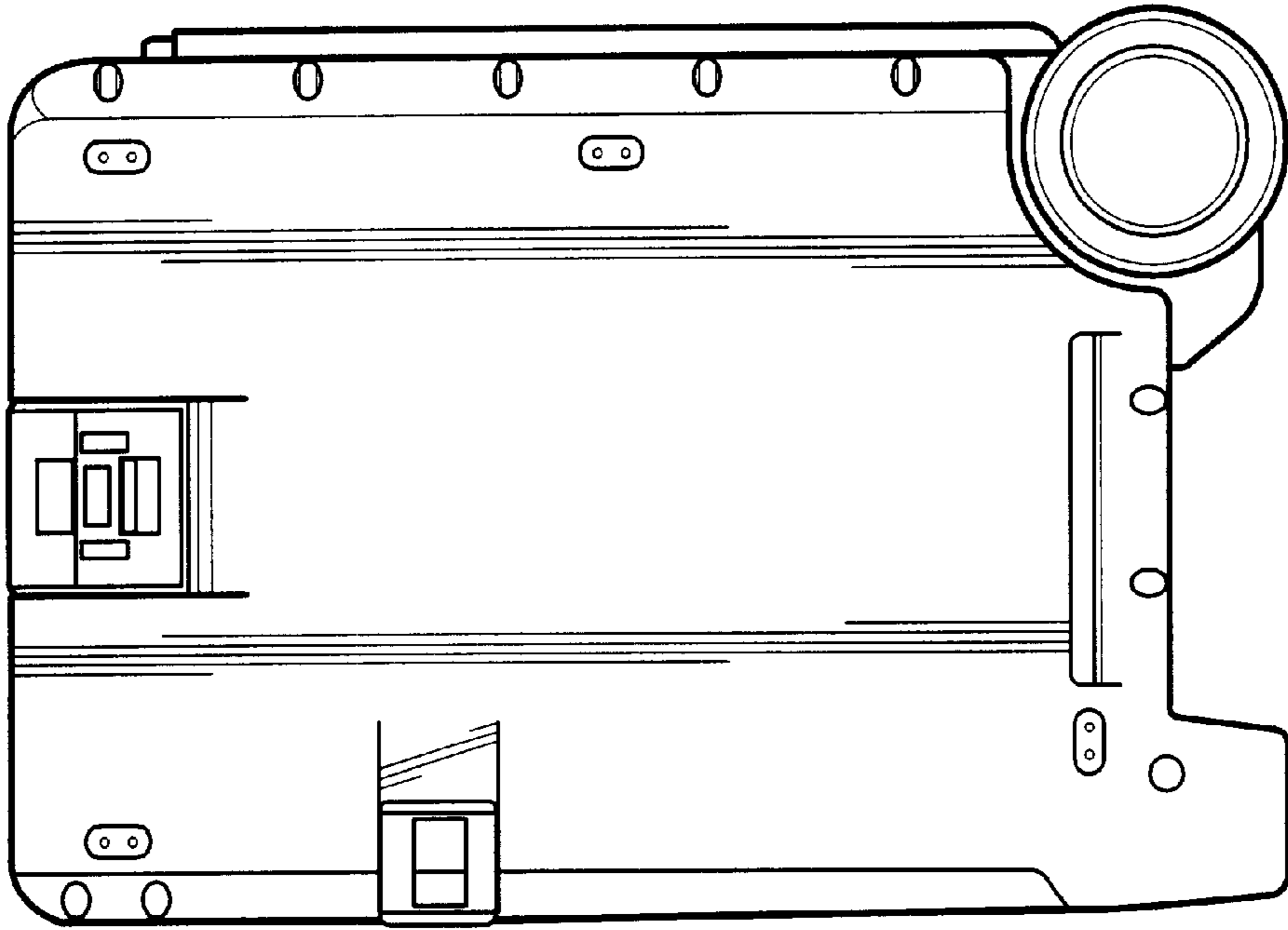


FIG. 3

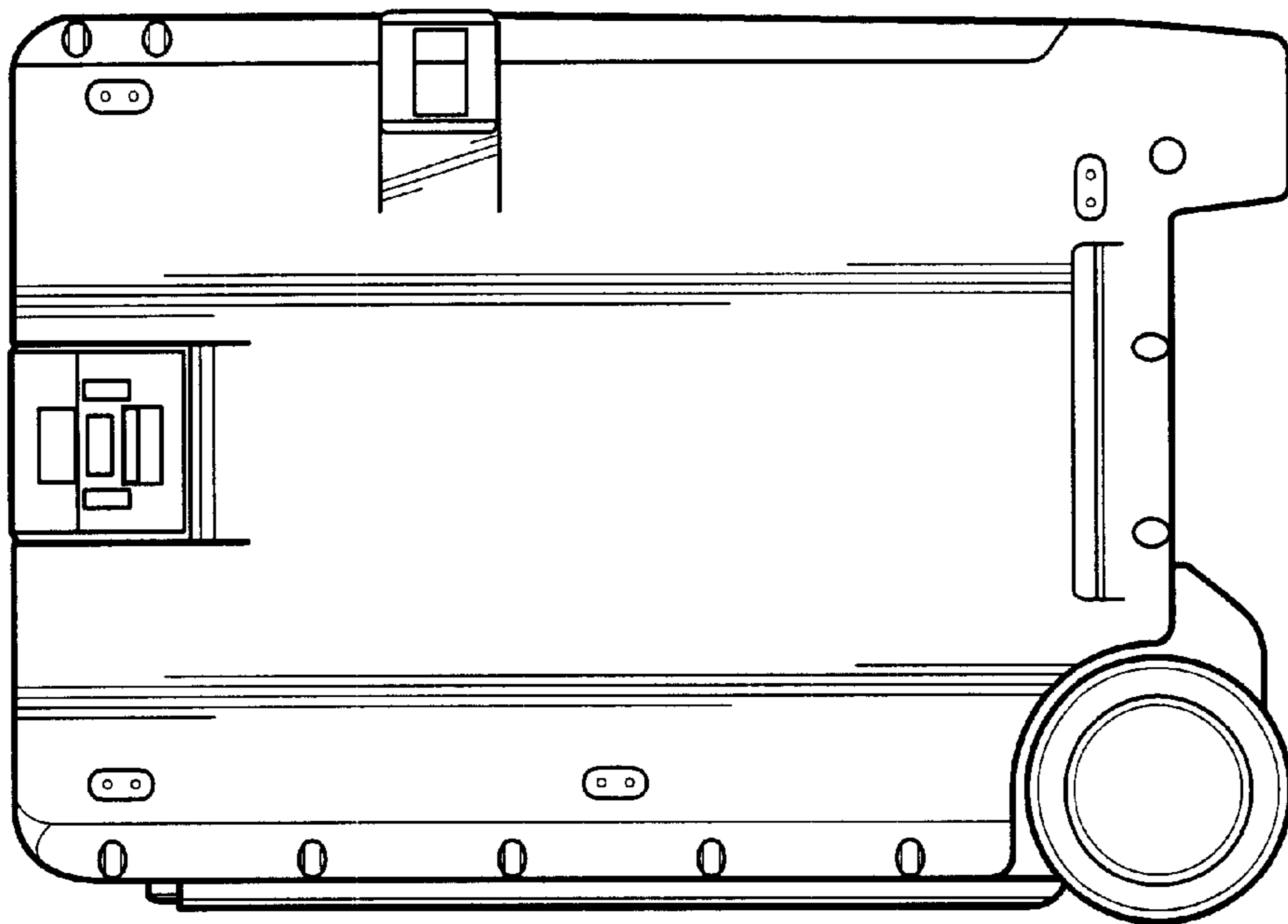


FIG. 2

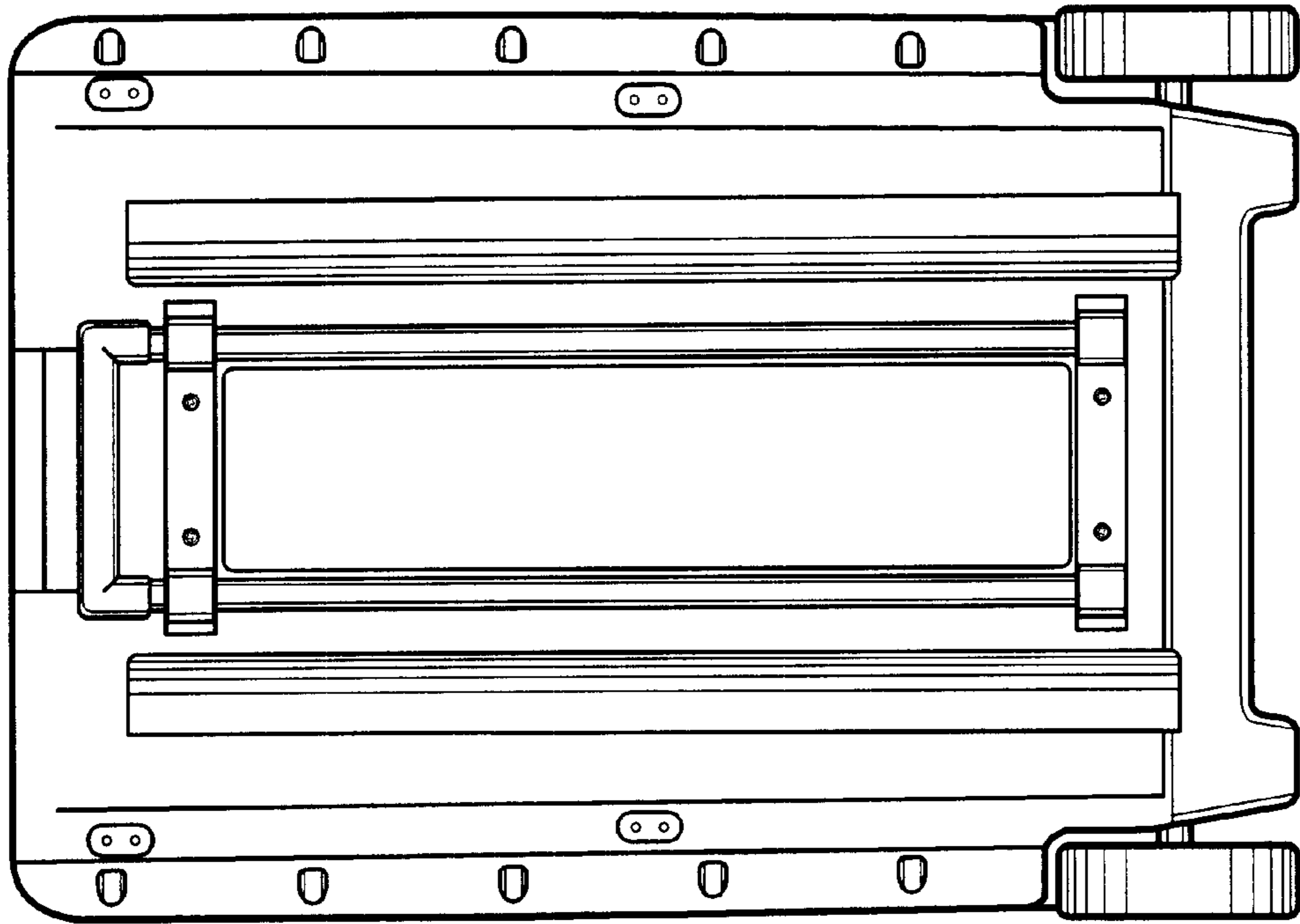


FIG. 5

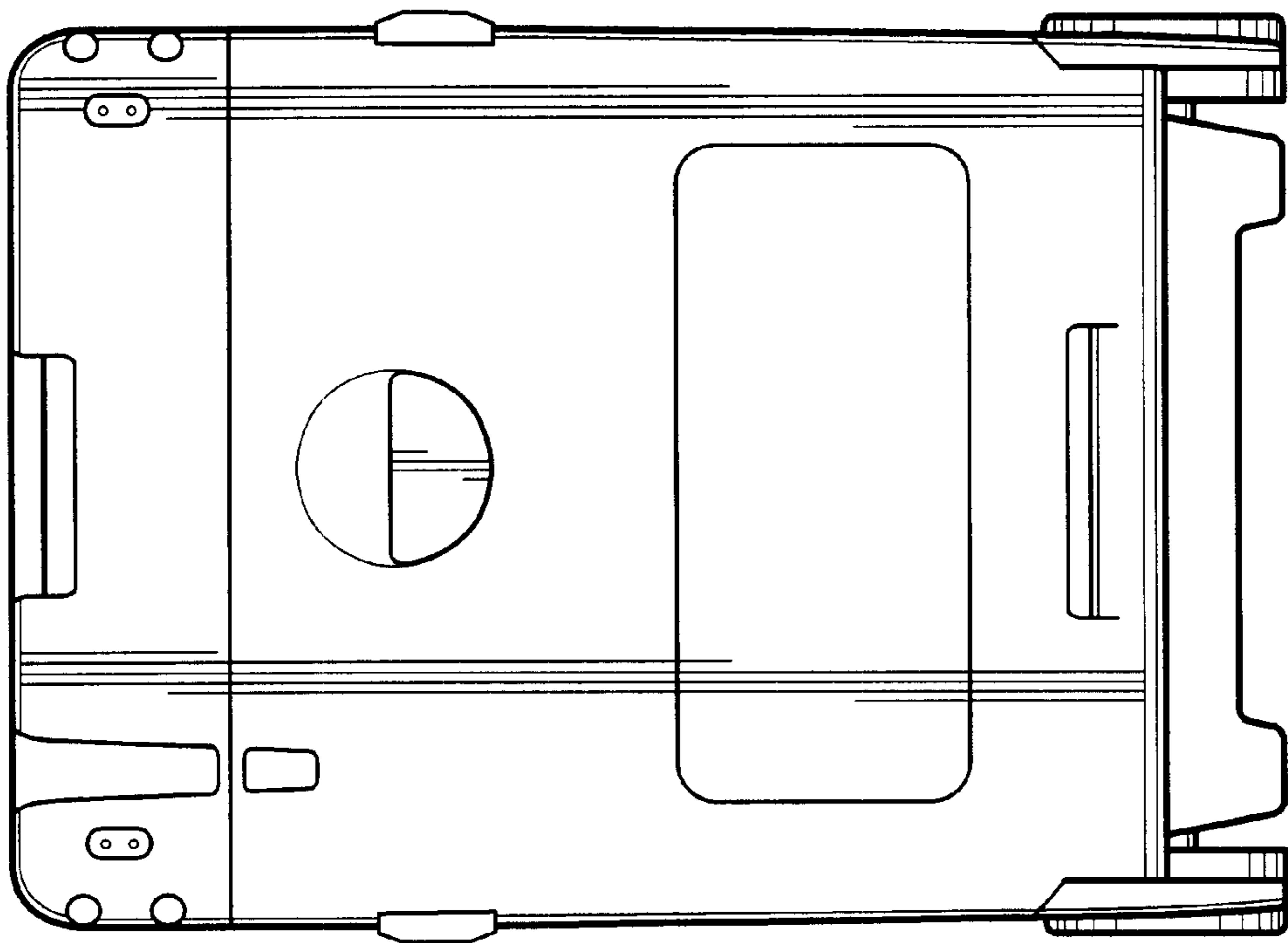


FIG. 4

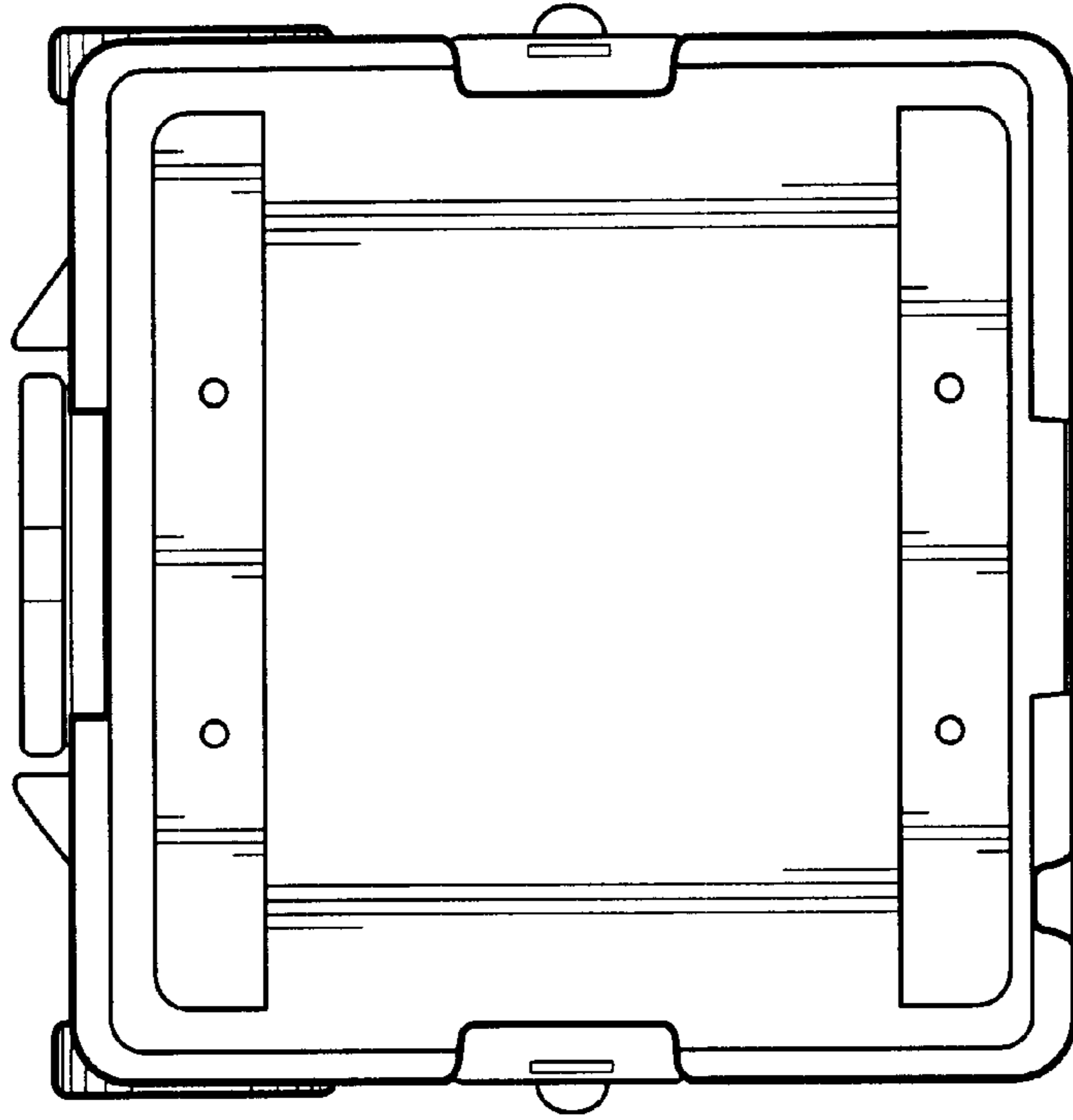


FIG. 7

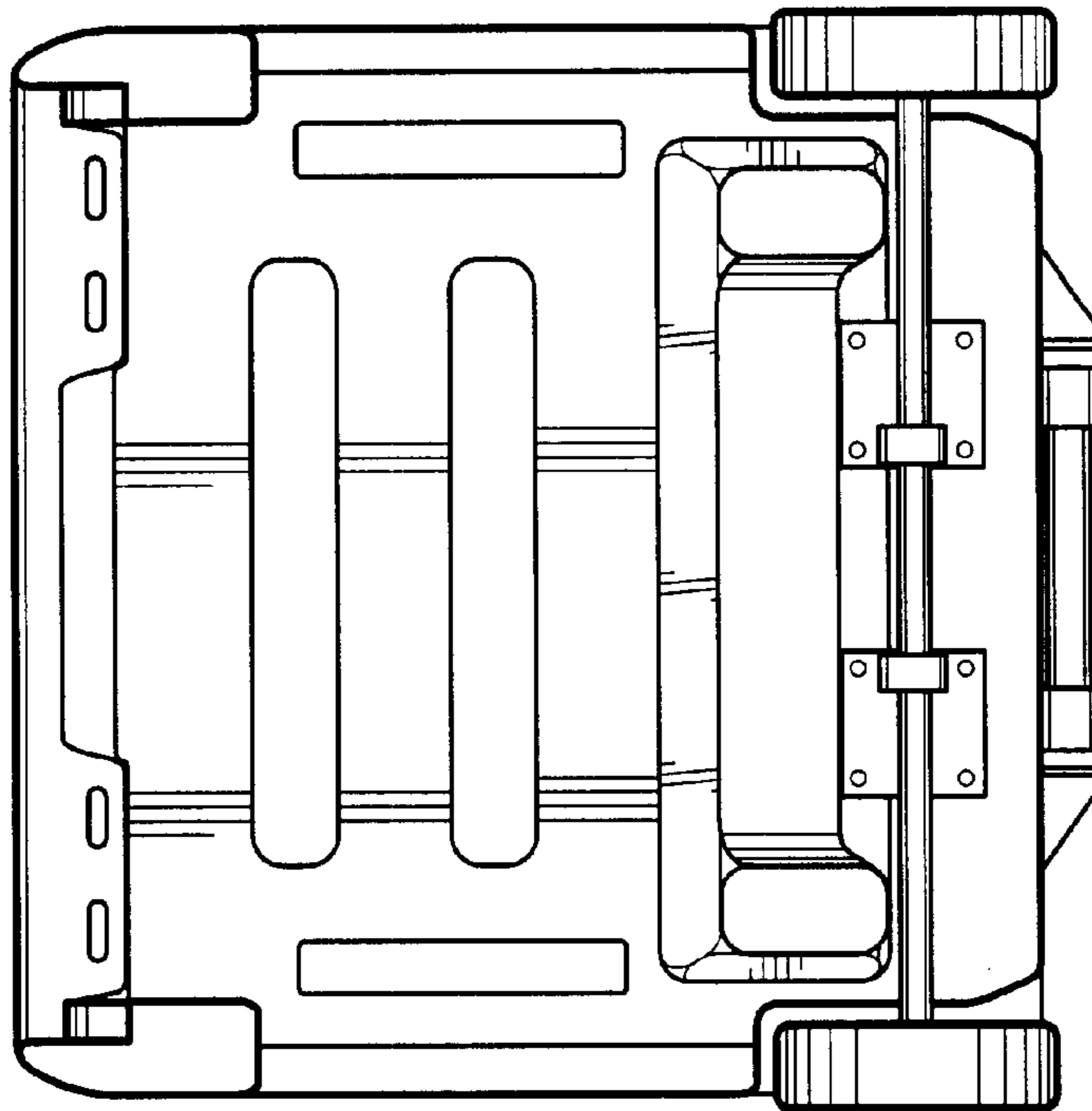


FIG. 6