



US00D482168S

(12) **United States Design Patent**  
**Warburton**

(10) **Patent No.:** **US D482,168 S**

(45) **Date of Patent:** **\*\* Nov. 11, 2003**

(54) **SUCTION NOZZLE FOR VACUUM CLEANER**

(75) **Inventor:** **Graeme Antony Warburton, Hoogland (NL)**

(73) **Assignee:** **Koninklijke Philips Electronics N.V., Eindhoven (NL)**

(\*\*) **Term:** **14 Years**

(21) **Appl. No.:** **29/174,200**

(22) **Filed:** **Jan. 13, 2003**

(30) **Foreign Application Priority Data**

Aug. 5, 2002 (WO) ..... DMA/005 803

(51) **LOC (7) Cl.** ..... **15-05**

(52) **U.S. Cl.** ..... **D32/32**

(58) **Field of Search** ..... D32/31-33, 21,  
D32/22, 23; 15/415.1-422.1, 321-322,  
400, 414

(56) **References Cited**

**U.S. PATENT DOCUMENTS**

D333,539 S \* 2/1993 Kramer et al. .... D32/32

D381,144 S \* 7/1997 Moine et al. .... D32/32  
D392,780 S \* 3/1998 Holsten et al. .... D32/33  
D424,766 S \* 5/2000 Martin ..... D32/32  
D453,247 S \* 1/2002 Lee ..... D32/32  
D468,499 S \* 1/2003 Kitts ..... D32/32  
6,536,076 B2 \* 3/2003 Scian et al. .... 15/415.1  
6,584,640 B2 \* 7/2003 Vanderlinden ..... 15/418

\* cited by examiner

*Primary Examiner*—Ruth McInroy

(74) *Attorney, Agent, or Firm*—Ernestine C. Bartlett

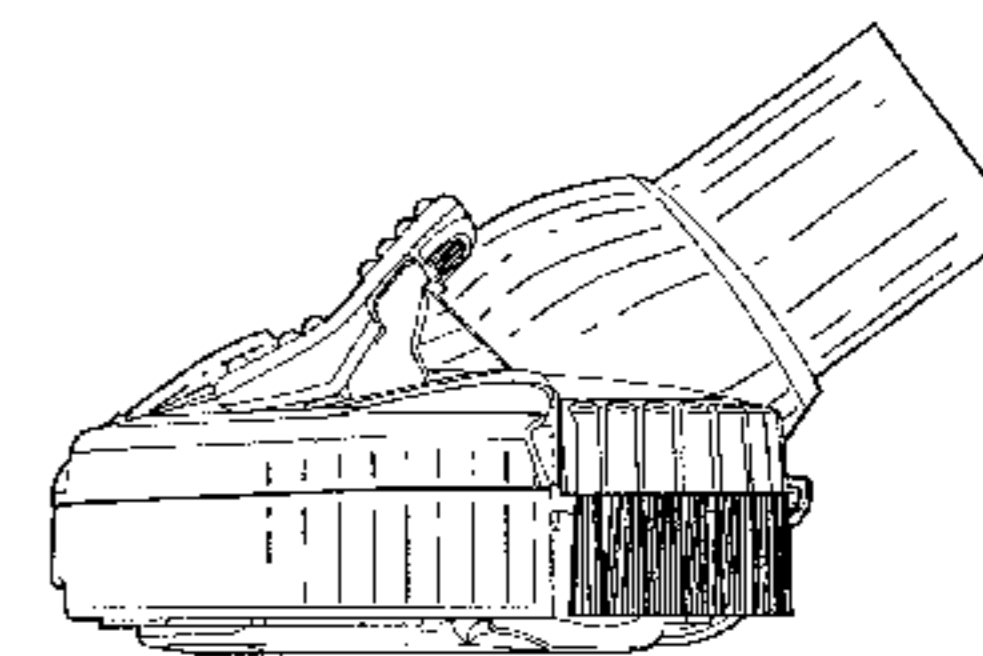
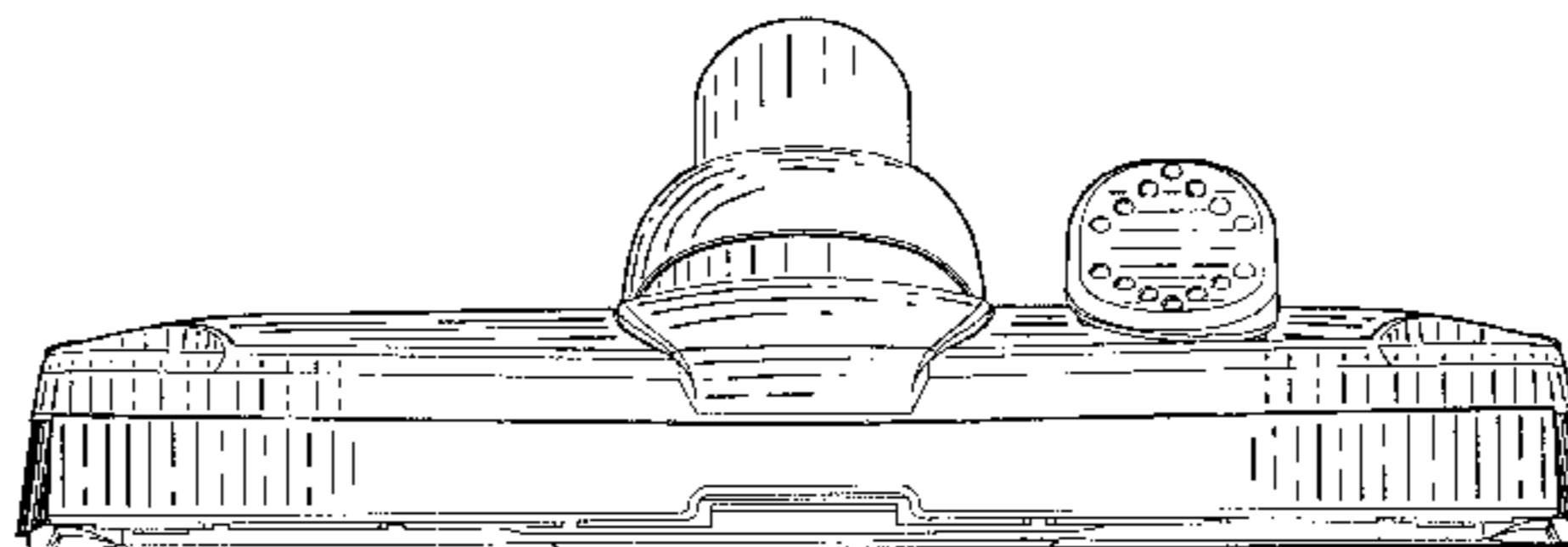
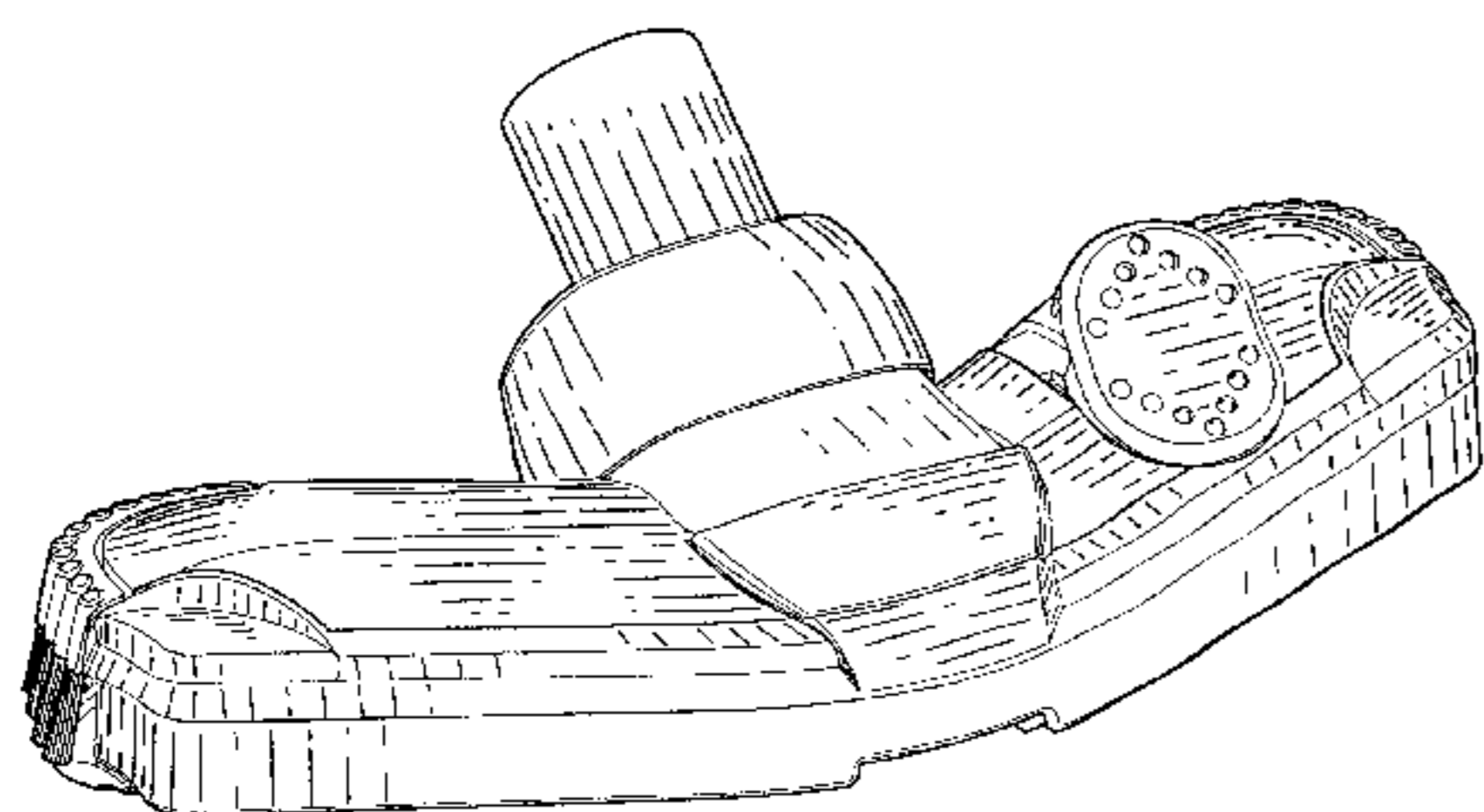
(57) **CLAIM**

The ornamental design for a suction nozzle for vacuum cleaner, as shown.

**DESCRIPTION**

FIG. 1 is a perspective view of a suction nozzle for vacuum cleaner showing my new design;  
FIG. 2 is a front elevational view thereof;  
FIG. 3 is a rear elevational view thereof;  
FIG. 4 is a left side elevational view thereof;  
FIG. 5 is a right side elevational view thereof;  
FIG. 6 is a top plan view thereof; and,  
FIG. 7 is a bottom plan view thereof.

**1 Claim, 4 Drawing Sheets**



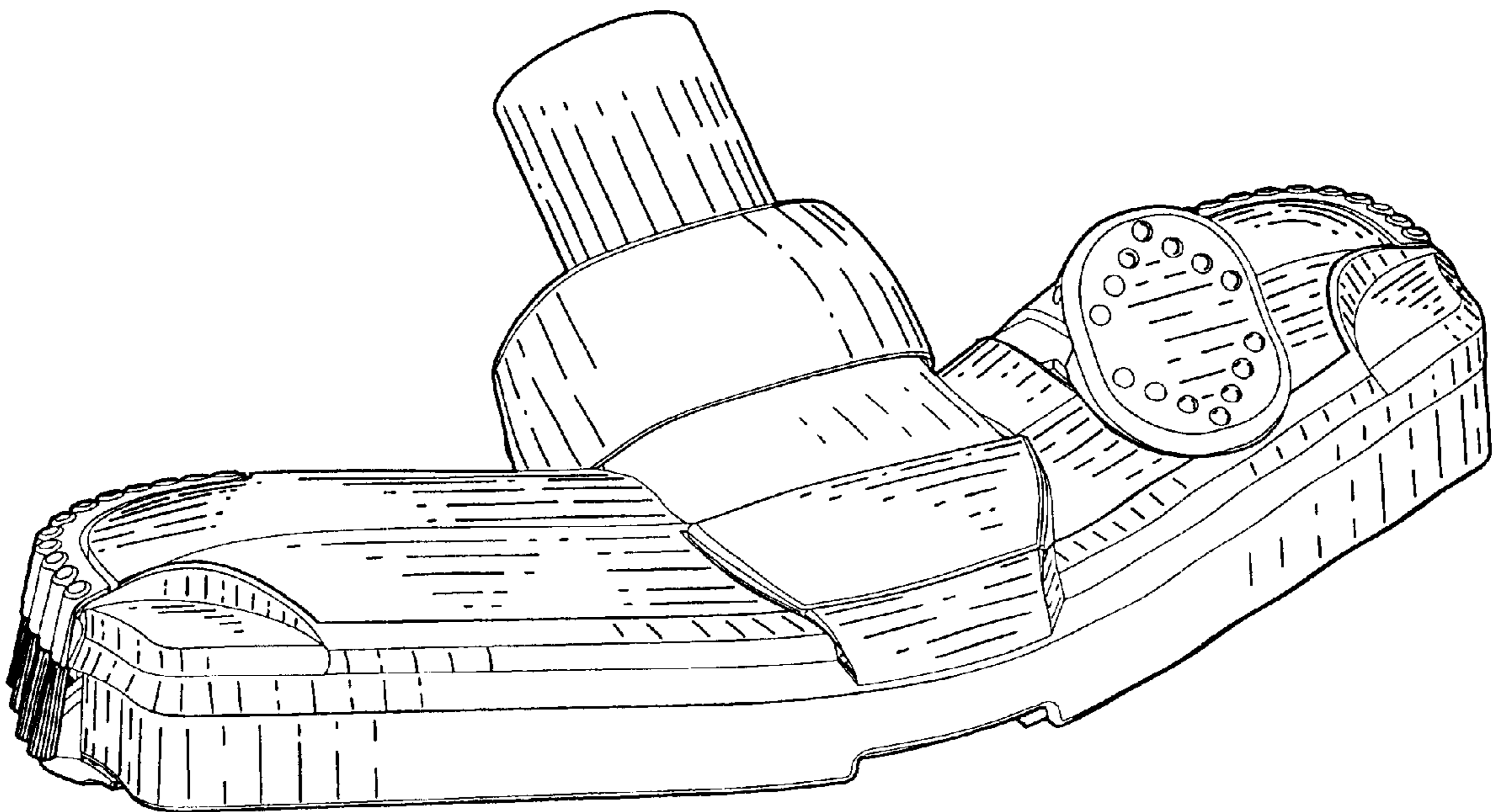


FIG. 1

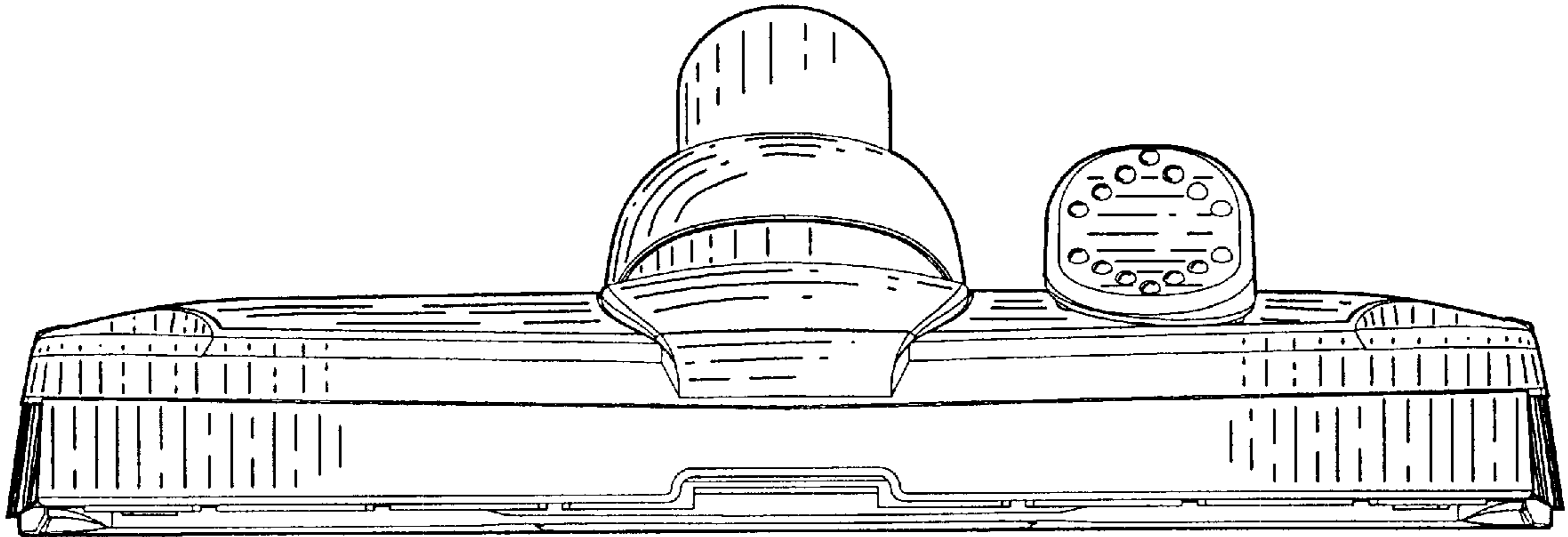


FIG. 2

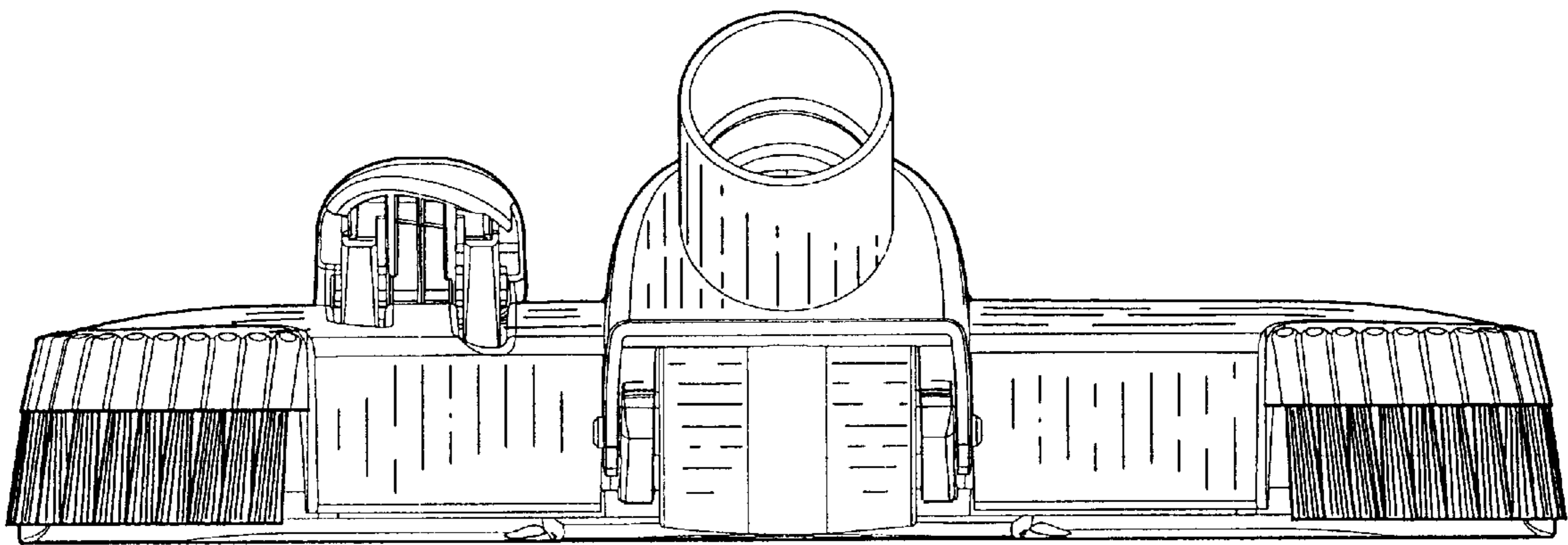


FIG. 3

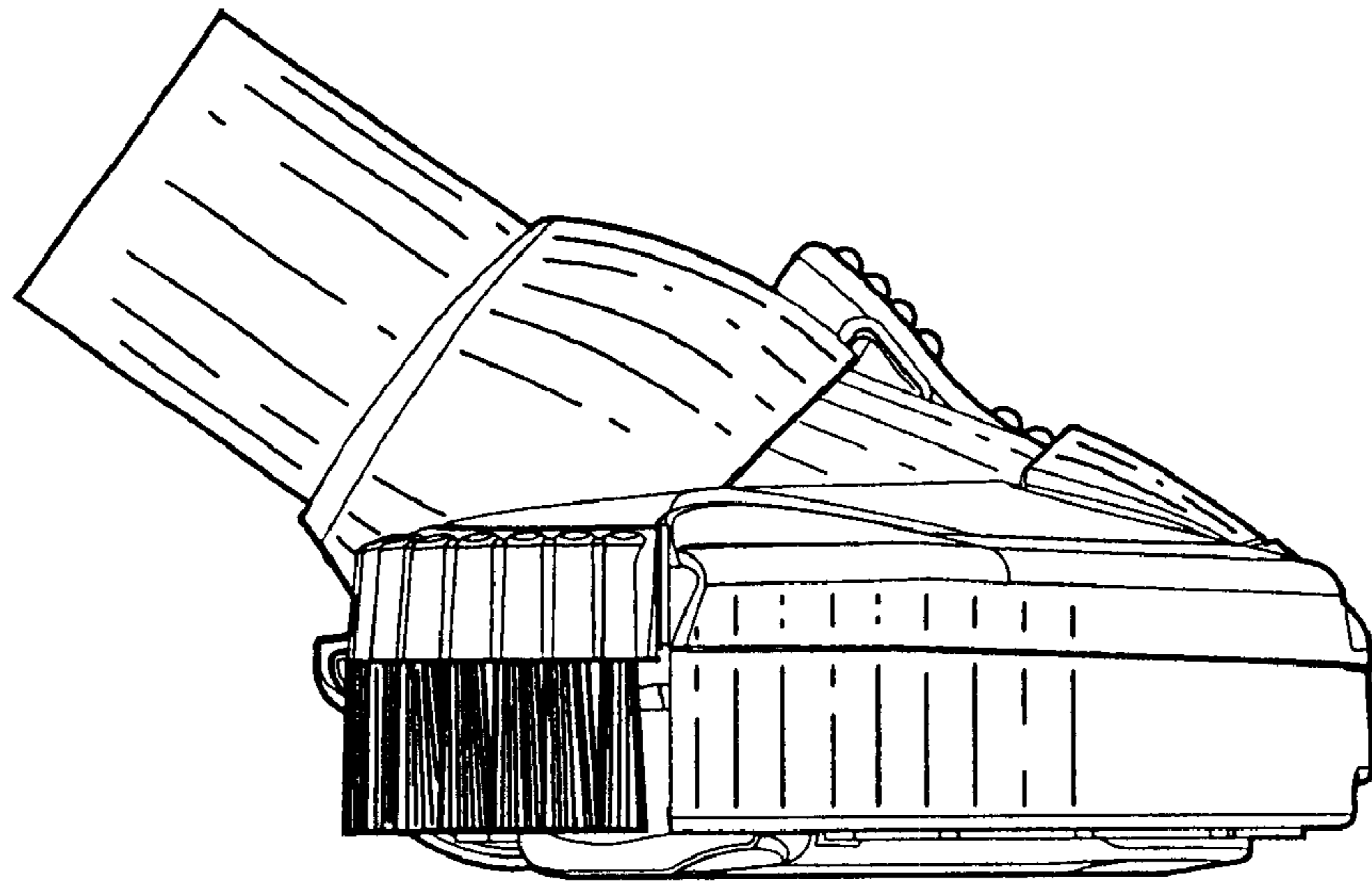


FIG. 4

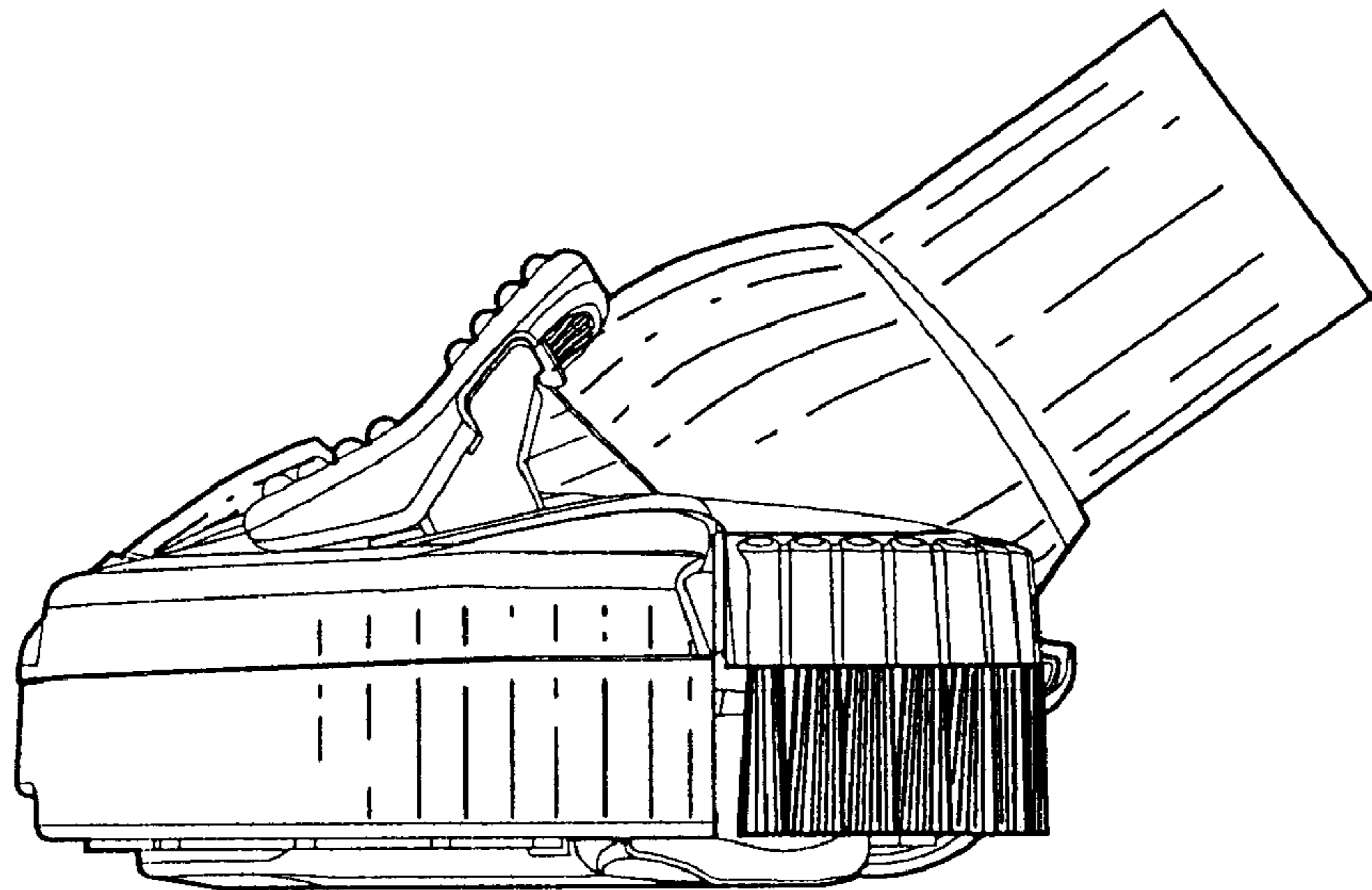


FIG. 5



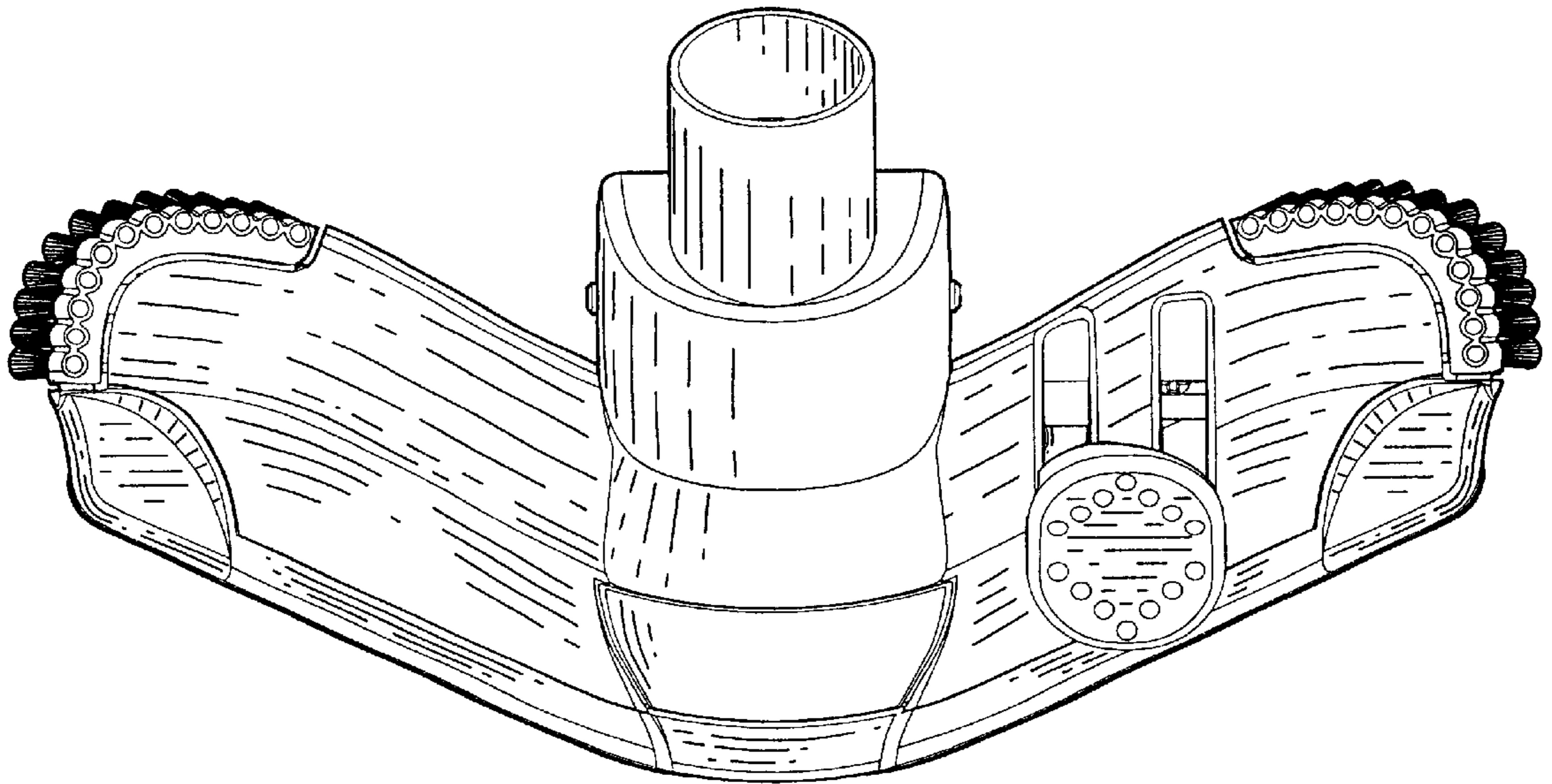


FIG. 6

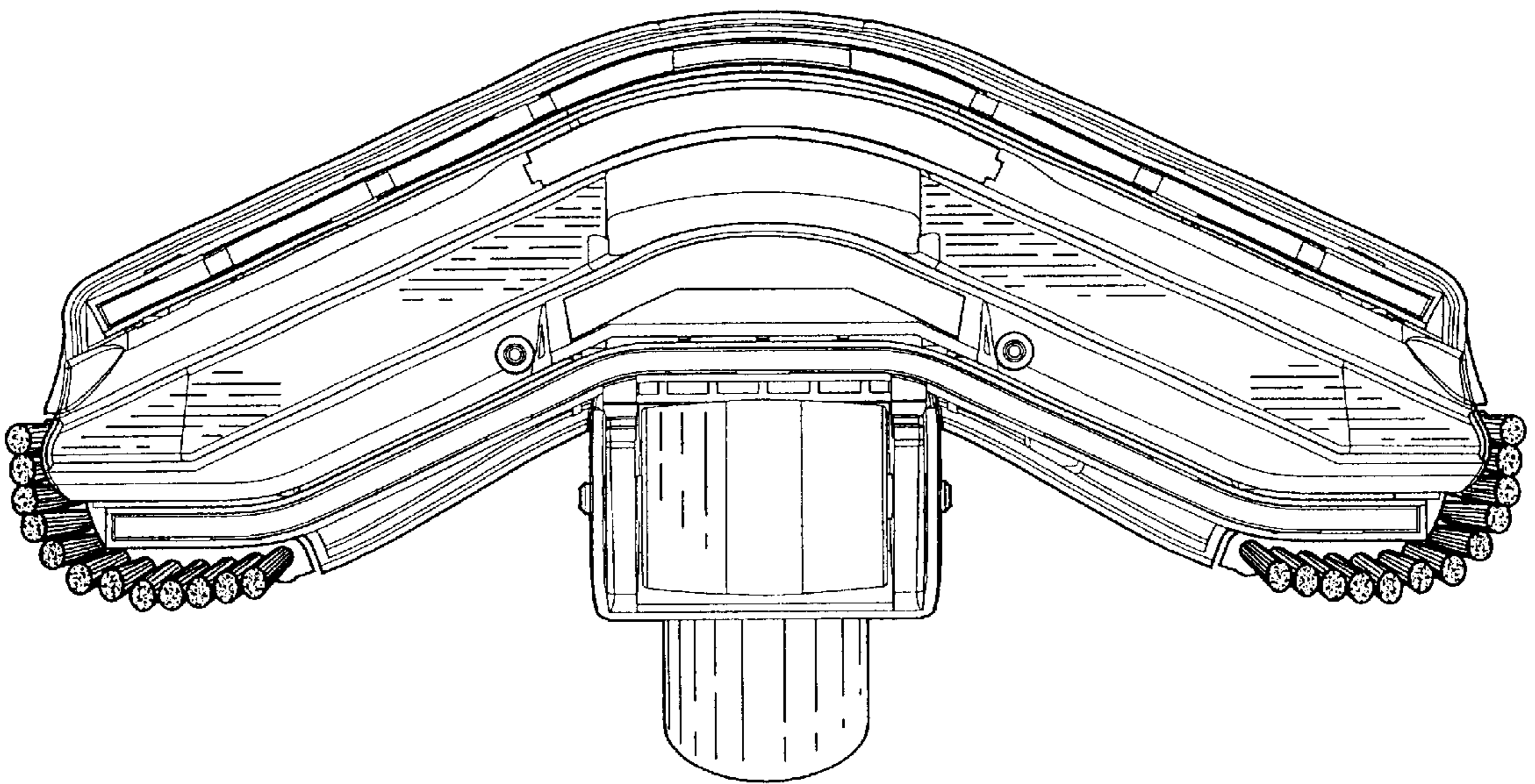


FIG. 7