



US00D482166S

(12) **United States Design Patent**
Paterson et al.

(10) **Patent No.:** **US D482,166 S**

(45) **Date of Patent:** **** Nov. 11, 2003**

(54) **BELT MOUNTED VACUUM CLEANER**

D446,364 S * 8/2001 Bisson D32/21
6,393,656 B1 * 5/2002 Paterson et al. 15/327.5

(75) Inventors: **Christopher M. Paterson**, Long Beach, MS (US); **Paul A. Moshenrose**, Ocean Springs, MS (US); **William G. Fish**, Gulfport, MS (US)

* cited by examiner

Primary Examiner—Ruth McInroy
(74) *Attorney, Agent, or Firm*—Duft Setter Ollila & Bornsen LLC

(73) Assignee: **Oreck Holdings, LLC**, Cheyenne, WY (US)

(57) **CLAIM**

(**) Term: **14 Years**

The Ornamental Design for a belt mounted vacuum cleaner, as shown and described.

(21) Appl. No.: **29/158,889**

DESCRIPTION

(22) Filed: **Apr. 11, 2002**

(51) **LOC (7) Cl.** **15-05**

(52) **U.S. Cl.** **D32/21**

(58) **Field of Search** D32/21, 25, 31;
D3/215; 15/327.5, 352, 327.2, 347

FIG. 1 is a front perspective view of a belt mounted vacuum cleaner showing our new design;
FIG. 2 is a front perspective view form the opposite side of FIG. 1;
FIG. 3 is a top view of FIG. 1;
FIG. 4 is a front view of FIG. 1;
FIG. 5 is a right side view of FIG. 1;
FIG. 6 is a left side view of FIG. 1;
FIG. 7 is a rear view of FIG. 1; and,
FIG. 8 is a bottom view of FIG. 1.

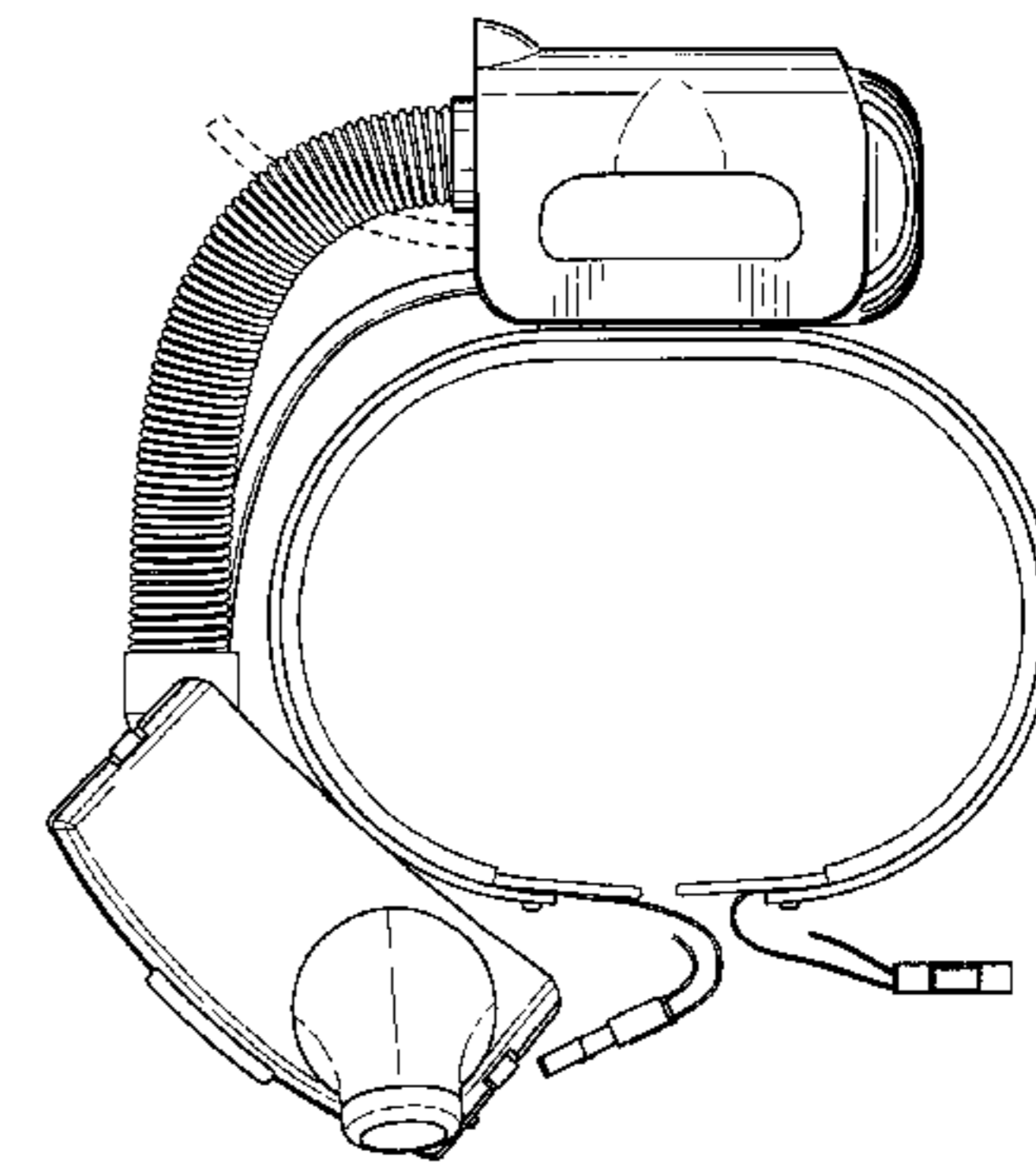
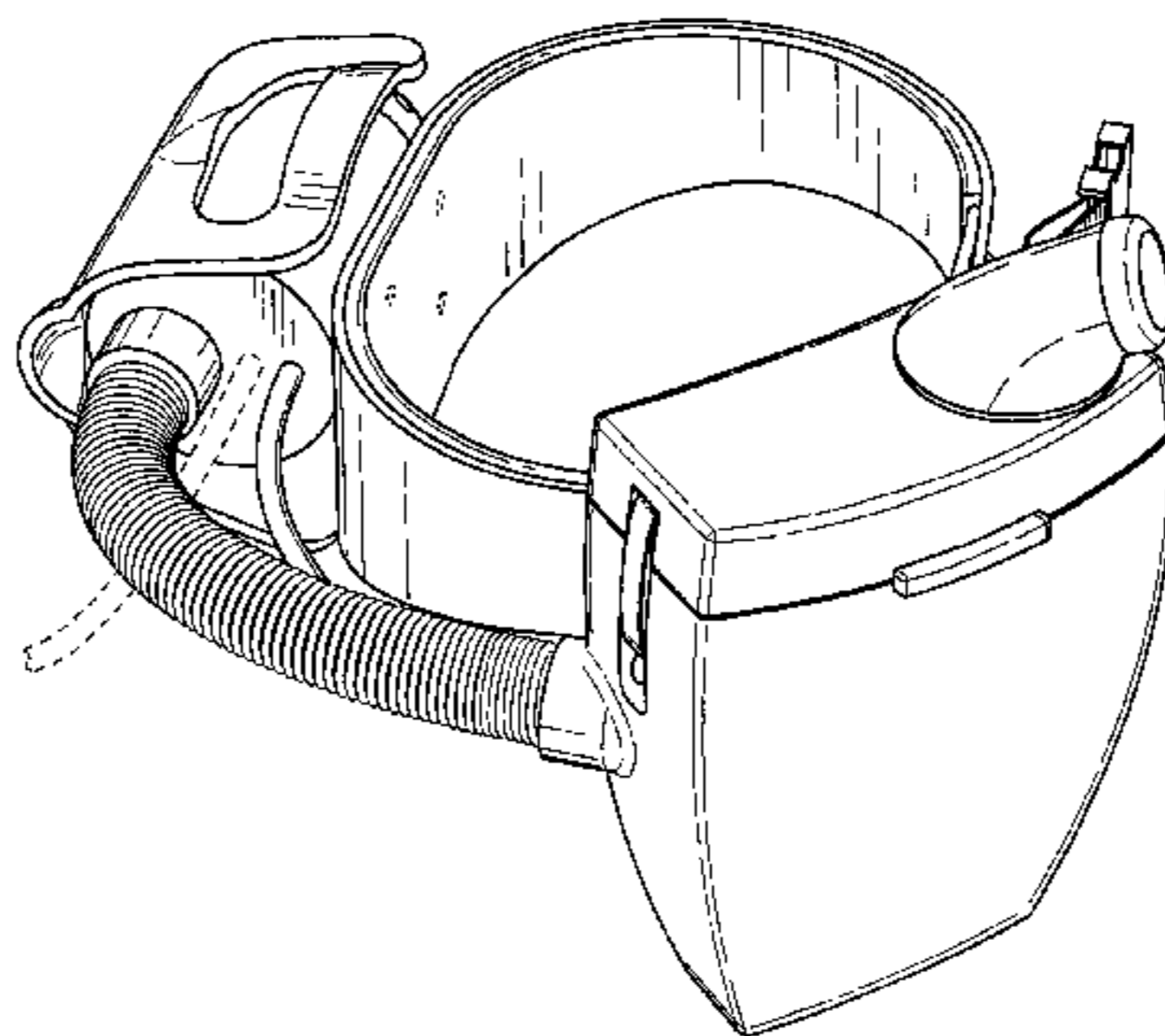
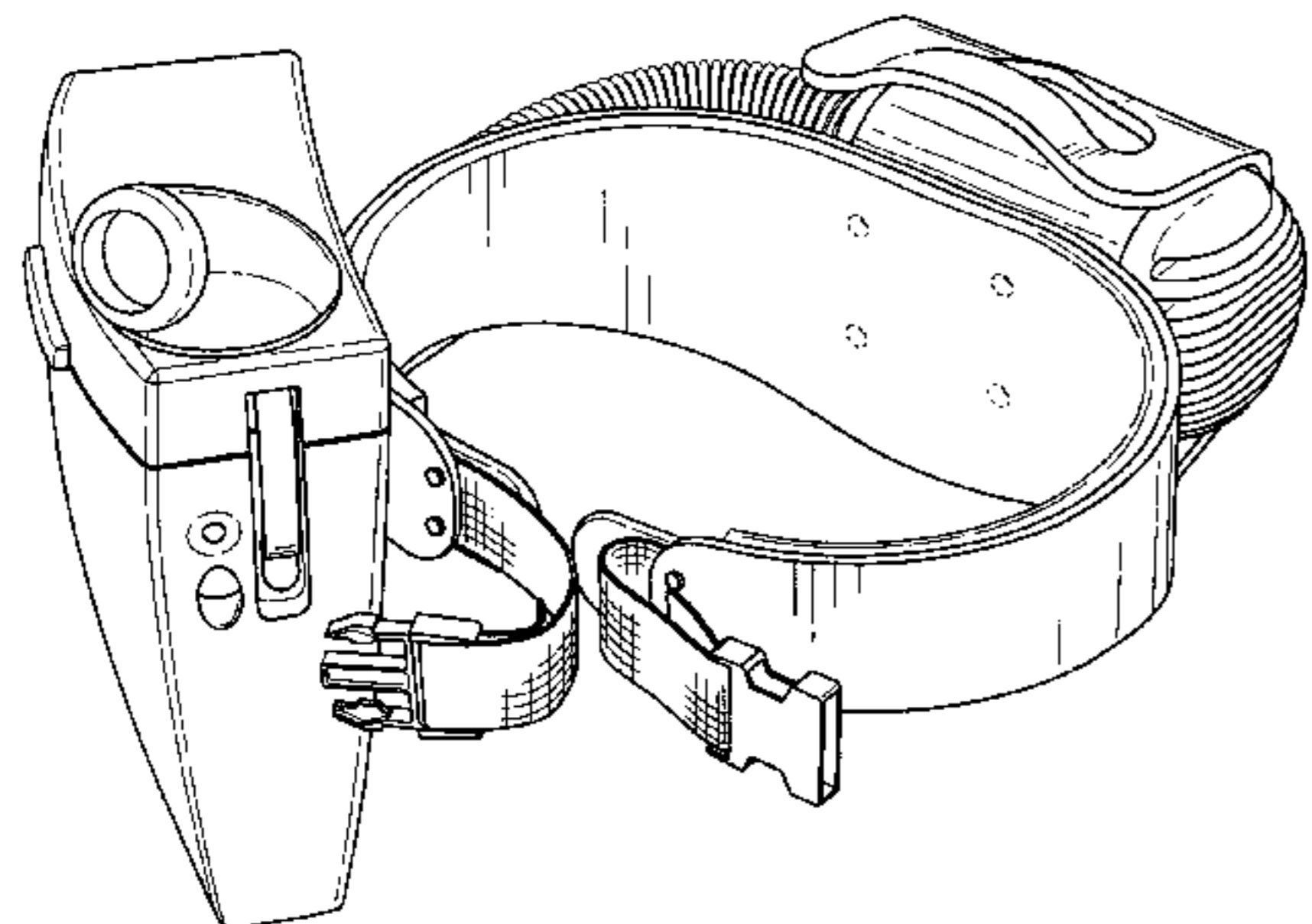
(56) **References Cited**

U.S. PATENT DOCUMENTS

- 4,944,065 A * 7/1990 Svanberg et al. 15/327.5
- D315,234 S * 3/1991 Frisell D32/21
- D326,747 S * 6/1992 Stickle D32/21
- D344,632 S * 3/1994 Owens D4/115
- D380,086 S * 6/1997 Brassard D3/215
- 6,066,211 A * 5/2000 Sandell 134/21

The broken line disclosure is for illustrative purposes only and forms no part of the claimed design.

1 Claim, 4 Drawing Sheets



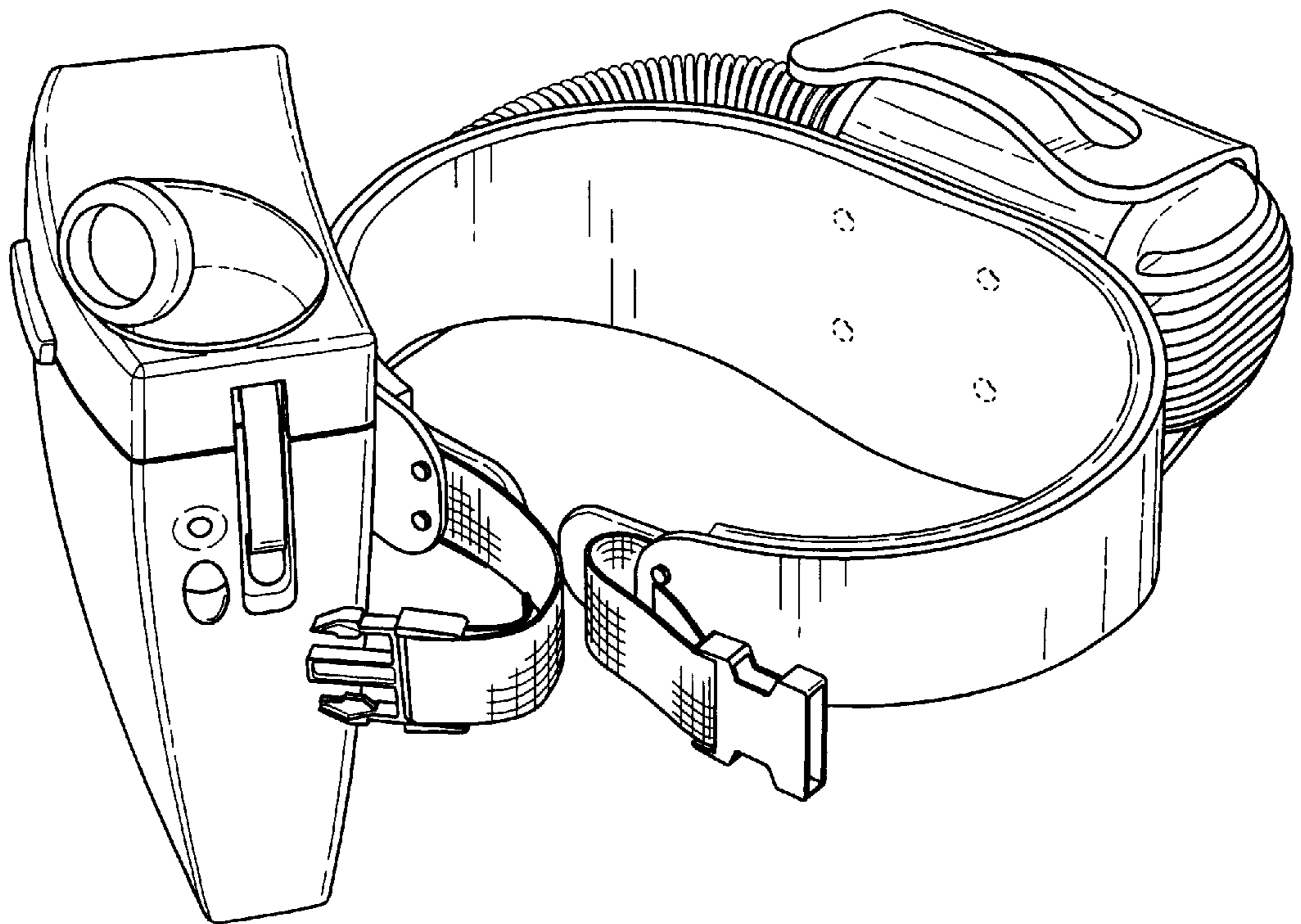


FIG. 1

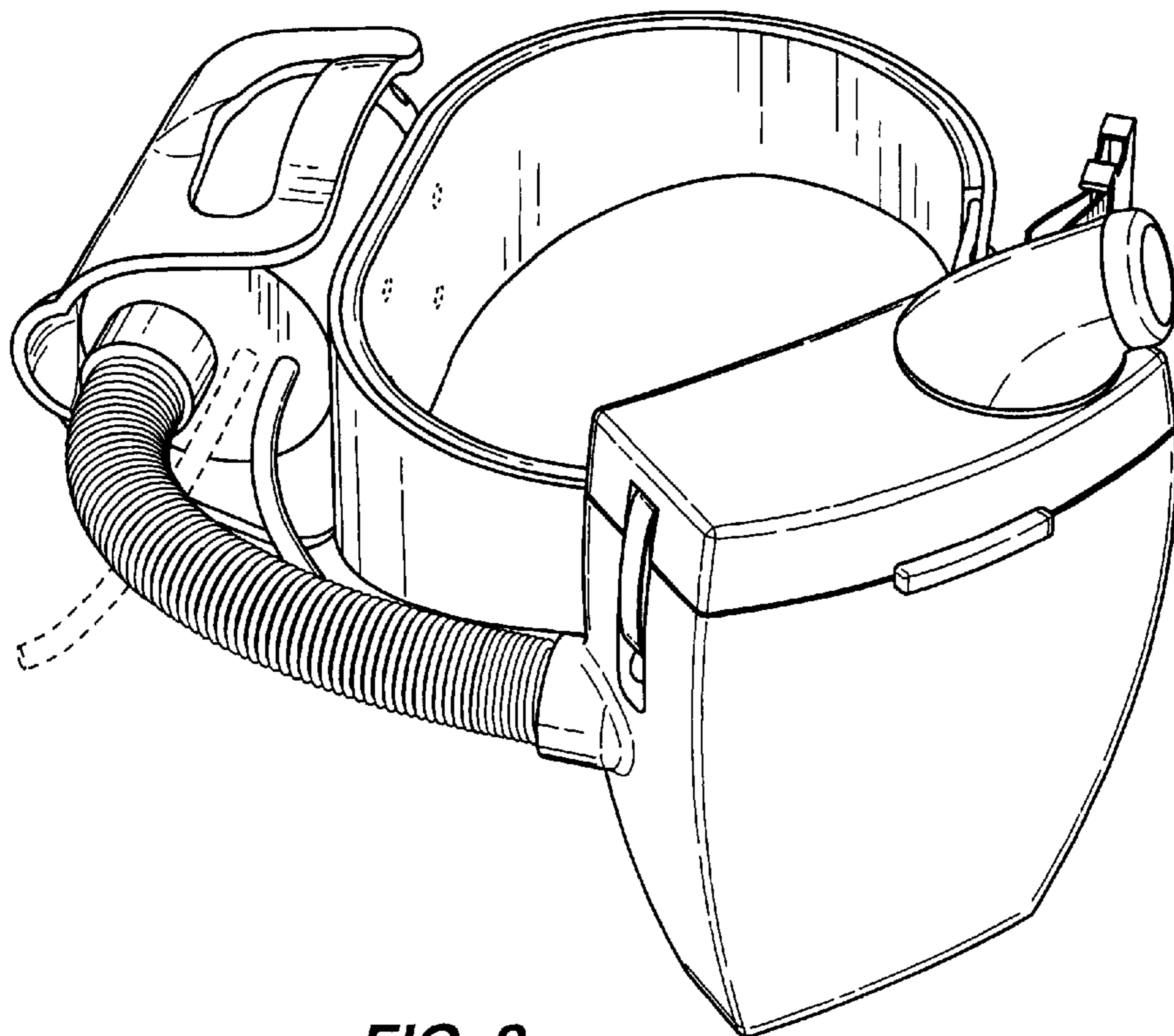


FIG. 2

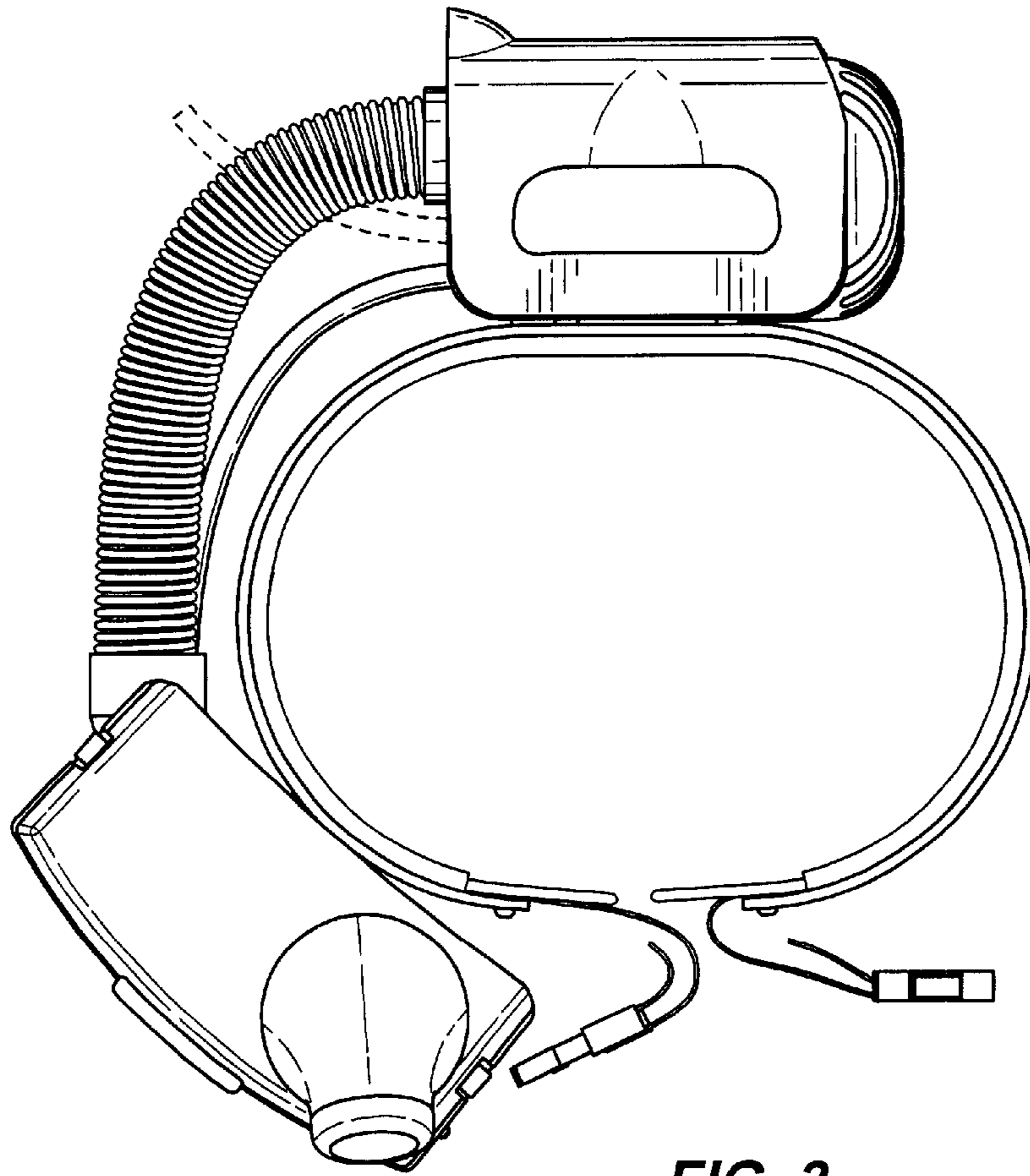


FIG. 3

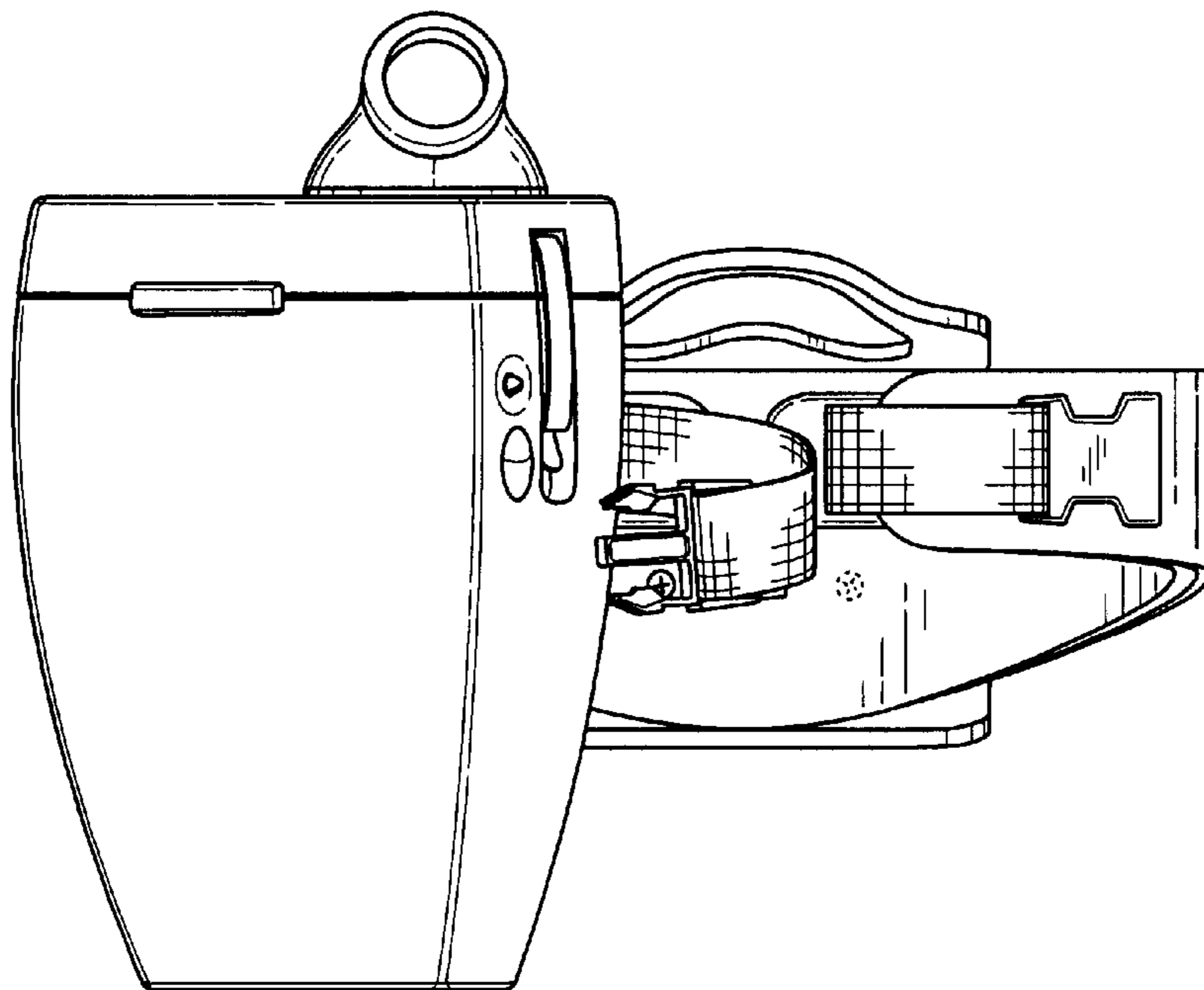


FIG. 4

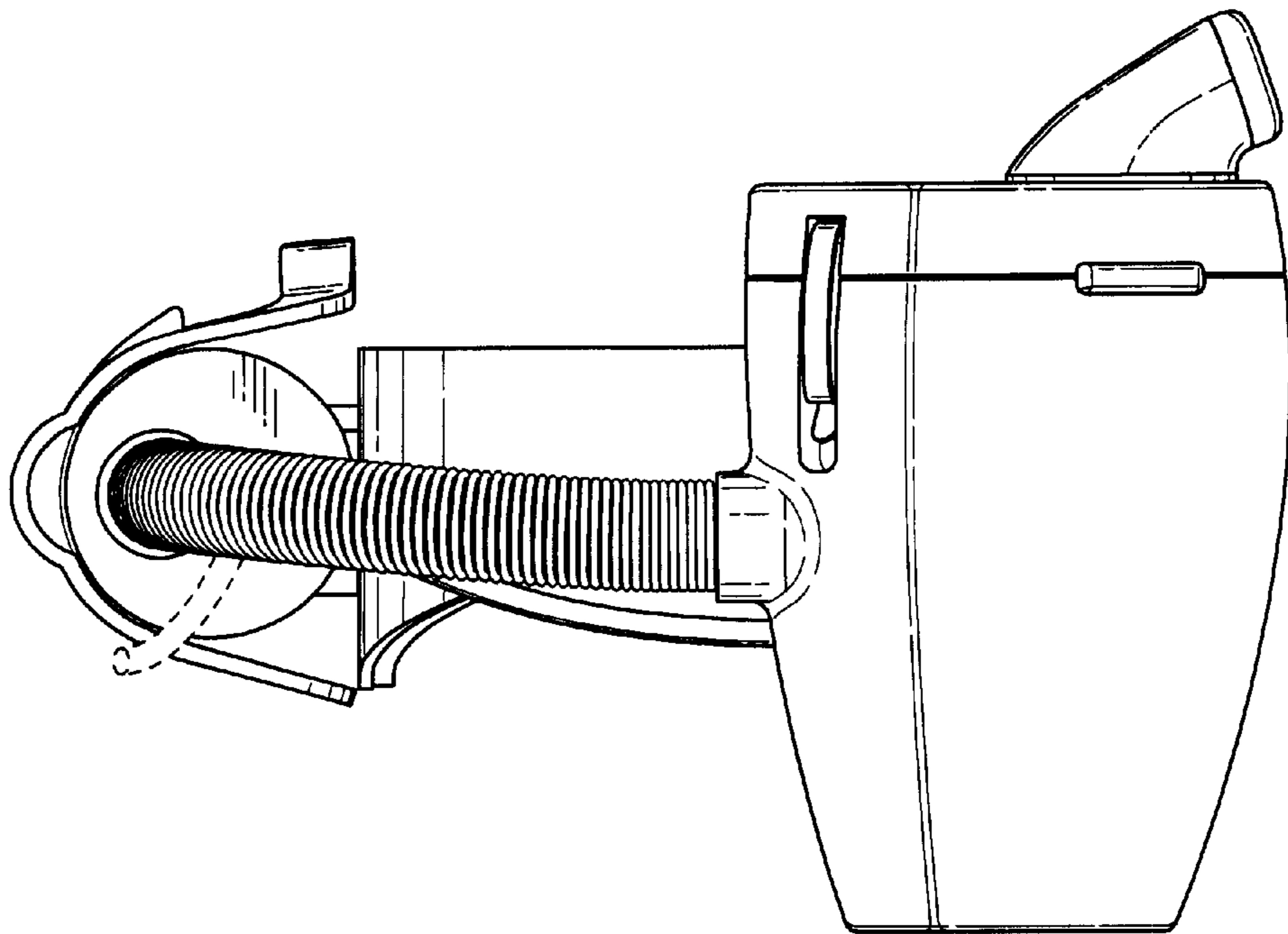


FIG. 5

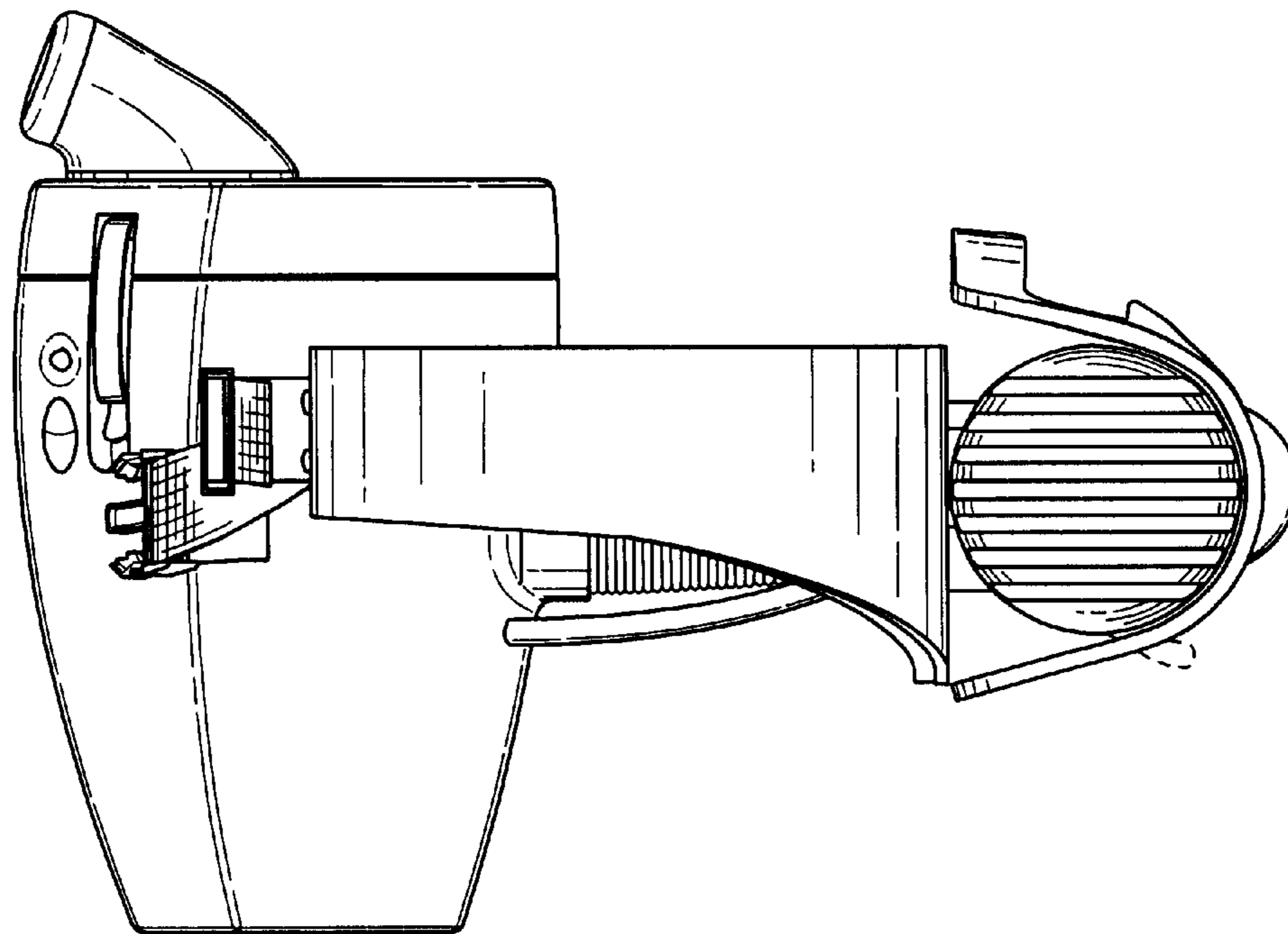


FIG. 6

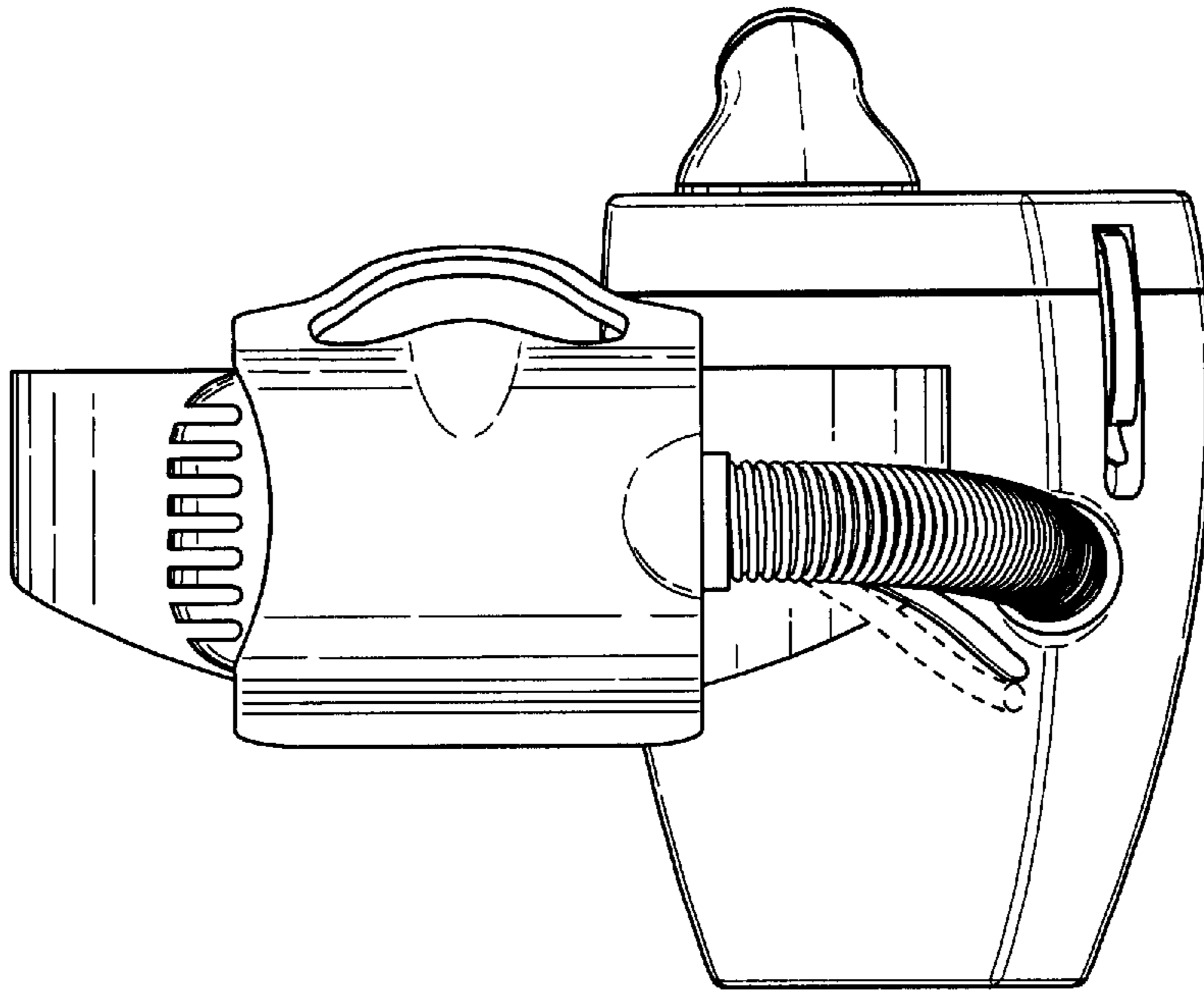


FIG. 7

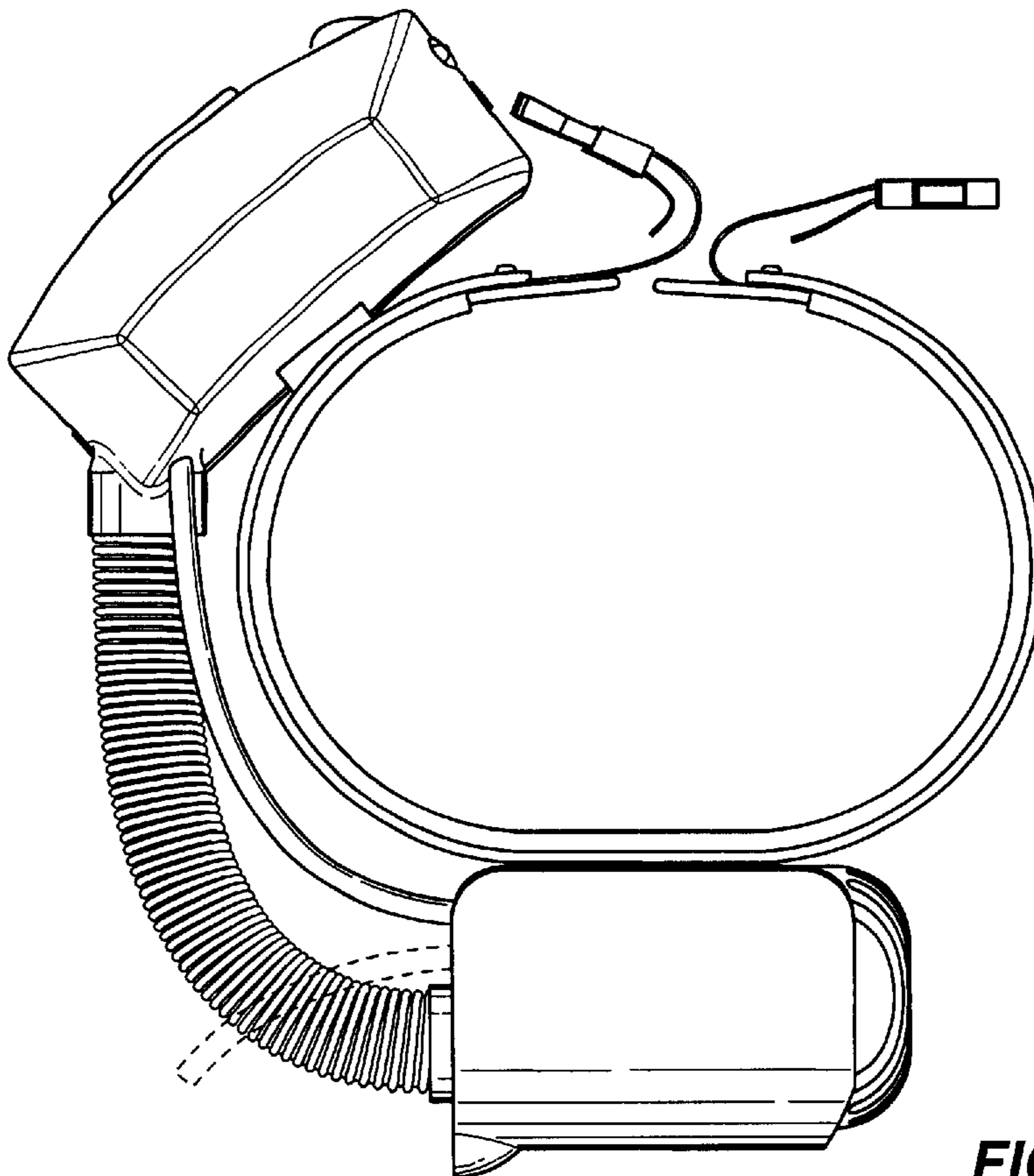


FIG. 8