



US00D482165S

(12) **United States Design Patent**
Kay

(10) **Patent No.:** **US D482,165 S**

(45) **Date of Patent:** **** *Nov. 11, 2003**

(54) **SONIC CLEANER**

(75) **Inventor:** **Neil J. Kay**, Rolling Hills Estates, CA (US)

(73) **Assignee:** **Cisco Sales Corp.**, Torrance, CA (US)

(*) **Notice:** This patent is subject to a terminal disclaimer.

(**) **Term:** **14 Years**

(21) **Appl. No.:** **29/171,959**

(22) **Filed:** **Dec. 4, 2002**

(51) **LOC (7) Cl.** **15-05**

(52) **U.S. Cl.** **D32/1**

(58) **Field of Search** D32/1, 25; D24/213-218; 15/1, 1.51, 1.52, 104.001, 246; 206/83

(56) **References Cited**

U.S. PATENT DOCUMENTS

2,444,294 A	*	6/1948	Jones	206/83
D257,486 S	*	11/1980	Thomas	D24/218
D306,784 S	*	3/1990	Fung	D32/1
D315,039 S	*	2/1991	Wortham	D32/1
D315,040 S	*	2/1991	Miller	D32/1
5,000,209 A	*	3/1991	Mann	D32/1 X
D464,774 S	*	10/2002	Kay	D32/1

* cited by examiner

Primary Examiner—Louis S. Zarfaz
Assistant Examiner—Robert A. Delehanty

(74) *Attorney, Agent, or Firm*—Irving Keschner

(57) **CLAIM**

The ornamental design for a sonic cleaner, as shown.

DESCRIPTION

FIG. 1 is a front top perspective view of a sonic cleaner showing my new design;

FIG. 2 is a top view of the ornamental design shown in FIG. 1;

FIG. 3 is a front elevational view of the ornamental design shown in FIG. 1;

FIG. 4 is a second front elevational view of the ornamental design shown in FIG. 1;

FIG. 5 is a rear elevational view of the ornamental design shown in FIG. 1;

FIG. 6 is a bottom view of the ornamental design shown in FIG. 1;

FIG. 7 is a perspective view of the ornamental design of the present invention shown in FIG. 1 with the top cover removed;

FIG. 8 is a top view of the ornamental design shown in FIG. 7;

FIG. 9 is a first elevational view of the ornamental design shown in FIG. 7;

FIG. 10 is a second elevational view of the ornamental design in FIG. 7; and,

FIG. 11 is a rear elevational view of the ornamental view of the ornamental design shown in FIG. 7.

1 Claim, 4 Drawing Sheets

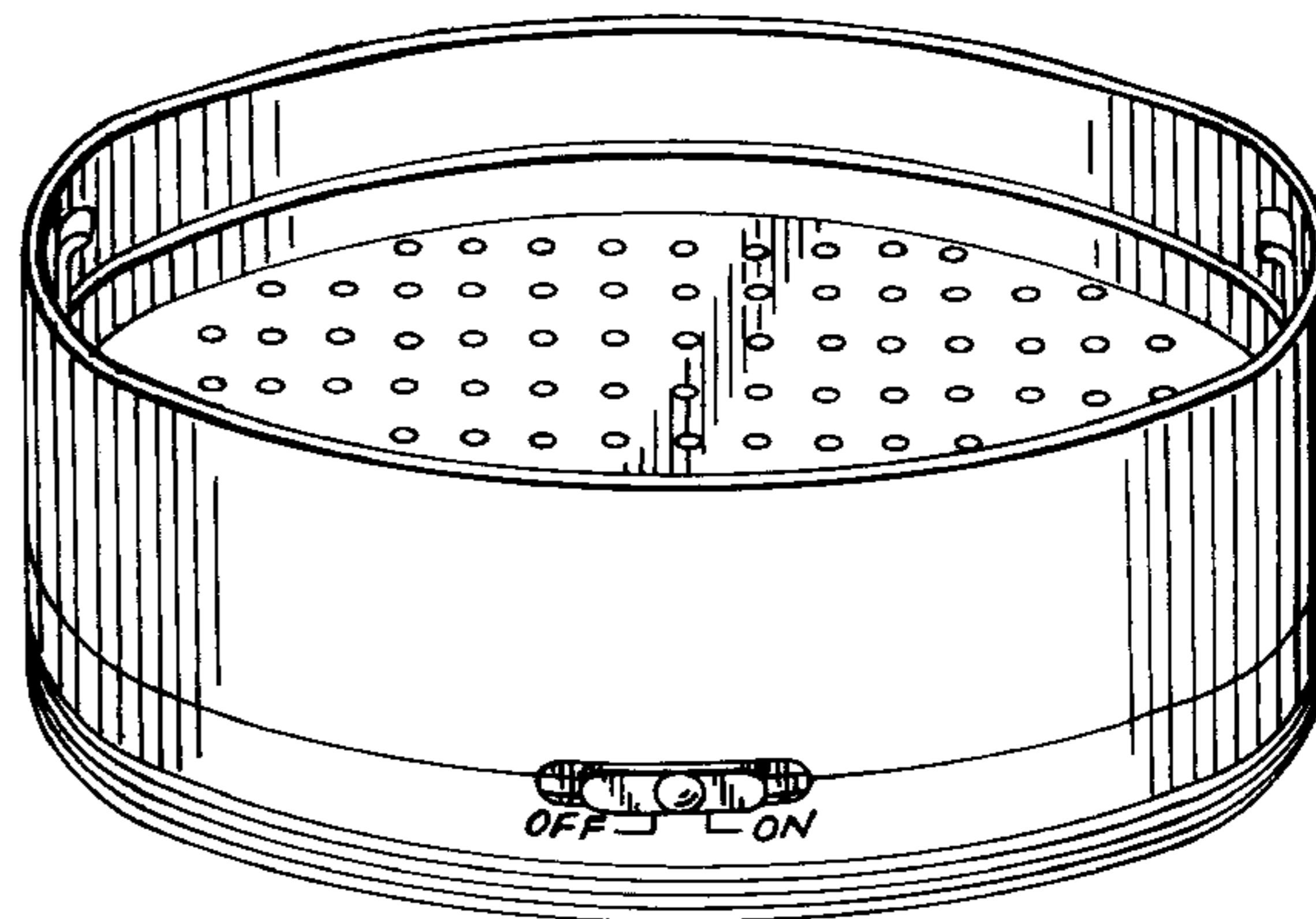
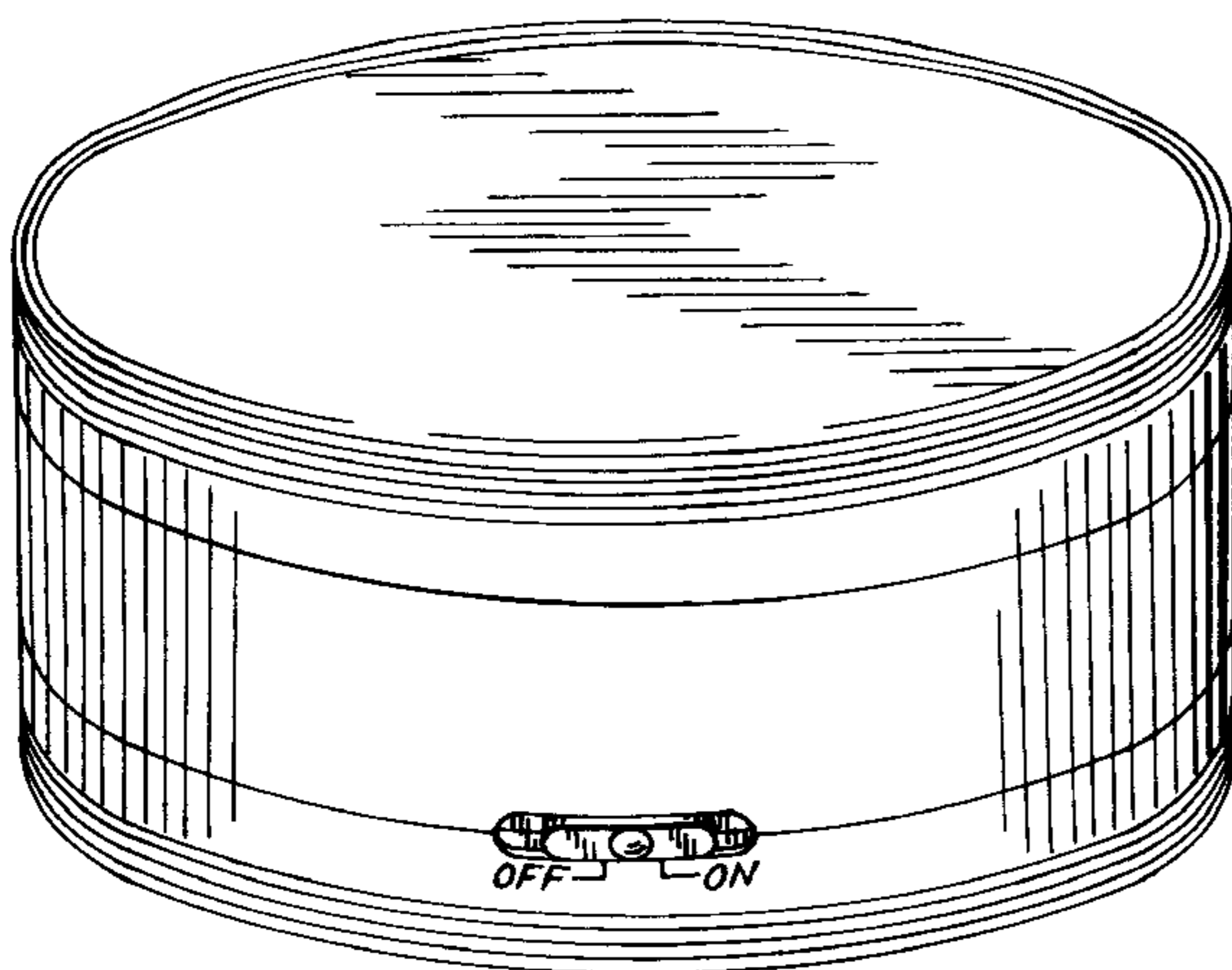


FIG. 1

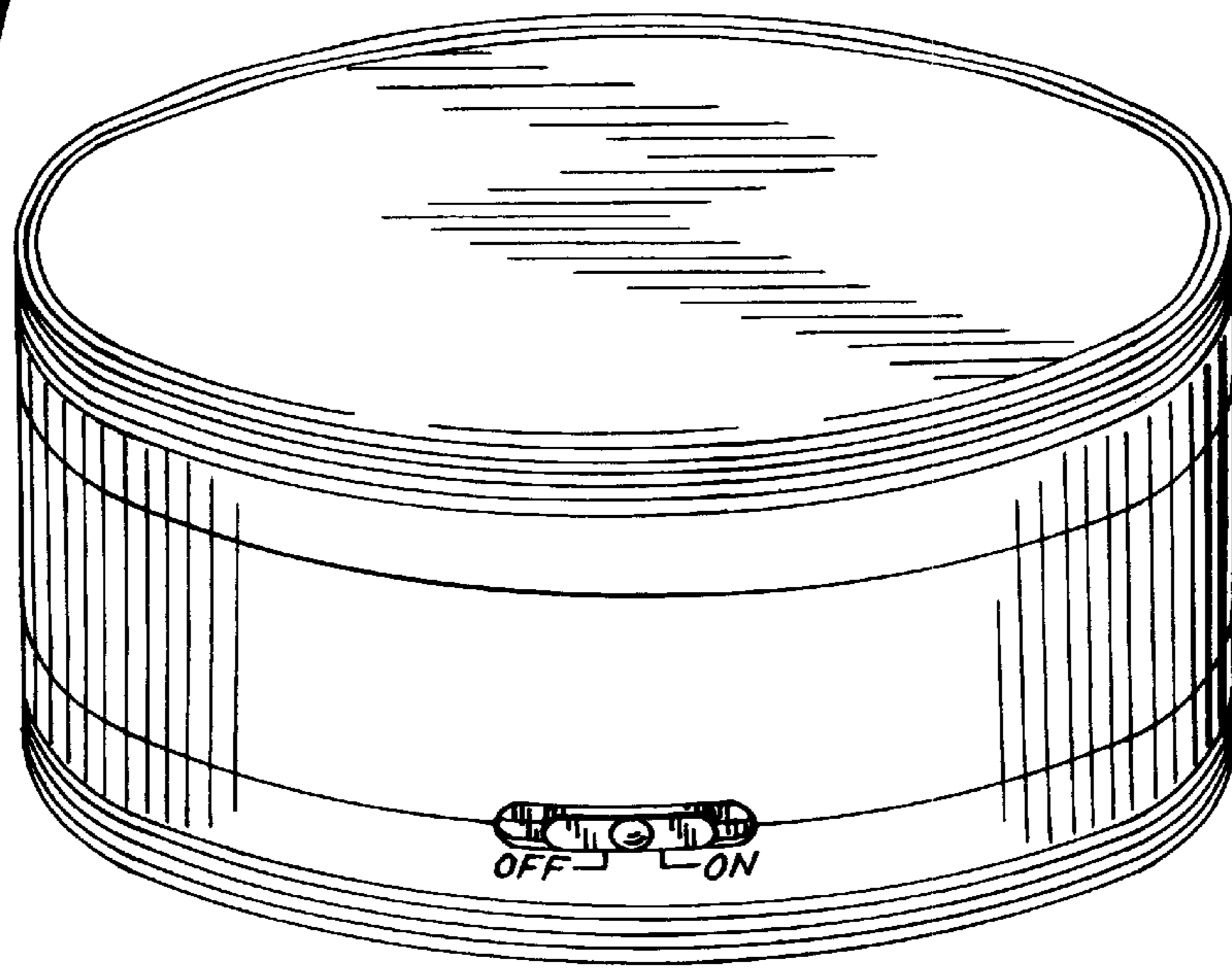


FIG. 2

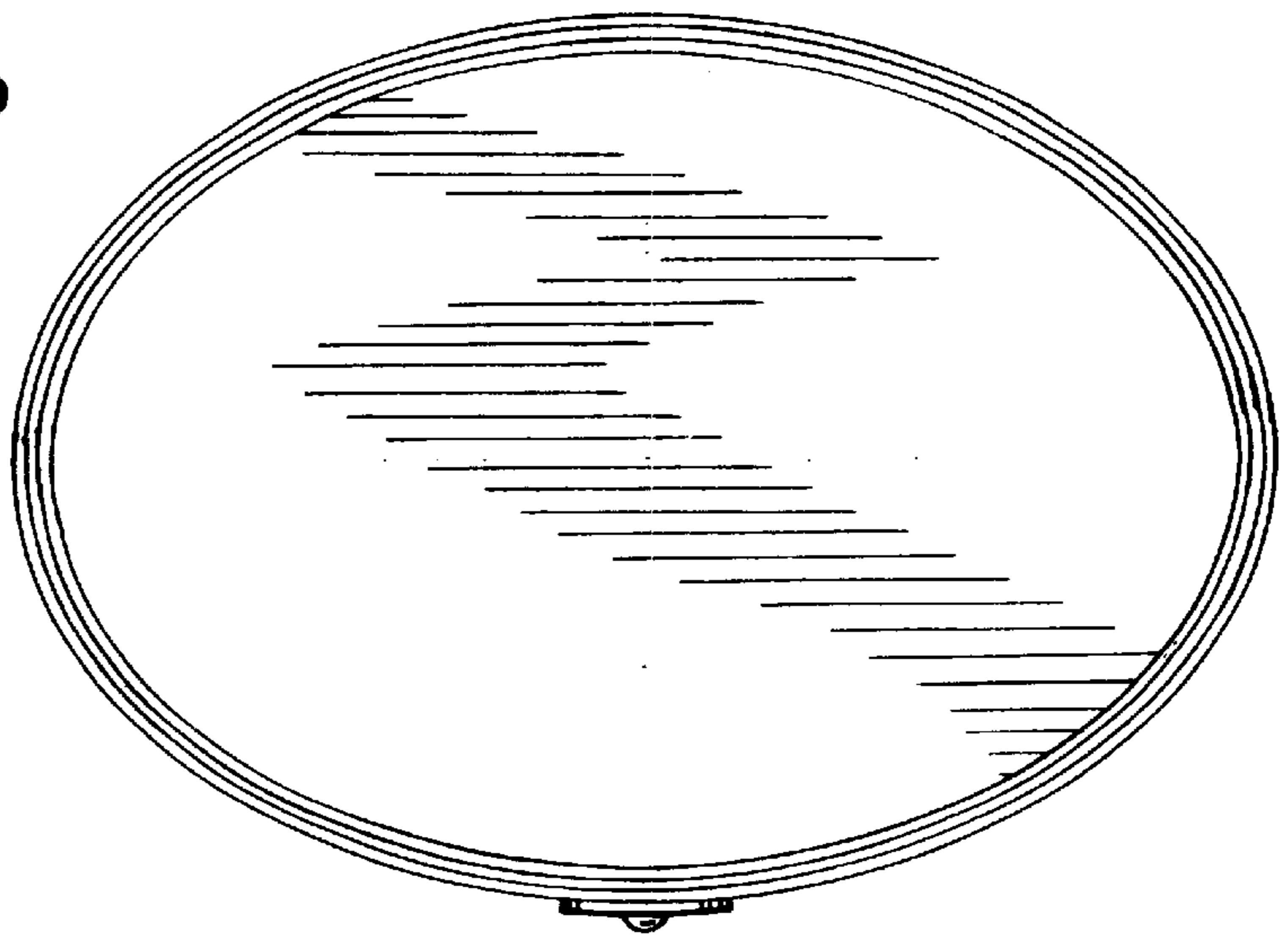


FIG. 3

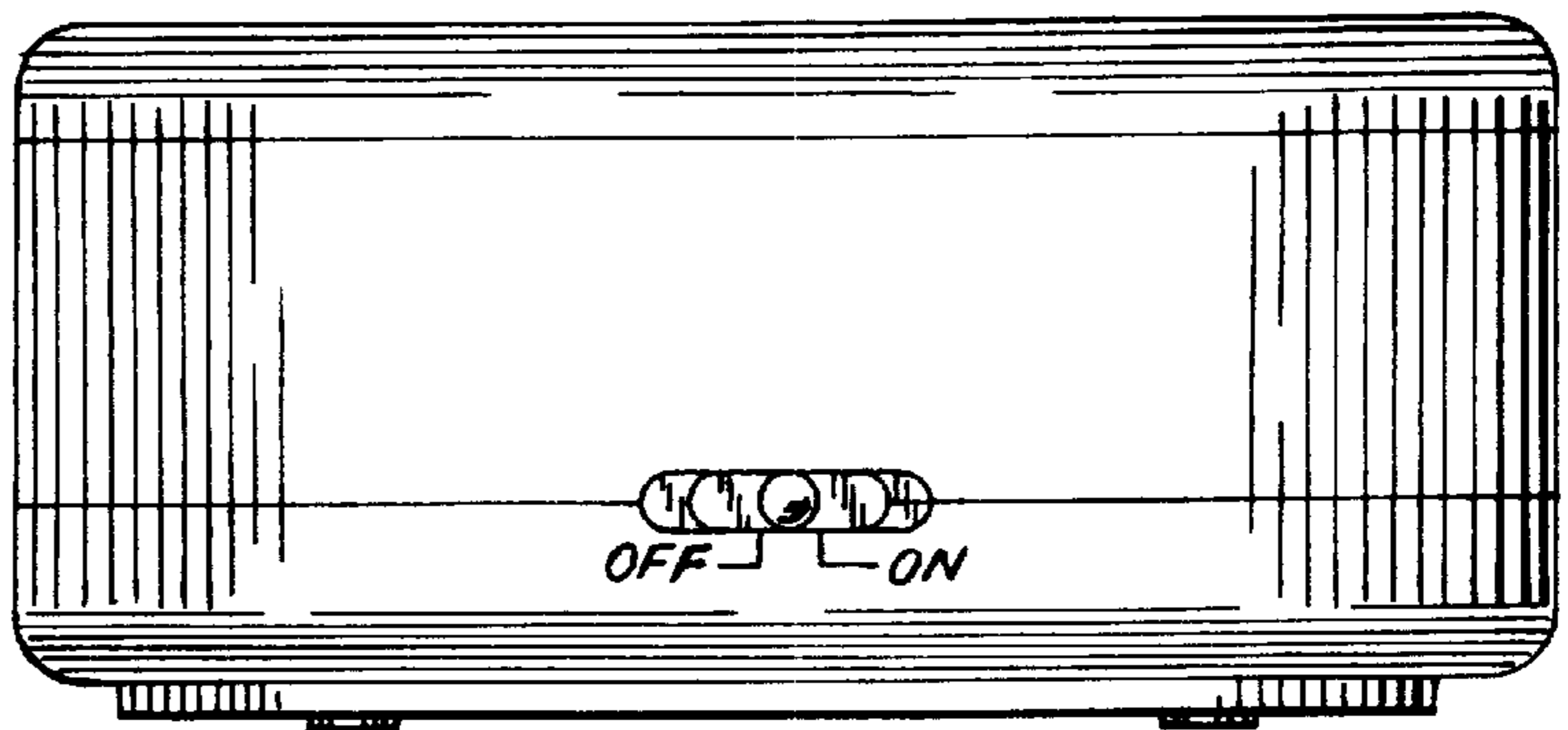


FIG. 4

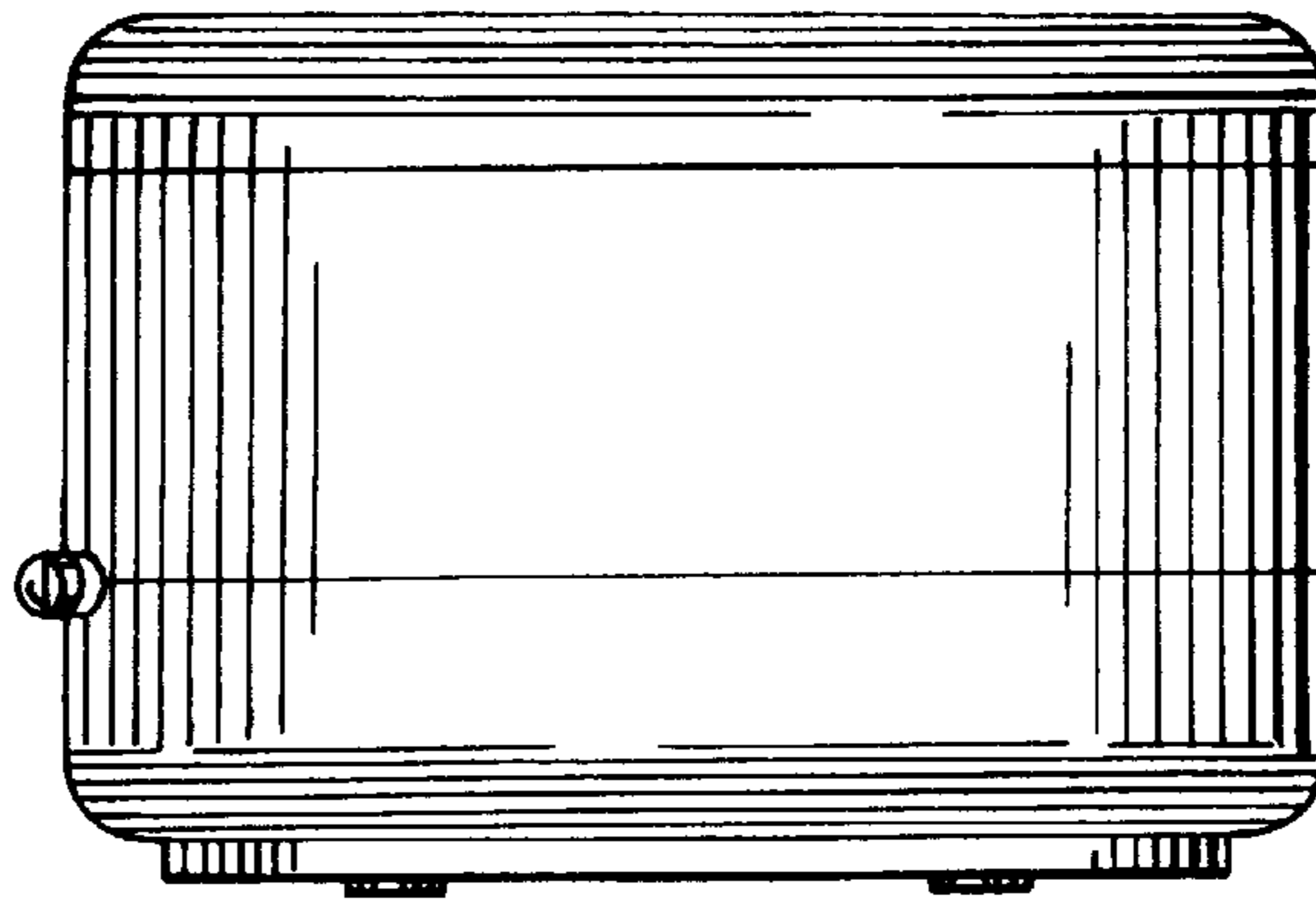


FIG. 5

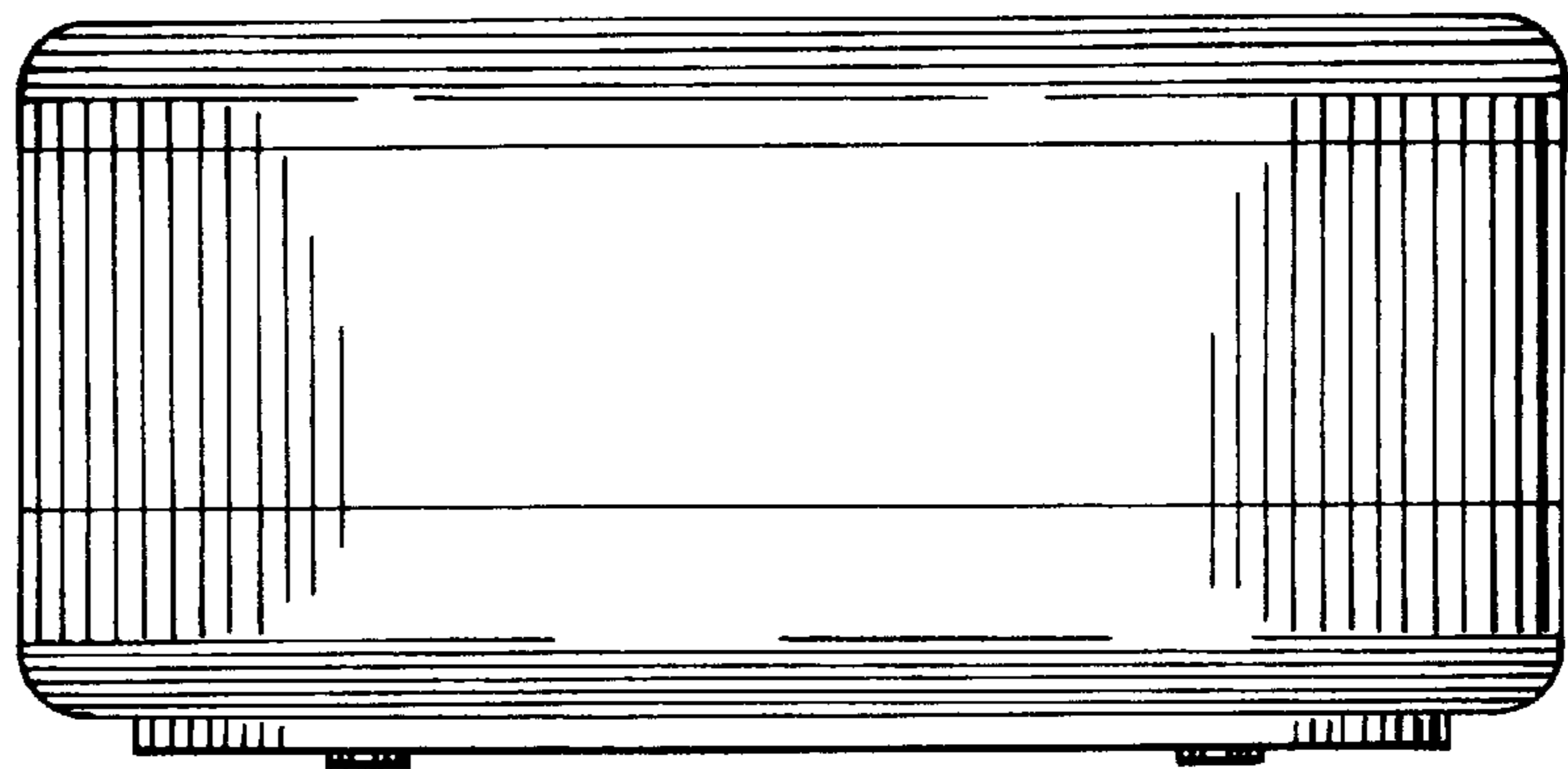


FIG. 6

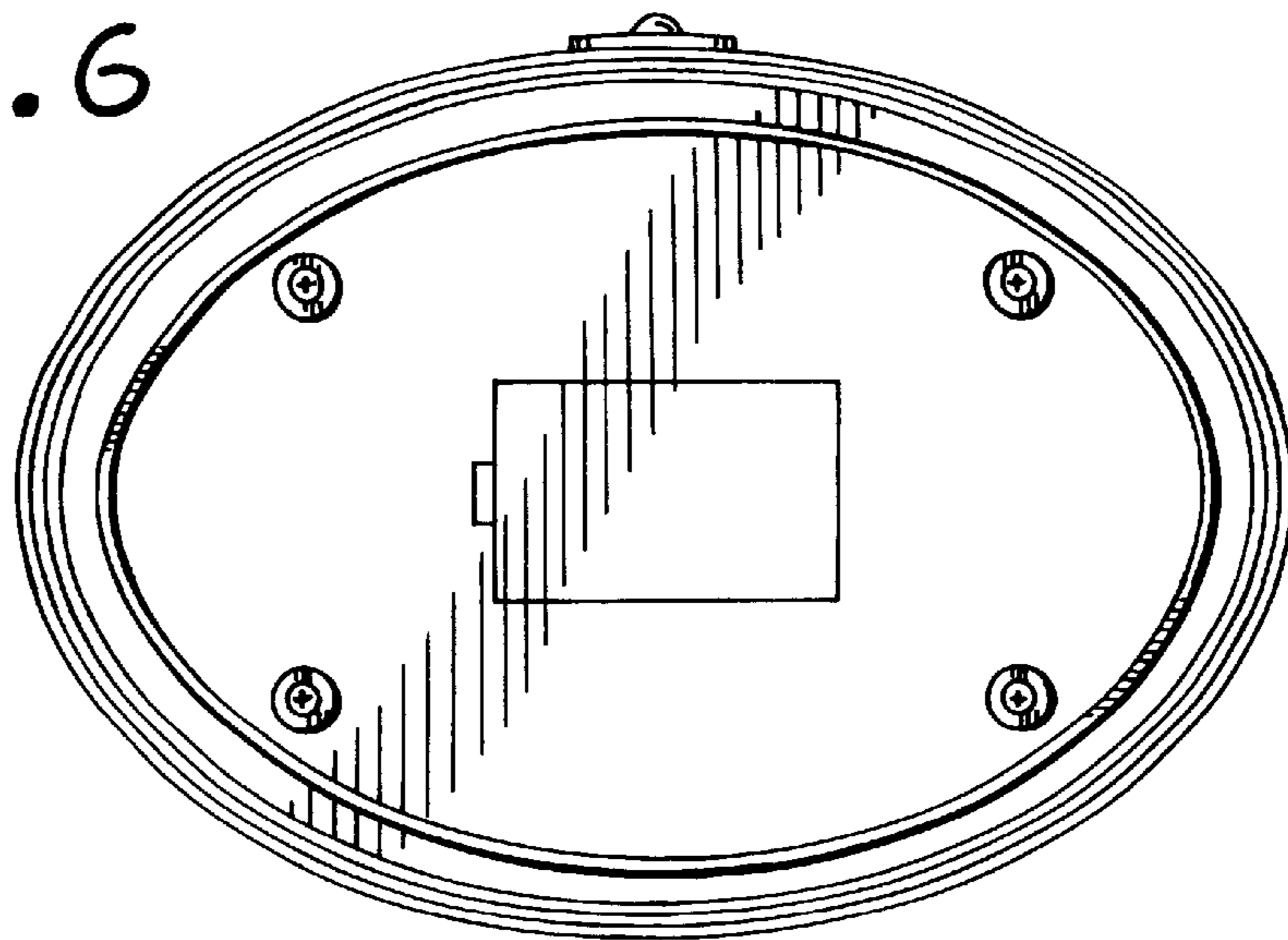


FIG. 7

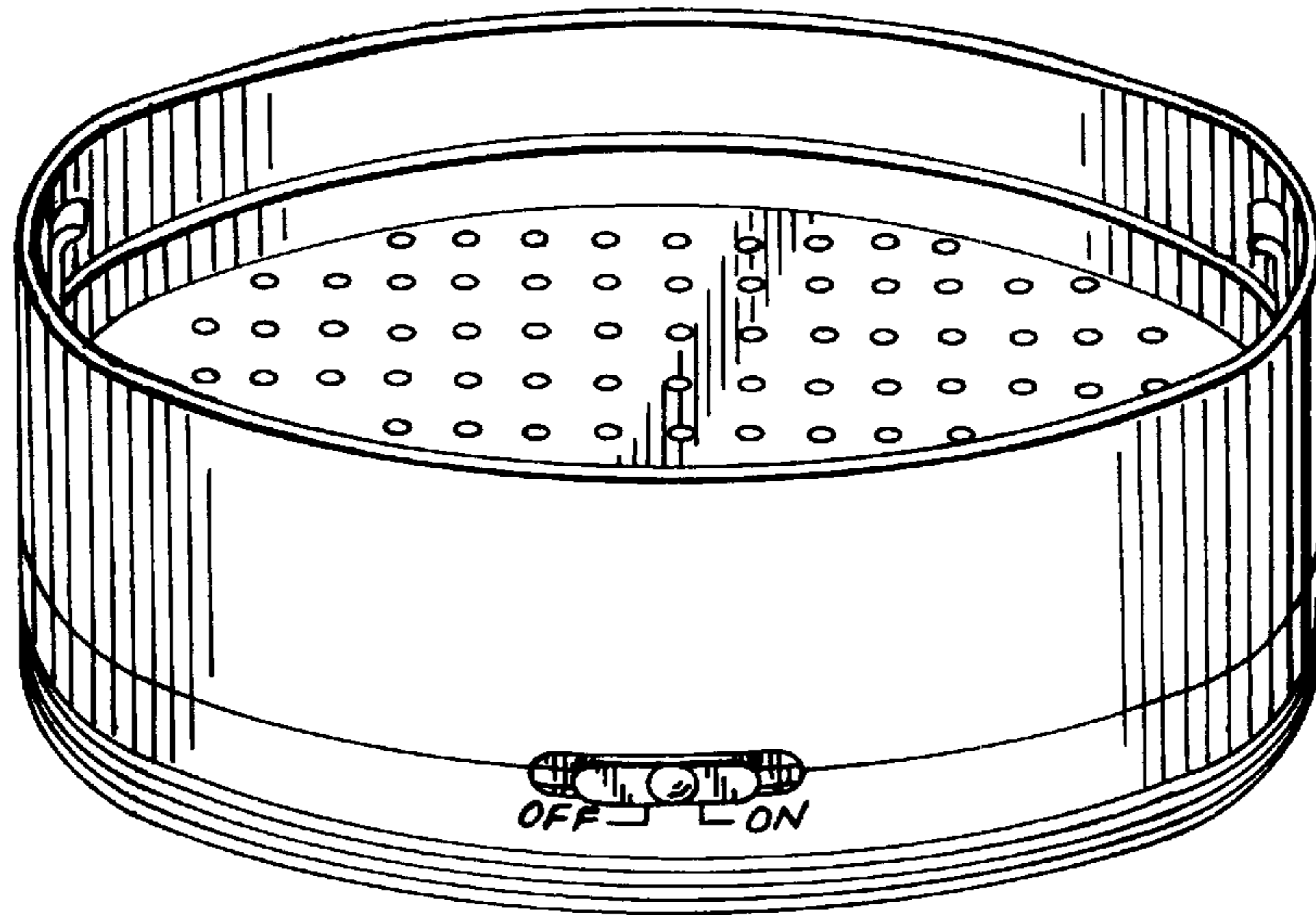


FIG. 8

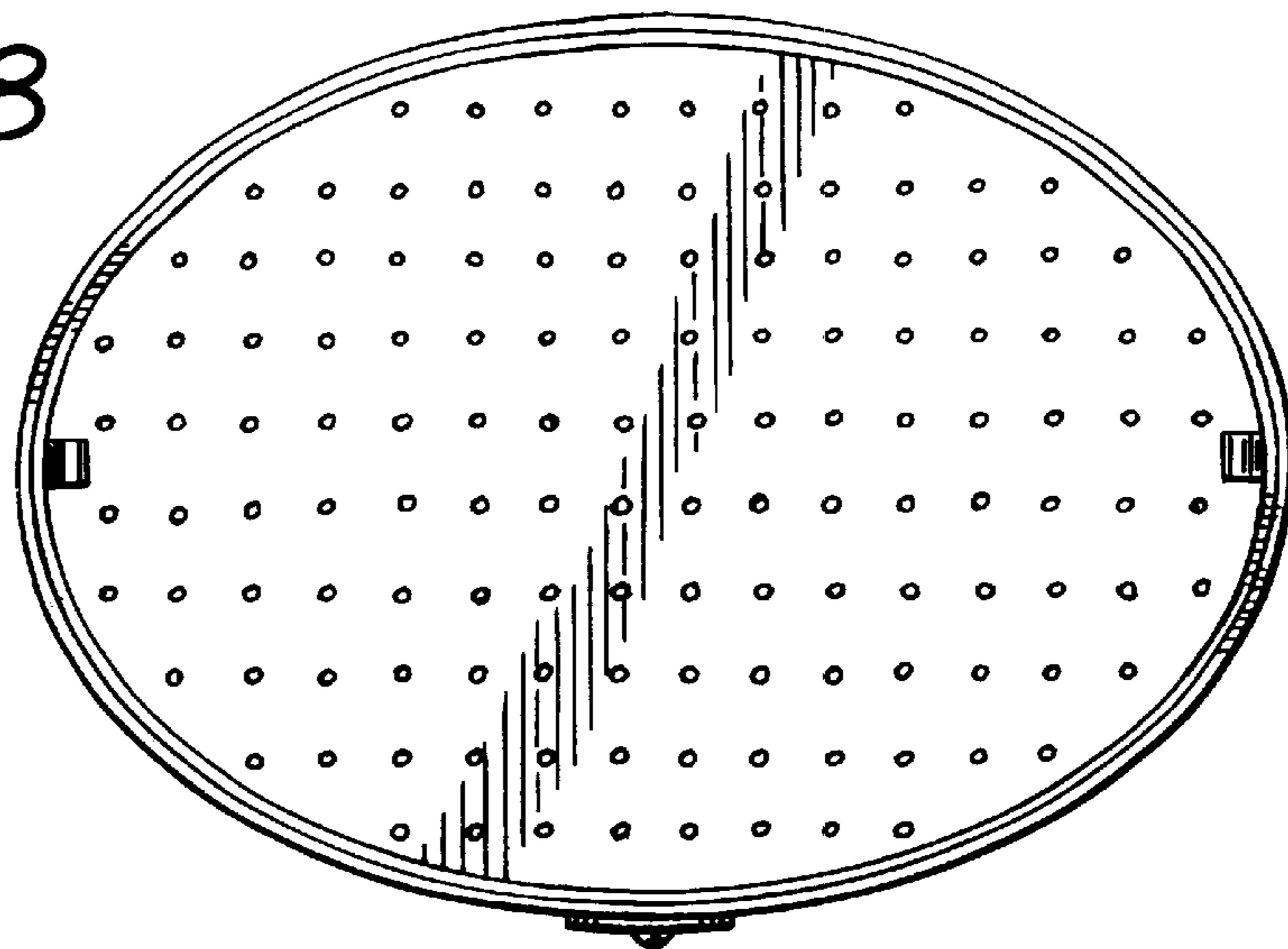


FIG. 9

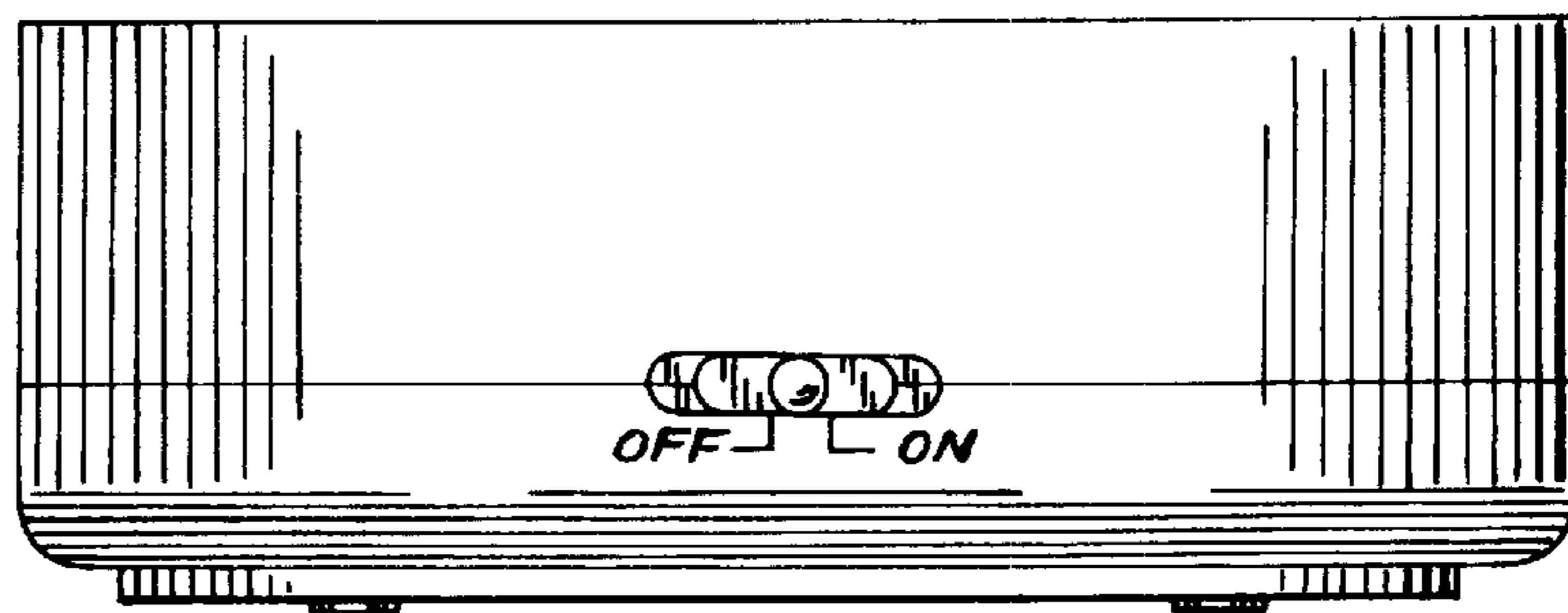


FIG. 10

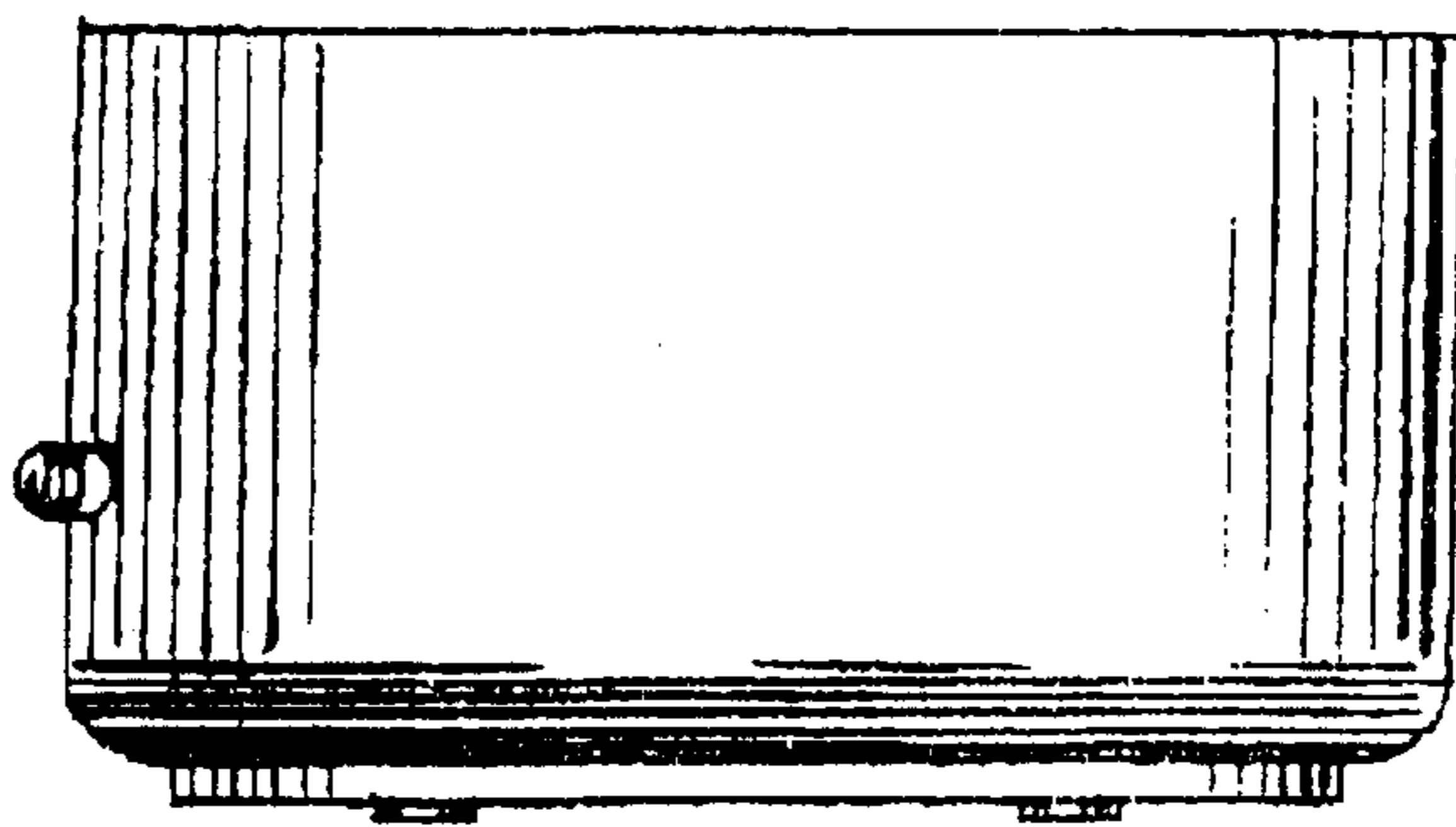


FIG. 11

