



US00D482164S

(12) **United States Design Patent**
Millhollin

(10) **Patent No.:** **US D482,164 S**

(45) **Date of Patent:** **** Nov. 11, 2003**

(54) **RESCUE TUBE**

(76) **Inventor:** **Jon B. Millhollin**, 876 S. Nelson St.,
Lakewood, CO (US) 80226

(**) **Term:** **14 Years**

(21) **Appl. No.:** **29/176,793**

(22) **Filed:** **Feb. 26, 2003**

(51) **LOC (7) Cl.** **29-02**

(52) **U.S. Cl.** **D29/124**

(58) **Field of Search** D29/124; D21/803,
D21/810; 441/80, 84, 85, 88, 89

(56) **References Cited**

U.S. PATENT DOCUMENTS

1,089,617	A	*	3/1914	Adams	441/1
2,088,251	A	*	7/1937	Walters	441/85
4,314,954	A		2/1982	Ringdal		
5,480,332	A		1/1996	Cynamon		
6,042,440	A	*	3/2000	Ettl	441/88
6,375,532	B1	*	4/2002	Eiband et al.	441/88
6,475,047	B2		11/2002	Cynamon		

* cited by examiner

Primary Examiner—Lucy Lieberman

(74) *Attorney, Agent, or Firm*—Dorr, Carson, Sloan &
Birney, P.C.

(57) **CLAIM**

The ornamental design for a rescue tube, as shown and described.

DESCRIPTION

FIG. 1 is a perspective view of a rescue tube showing my new design.

FIG. 2 is a top plan view thereof, with the bottom plan view being a mirror image of FIG. 2.

FIG. 3 is a right side elevational view thereof, with the left side elevational view being a mirror image of FIG. 3.

FIG. 4 is a front elevational view thereof; and,

FIG. 5 is a rear elevational view thereof.

The central portion of the strap is shown broken away in FIG. 1 to indicate indeterminate length. A portion of the claimed strap has been omitted in FIGS. 2 through 5 for ease of illustration.

1 Claim, 2 Drawing Sheets

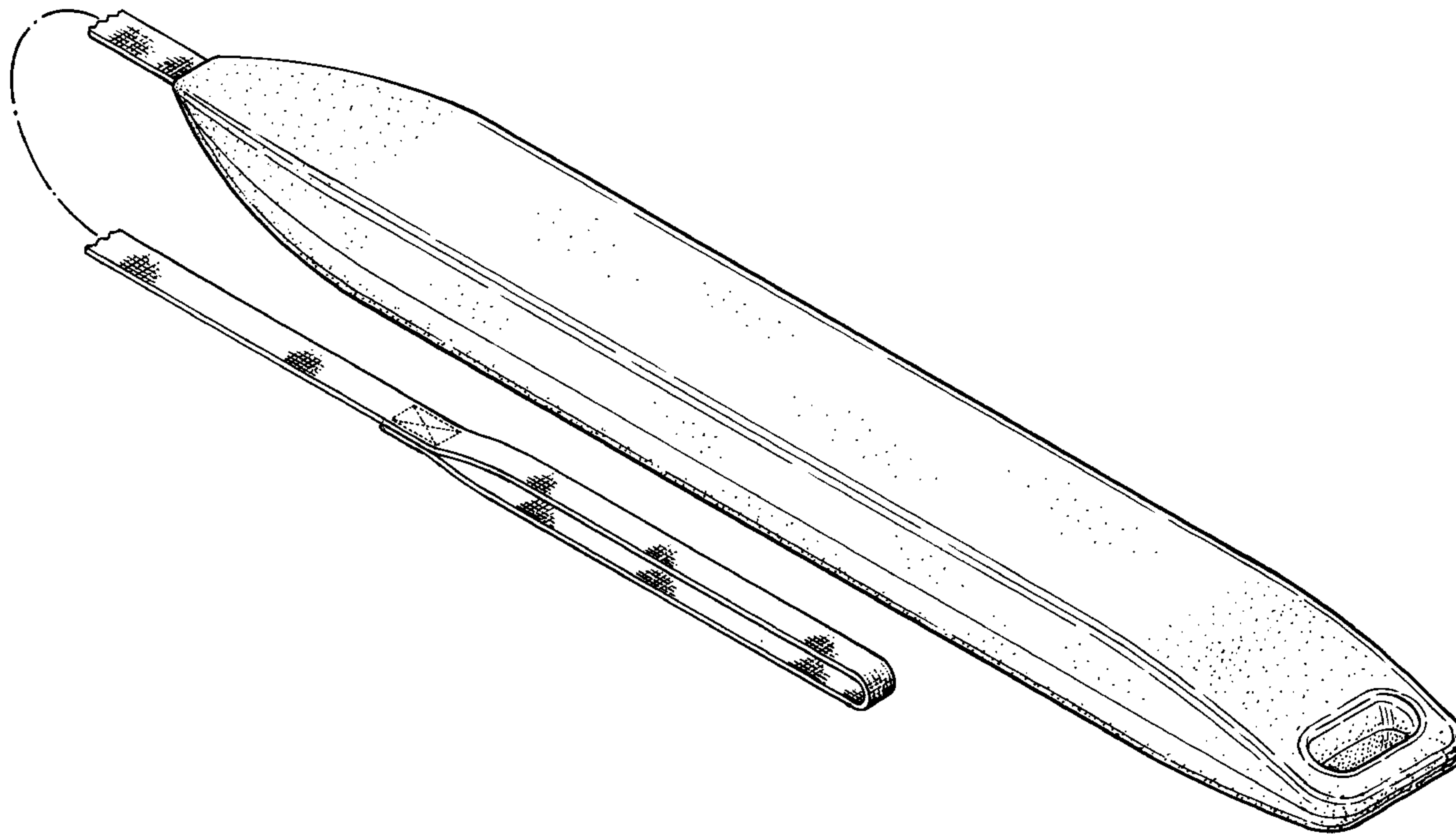
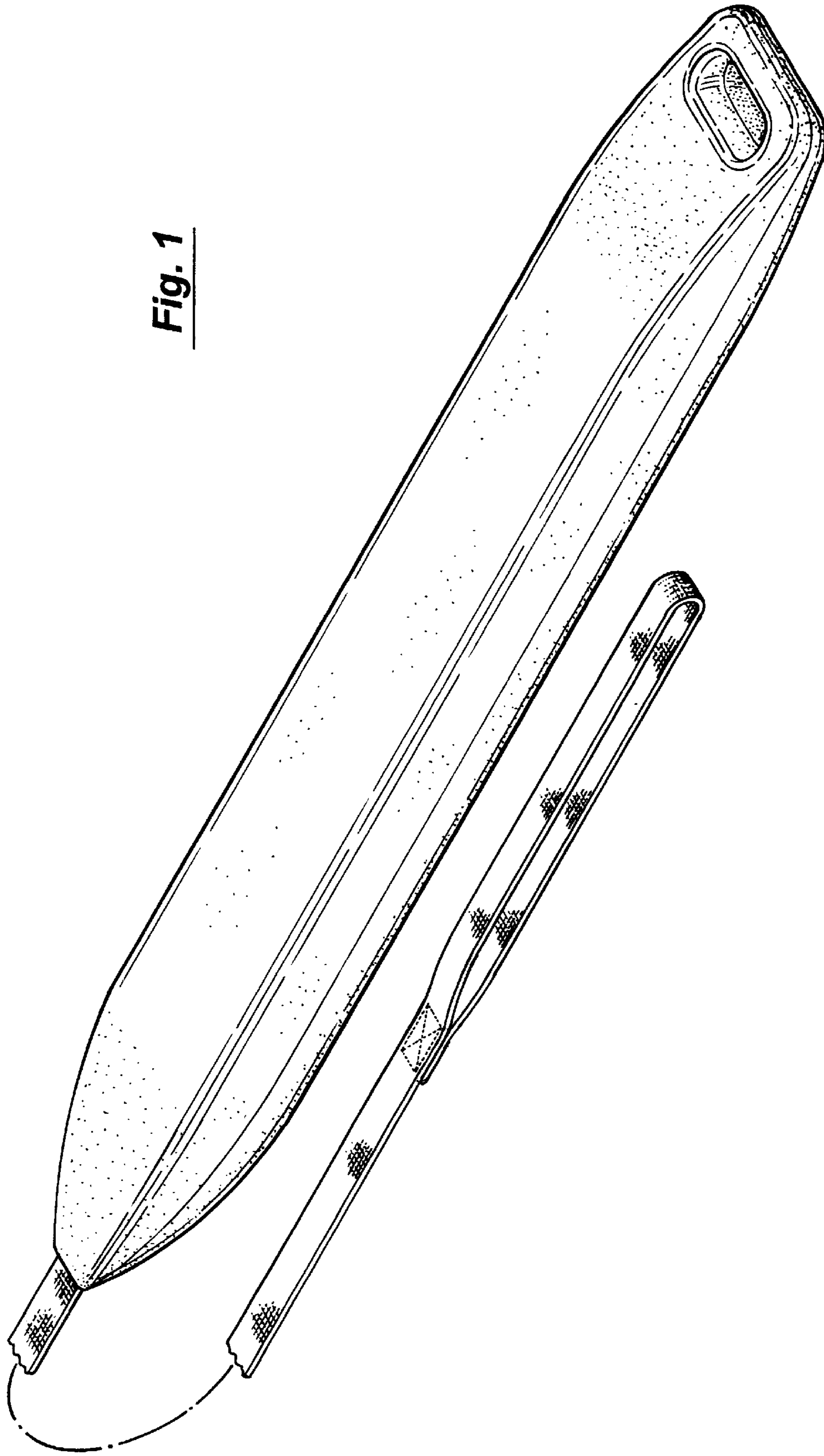


Fig. 1



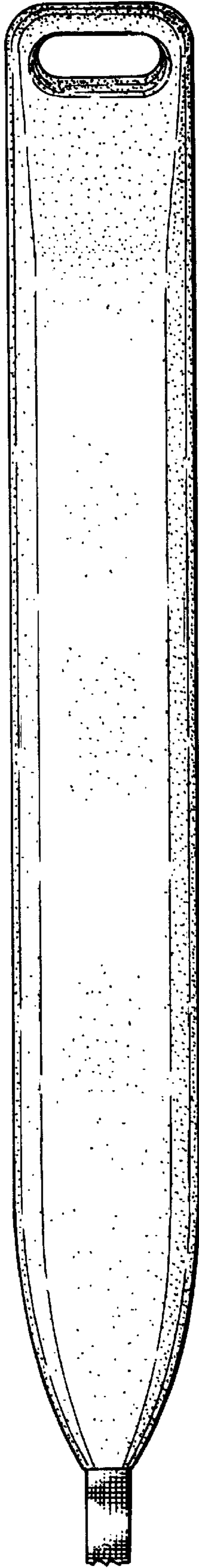


Fig. 2

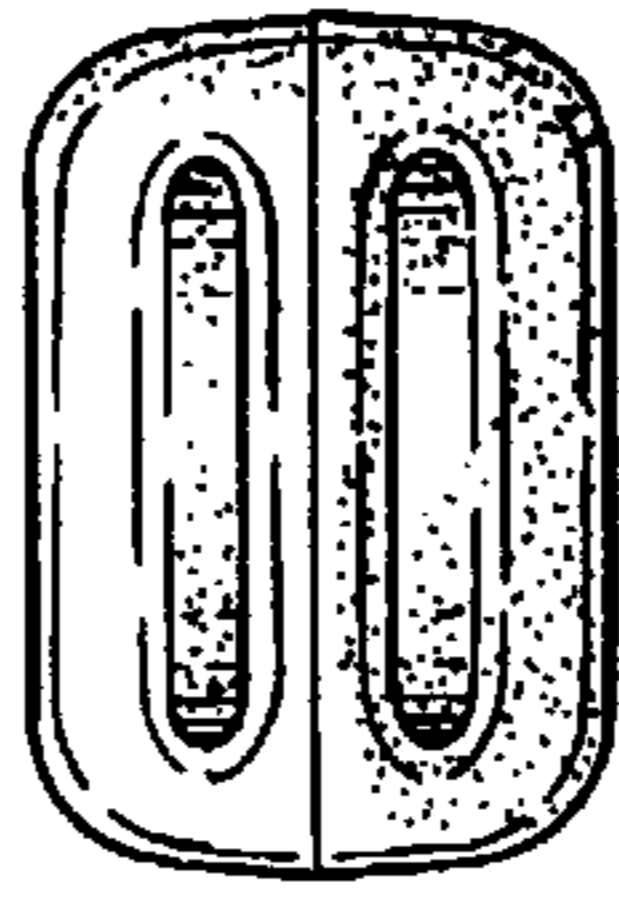


Fig. 5

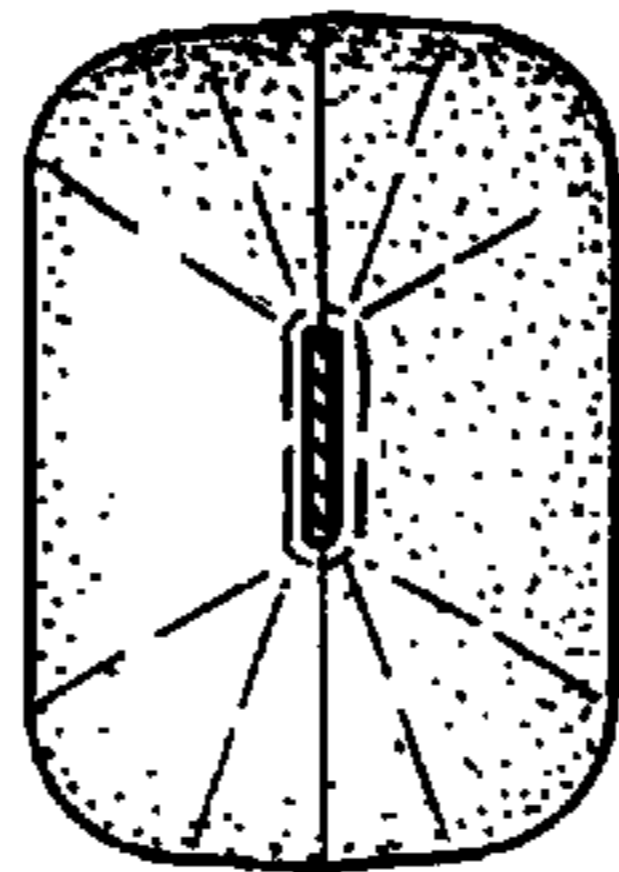


Fig. 4

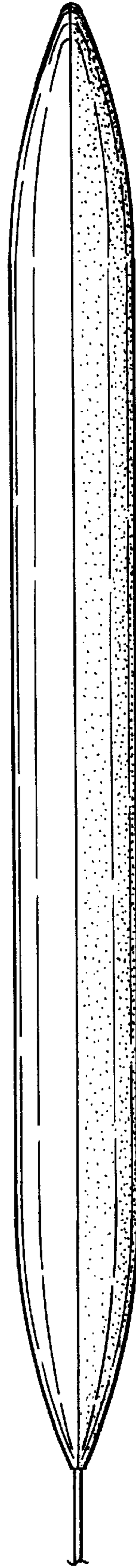


Fig. 3