



US00D482160S

(12) **United States Design Patent**
Paffrath

(10) **Patent No.:** **US D482,160 S**

(45) **Date of Patent:** **** Nov. 11, 2003**

(54) **TRAILER LAMP LENS**

(75) Inventor: **Edgar C. Paffrath**, Milwaukee, WI (US)

(73) Assignee: **Cequent Trailer Products, Inc.**, Mosinee, WI (US)

(**) Term: **14 Years**

(21) Appl. No.: **29/149,077**

(22) Filed: **Oct. 2, 2001**

(51) **LOC (7) Cl.** **26-99**

(52) **U.S. Cl.** **D26/139**

(58) **Field of Search** D26/28-36, 118-124, D26/139; 362/61, 80, 81, 82, 83, 326, 329-340, 351-361, 362

(56) **References Cited**

U.S. PATENT DOCUMENTS

D281,359 S * 11/1985 Ofield D26/139
D287,414 S * 12/1986 Giles et al. D26/139

OTHER PUBLICATIONS

Pages 2 and 4 from Wesbar catalog Form No. 108842/899 12M (not dated) Note: lens pictured has been on sale for more than one (1) year before the filing date of the present application.

Page from competitor, Peterson Manufacturing's web page showing lens (<http://www.pmlights.com/441.htm>) Copyright 1999.

Page 3 from Wesbar catalog Form No. 108842/899 12M (not dated).

* cited by examiner

Primary Examiner—Marcus A. Jackson

(74) *Attorney, Agent, or Firm*—Robert H. Earp, III; McDonald Hopkins Co, LPA

(57) **CLAIM**

The ornamental design for a trailer lamp lens, as shown and described.

DESCRIPTION

FIG. 1 is a front, top, right-hand perspective view of a trailer lamp lens showing my new design;

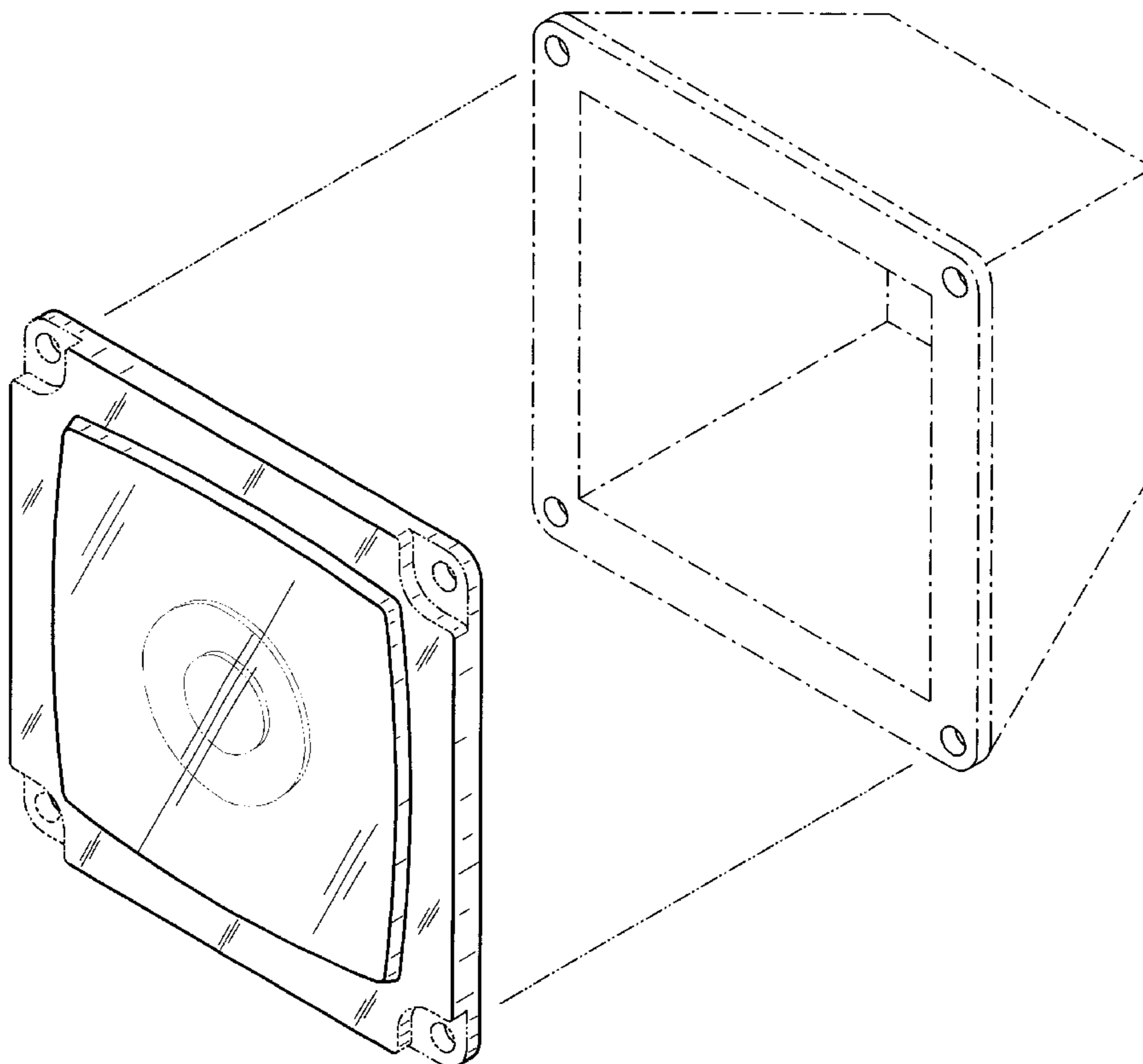
FIG. 2 is a front elevational view thereof;

FIG. 3 is a top view thereof with the bottom and left and right side views being identical thereto; and,

FIG. 4 is a rear elevational view thereof.

The broken lines shown in FIGS. 1 through 4 are used for illustrative purposes only and form no part of the claimed design.

1 Claim, 3 Drawing Sheets



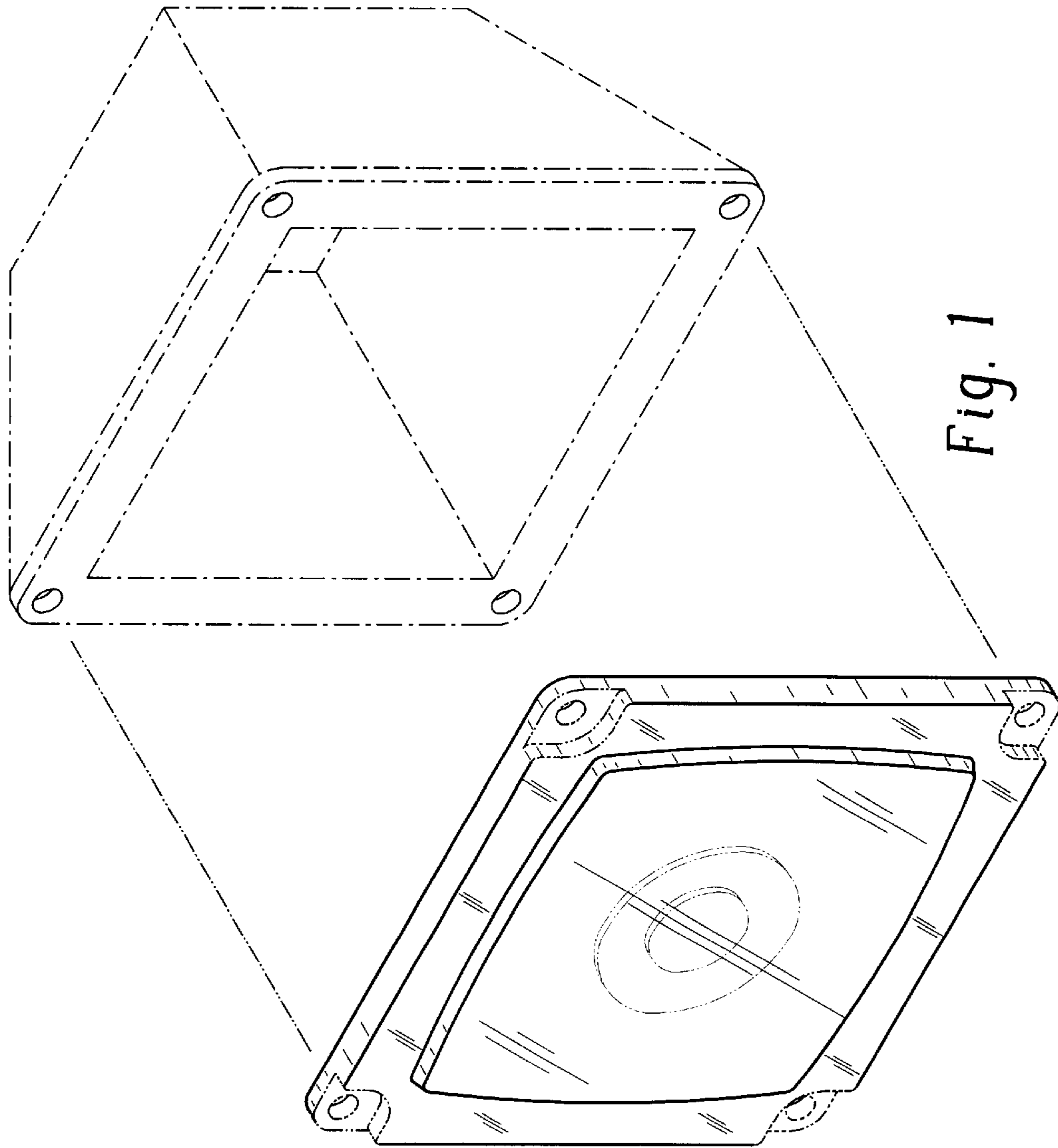


Fig. 1

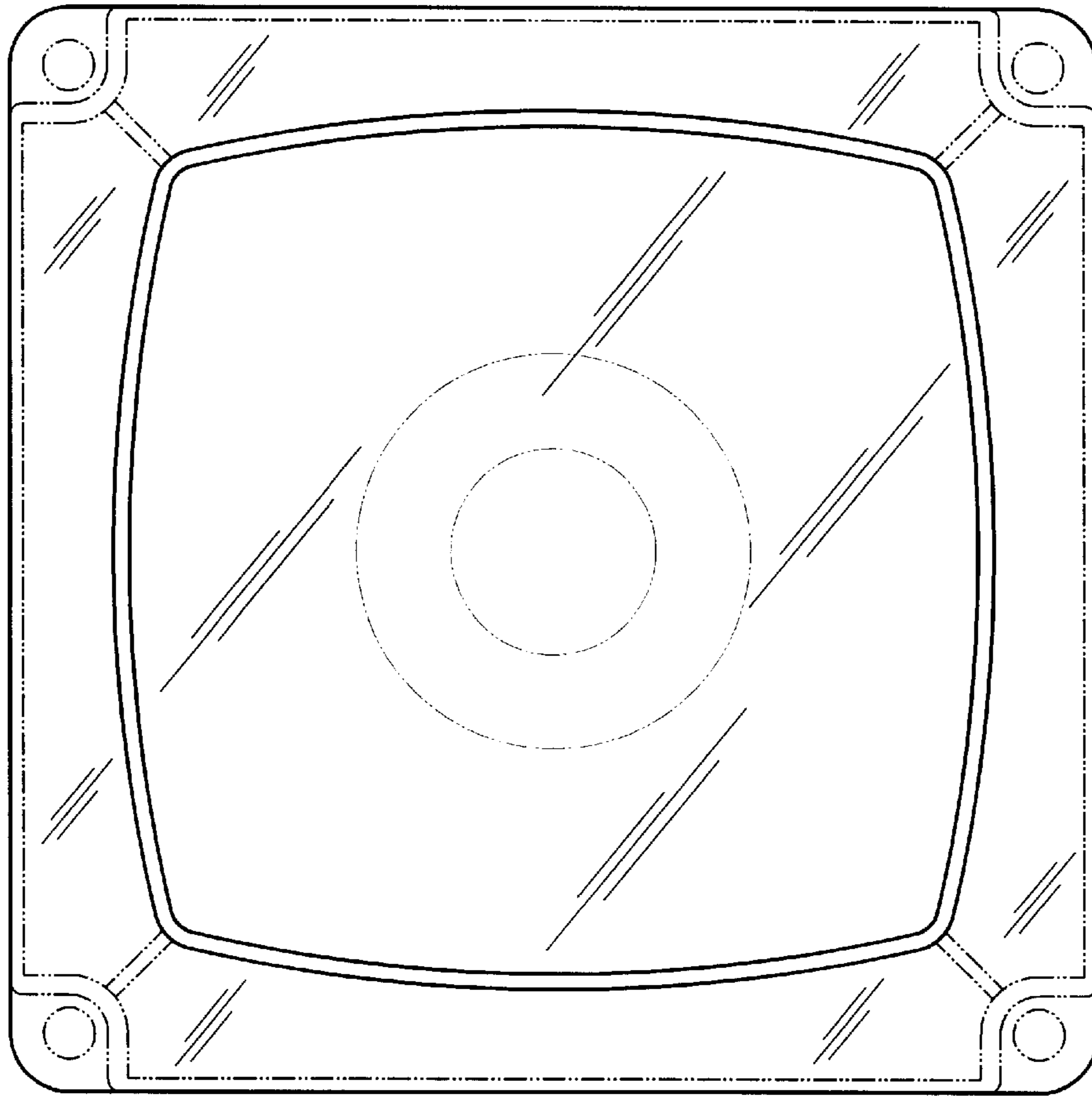


Fig. 2

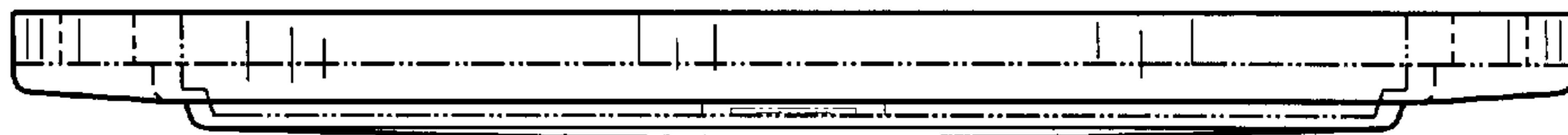


Fig. 3

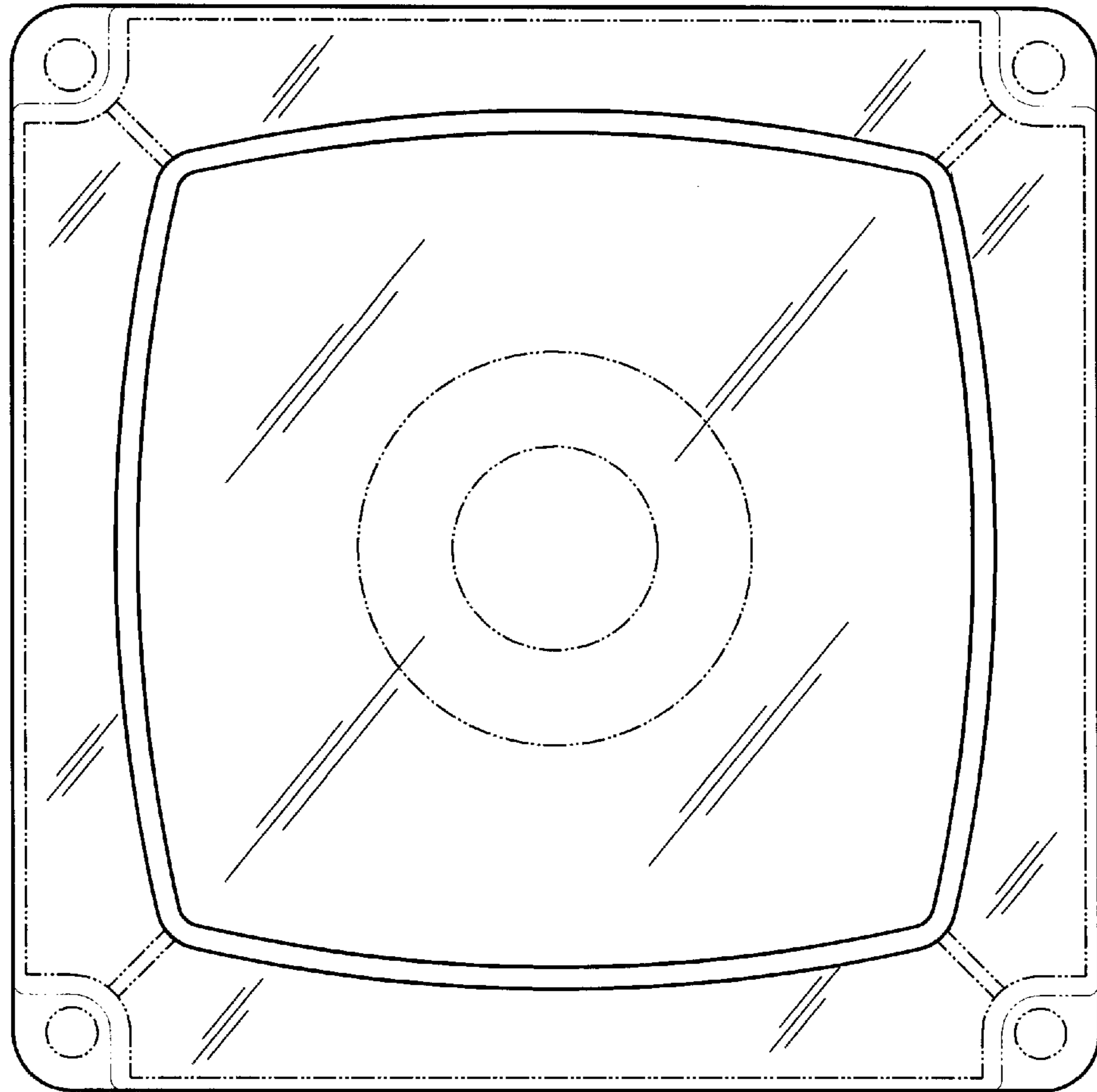


Fig. 4