



US00D482158S

(12) **United States Design Patent**
Velikov et al.

(10) **Patent No.:** **US D482,158 S**

(45) **Date of Patent:** **** Nov. 11, 2003**

(54) **LAMPSHADE**

(76) Inventors: **Ivan Valkov Velikov**, P.O. Box 48,
Kustendil, Bulgaria, 2500 (BG);
Antoaneta Emilianova Eneva, P.O.
Box 48, Kustendil, Bulgaria, 2500 (BG)

(**) Term: **14 Years**

(21) Appl. No.: **29/176,722**

(22) Filed: **Feb. 27, 2003**

(51) **LOC (7) Cl.** **28-99**

(52) **U.S. Cl.** **D26/128**

(58) **Field of Search** D26/118, 128,
D26/129; 362/351, 355, 356, 357, 359,
360, 352

(56) **References Cited**

U.S. PATENT DOCUMENTS

4,079,245	A	*	3/1978	Baker	362/355
6,000,817	A	*	12/1999	Chan	362/352
D426,342	S	*	6/2000	Hoffbauer	D26/128

* cited by examiner

Primary Examiner—Jennifer Rivard

(57) **CLAIM**

The ornamental design for a lampshade, as shown and described.

DESCRIPTION

FIG. 1 is a front elevational view of a lampshade showing our new design, the rear side view being identical;

FIG. 2 is a left side elevational view thereof, the right side view being identical;

FIG. 3 is a top plan view thereof, the bottom plan view being identical;

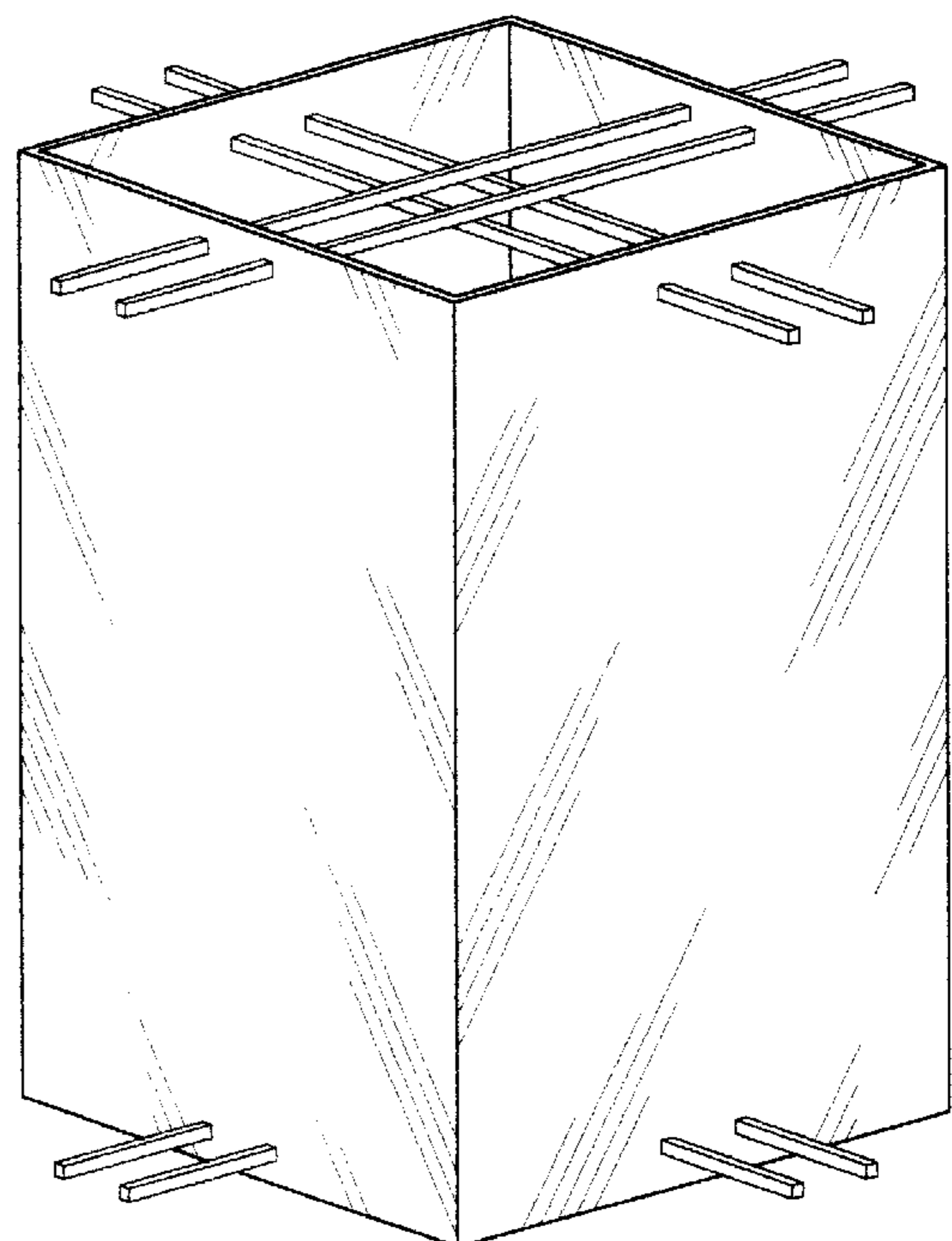
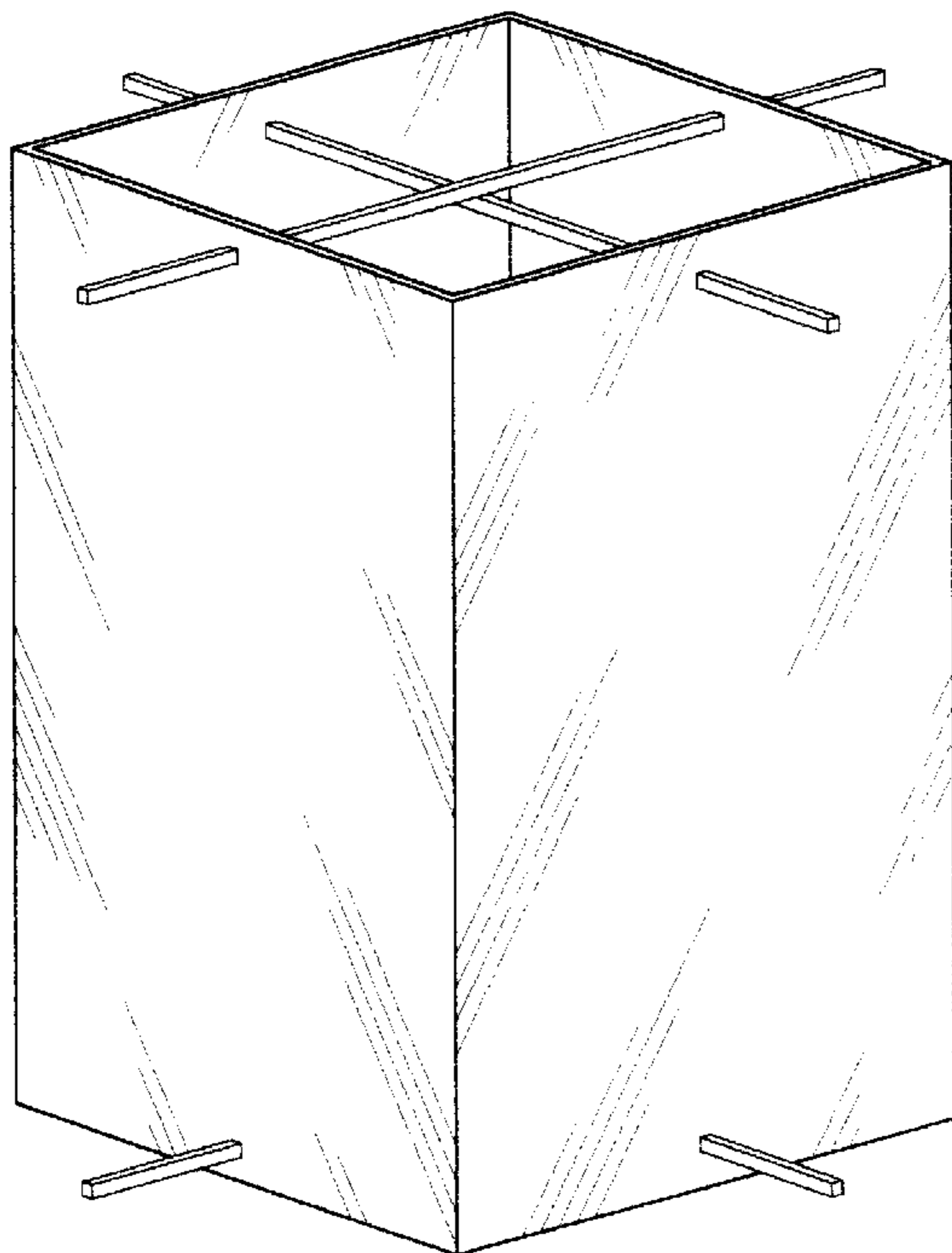
FIG. 4 is a perspective view thereof;

FIG. 5 is a perspective view of a modified form of the design shown in FIGS. 1–4 having square-shaped sticks doubled;

FIG. 6 is a perspective view of a modified form of the design shown in FIGS. 1–4 having round-shaped sticks; and,

FIG. 7 is a perspective view of a modified form of the design shown in FIGS. 1–4 having round-shaped sticks doubled.

1 Claim, 2 Drawing Sheets



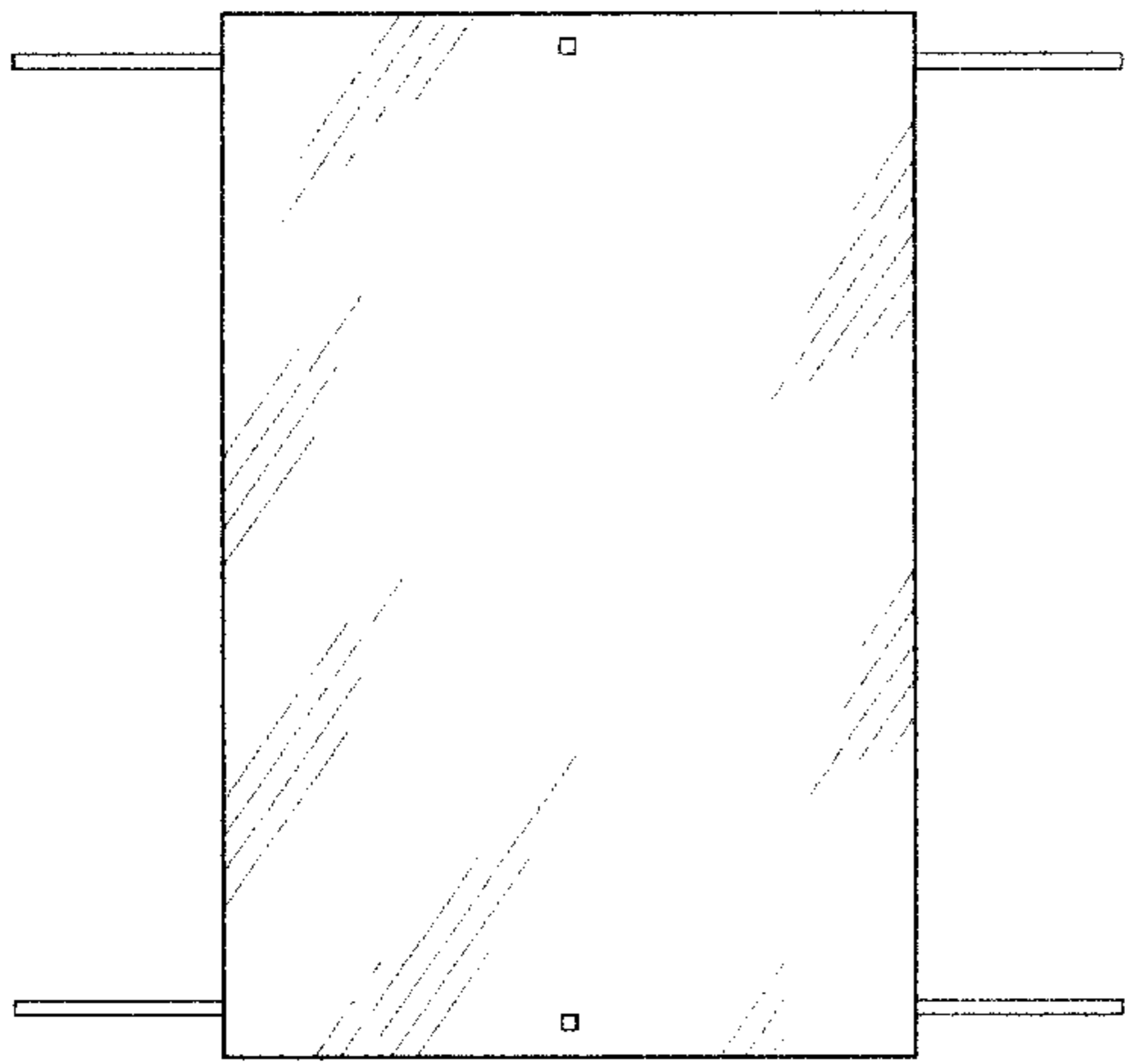


FIG. 1

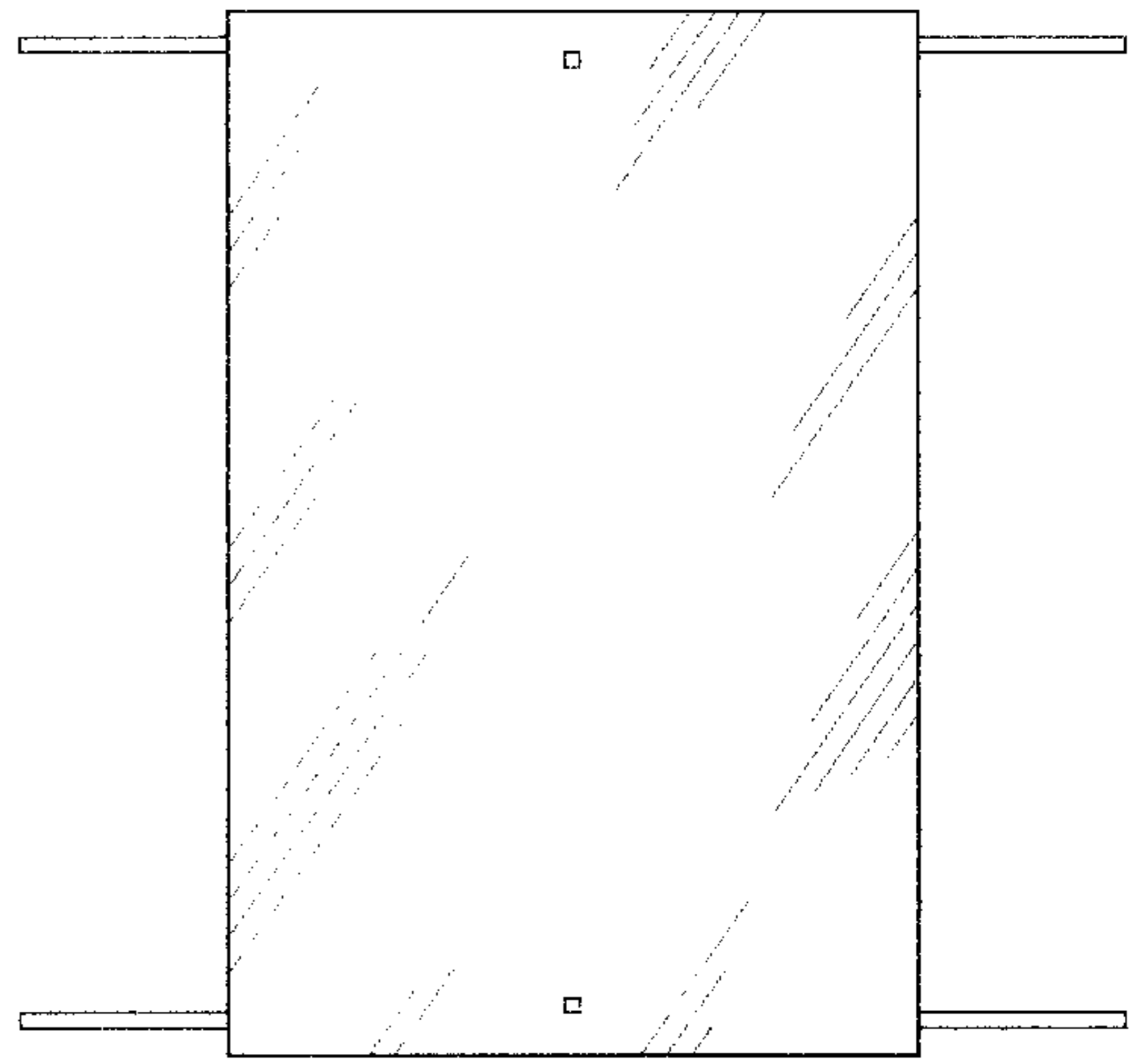


FIG. 2

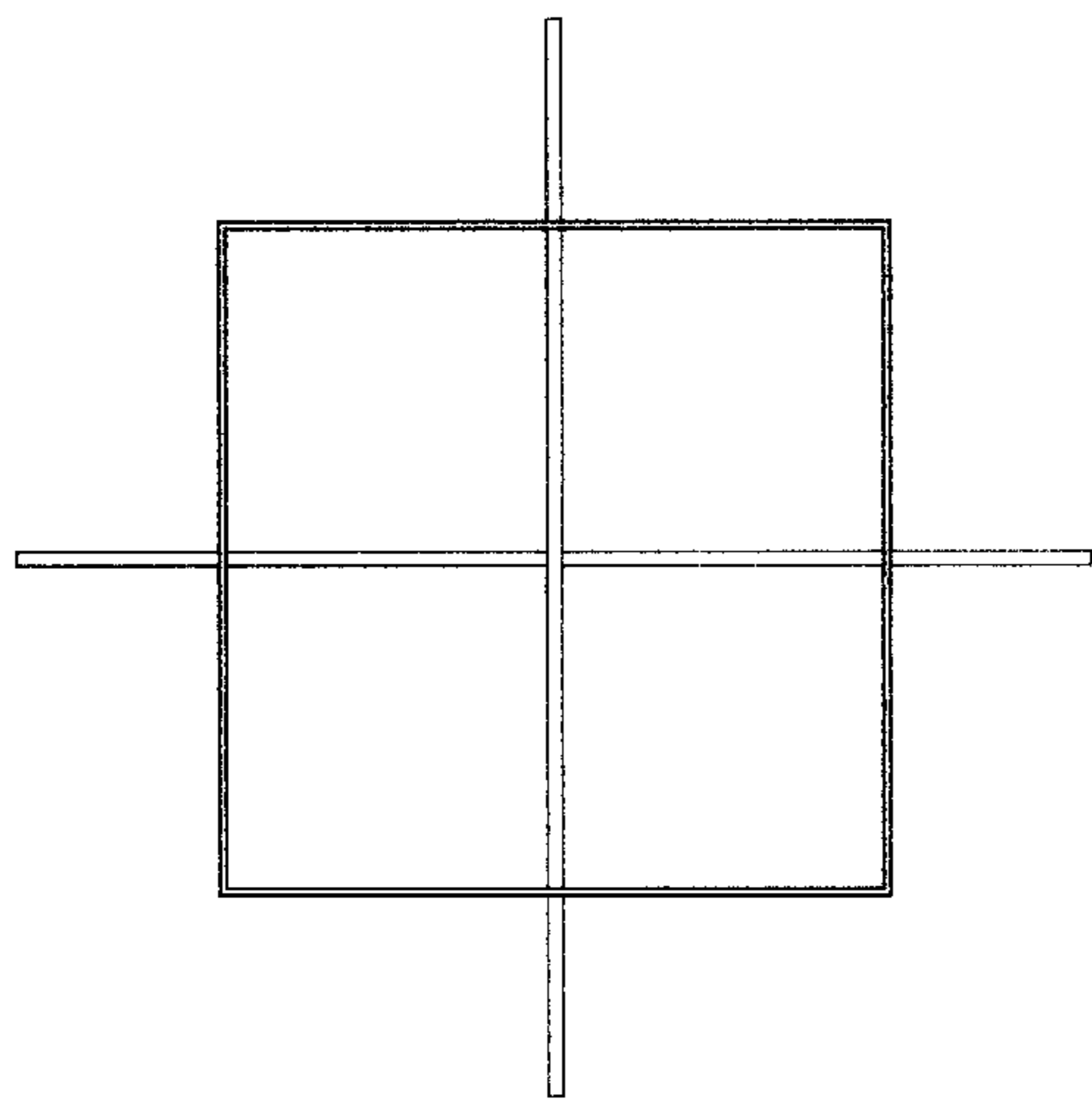


FIG. 3

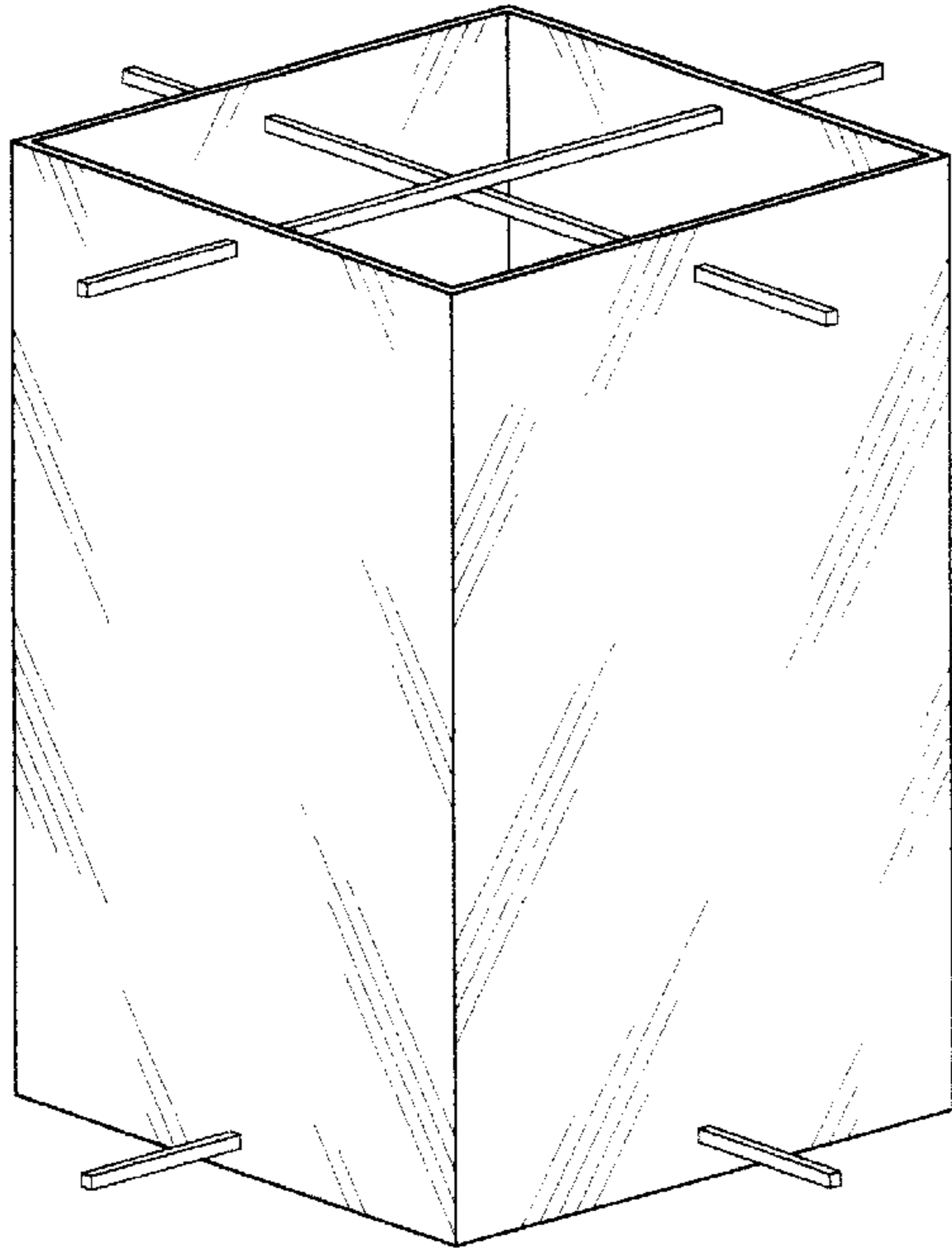


FIG. 4

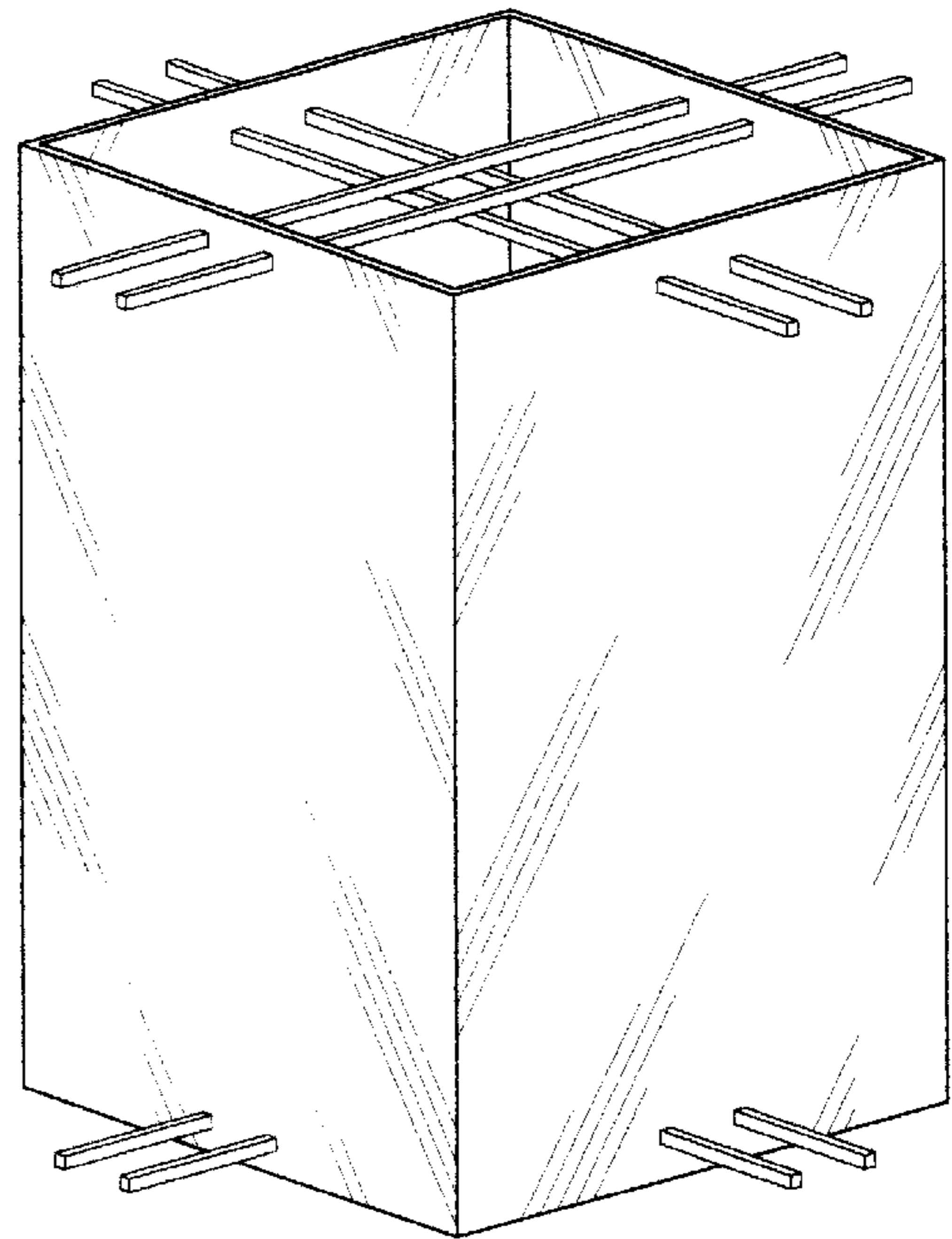


FIG. 5

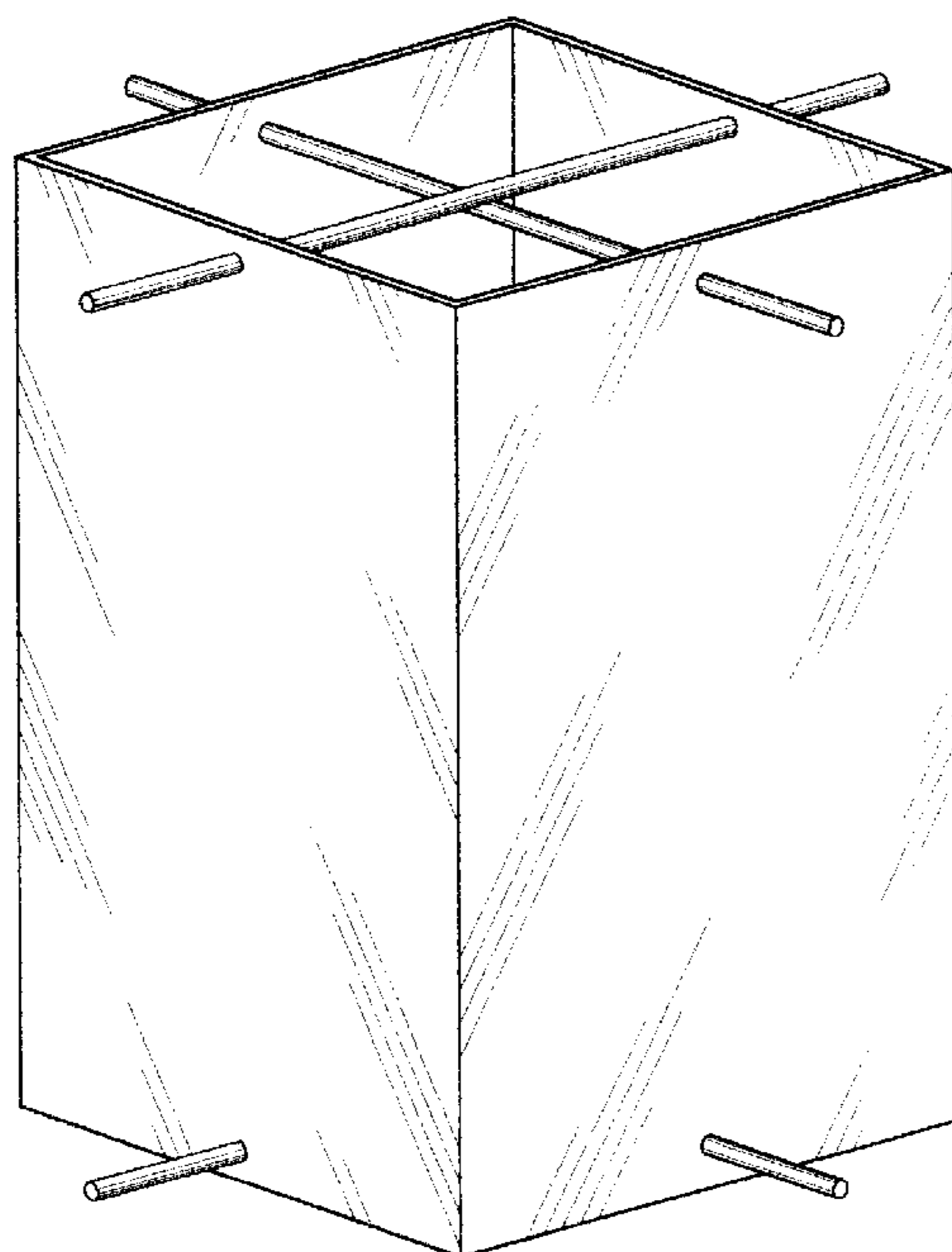


FIG. 6

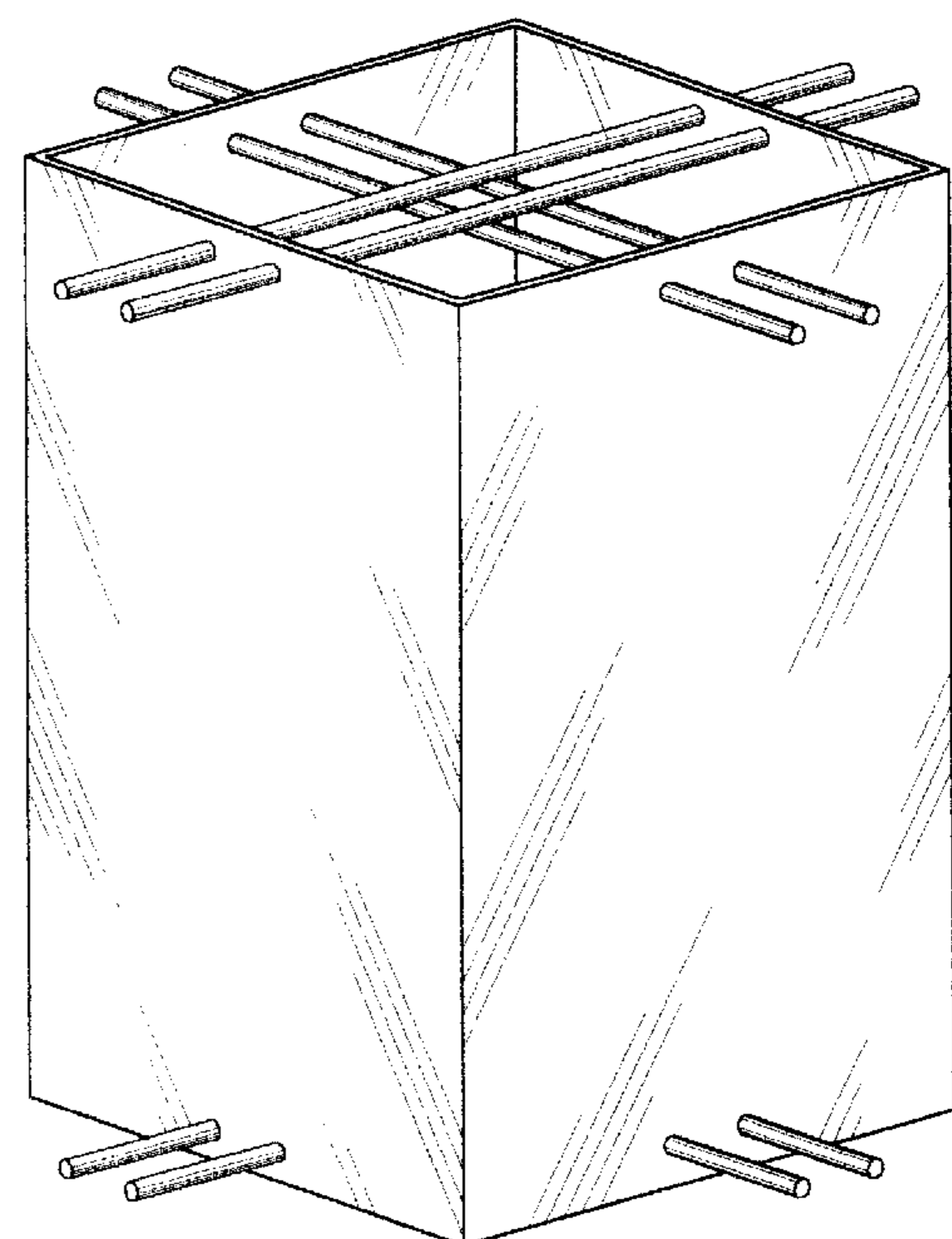


FIG. 7