



US00D482155S

(12) **United States Design Patent**  
**Lo**

(10) **Patent No.:** **US D482,155 S**

(45) **Date of Patent:** **\*\* Nov. 11, 2003**

(54) **LAMP**

(75) Inventor: **David Lo**, Taipei (TW)

(73) Assignee: **The Holmes Group, Inc.**, Milford, MA (US)

(\*\*) Term: **14 Years**

(21) Appl. No.: **29/171,025**

(22) Filed: **Nov. 15, 2002**

(51) **LOC (7) Cl.** ..... **26-03**

(52) **U.S. Cl.** ..... **D26/110**

(58) **Field of Search** ..... D26/9-11, 93-112;  
362/392, 410-414, 431, 806, 810; 431/126,  
288, 289, 291, 295, 297

(56) **References Cited**

**U.S. PATENT DOCUMENTS**

D203,621 S \* 2/1966 Gross ..... D26/96  
D366,719 S \* 1/1996 Porter ..... D26/93

\* cited by examiner

*Primary Examiner*—Pamela Burgess

*Assistant Examiner*—Linda Brooks

(74) *Attorney, Agent, or Firm*—Hoffmann & Baron, LLP;  
Francis E. Marino

(57) **CLAIM**

The ornamental design for a lamp, as shown and described.

**DESCRIPTION**

FIG. 1 is a top front perspective view of a lamp showing my new design;

FIG. 2 is a top plan view thereof;

FIG. 3 is a front plan view thereof;

FIG. 4 is a top front perspective view of a lamp showing a second embodiment of my new design;

FIG. 5 is a top plan view thereof; and,

FIG. 6 is a front plan view thereof.

The bottom views (not shown) form no part of the claimed design. The subject matter shown in broken lines at the top of the lamp and within the bounds of the base of the lamp is for illustrative purposes only and forms no part of the claimed design.

**1 Claim, 6 Drawing Sheets**

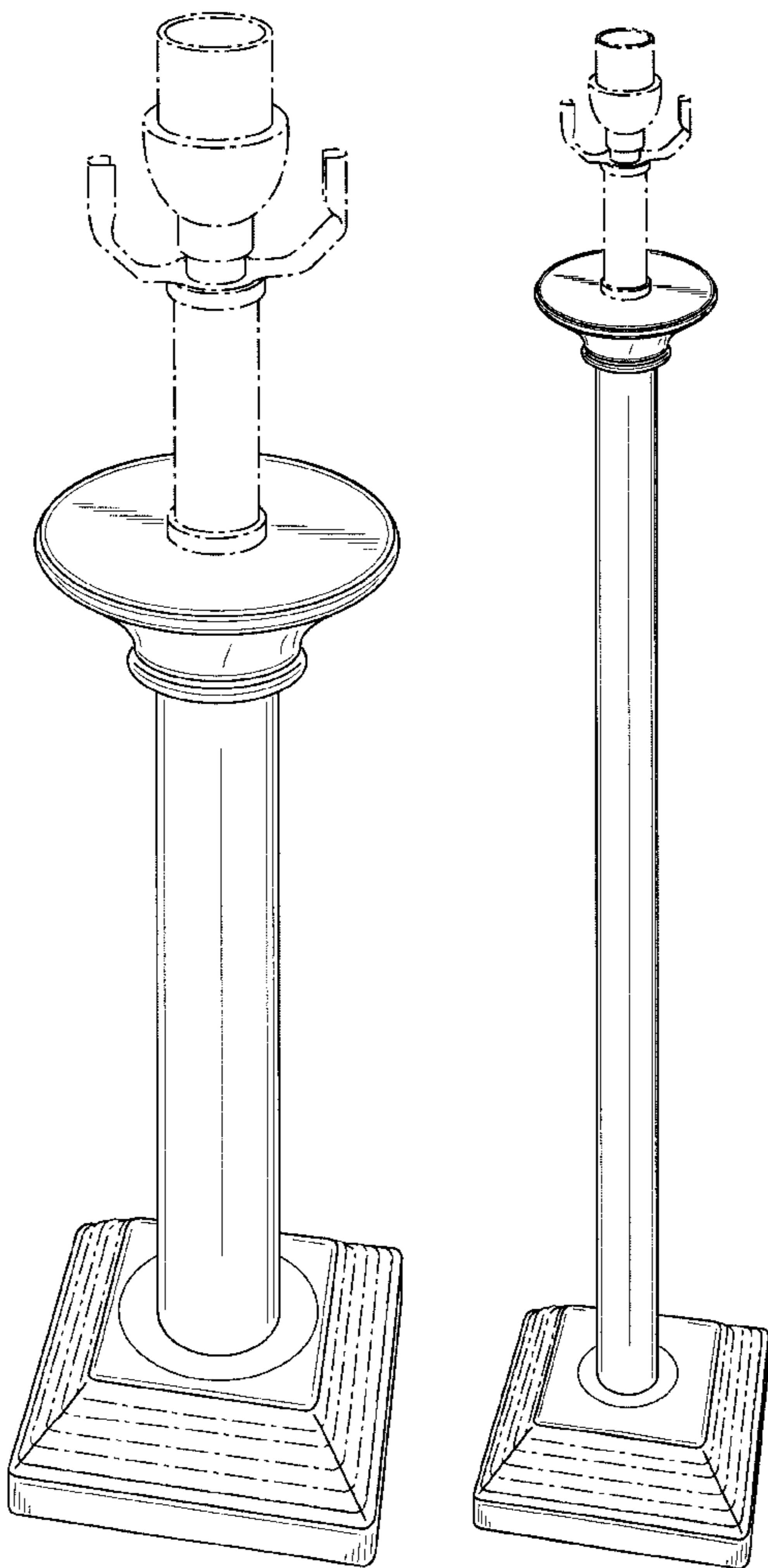


FIG. 1

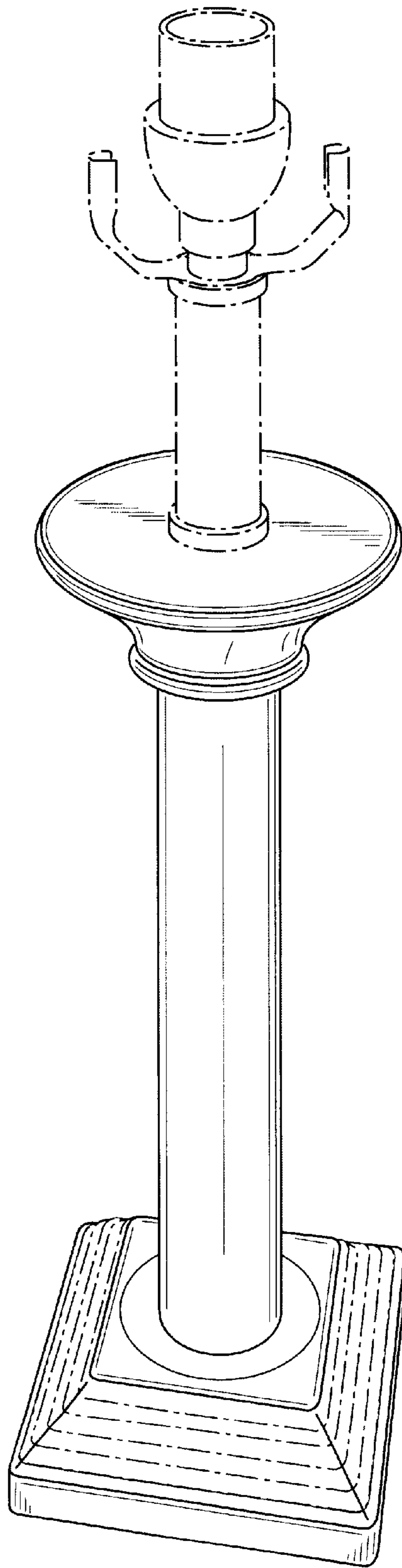


FIG. 2

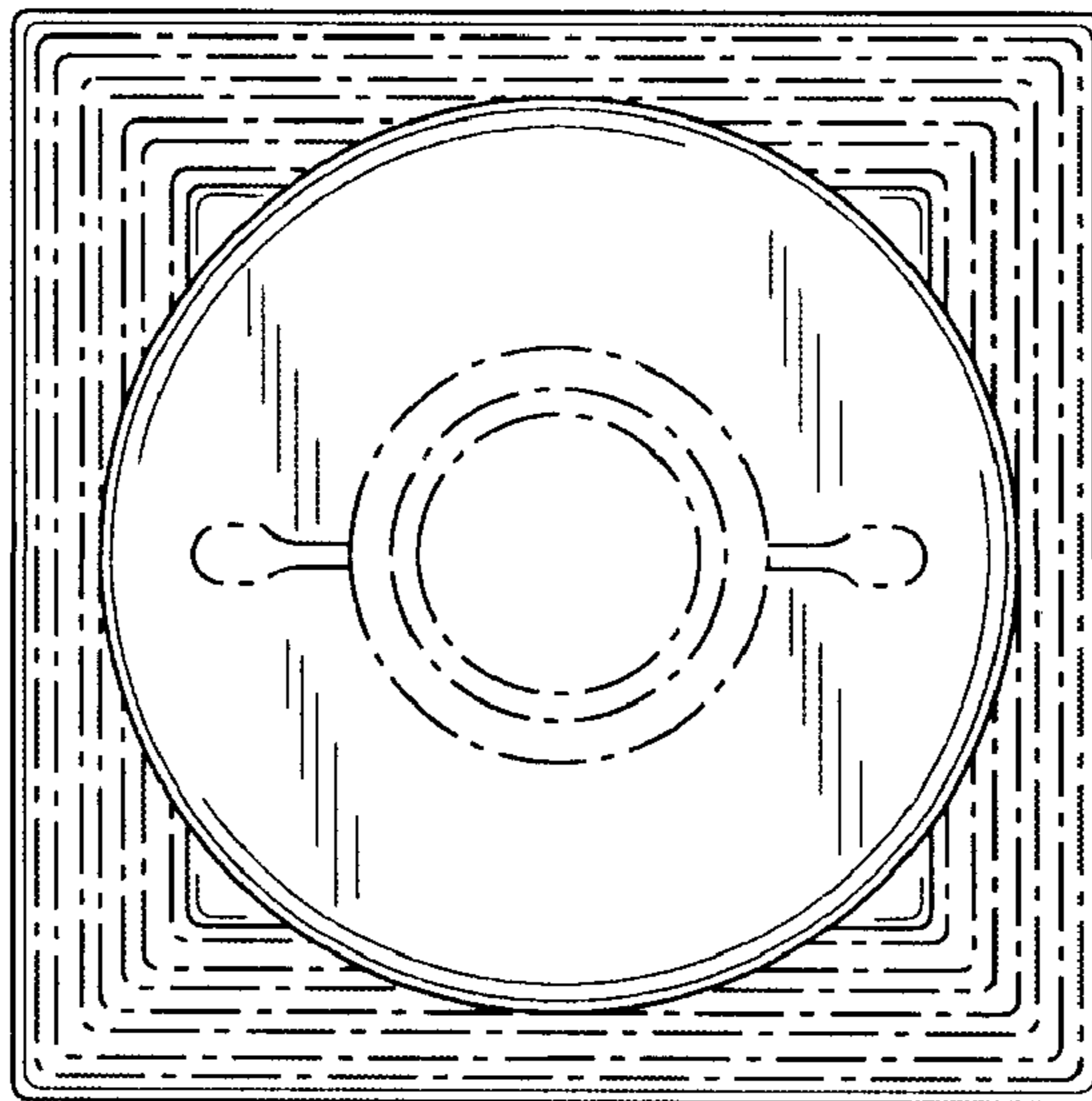


FIG. 3

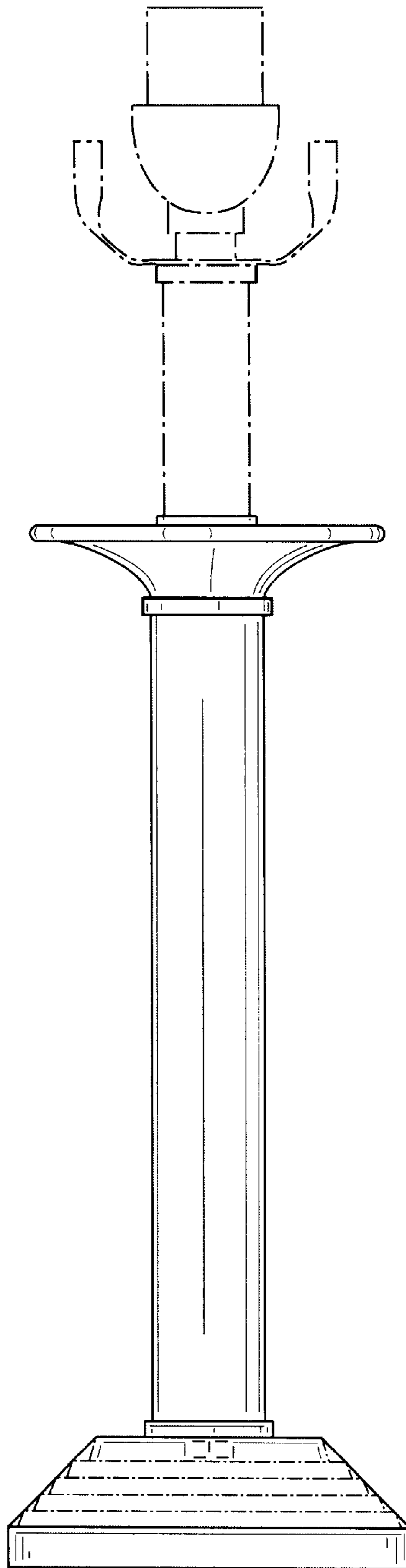


FIG. 4

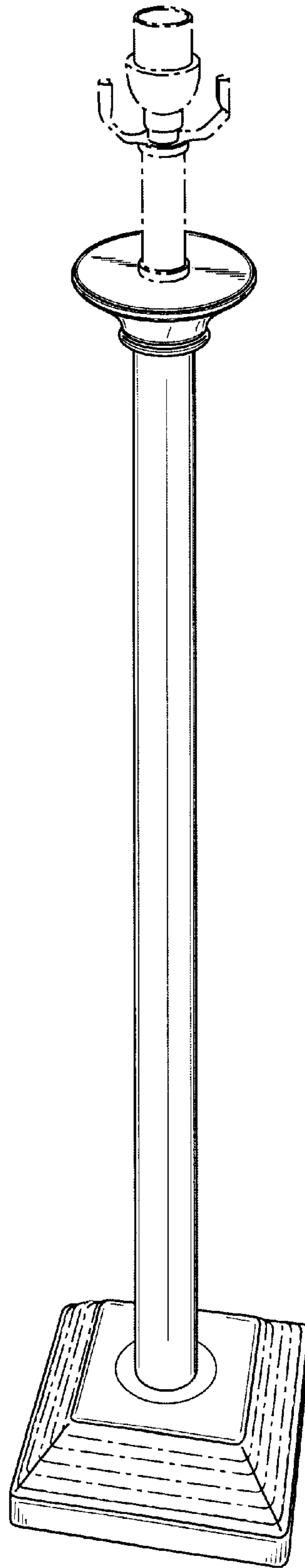


FIG. 5

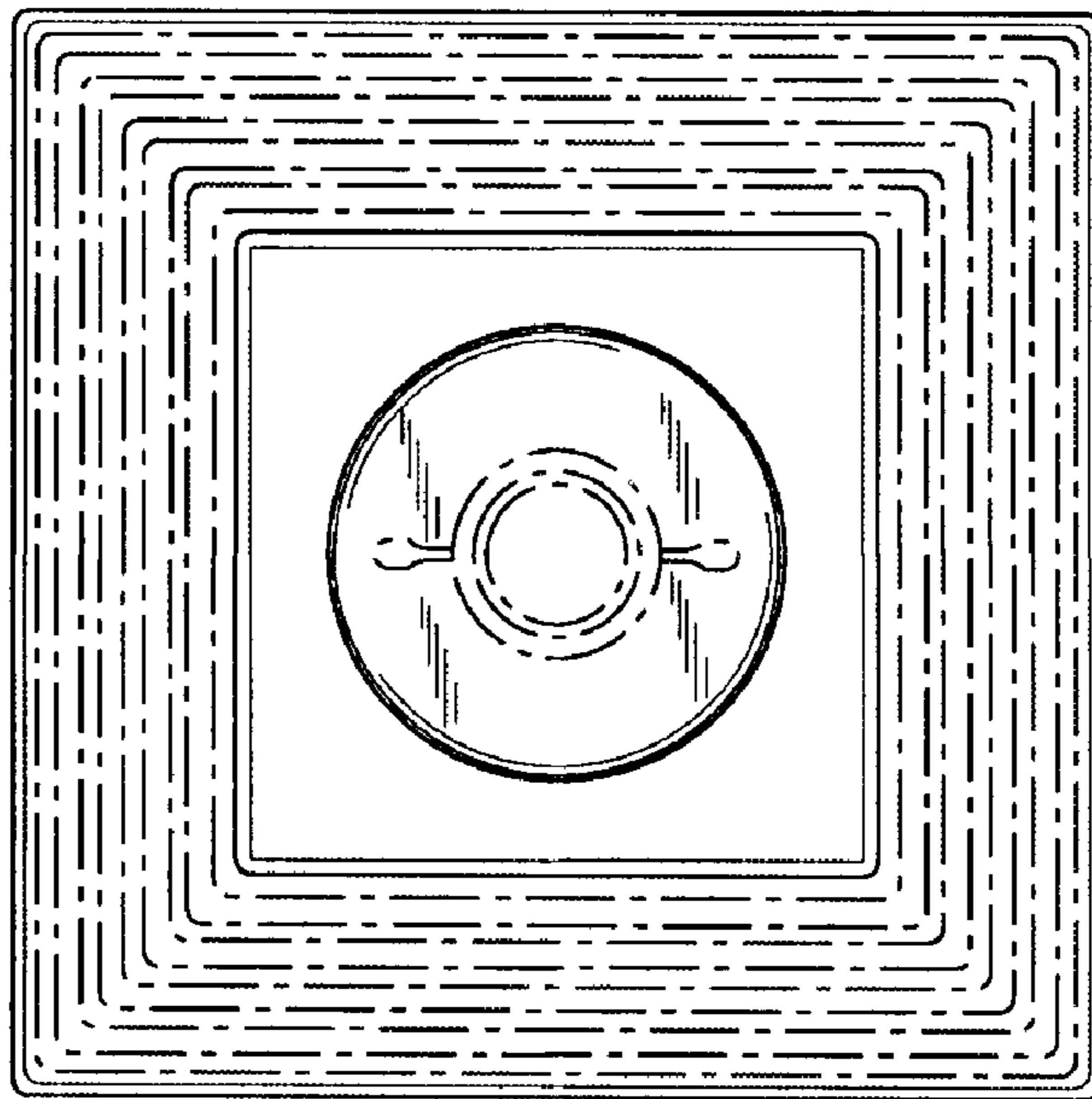


FIG. 6

