



US00D482152S

(12) **United States Design Patent**  
**Hussaini et al.**

(10) **Patent No.:** **US D482,152 S**

(45) **Date of Patent:** **\*\* Nov. 11, 2003**

(54) **WORK LIGHT**

D451,226 S \* 11/2001 Leen ..... D26/63  
D475,479 S \* 6/2003 Lin ..... D26/64

(75) Inventors: **Saied Hussaini**, Miami, FL (US); **Marc Iacovelli**, Miami, FL (US)

\* cited by examiner

(73) Assignee: **Rally Manufacturing, Inc.**, Miami, FL (US)

*Primary Examiner*—Clare E. Heflin

(74) *Attorney, Agent, or Firm*—Liniak, Berenato & White

(\*\*) Term: **14 Years**

(57) **CLAIM**

The ornamental design for a work light, as shown and described.

(21) Appl. No.: **29/177,300**

**DESCRIPTION**

(22) Filed: **Mar. 10, 2003**

(51) **LOC (7) Cl.** ..... **26-05**

FIG. 1 is a front View of the work light according to the present invention.

(52) **U.S. Cl.** ..... **D26/63**

FIG. 2 is a rear view of the work light of FIG. 1.

(58) **Field of Search** ..... D26/60-66, 72;  
362/269, 270, 275, 277, 278, 281, 283-289,  
400-402, 423, 427

FIG. 3 is a left side view of the work light of FIG. 1.

FIG. 4 is a right side view of the work light of FIG. 1.

FIG. 5 is a top view of the work light of FIG. 1.

FIG. 6 is a bottom view of the work light of FIG. 1; and,

FIG. 7 is a front perspective view of the work light of FIG. 1.

(56) **References Cited**

**U.S. PATENT DOCUMENTS**

D279,928 S \* 7/1985 McNabb et al. .... D26/63  
6,050,710 A \* 4/2000 Grossman et al. .... 362/427  
D443,940 S \* 6/2001 Donato ..... D26/63

The broken lines shown on the drawings are for illustrative purposes only and form no part of the claimed design.

**1 Claim, 7 Drawing Sheets**

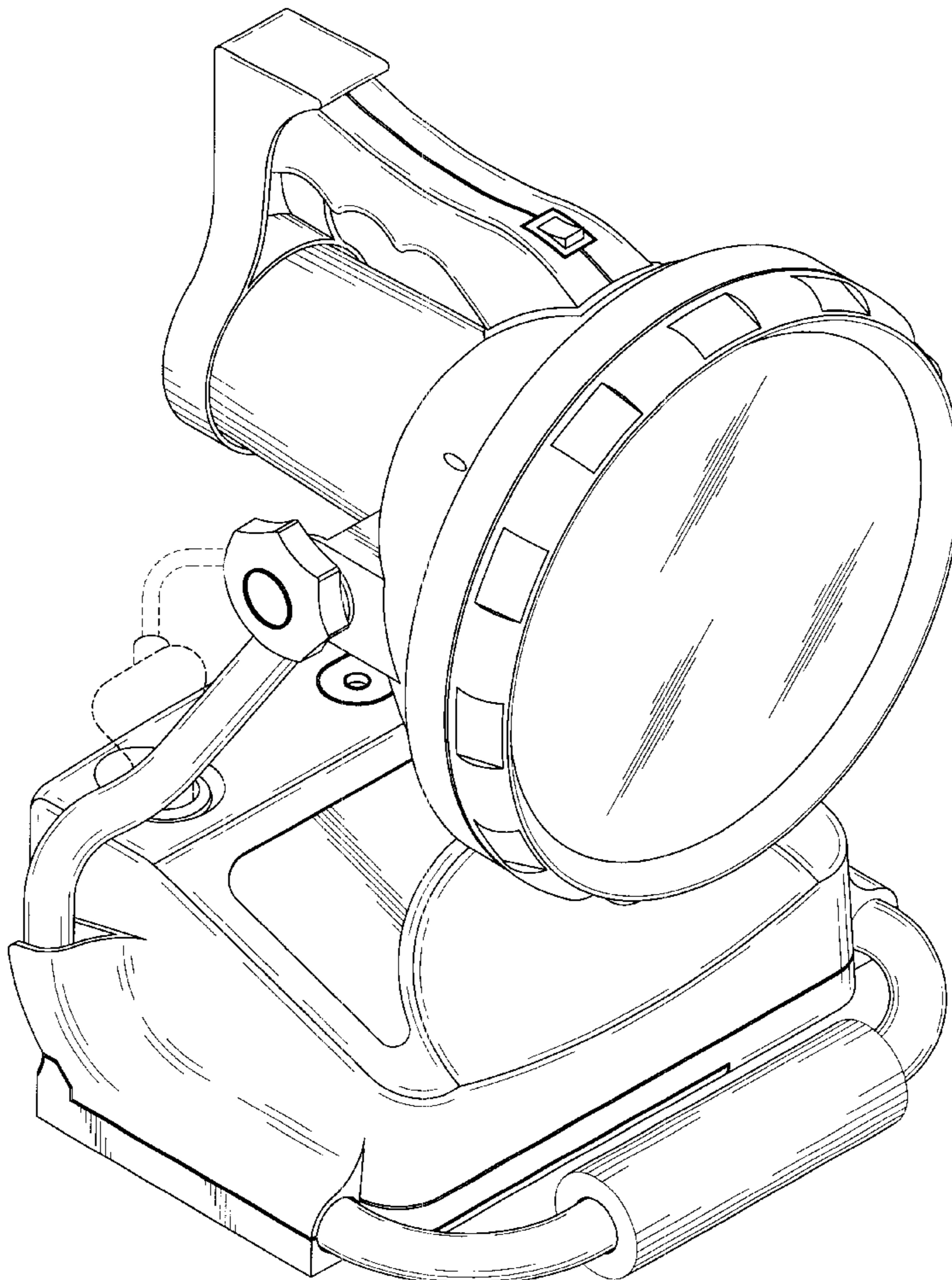


Fig. 1

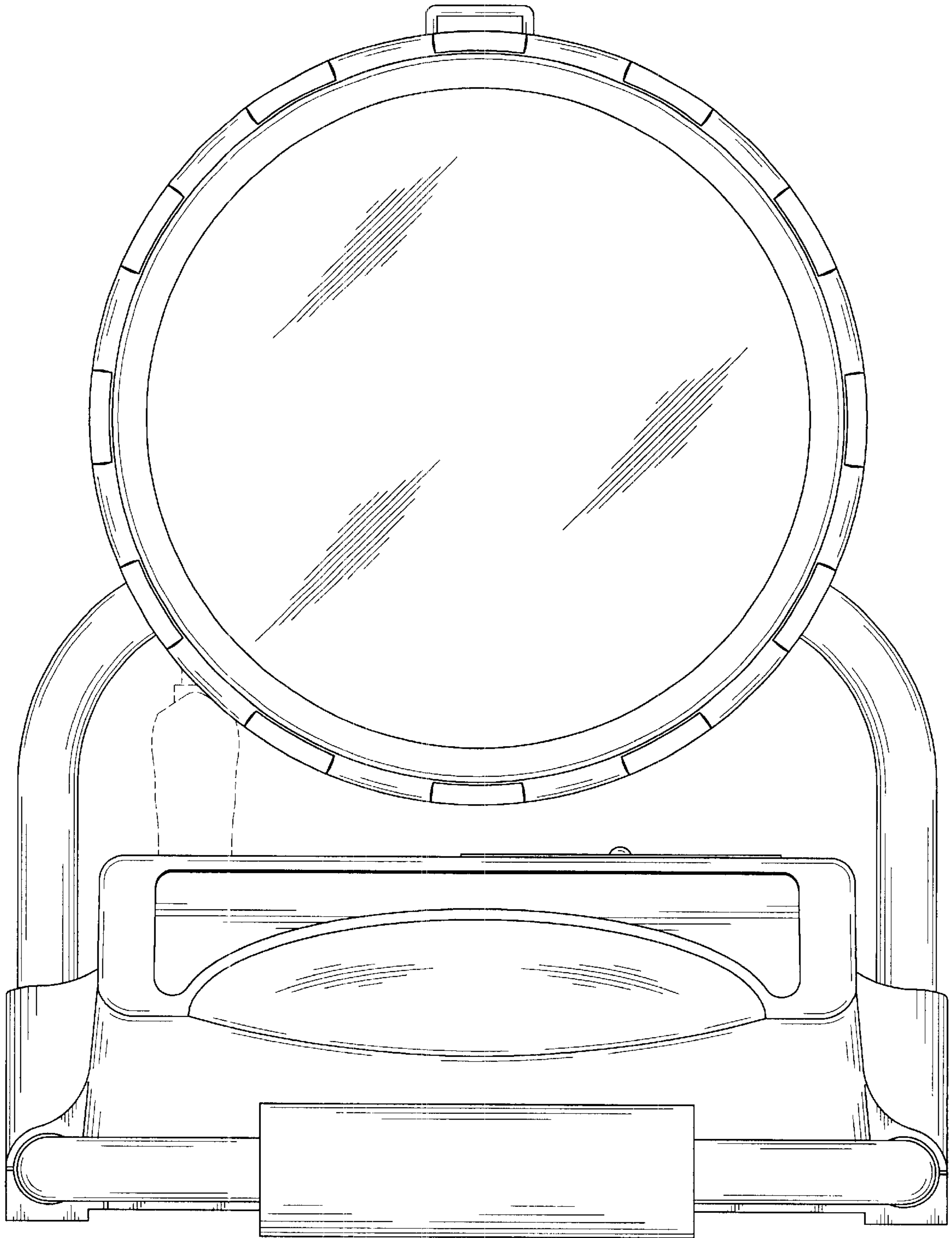


Fig. 2

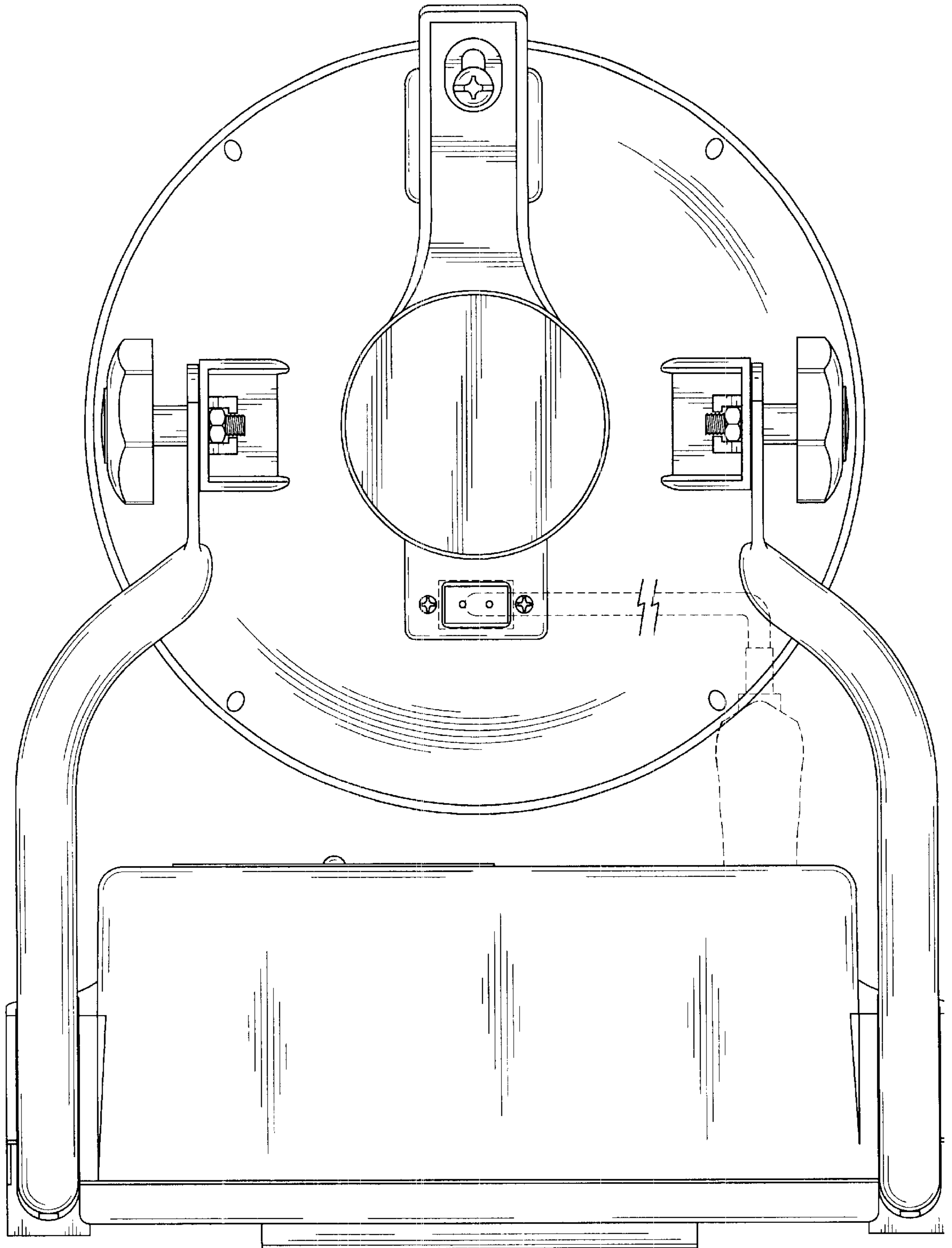


Fig. 3

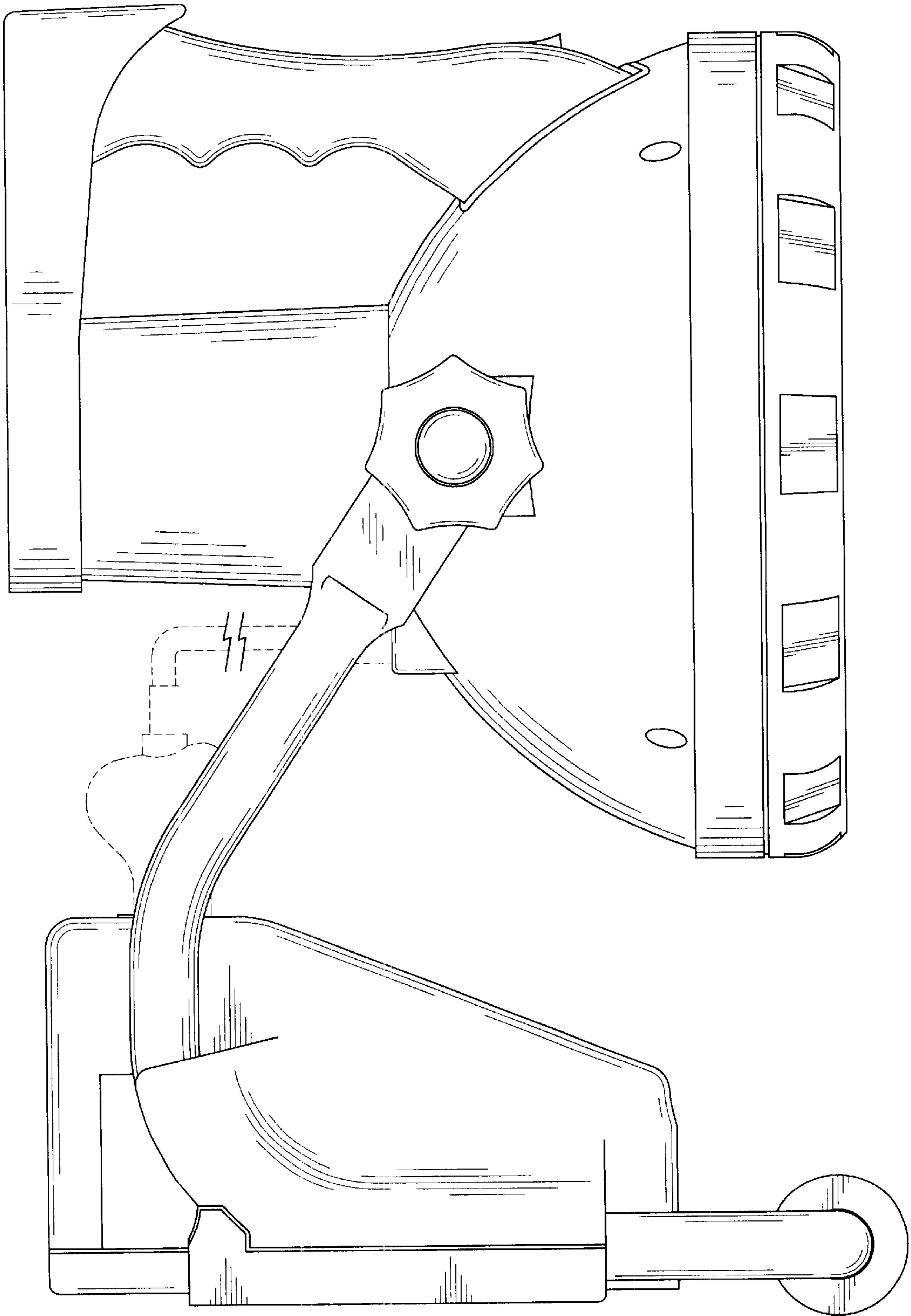


Fig. 4

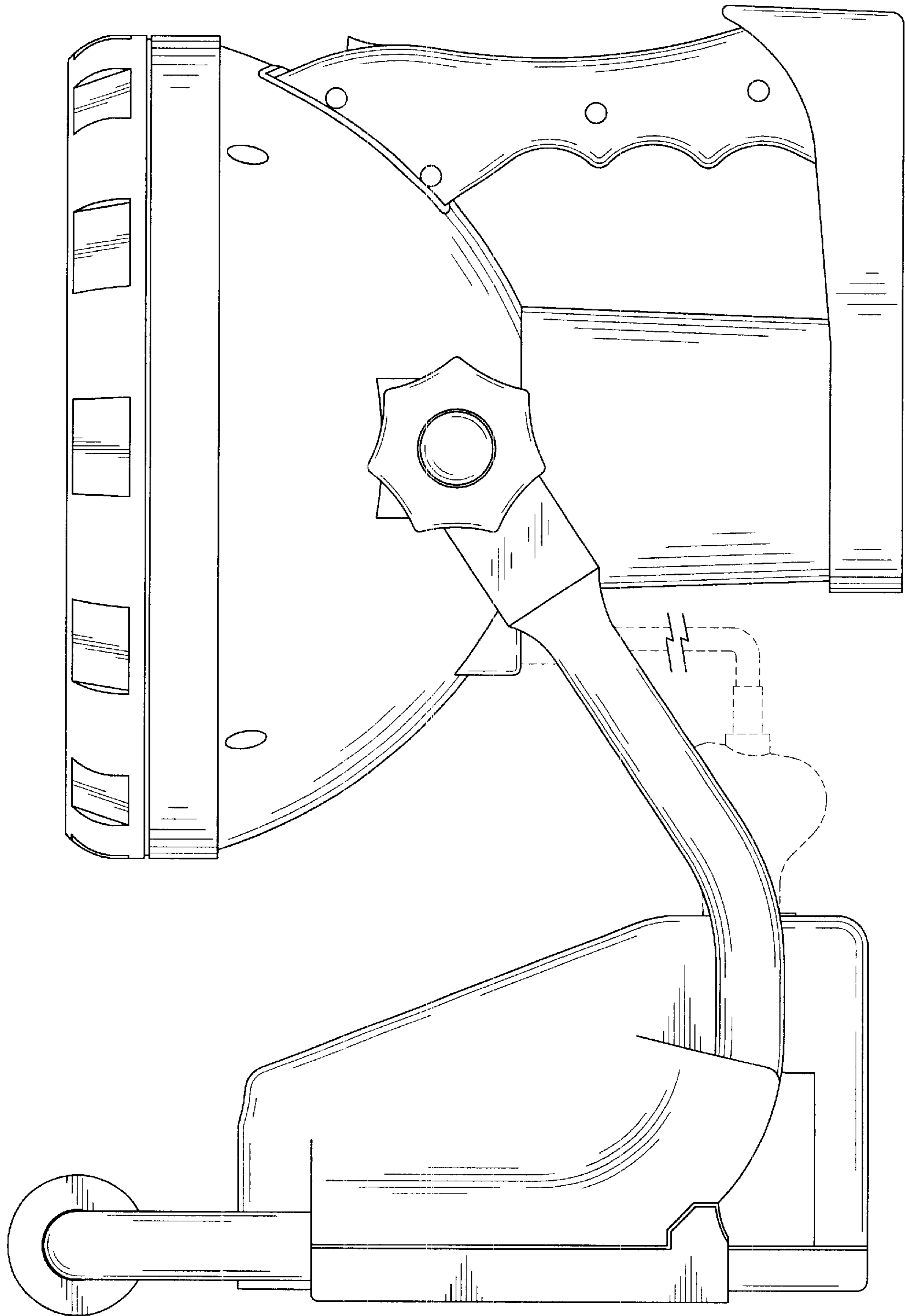


Fig. 5

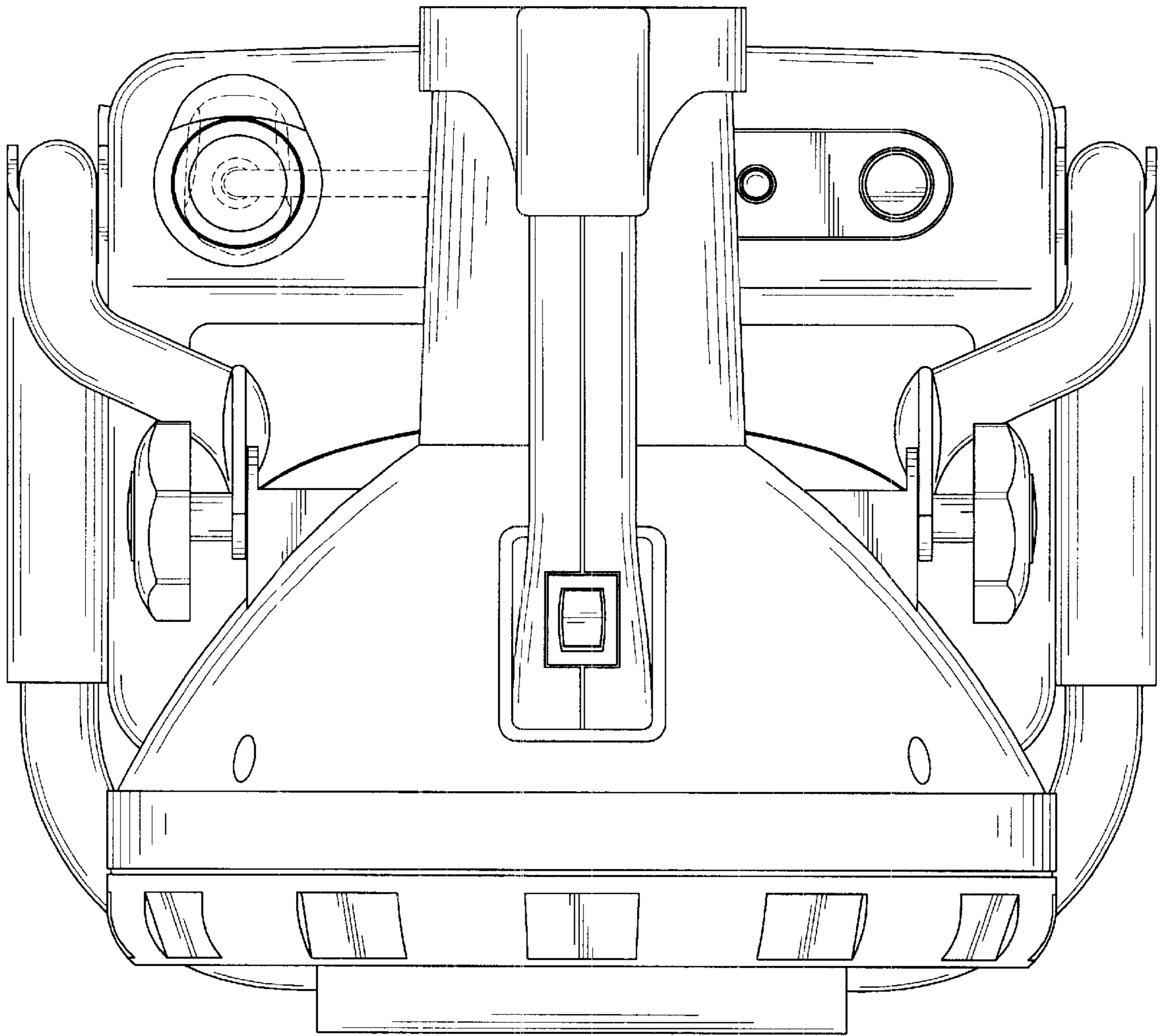


Fig. 6

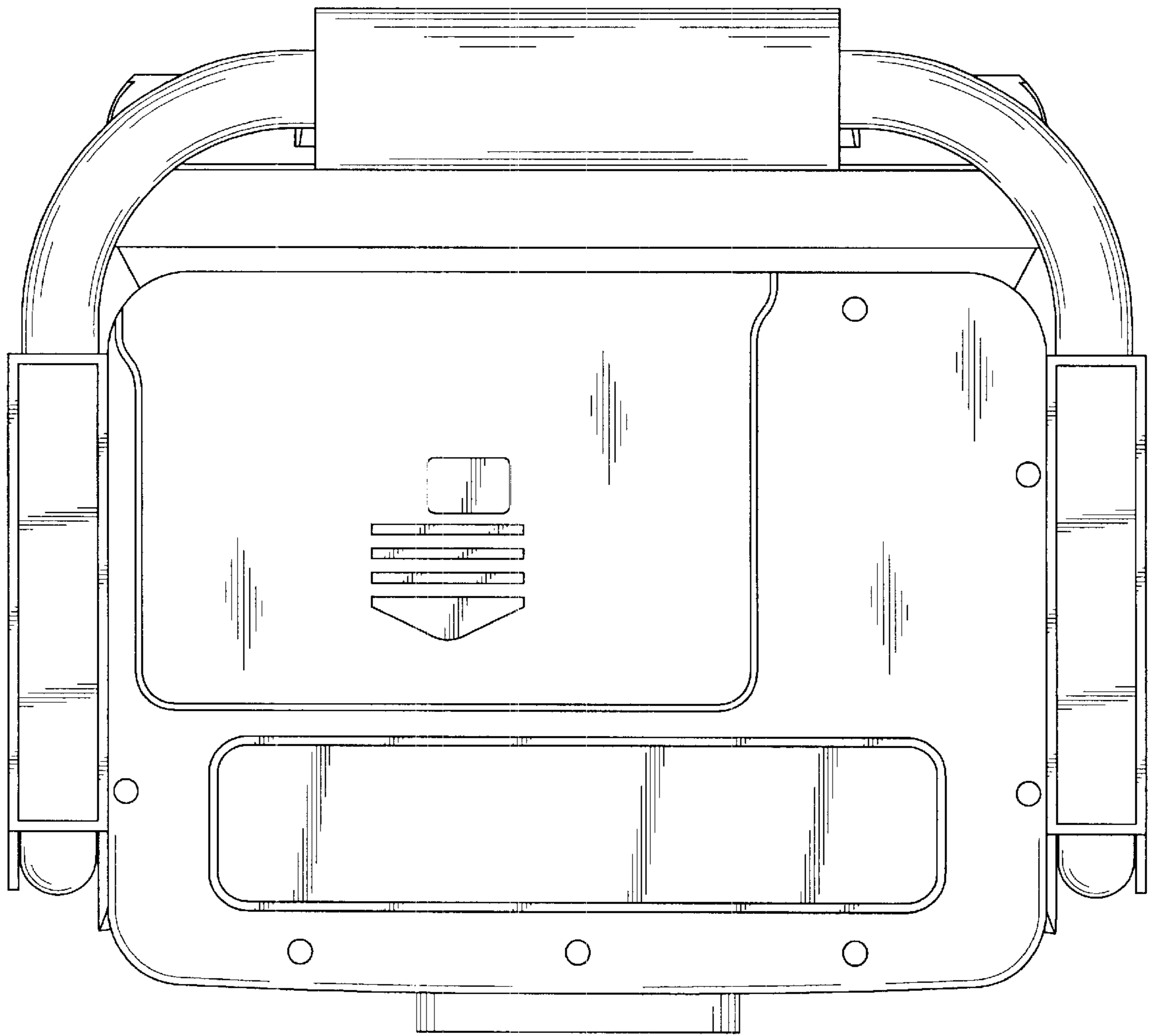


Fig. 7

