



US00D482151S

(12) **United States Design Patent**
Shiu

(10) **Patent No.:** **US D482,151 S**

(45) **Date of Patent:** **** Nov. 11, 2003**

(54) **FLASHLIGHT**

(75) **Inventor:** **Stephanie Wai Man Shiu, Kowloon (HK)**

(73) **Assignee:** **Gold Coral International Limited, Kowloon (HK)**

(**) **Term:** **14 Years**

(21) **Appl. No.:** **29/172,236**

(22) **Filed:** **Dec. 9, 2002**

(30) **Foreign Application Priority Data**

May 8, 2002	(HK)	0210639
May 8, 2002	(HK)	0210640
May 8, 2002	(HK)	0210641

(51) **LOC (7) Cl.** **26-02**

(52) **U.S. Cl.** **D26/49**

(58) **Field of Search** D26/37-50; 362/157, 362/158, 171, 172, 173, 183-208

(56) **References Cited**

U.S. PATENT DOCUMENTS

D452,025 S	*	12/2001	Poon	D26/49
D467,376 S	*	12/2002	Yamamoto et al.	D26/49

* cited by examiner

Primary Examiner—Marcus A. Jackson

(74) *Attorney, Agent, or Firm*—Mitchell Silberg & Knupp LLP

(57) **CLAIM**

The ornamental design for a flashlight, as shown and described.

DESCRIPTION

FIG. 1 is a left side elevational view of a flashlight according to the present invention.

FIG. 2 is a top plan view of the flashlight.

FIG. 3 is a bottom plan view of the flashlight.

FIG. 4 is a rear elevational view of the flashlight.

FIG. 5 is a front elevational view of the flashlight according to a first embodiment of the invention.

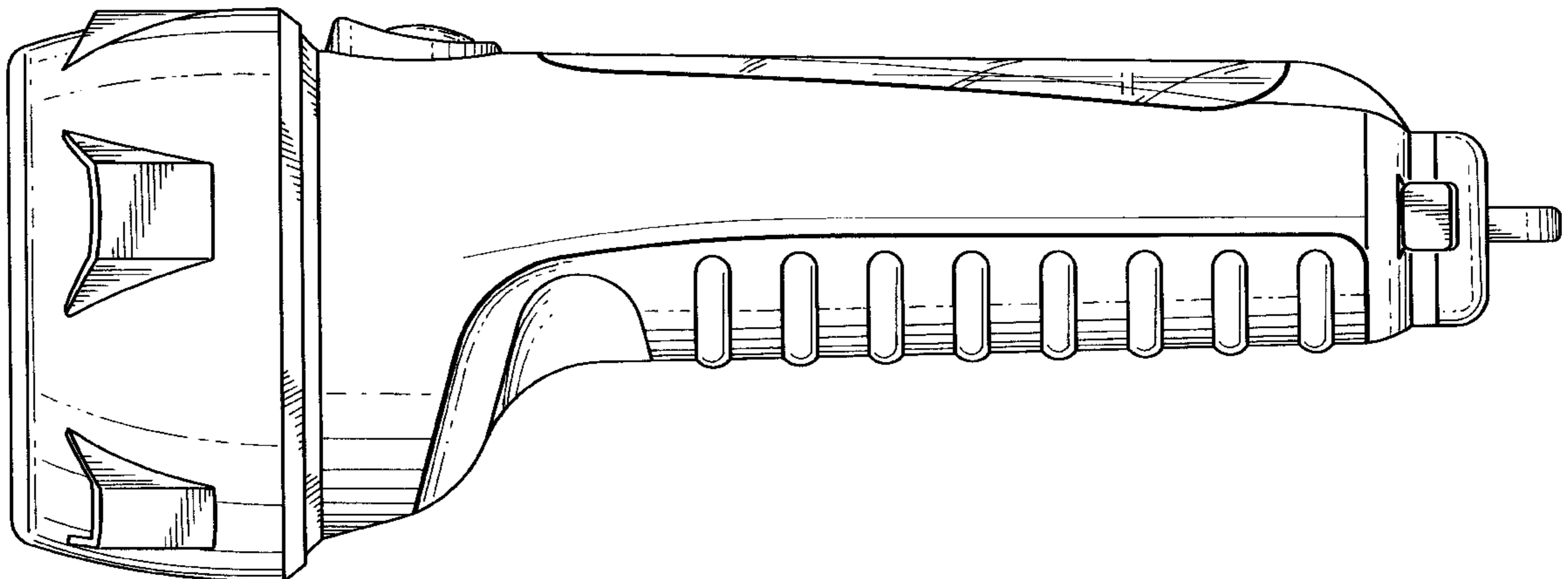
FIG. 6 is a front elevational view of the flashlight according to a second embodiment of the invention, wherein the only difference being in the lighting portion of the claimed invention;

FIG. 7 is a front elevational view of the flashlight according to a third embodiment of the invention, wherein the only difference being in the lighting portion of the claimed invention; and,

FIG. 8 is a front elevational view of the flashlight according to a fourth embodiment of the invention, wherein the only difference being in the lighting portion of the claimed invention.

The right side elevational view is the mirror image of the left side elevational view.

1 Claim, 5 Drawing Sheets



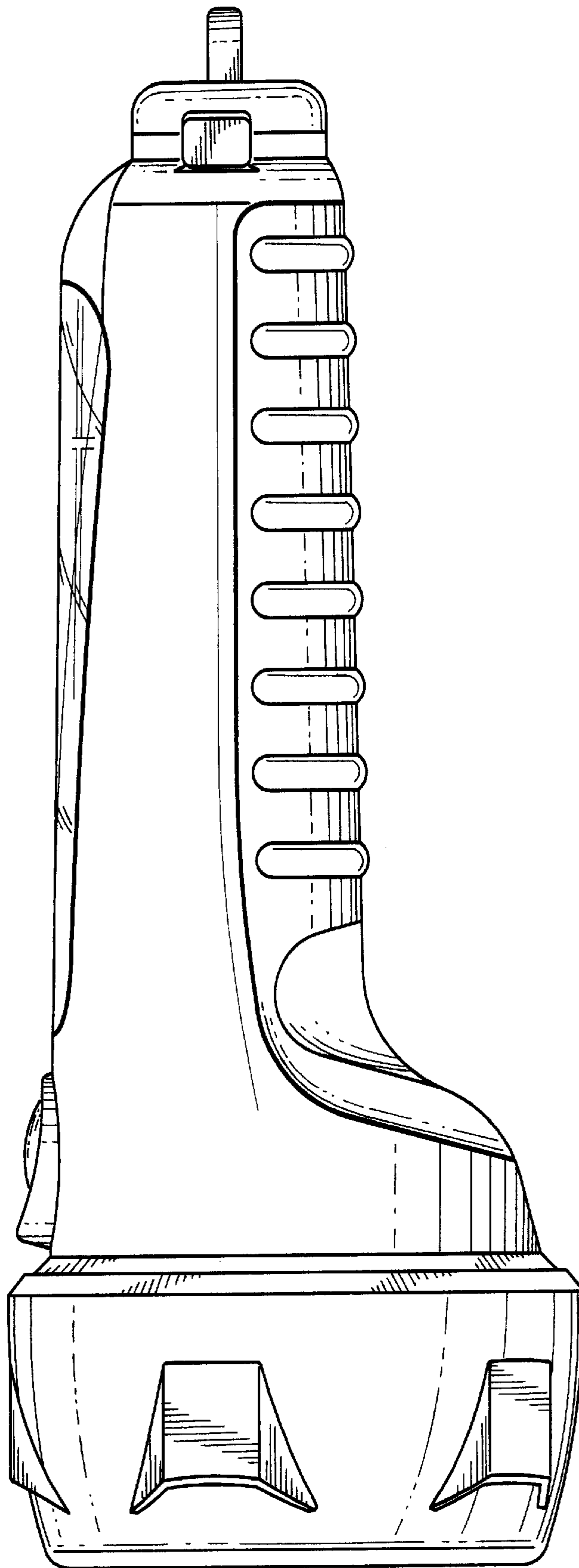


FIG. 1

FIG. 2

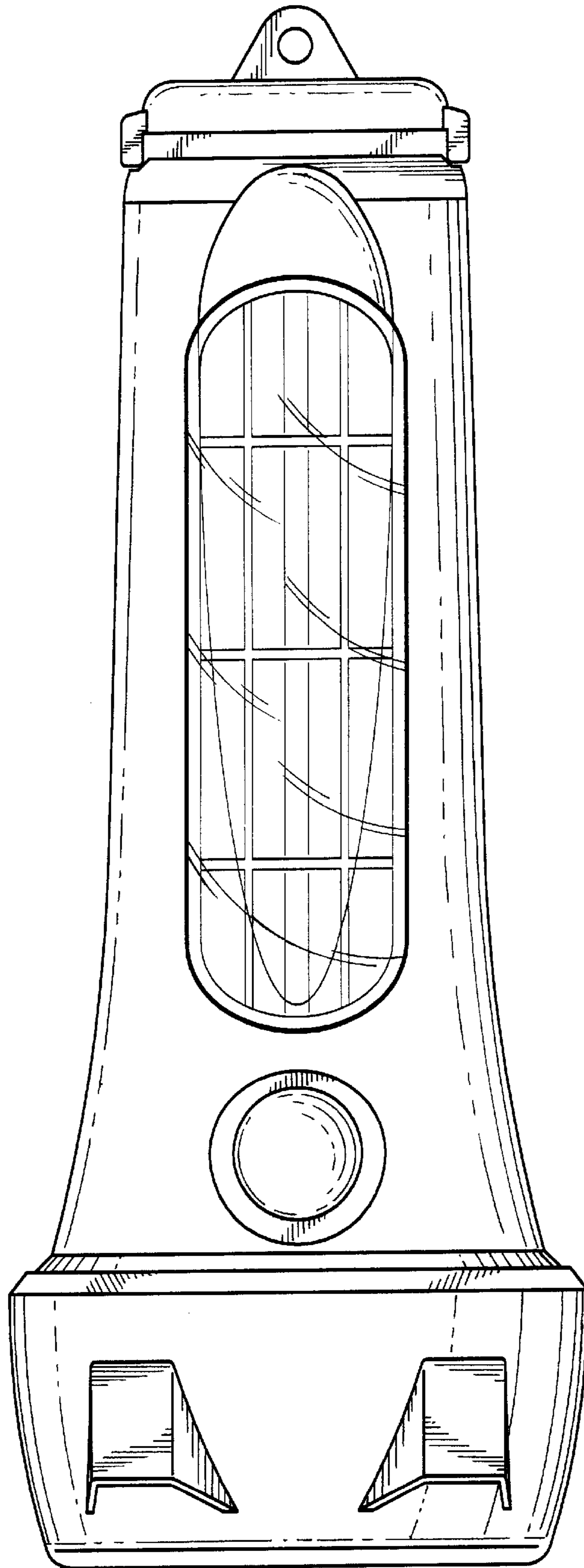


FIG. 3

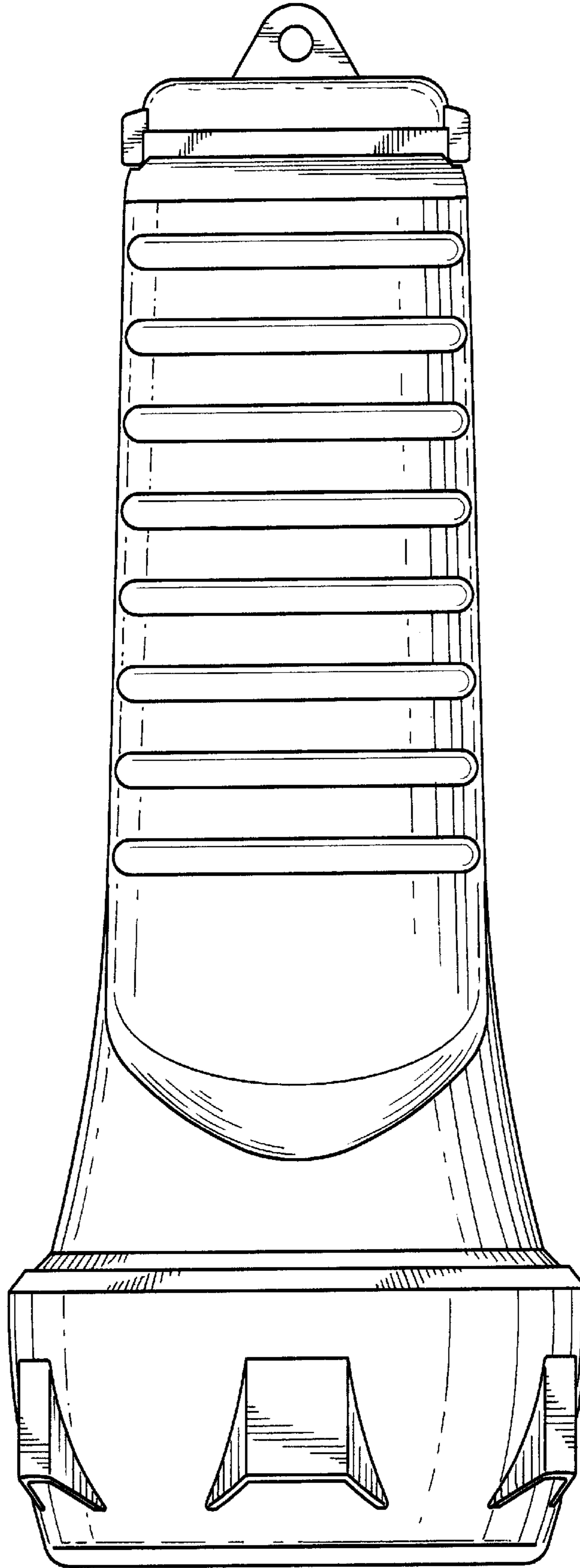


FIG. 4

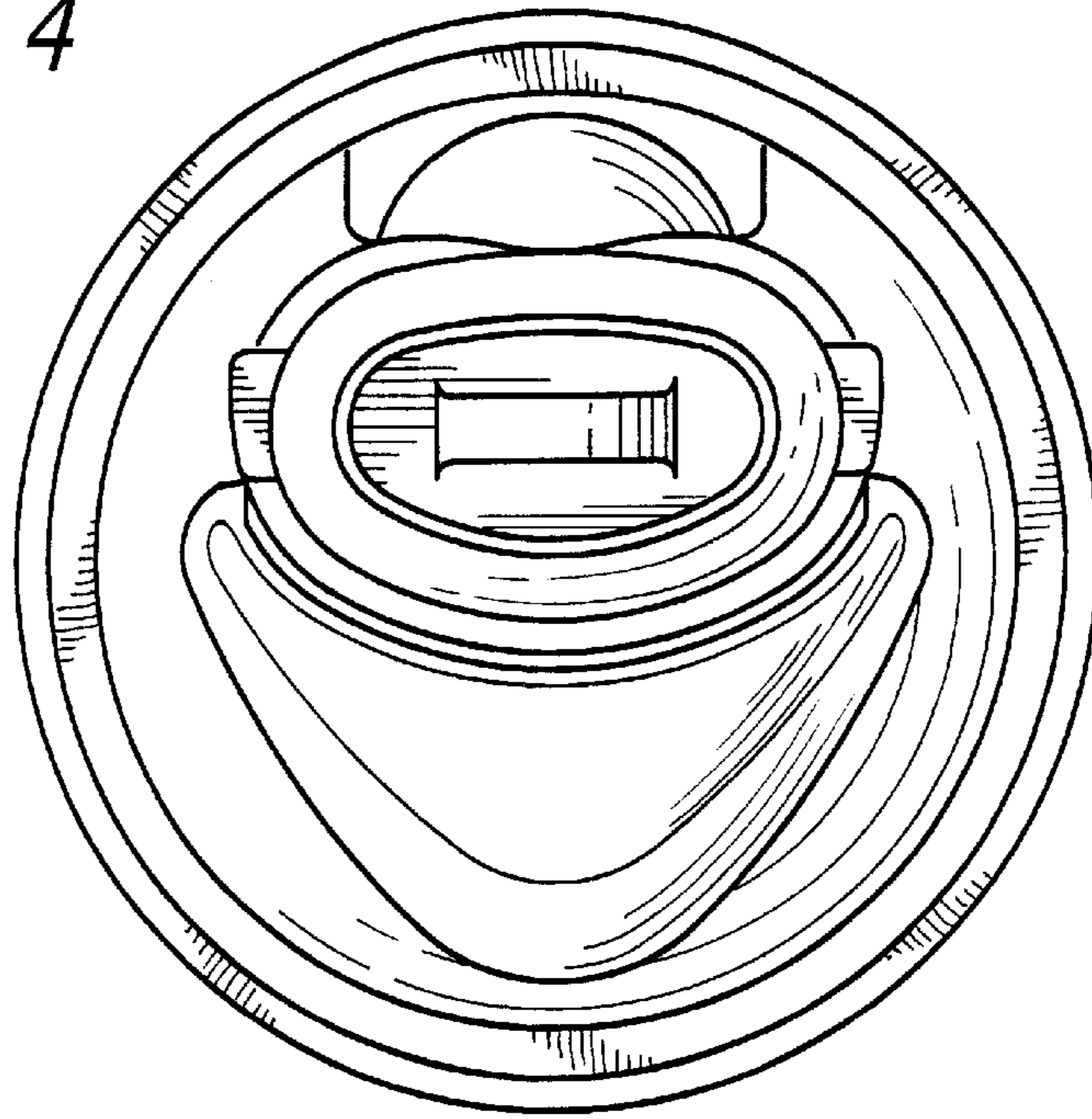
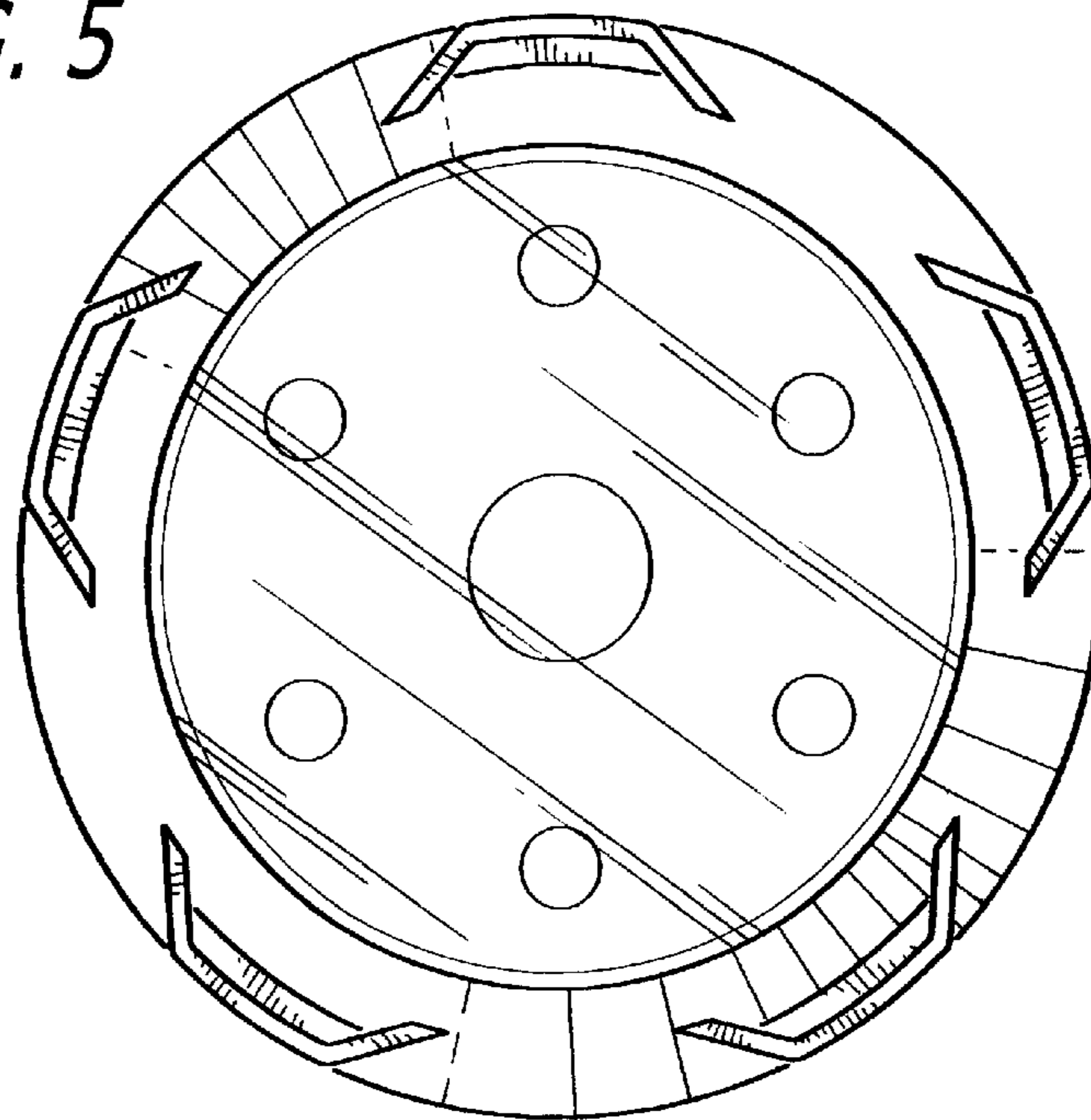


FIG. 5



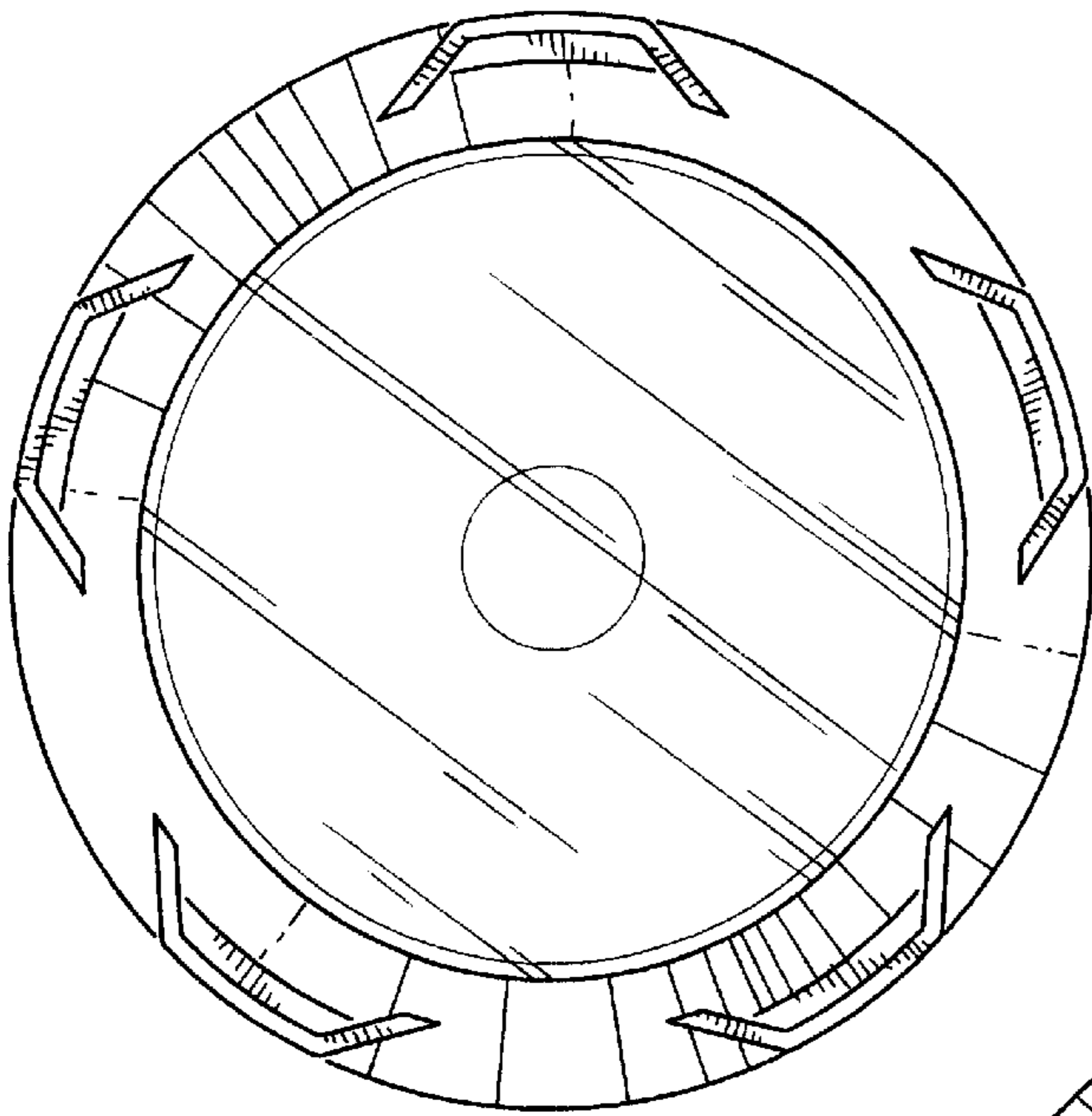


FIG. 6

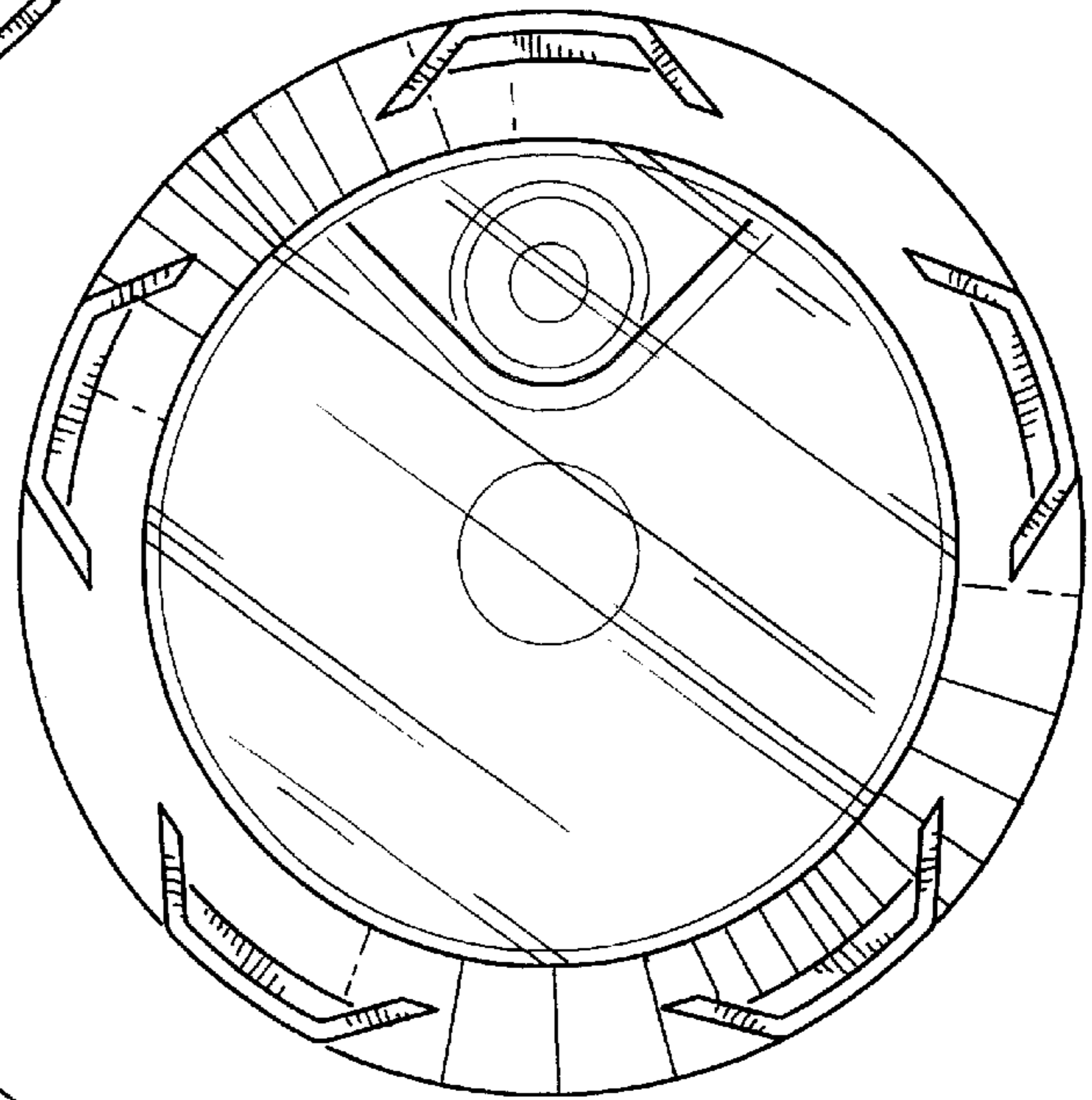


FIG. 7

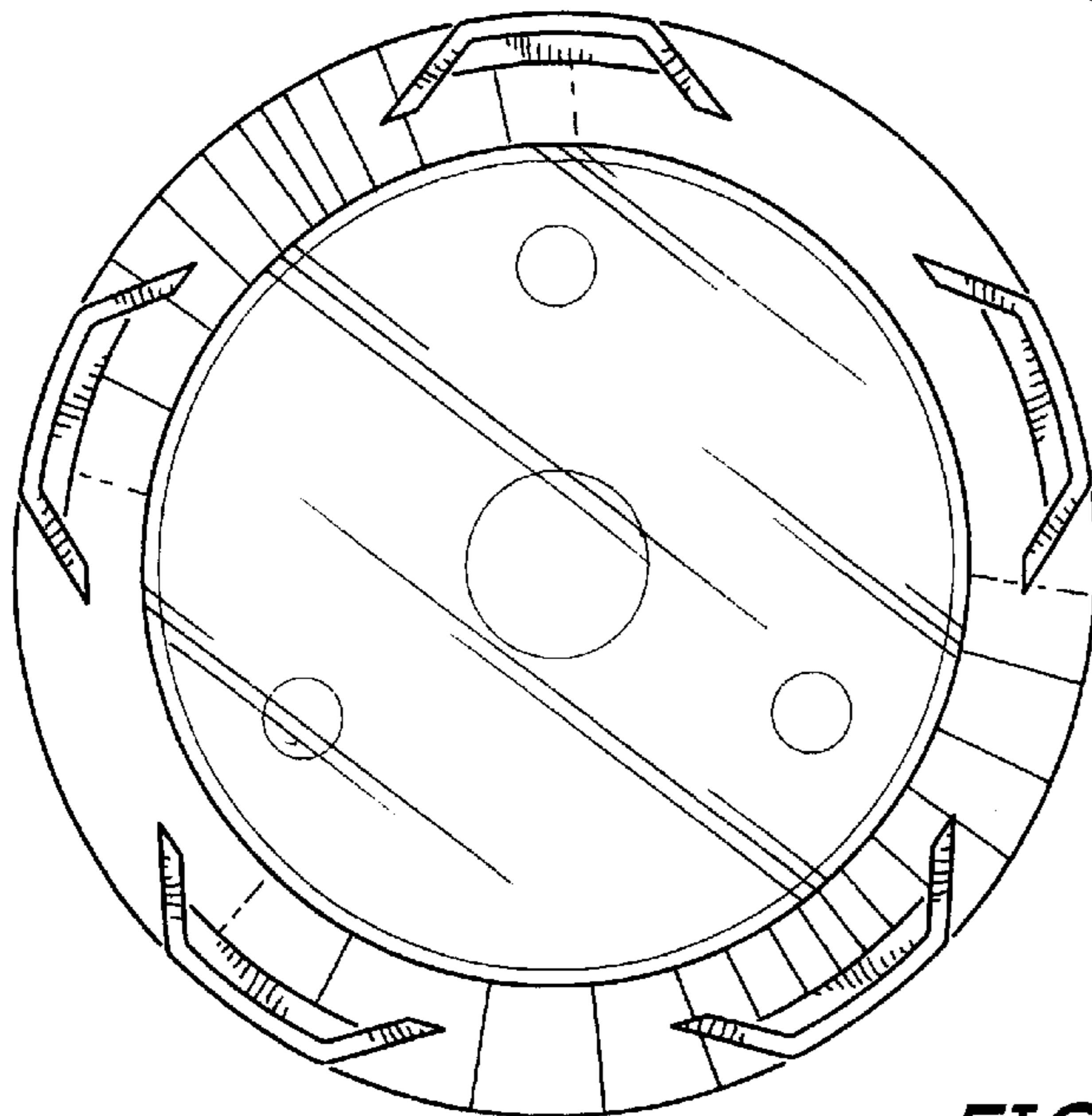


FIG. 8