



US00D482150S

(12) **United States Design Patent**
Scolaro et al.

(10) **Patent No.:** **US D482,150 S**

(45) **Date of Patent:** **** Nov. 11, 2003**

(54) **LAMP**

(75) Inventors: **Martin S. Scolaro**, Burlington, WI
(US); **Anil P. Ghode**, Libertyville, IL
(US)

(73) Assignee: **Snap-on Technologies, Inc.**,
Lincolnshire, IL (US)

(**) Term: **14 Years**

(21) Appl. No.: **29/174,434**

(22) Filed: **Jan. 17, 2003**

(51) **LOC (7) Cl.** **26-02**

(52) **U.S. Cl.** **D26/45**

(58) **Field of Search** D26/37-50; 362/157,
362/158, 171, 172, 173, 187-208

(56) **References Cited**

U.S. PATENT DOCUMENTS

5,465,196 A	11/1995	Hasenberg et al.	362/183
D382,457 S	8/1997	Ghode et al.	D8/68
D404,276 S	1/1999	Ghode et al.	D8/68
D409,776 S	5/1999	Ghode et al.	D26/42
D432,692 S	* 10/2000	Krieger et al.	D26/45

D446,591 S	*	8/2001	Shing	D26/45
D450,145 S	*	11/2001	Krieger et al.	D26/45
D451,222 S	*	11/2001	Poon	D26/45
6,501,197 B1		12/2002	Cornog et al.	307/150

* cited by examiner

Primary Examiner—Marcus A. Jackson

(74) *Attorney, Agent, or Firm*—Barnes & Thornburg

(57) **CLAIM**

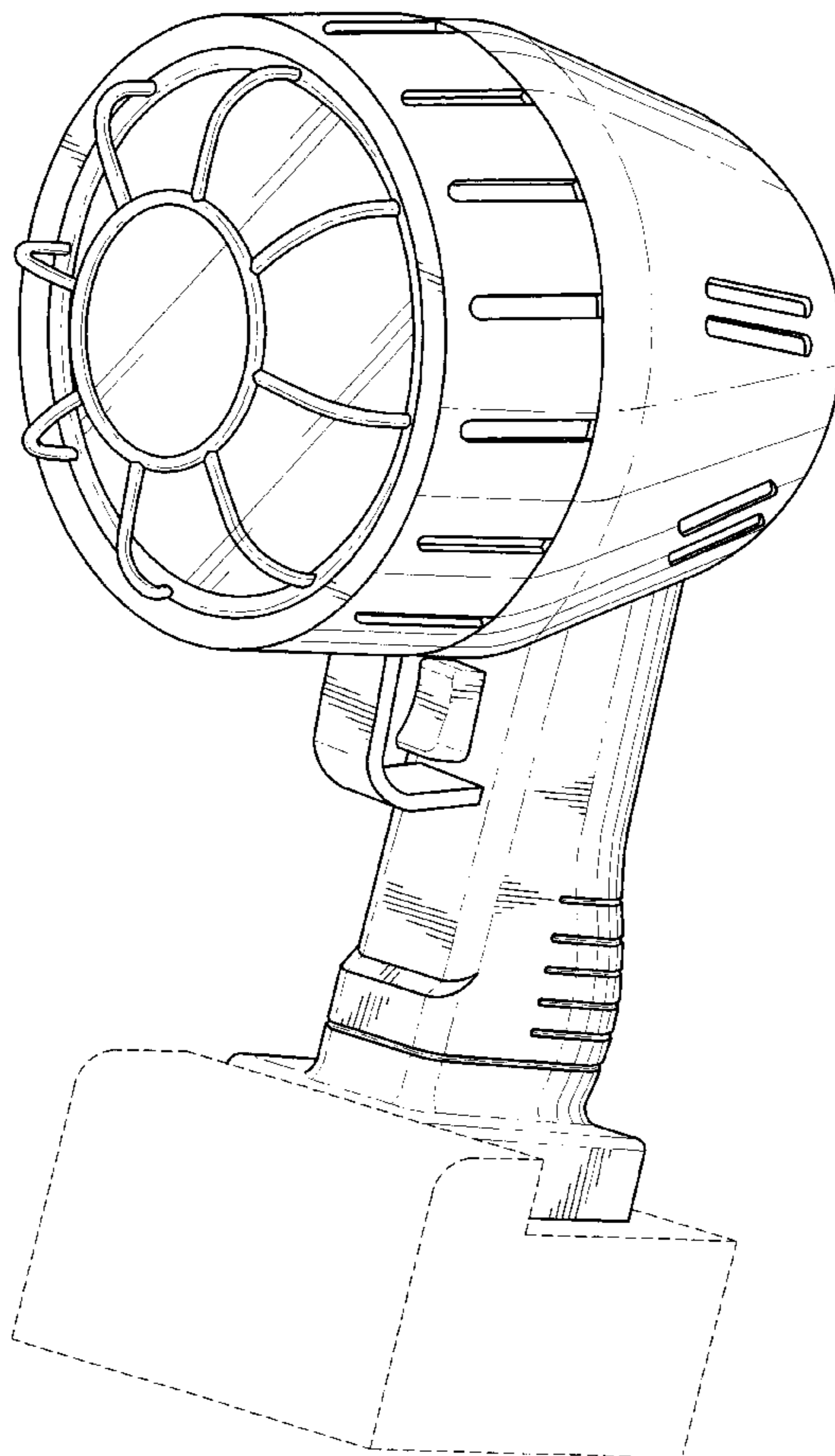
What is claimed is the ornamental design for a lamp, as shown and described.

DESCRIPTION

FIG. 1 is a perspective view of the lamp;
FIG. 2 is a front elevational view thereof;
FIG. 3 is a right side view thereof of the lamp, the left side view is not shown as it is a mirror image of the right side view;
FIG. 4 is a rear elevational view thereof;
FIG. 5 is a top plan view thereof; and,
FIG. 6 is a bottom plan view thereof.

The broken lines are shown in the views for illustrative purposes only and form no part of the claimed invention.

1 Claim, 3 Drawing Sheets



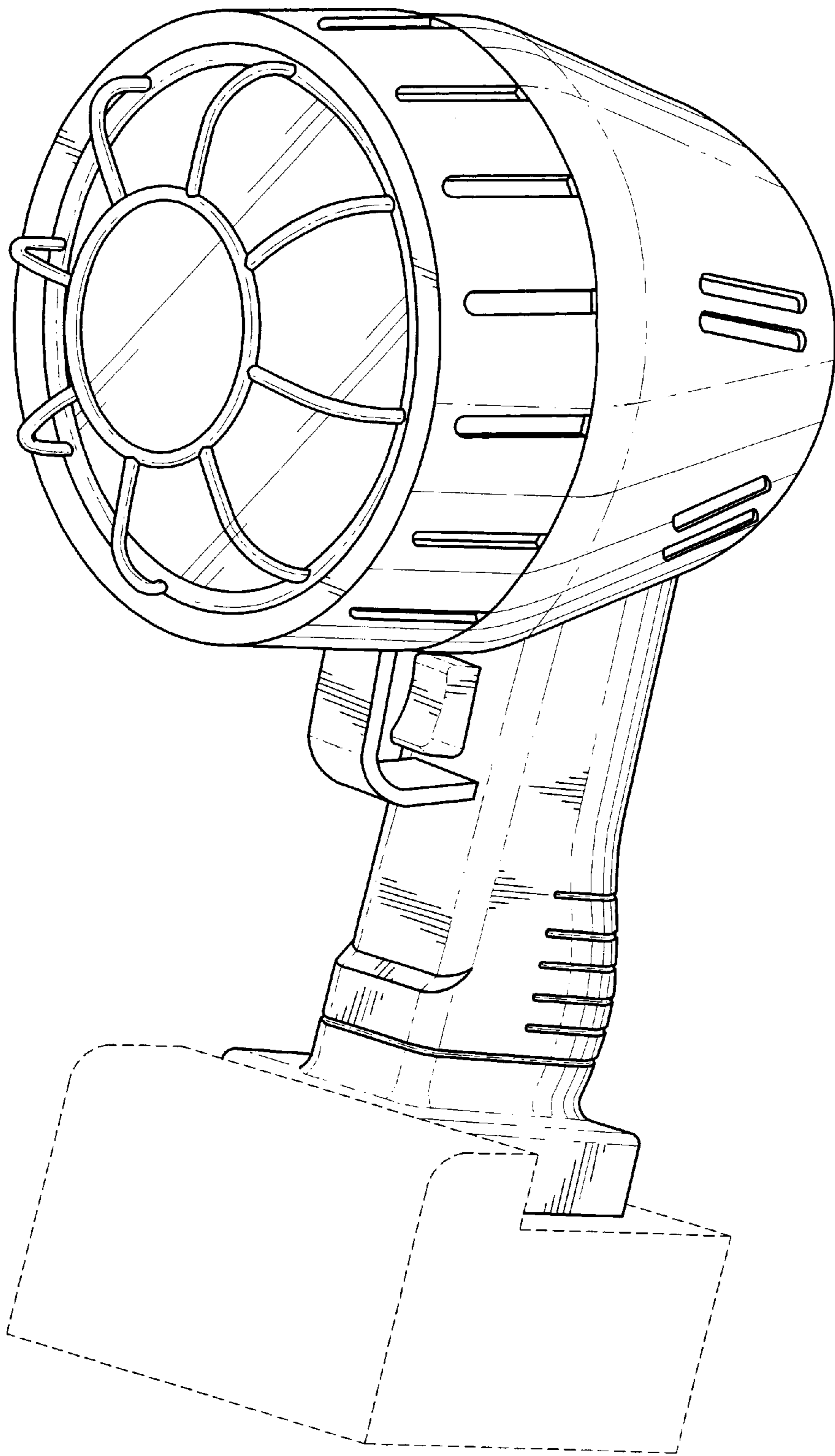


FIG. 1

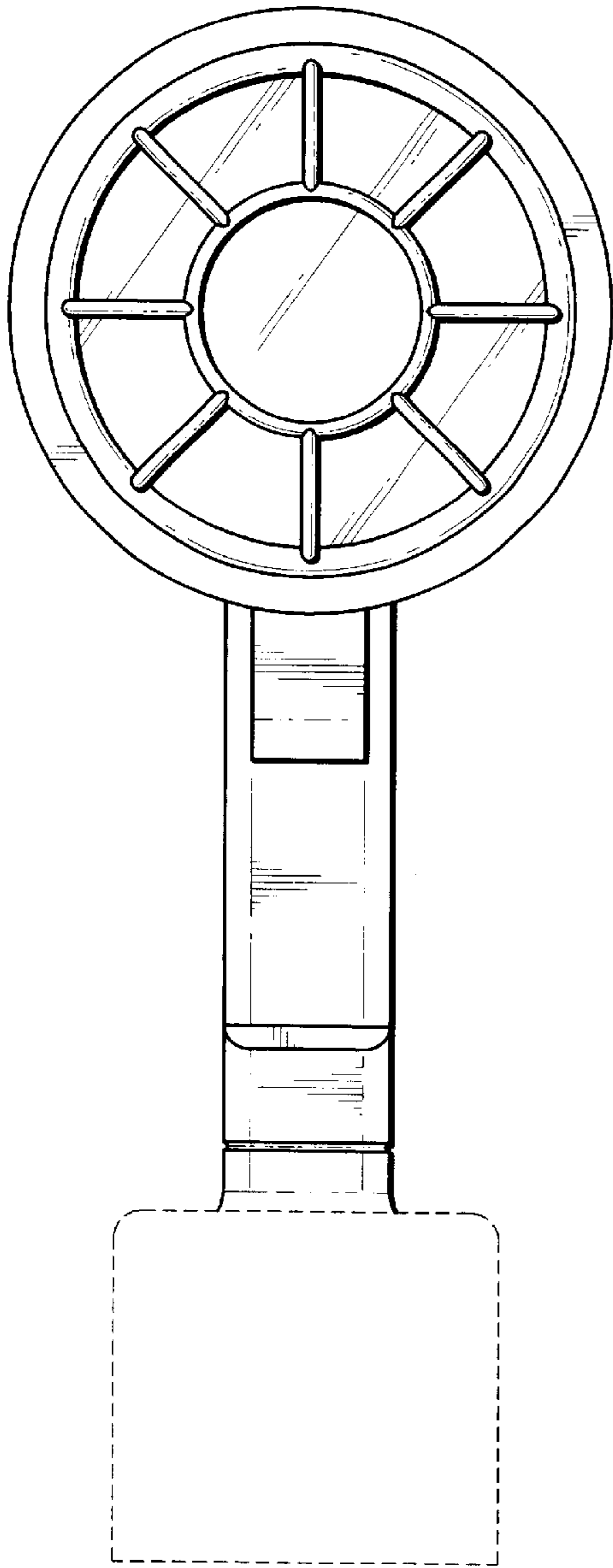


FIG. 2

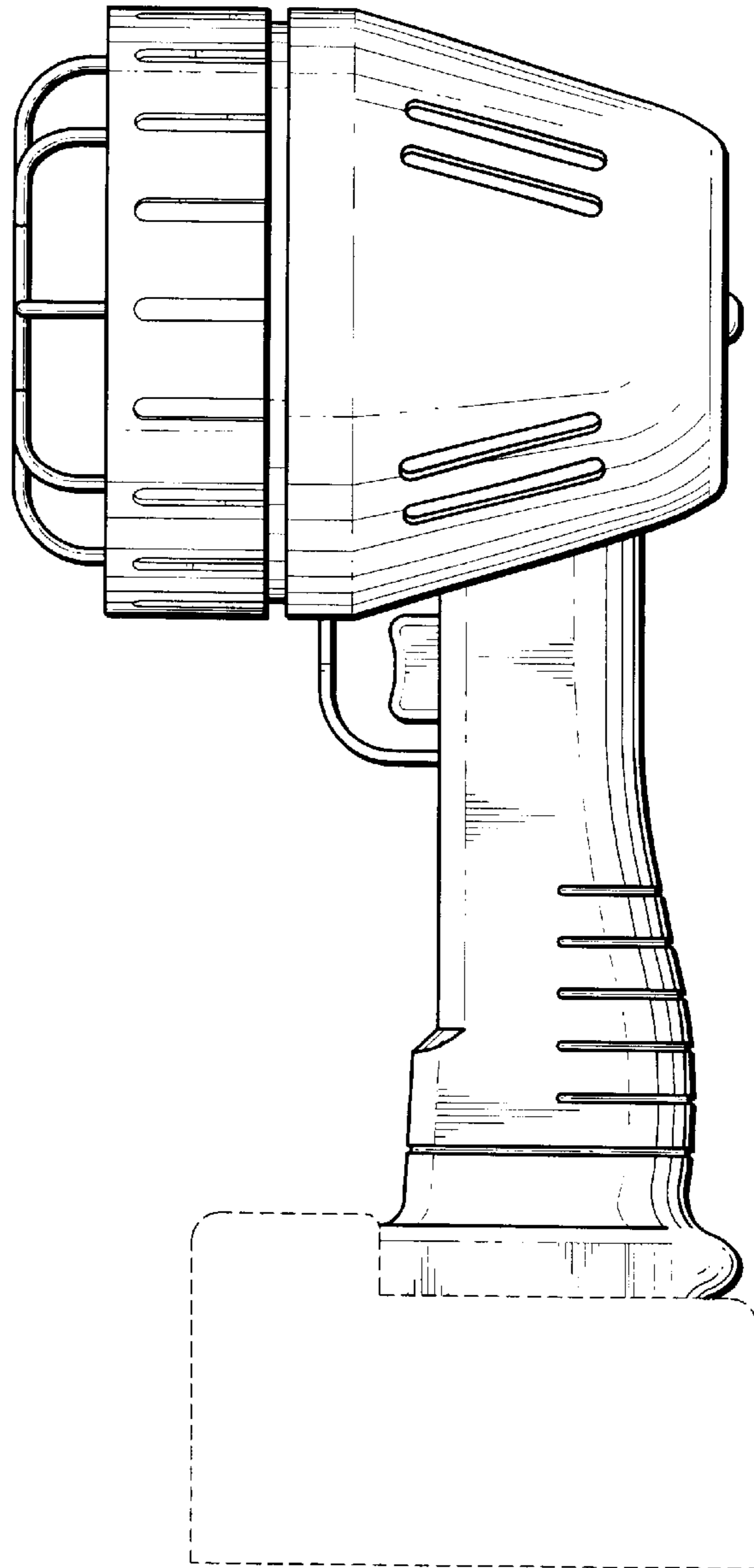


FIG. 3

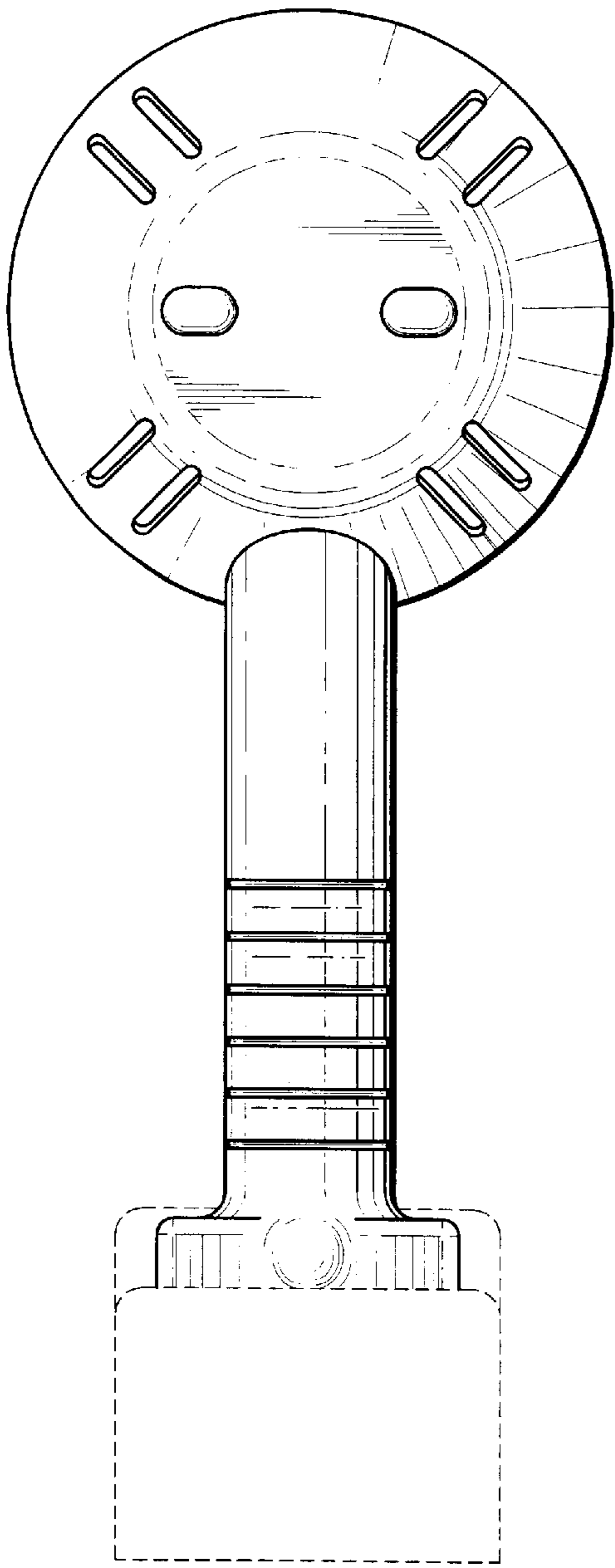


FIG. 4

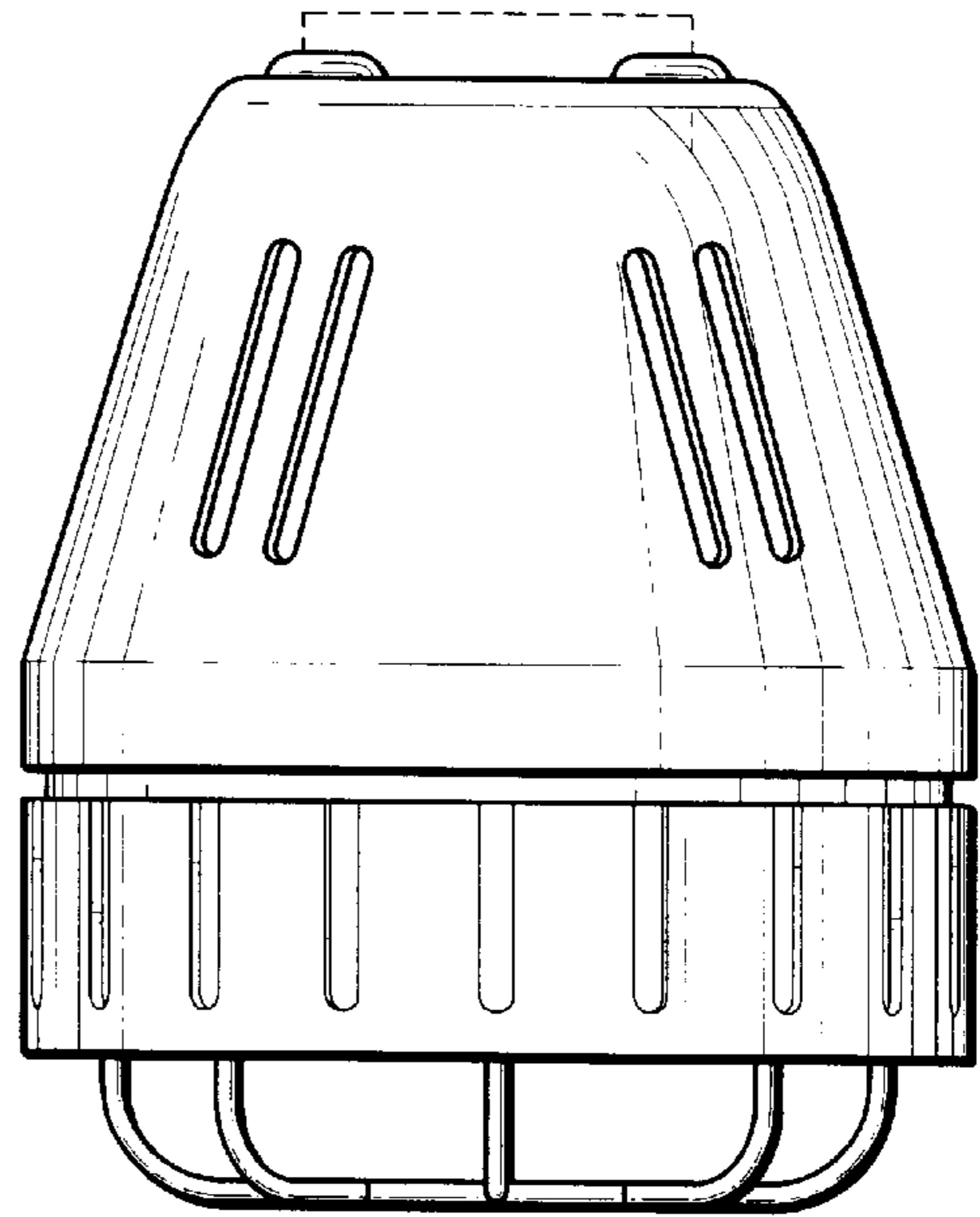


FIG. 5

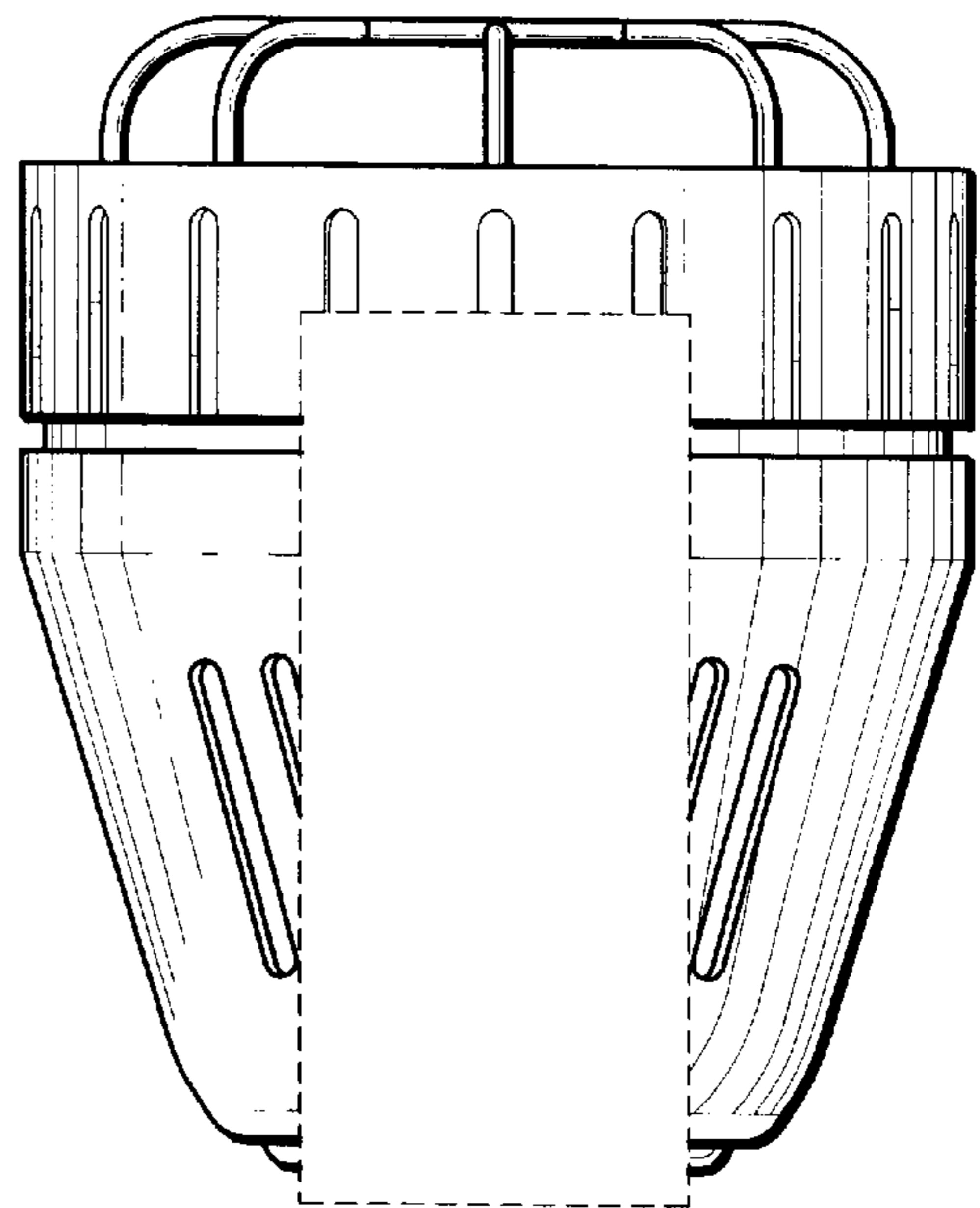


FIG. 6