



US00D482149S

(12) **United States Design Patent**
Yamamoto

(10) **Patent No.:** **US D482,149 S**

(45) **Date of Patent:** **** Nov. 11, 2003**

- (54) **FOG LAMP FOR AUTOMOBILE**
- (75) Inventor: **Teruaki Yamamoto, Tokyo (JP)**
- (73) Assignee: **PIAA Design International Corporation (JP)**
- (**) Term: **14 Years**
- (21) Appl. No.: **29/175,102**
- (22) Filed: **Jan. 30, 2003**
- (30) **Foreign Application Priority Data**
Aug. 9, 2002 (JP) 2002-021541
- (51) **LOC (7) Cl.** **26-06**
- (52) **U.S. Cl.** **D26/28**
- (58) **Field of Search** D26/28-36, 120,
D26/122; 362/61, 80, 81, 82, 83, 83.4,
309, 326, 329-340
- (56) **References Cited**
U.S. PATENT DOCUMENTS
D417,740 S * 12/1999 Iacovelli et al. D26/28

- D439,687 S * 3/2001 Iacovelli et al. D26/28
- D451,218 S * 11/2001 Bernier D26/28
- D471,302 S * 3/2003 Yamamoto D26/28

* cited by examiner

Primary Examiner—Marcus A. Jackson

(74) *Attorney, Agent, or Firm*—SAIDMAN DesignLaw Group

(57) **CLAIM**

The ornamental design for a fog lamp for automobile, as shown and described.

DESCRIPTION

FIG. 1 is a front view of the fog lamp for automobile;
 FIG. 2 is a top plan view thereof;
 FIG. 3 is a bottom view thereof;
 FIG. 4 is a left side view thereof;
 FIG. 5 is a right side view thereof;
 FIG. 6 is a sectional view thereof taken at VI—VI line; and,
 FIG. 7 is a sectional view thereof taken at VII—VII line.
 The broken lines are shown in the views for illustrative purpose only and form no part of the claimed design.

1 Claim, 3 Drawing Sheets

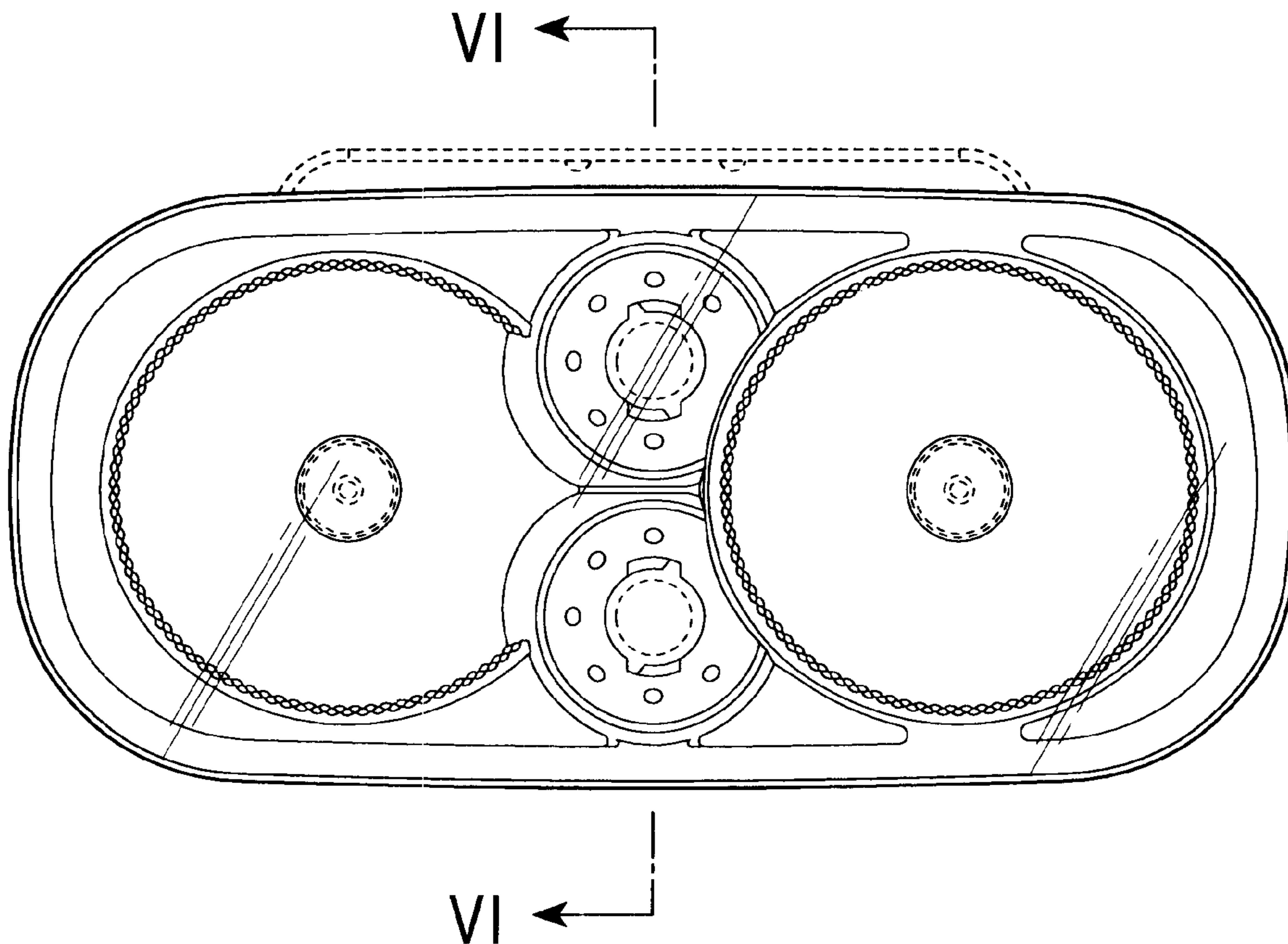


FIG. 1

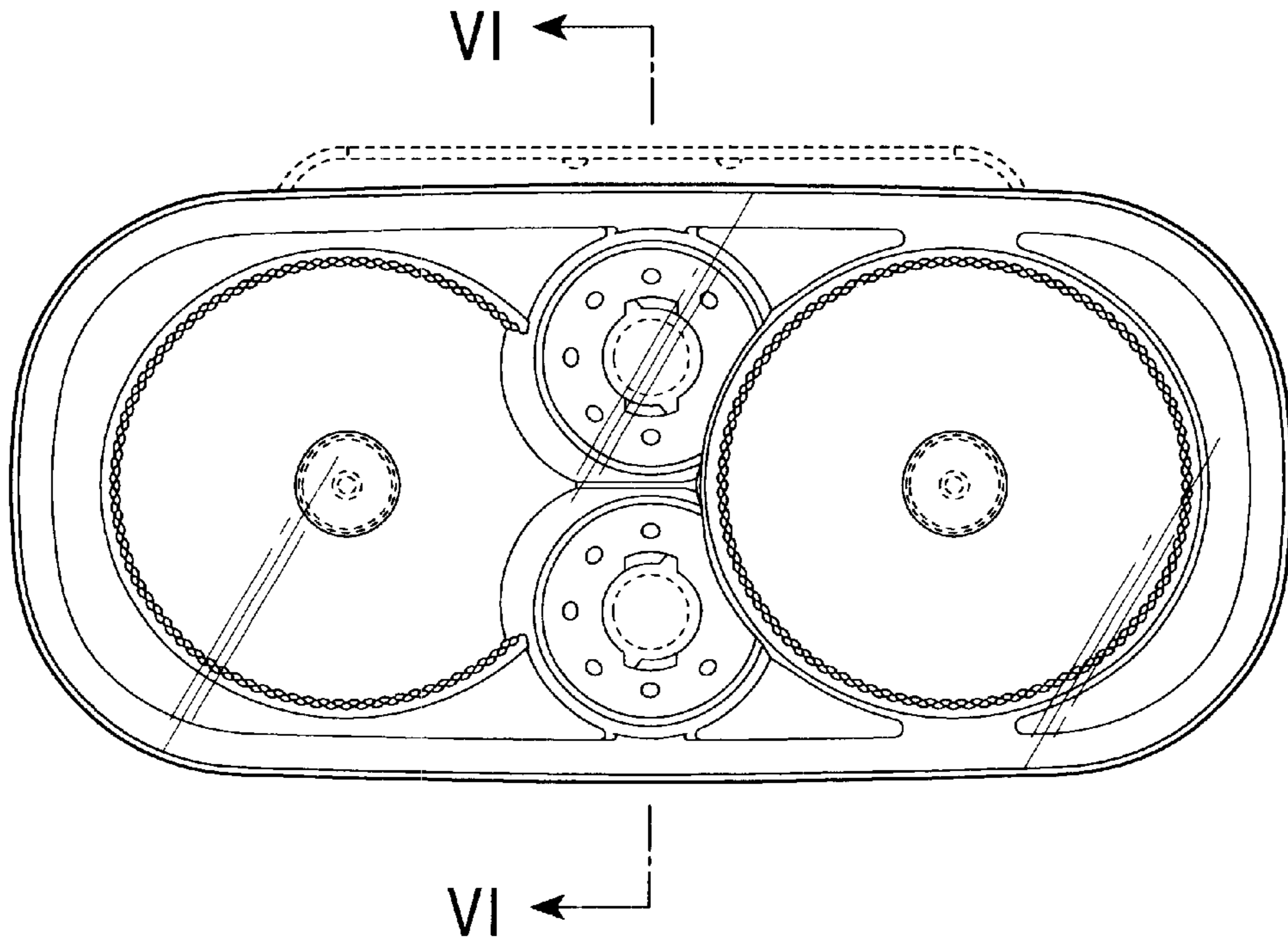


FIG. 2

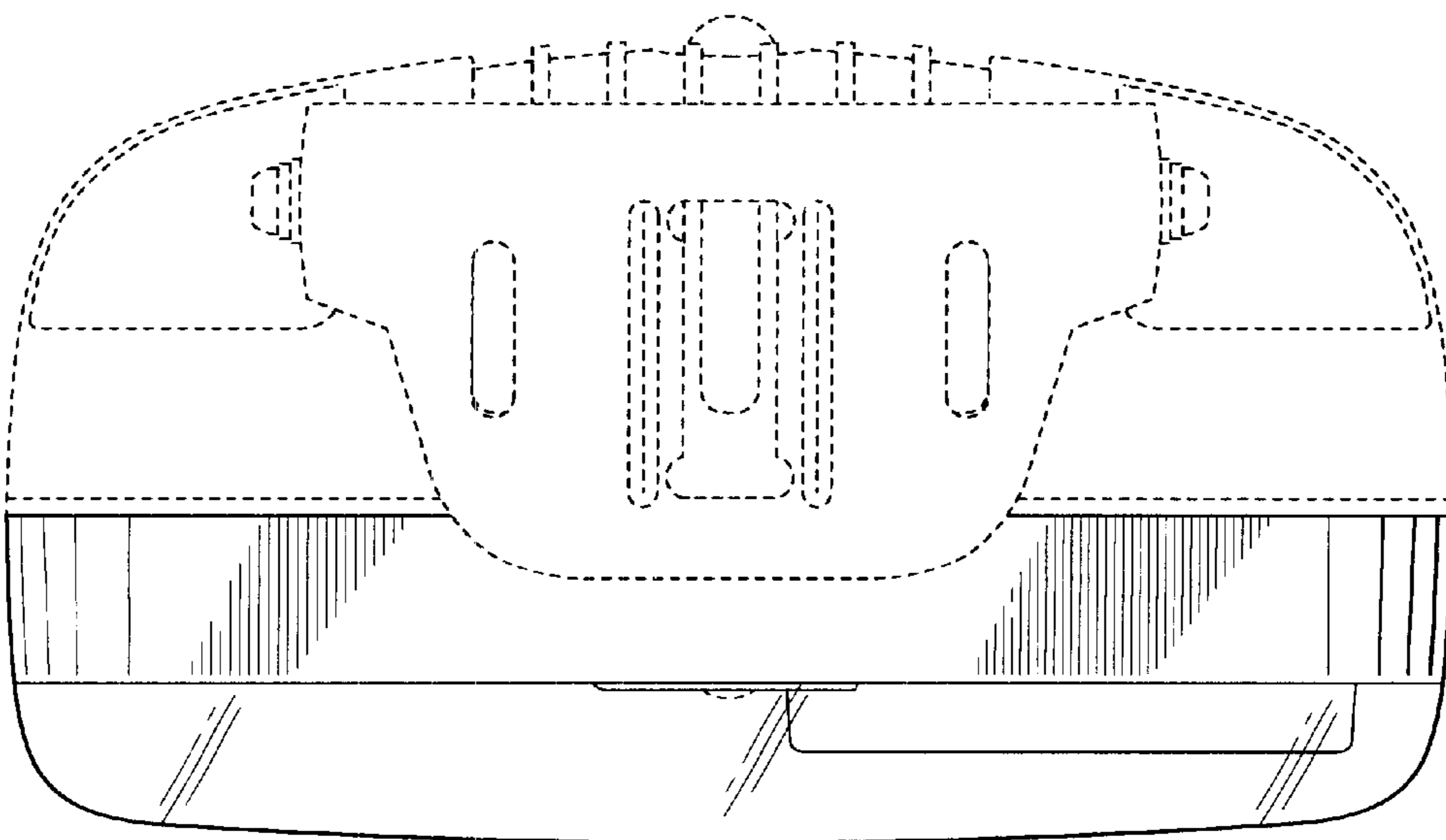


FIG. 3

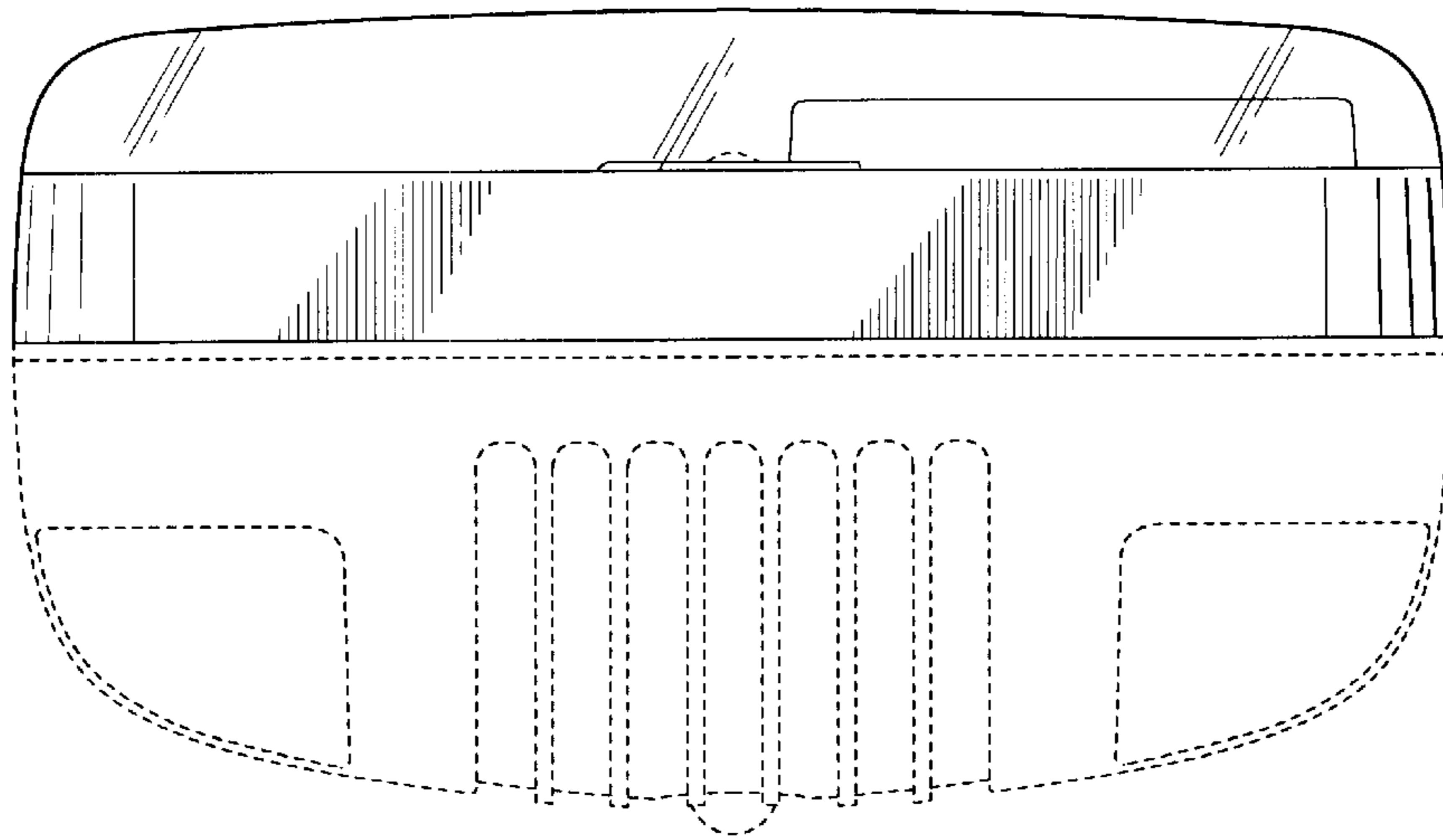


FIG. 4

FIG. 5

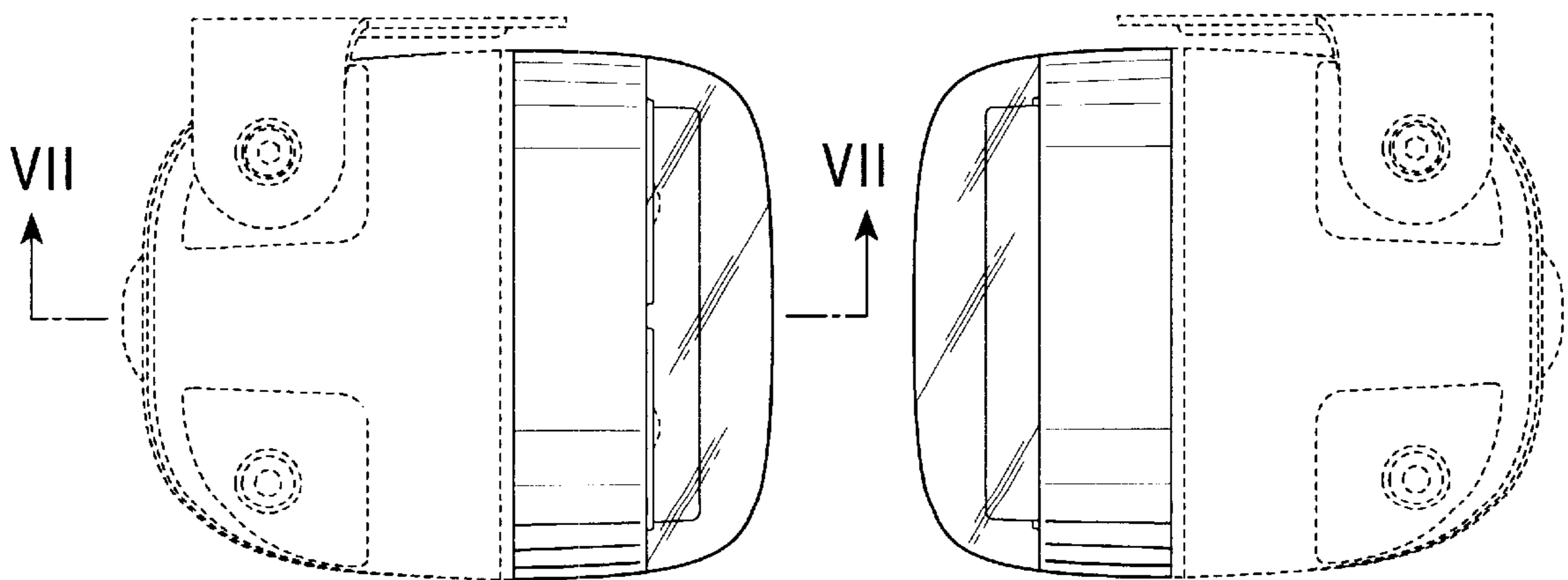


FIG. 6

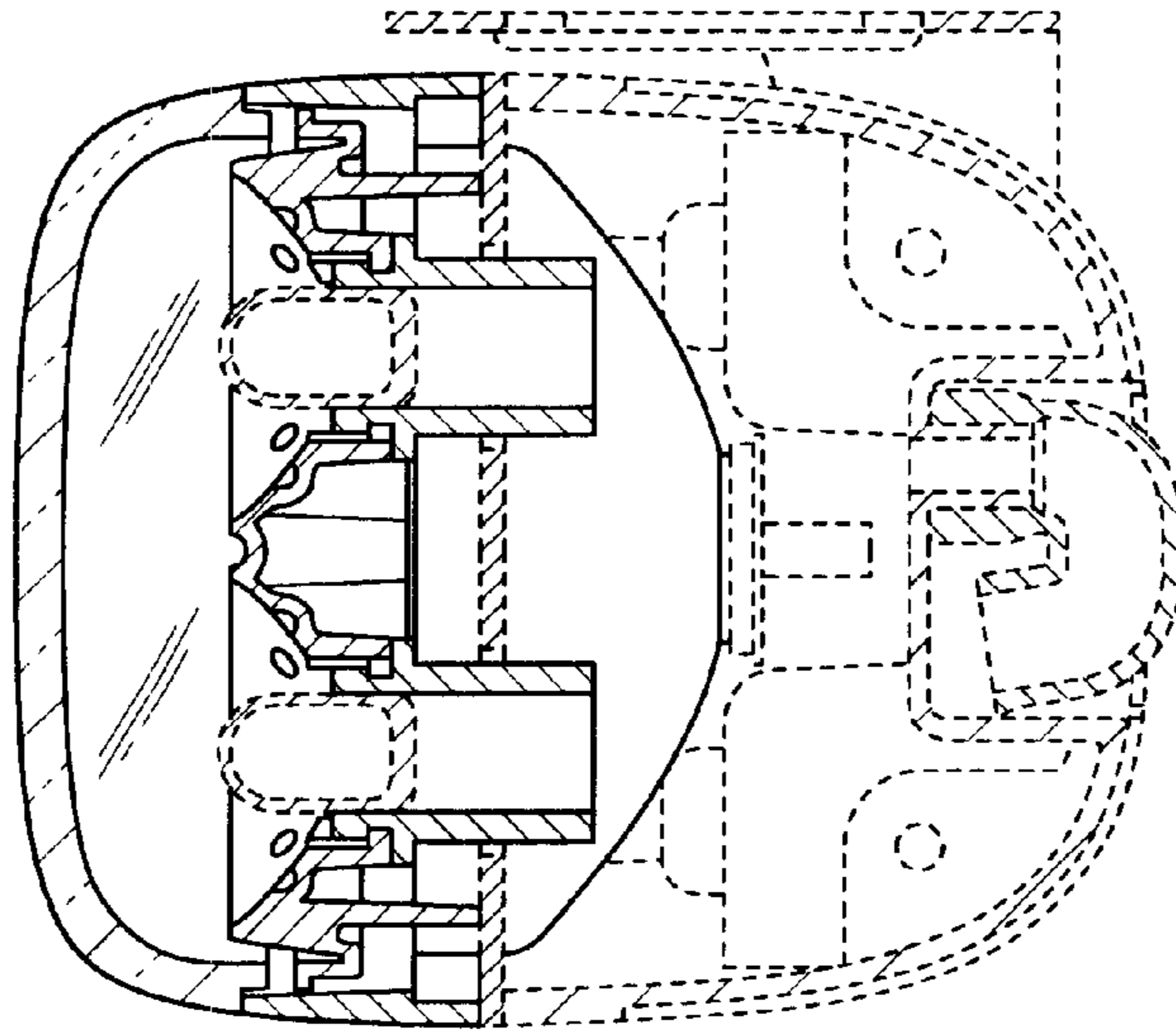


FIG. 7

