



US00D482140S

(12) **United States Design Patent**  
**Hughes et al.**

(10) **Patent No.:** **US D482,140 S**

(45) **Date of Patent:** **\*\* Nov. 11, 2003**

(54) **PANELING/TRIM BOARD/DECKING ELEMENT**

(75) **Inventors:** **Roderick E. Hughes**, Newport Beach, CA (US); **Kevin Fidati**, Fayetteville, GA (US); **Joe Schiff**, Peachtree City, GA (US); **Jack Cuttle**, Fairburn, GA (US); **George Vuduris**, Peachtree City, GA (US)

5,743,986 A	4/1998	Colombo	
5,847,016 A	12/1998	Cope	
5,858,493 A	1/1999	Sandt	
5,883,191 A	3/1999	Hughes	
D409,869 S	5/1999	Marusak	
D412,757 S	* 8/1999	Wolfrum	..... D25/138
5,953,878 A	9/1999	Johnson	
6,039,307 A	3/2000	De Zen	

(List continued on next page.)

(73) **Assignees:** **Extrutech International, Inc.**, Costa Mesa, CA (US); **Tri-Ex Composites, Incorporated**, Newnan, GA (US)

(\*\*) **Term:** **14 Years**

(21) **Appl. No.:** **29/167,949**

(22) **Filed:** **Sep. 24, 2002**

(51) **LOC (7) Cl.** ..... **25-01**

(52) **U.S. Cl.** ..... **D25/138; D25/136; D25/121**

(58) **Field of Search** ..... **52/783.1, 415, 52/796.1, 794.1; D25/138, 136, 121**

(56) **References Cited**

**U.S. PATENT DOCUMENTS**

3,041,719 A	7/1962	Haseltine
3,489,392 A	1/1970	Thom
3,554,494 A	1/1971	Bee
4,181,764 A	1/1980	Totten
4,208,175 A	6/1980	Rosenbaum
4,249,875 A	2/1981	Hart et al.
4,453,357 A	6/1984	Zwilgmeyer
4,514,449 A	4/1985	Budich et al.
4,610,902 A	9/1986	Eastman
4,746,688 A	5/1988	Bistak et al.
4,964,618 A	10/1990	Kennedy et al.
4,972,537 A	11/1990	Slaw, Sr.
5,077,948 A	1/1992	Olson et al.
5,100,109 A	3/1992	Robbins, III
5,329,741 A	7/1994	Nicolaidis et al.
5,404,685 A	4/1995	Collins
5,416,139 A	5/1995	Zeiszler
5,418,028 A	5/1995	DeWitt
5,706,620 A	1/1998	De Zen

**OTHER PUBLICATIONS**

U.S. patent application Ser. No. 09/761,331, filed Jan. 16, 2001.

U.S. Design patent application Ser. No. 29/135,708, filed Jan. 16, 2001.

U.S. Design patent application Ser. No. 29/135,695, filed Jan. 16, 2001.

*Primary Examiner*—Doris Clark

(74) *Attorney, Agent, or Firm*—Stout, Uxa, Buyan & Mullins, LLP; Frank J. Uxa

(57) **CLAIM**

The ornamental design for paneling/trim board/decking element, as shown and described.

**DESCRIPTION**

FIG. 1 is a perspective view of the paneling/trim board/decking element of the present invention.

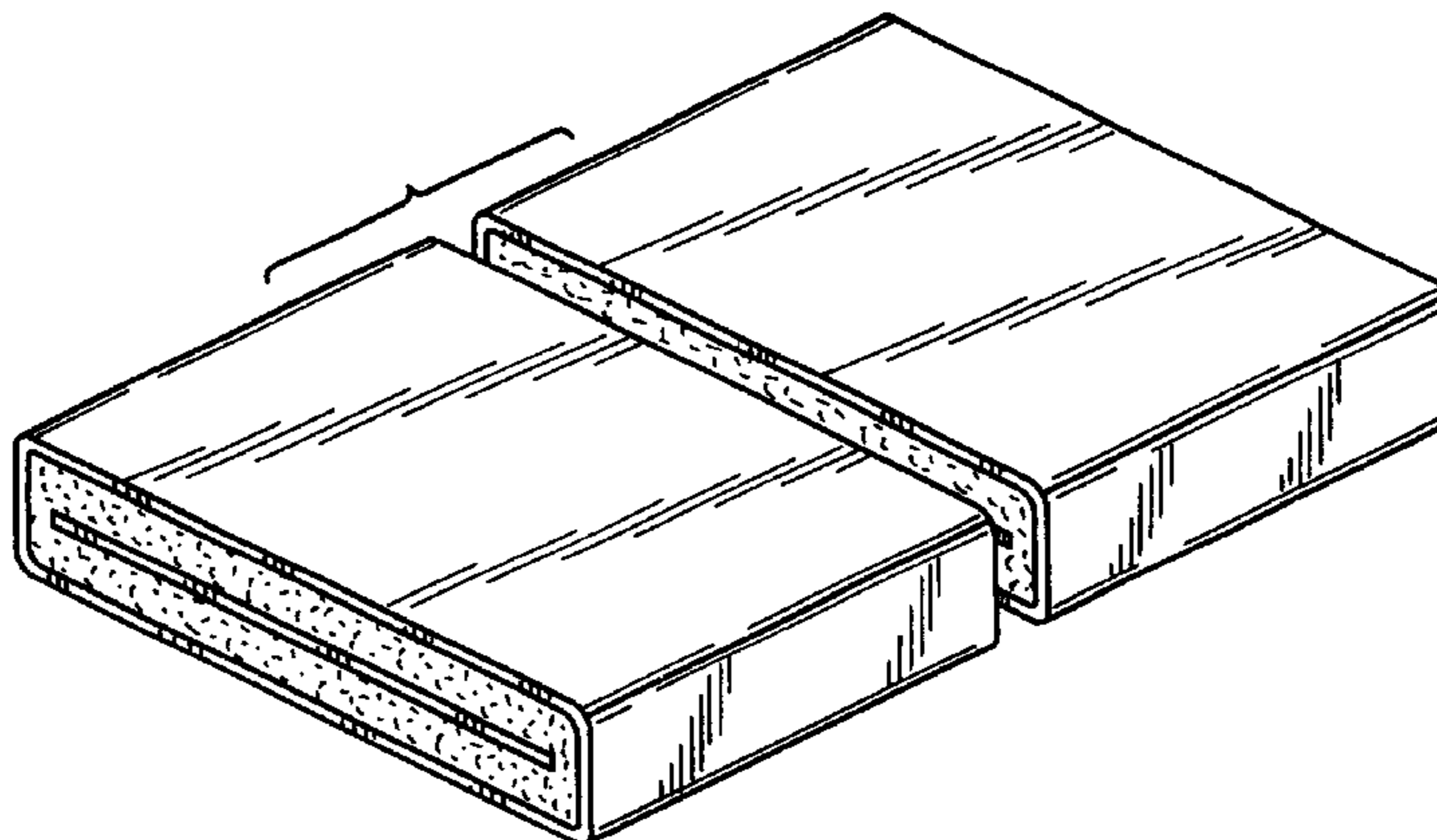
FIG. 2 is an elevation view showing the front of the paneling/trim board/decking element shown in FIG. 1, an elevation view showing the back being identical in appearance.

FIG. 3 is an elevation view showing the left side of the paneling/trim board/decking element shown in FIG. 1, an elevation view showing the right side being identical in appearance.

FIG. 4 is a top plan view of the paneling/trim board/decking element shown in FIG. 1, a bottom plan view being identical in appearance; and,

FIG. 5 is an enlargement of area 5 of FIG. 2 of the paneling/trim board/decking element.

**1 Claim, 1 Drawing Sheet**



# US D482,140 S

Page 2

---

## U.S. PATENT DOCUMENTS

6,054,207 A 4/2000 Finley  
D426,320 S 6/2000 Andres  
6,083,601 A 7/2000 Prince et al.  
6,133,349 A 10/2000 Hughes

D461,914 S 8/2002 Hughes et al.  
D462,458 S 9/2002 Hughes et al.  
6,448,332 B1 9/2002 Hughes  
6,451,882 B1 9/2002 Hughes

\* cited by examiner

Fig. 1

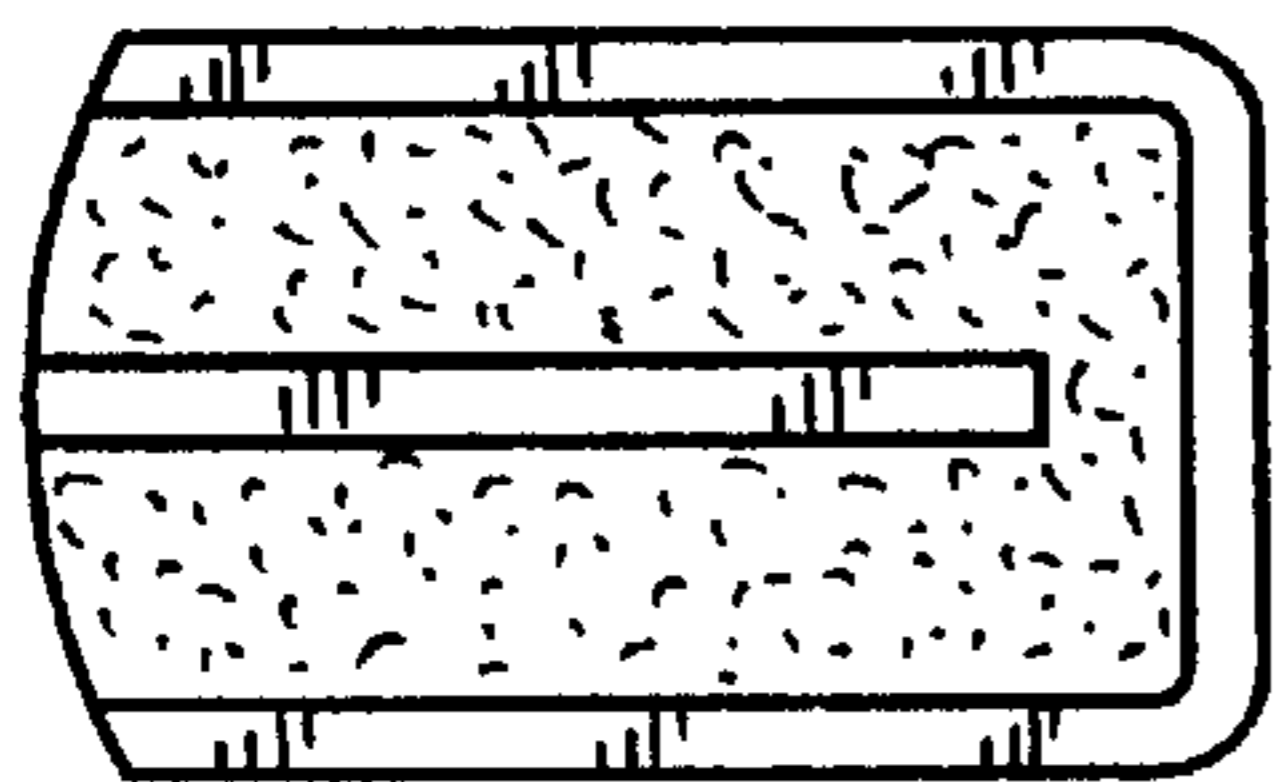
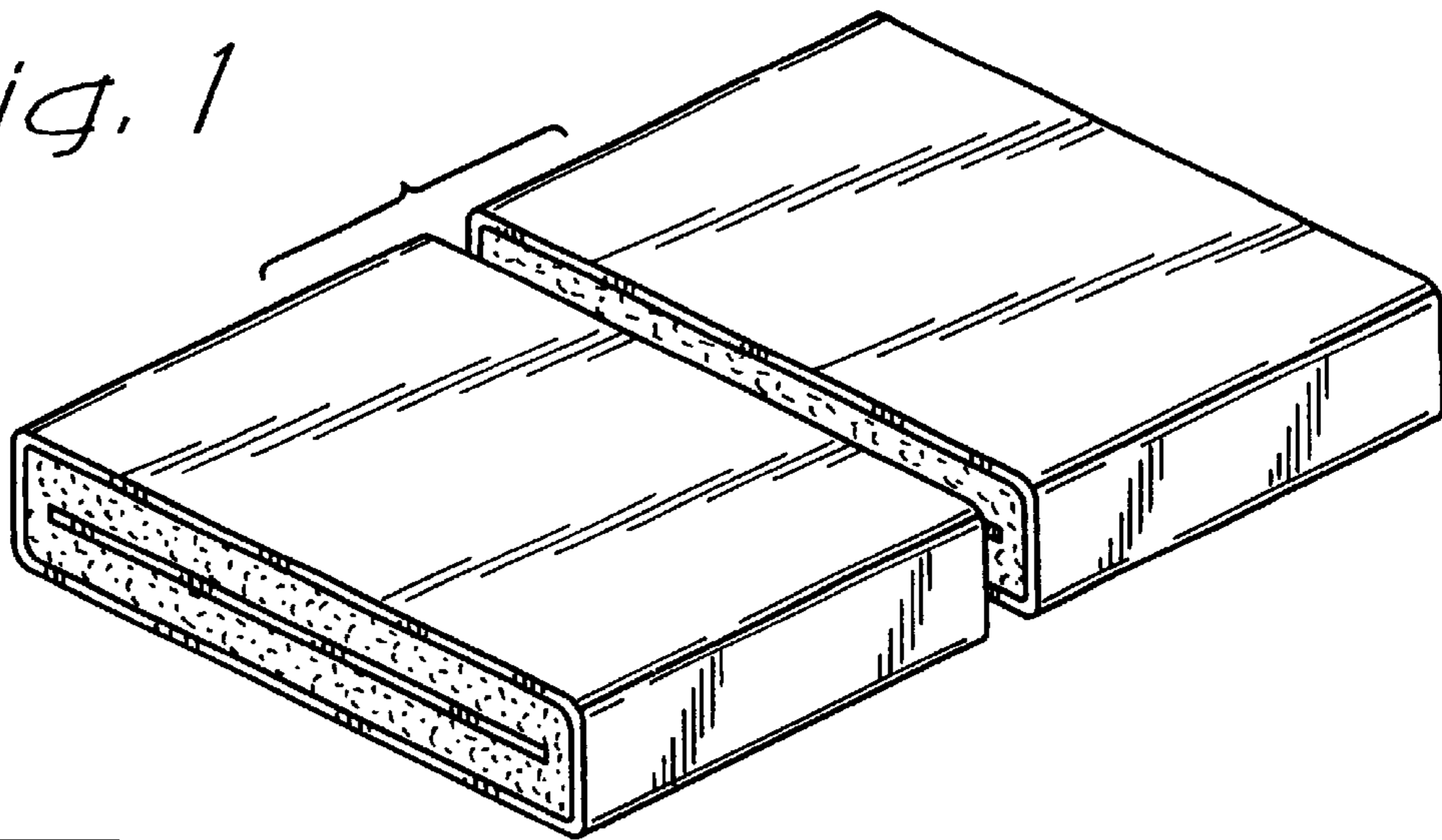


Fig. 5

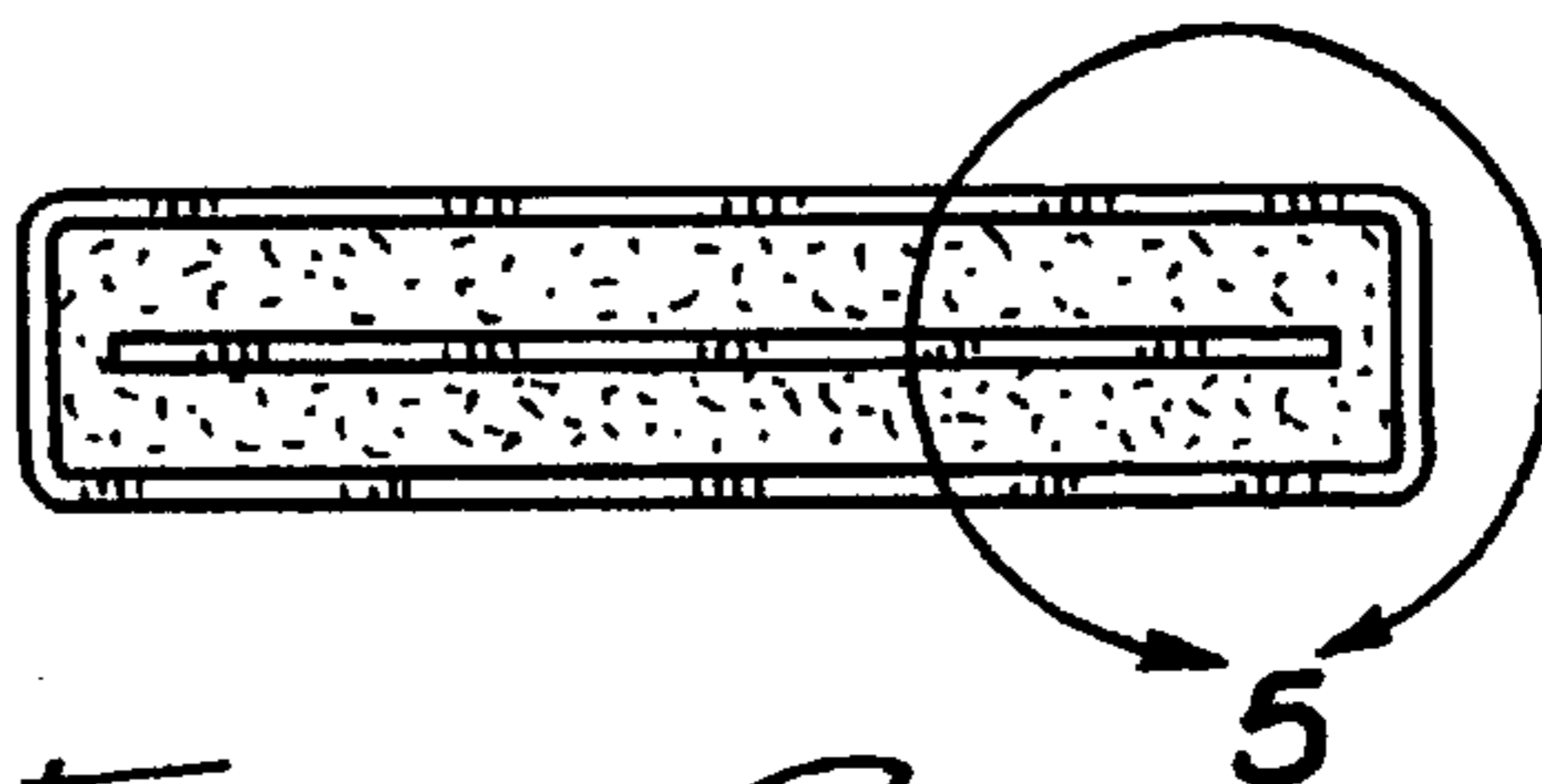


Fig. 2



Fig. 3

Fig. 4

