



US00D482131S

(12) **United States Design Patent**
Fine et al.

(10) **Patent No.:** **US D482,131 S**

(45) **Date of Patent:** **** Nov. 11, 2003**

(54) **LADDER LEVELER**

D431,081 S * 9/2000 Johansson et al. D25/68

(76) Inventors: **Kenneth D. Fine**, P.O. Box 46,
Fiddletown, CA (US) 95629; **Taresa A. Fine**, P.O. Box 46, Fiddletown, CA
(US) 95629

* cited by examiner

Primary Examiner—Doris Clark

(**) Term: **14 Years**

(57) **CLAIM**

The ornamental design for a ladder leveler, as shown and described.

(21) Appl. No.: **29/178,549**

DESCRIPTION

(22) Filed: **Mar. 28, 2003**

(51) **LOC (7) Cl.** **25-04**

FIG. 1 is a first side view of a ladder leveler showing our new design.

(52) **U.S. Cl.** **D25/68**

FIG. 2 is a second side view of the ladder leveler.

(58) **Field of Search** D25/68; 182/107,
182/108

FIG. 3 is a back view of the ladder leveler.

FIG. 4 is a front view of the ladder leveler.

(56) **References Cited**

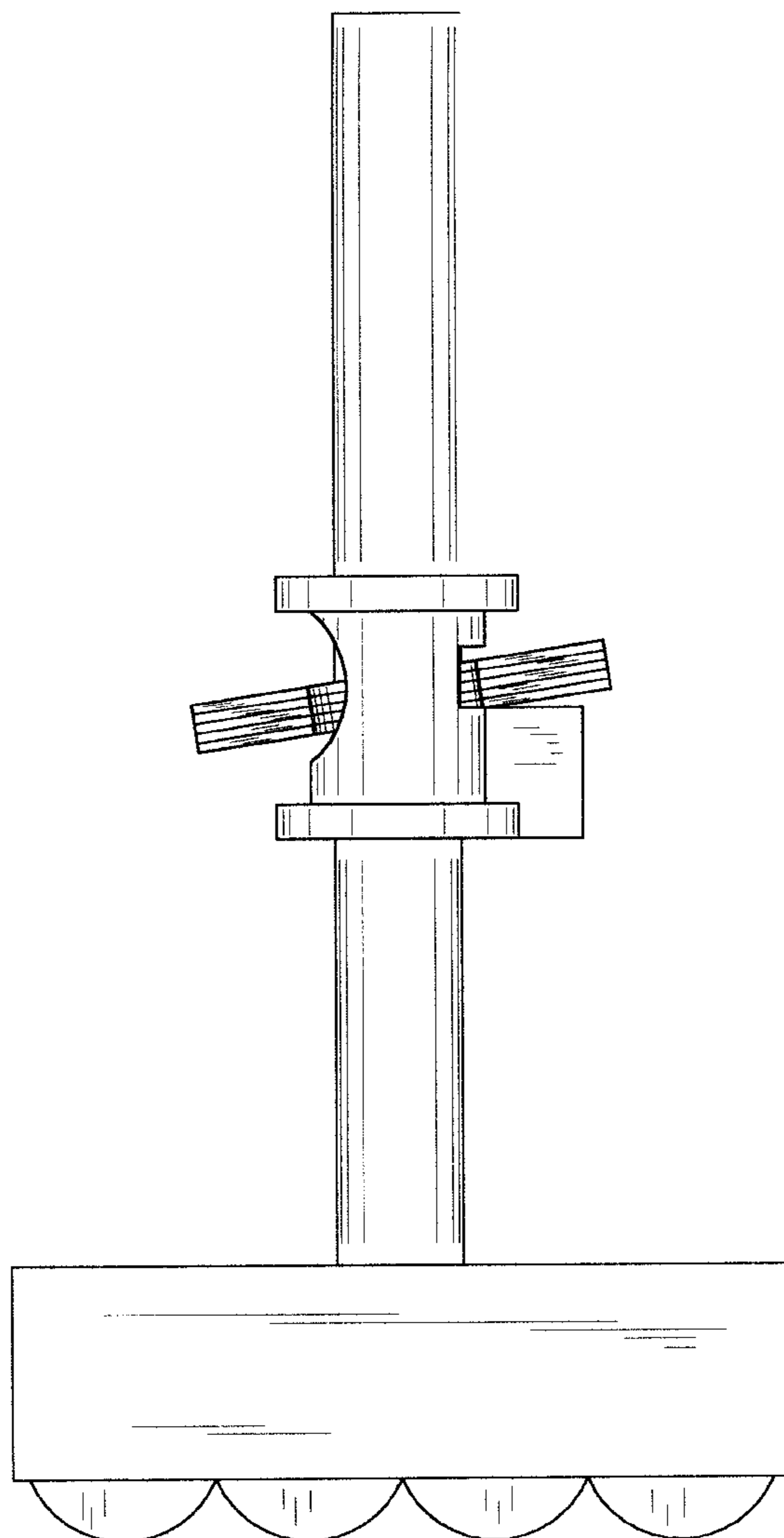
FIG. 5 is a top view of the ladder leveler; and,

FIG. 6 is a bottom view of the ladder leveler.

U.S. PATENT DOCUMENTS

D419,243 S * 1/2000 Goch D25/68

1 Claim, 4 Drawing Sheets



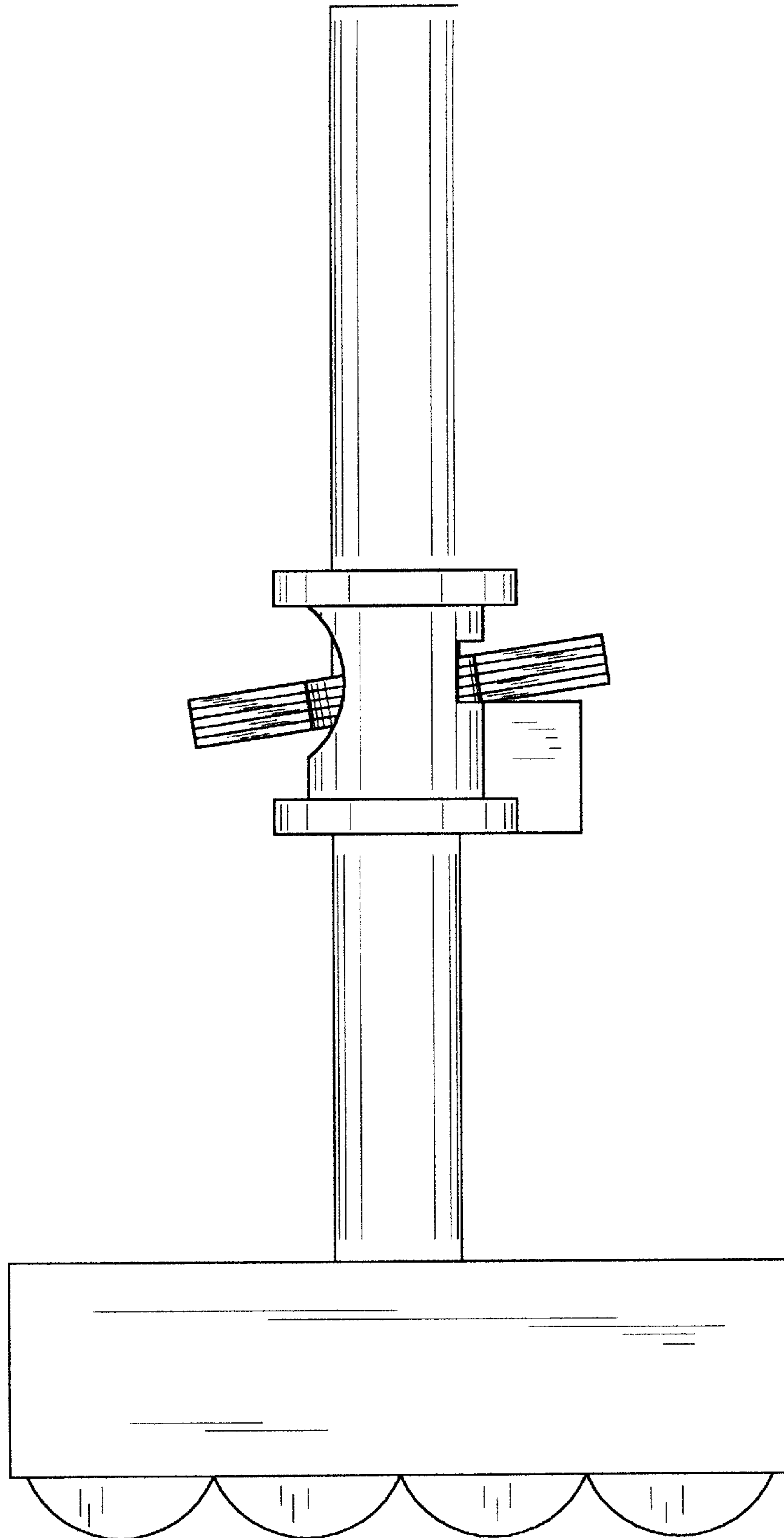


FIG. 1

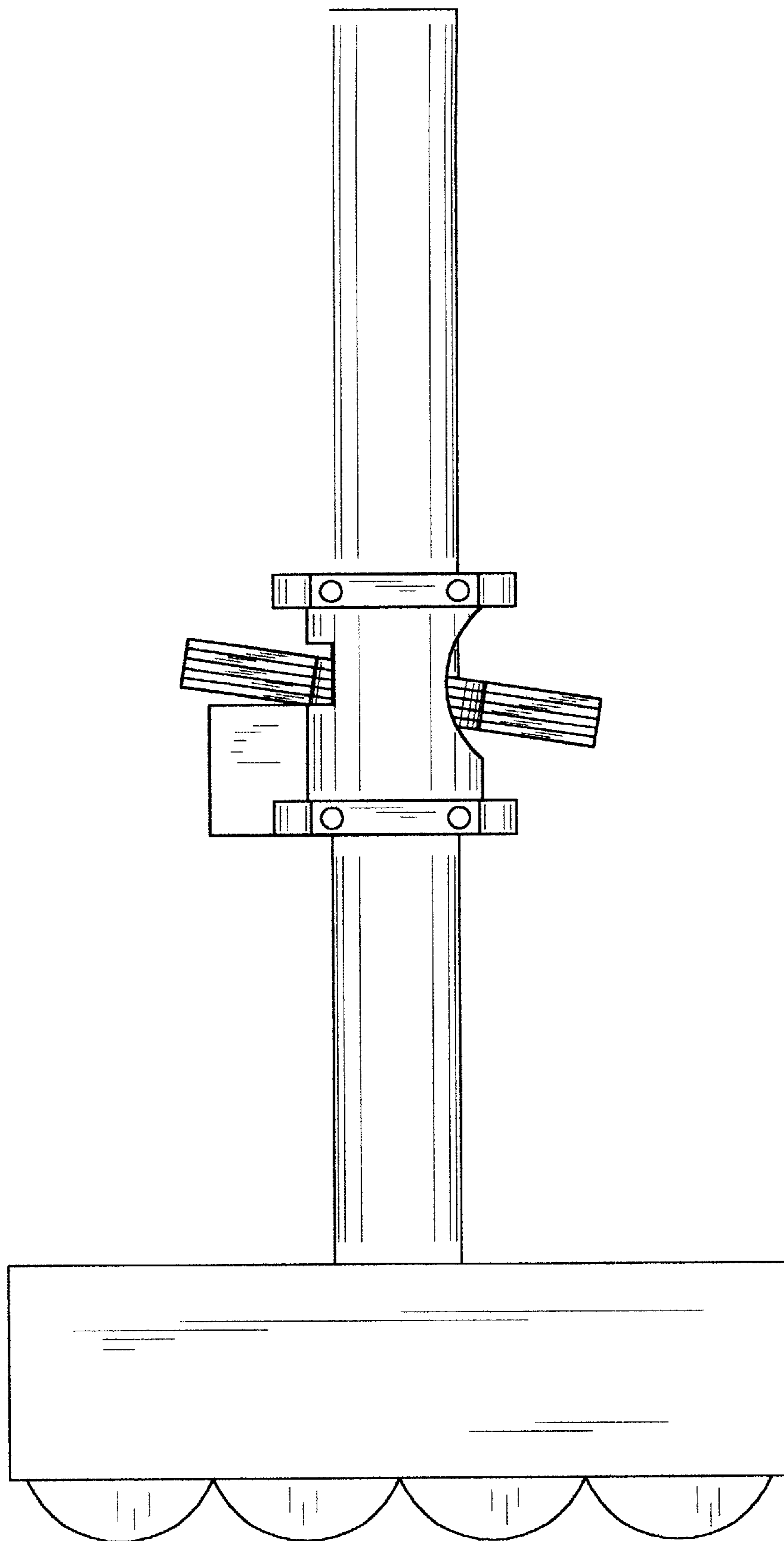


FIG. 2

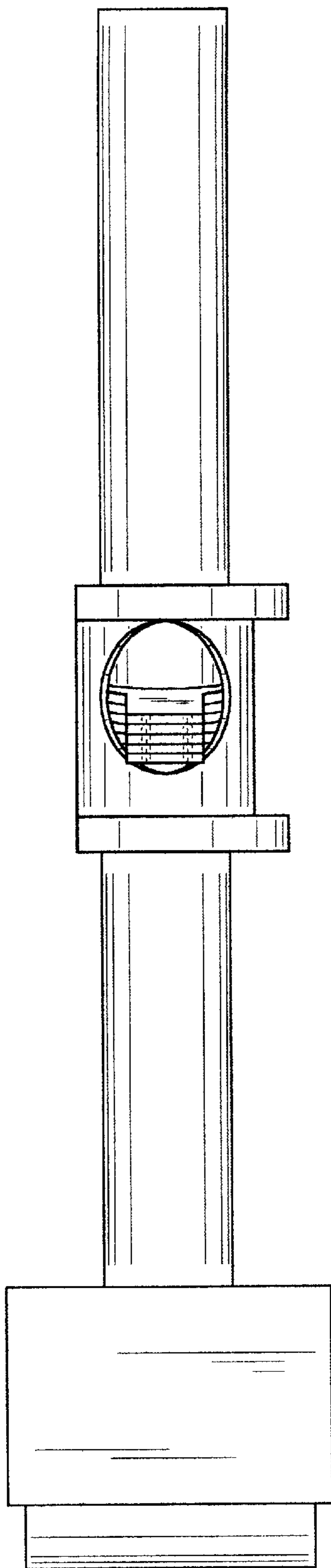


FIG. 3

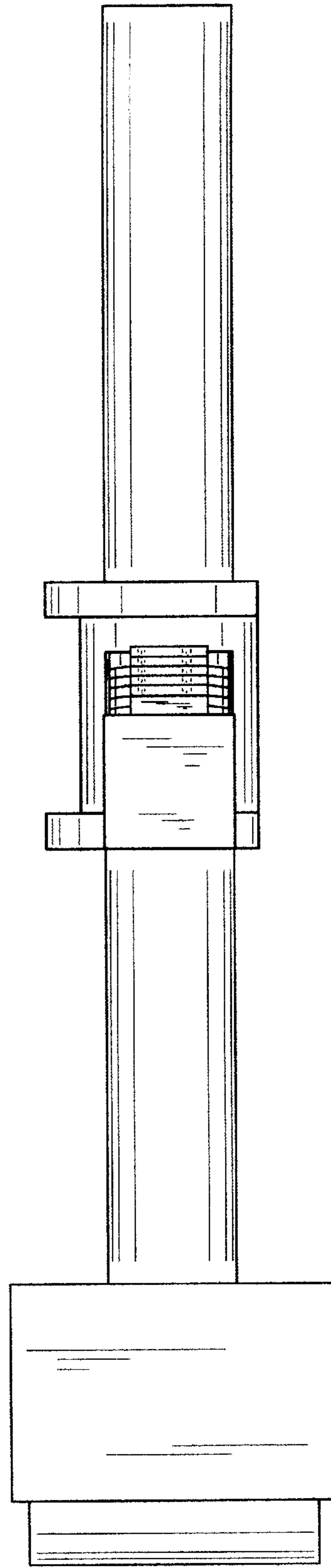


FIG. 4

FIG. 5

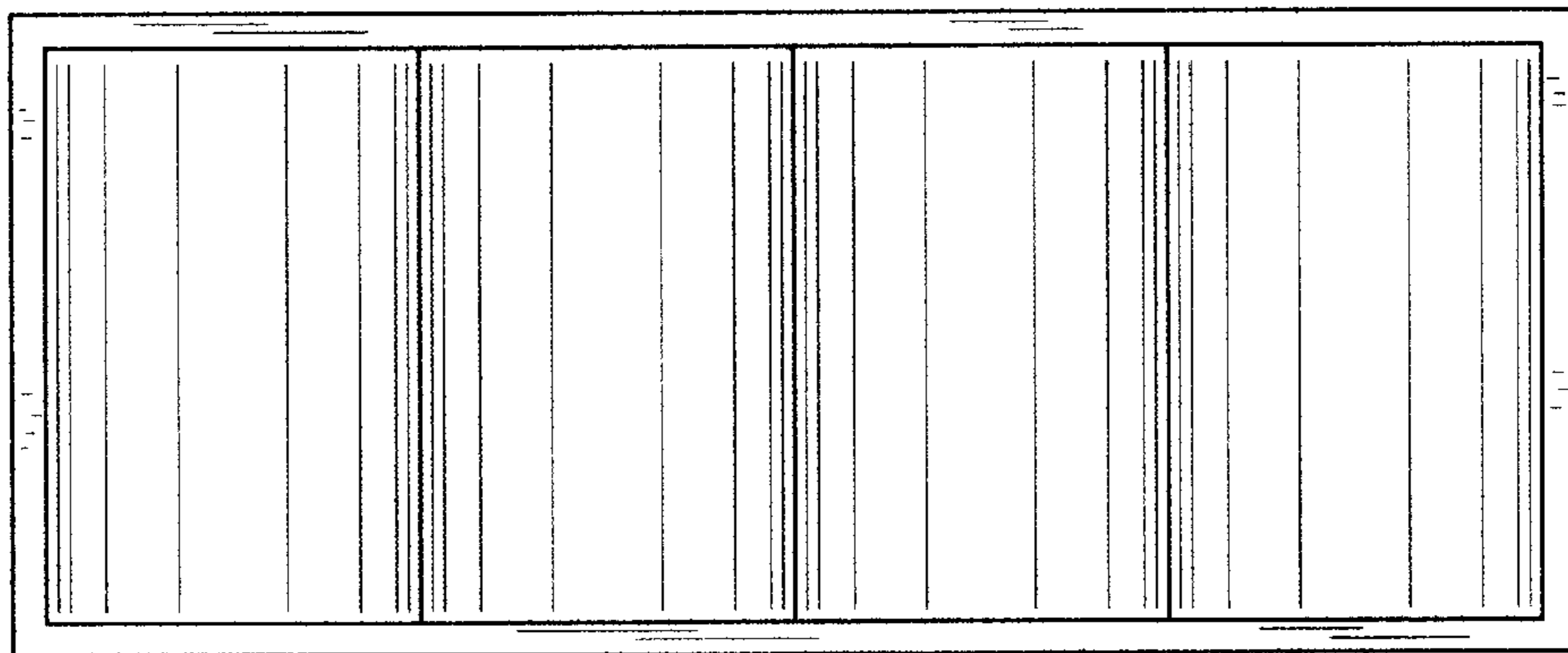
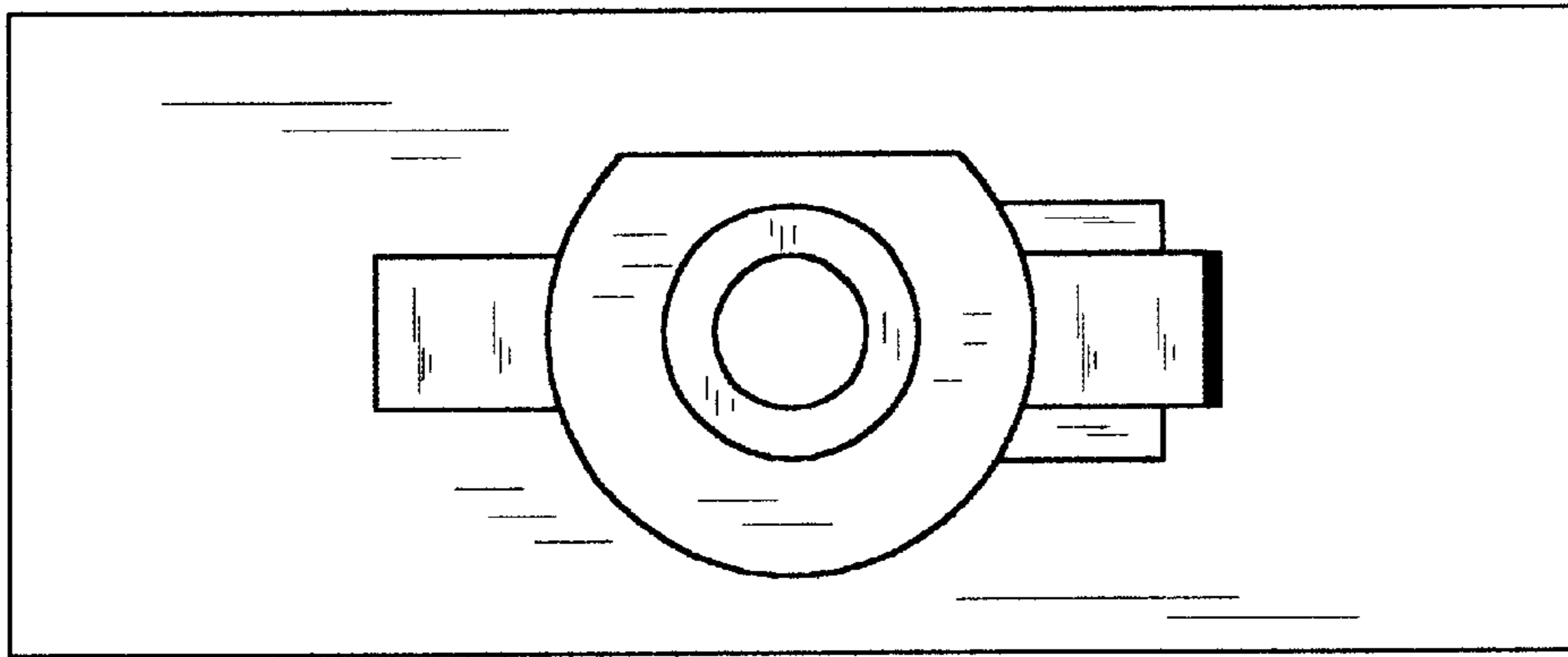


FIG. 6