



US00D482121S

(12) **United States Design Patent**  
**Harding et al.**

(10) **Patent No.:** **US D482,121 S**

(45) **Date of Patent:** **\*\* Nov. 11, 2003**

(54) **NEEDLELESS LUER ACCESS PORT**

6,221,065 B1 \* 4/2001 Davis ..... 604/539

(75) Inventors: **Weston F. Harding**, Lehi, UT (US);  
**Lawrence A. Lynn**, Worthington, OH  
(US); **Ralph L. Sonderegger**,  
Farmington, UT (US)

\* cited by examiner

*Primary Examiner*—Ian Simmons  
(74) *Attorney, Agent, or Firm*—James J. Murtha

(73) Assignee: **Becton Dickinson and Company**,  
Franklin Lakes, NJ (US)

(57) **CLAIM**

The ornamental design for a needleless luer access port, as shown.

(\*\*) Term: **14 Years**

**DESCRIPTION**

(21) Appl. No.: **29/167,577**

FIG. 1 is a top, right, front perspective view of the needleless luer access port of the instant invention;

(22) Filed: **Sep. 17, 2002**

FIG. 2 is a right side elevation view of the needleless luer access port of FIG. 1;

(51) **LOC (7) Cl.** ..... **24-02**

(52) **U.S. Cl.** ..... **D24/129**

FIG. 3 is a front elevation view of the needleless luer access port of FIG. 1;

(58) **Field of Search** ..... D24/129, 112;  
604/256, 83, 246, 905, 167.01, 167.02,  
167.03, 533, 538, 539, 284

FIG. 4 is a left elevation view of the needleless luer access port of FIG. 1;

(56) **References Cited**

**U.S. PATENT DOCUMENTS**

4,197,848 A \* 4/1980 Garrett et al. .... 604/83  
D323,889 S \* 2/1992 Wyatt et al. .... D24/129  
5,632,735 A \* 5/1997 Wyatt et al. .... 604/539  
5,676,346 A \* 10/1997 Leinsing ..... 604/905

FIG. 5 is a rear elevation view of the needleless luer access port of FIG. 1;

FIG. 6 is a top view of the needleless luer access port of FIG. 1; and,

FIG. 7 is a bottom view of the needleless luer access port of FIG. 1.

**1 Claim, 6 Drawing Sheets**

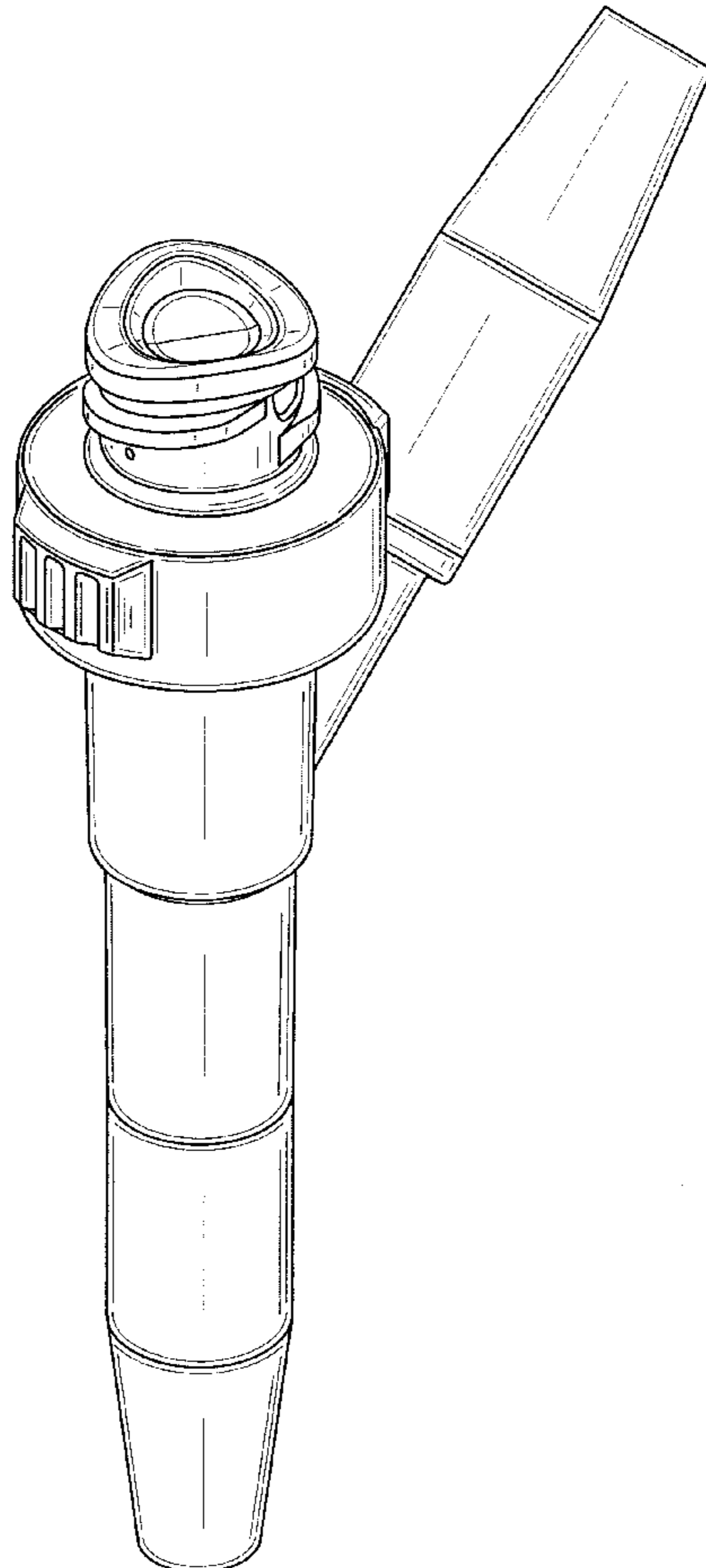


FIG. 1

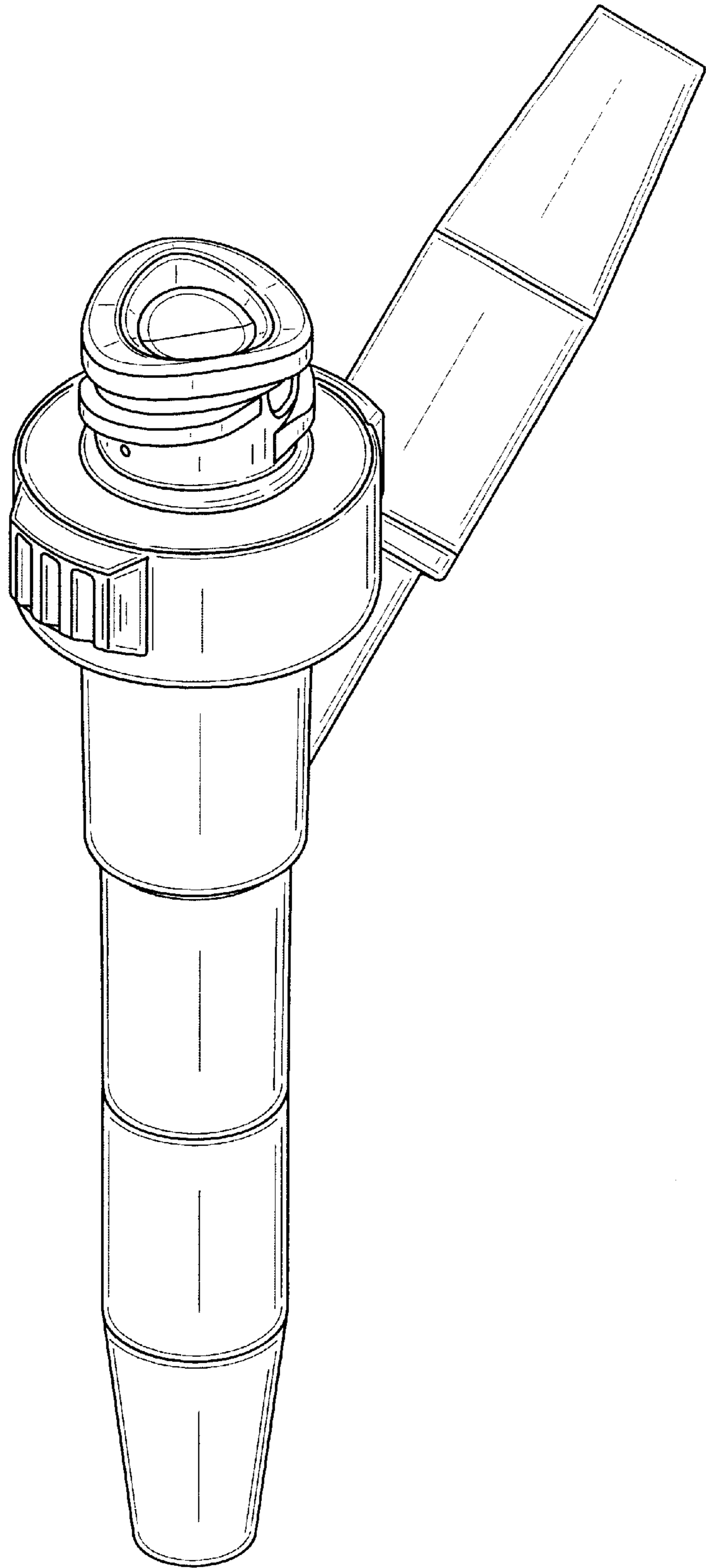


FIG. 2

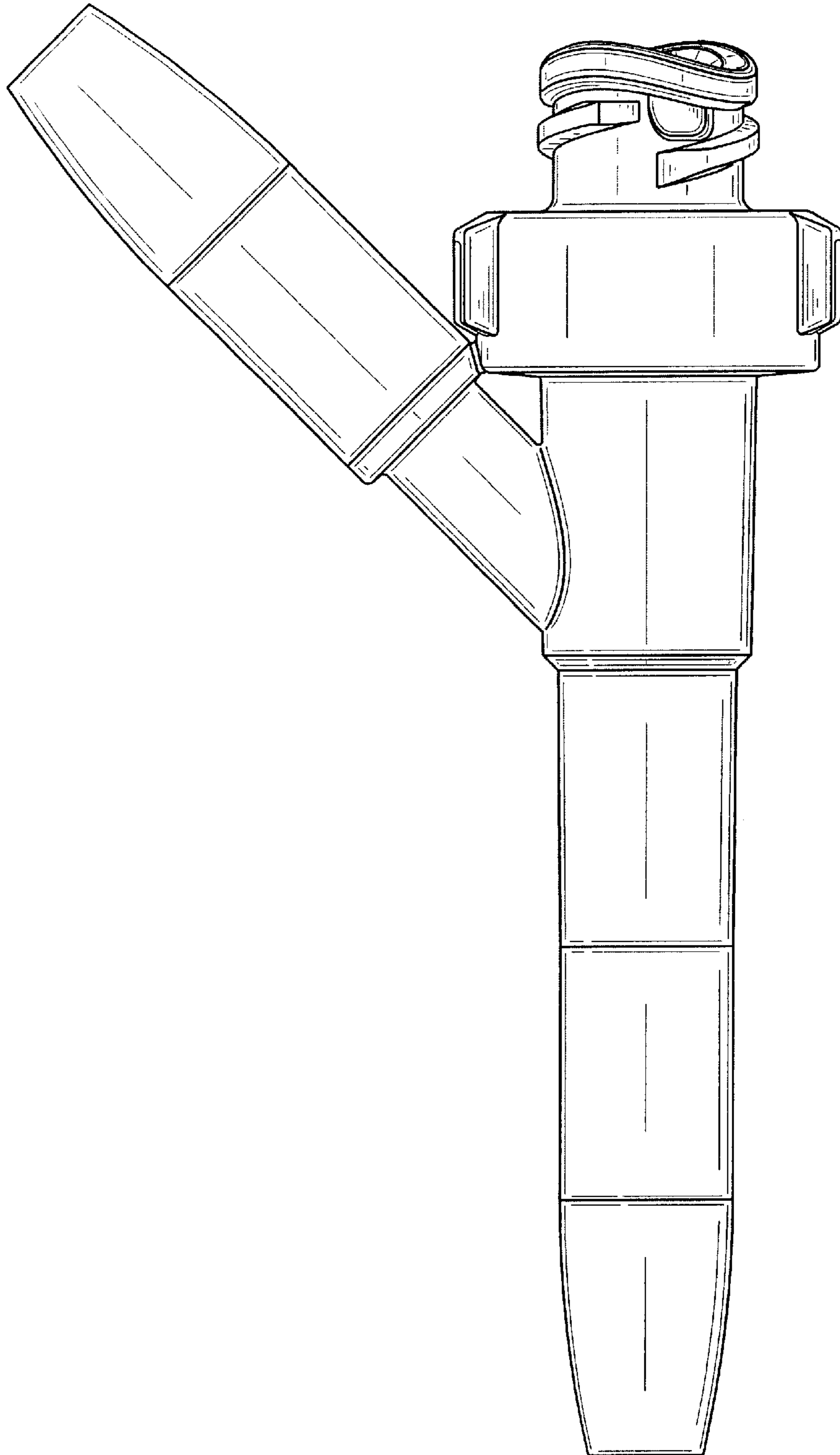


FIG. 3

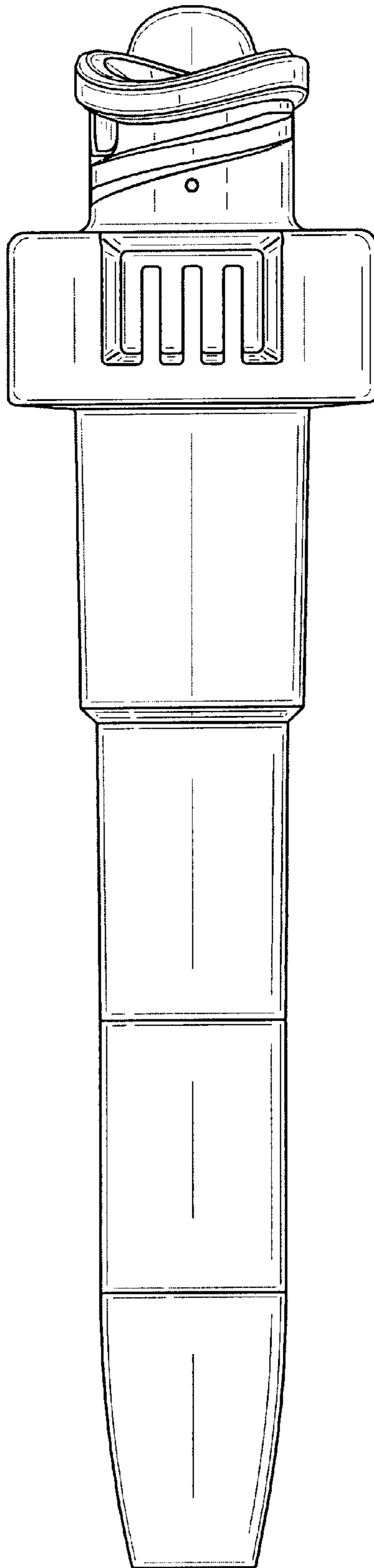


FIG. 4

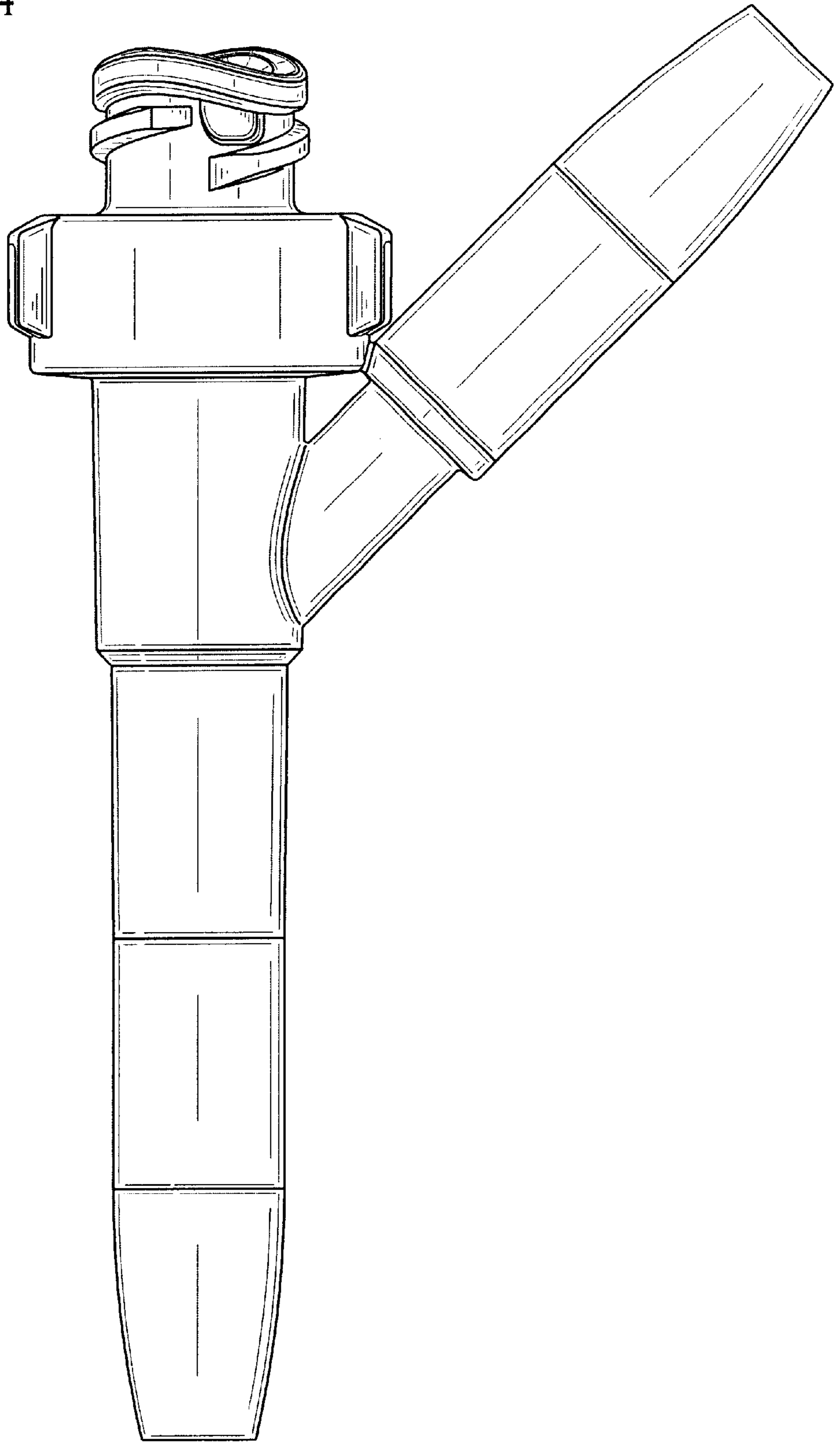


FIG. 5

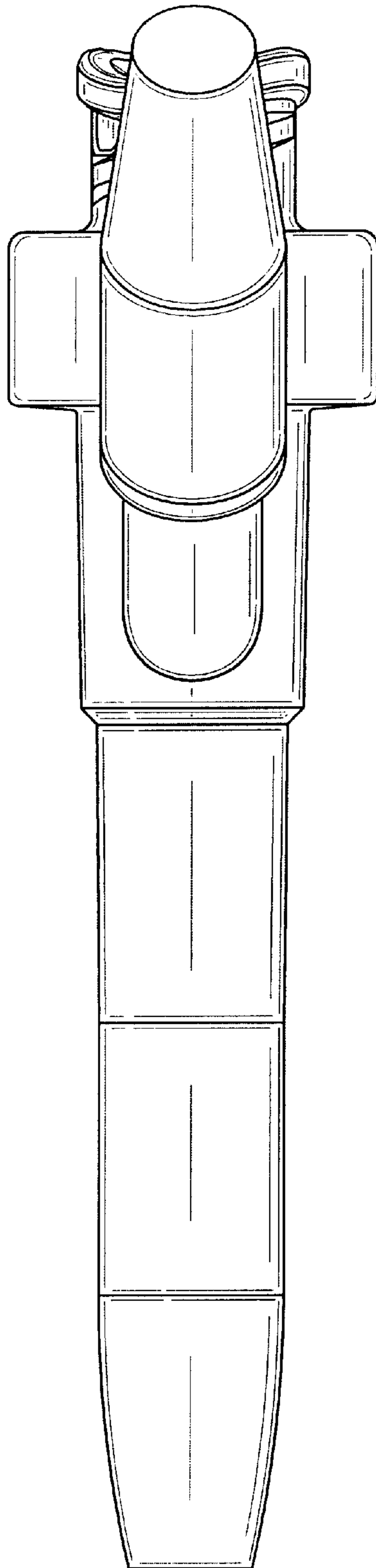


FIG. 6

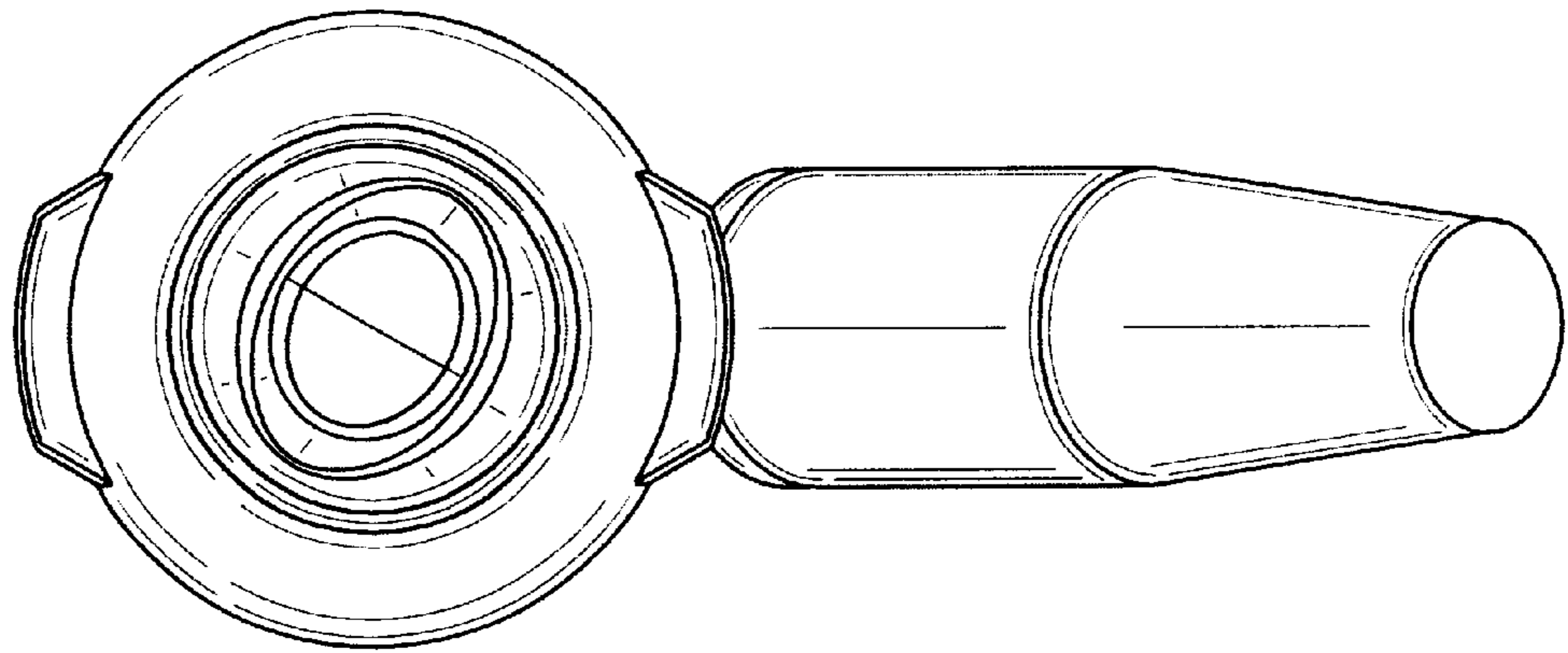


FIG. 7

