



US00D482119S

(12) **United States Design Patent**
Pasternak

(10) **Patent No.:** **US D482,119 S**

(45) **Date of Patent:** **** Nov. 11, 2003**

(54) **INHALATION DEVICE**

(75) Inventor: **Gary Pasternak**, Bantford, CA (US)

(73) Assignee: **SmithKline Beecham Corporation**,
Philadelphia, PA (US)

(**) Term: **14 Years**

(21) Appl. No.: **29/171,445**

(22) Filed: **Nov. 22, 2002**

(51) **LOC (7) Cl.** **29-02**

(52) **U.S. Cl.** **D24/110; D24/115**

(58) **Field of Search** **D24/110, 115;**
128/200.22, 200.23, 203.23, 200.14, 200.12,
203.12, 203.15; 227/153.11, 153.13, 153.14

(56) **References Cited**

U.S. PATENT DOCUMENTS

D320,083 S	*	9/1991	Casey	D24/110
D414,261 S	*	9/1999	Ritsche	D24/110
D468,423 S	*	1/2003	Renfrew	D24/115

* cited by examiner

Primary Examiner—Ian Simmons

(74) *Attorney, Agent, or Firm*—James P. Riek

(57) **CLAIM**

The ornamental design for an inhalation device, as shown and described.

DESCRIPTION

FIG. 1 is a perspective view of the inhalation device of our new design (with an actuator cover cap);

FIG. 2 is a side view of of the inhalation device depicted in FIG. 1.

FIG. 3 is a rear view of the opposite side of the inhalation device depicted in FIG. 2.

FIG. 4 is a side view of the opposite side of the inhalation device depicted in FIG. 2;

FIG. 5 is a front view of the inhalation device depicted in FIG. 1;

FIG. 6 is a top view of the inhalation device depicted in FIG. 1;

FIG. 7 is a bottom view of the inhalation device depicted in FIG. 1;

FIG. 8 is a perspective view of the inhalation device of our new design (with a cover cap shown in relief);

FIG. 9 is a side view of the inhalation device depicted in FIG. 8 (with a cover cap).

FIG. 10 is a rear view of the opposite side of FIG. 9

FIG. 11 is a side view of the opposite side of the inhalation device depicted in FIG. 9.

FIG. 12 is a front view of the inhalation device as depicted in FIG. 8.

FIG. 13 is a top view of the inhalation device as depicted in FIG. 8; and,

FIG. 14 is a bottom view of the inhalation device as depicted in FIG. 8.

1 Claim, 4 Drawing Sheets

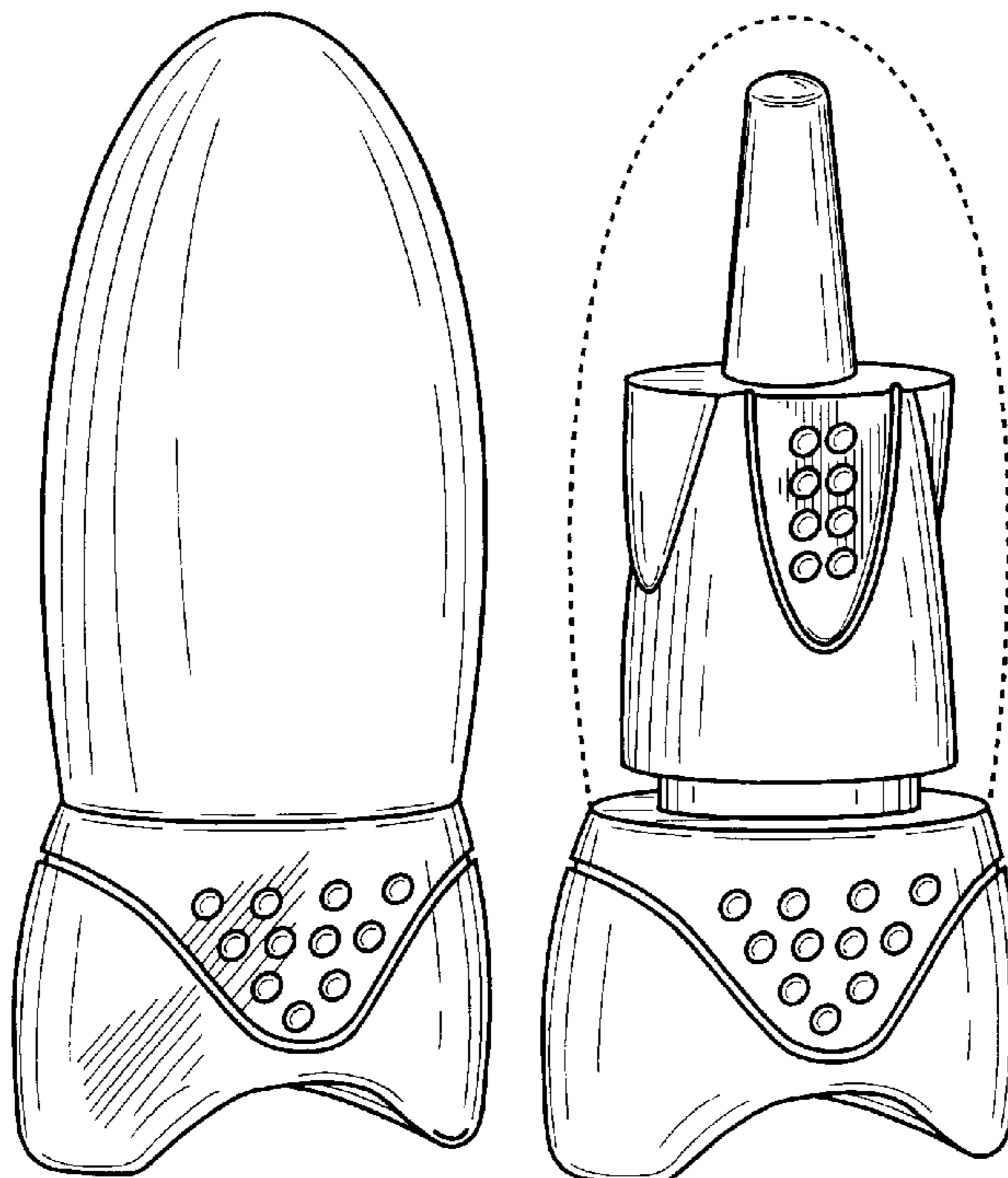


FIG. 1

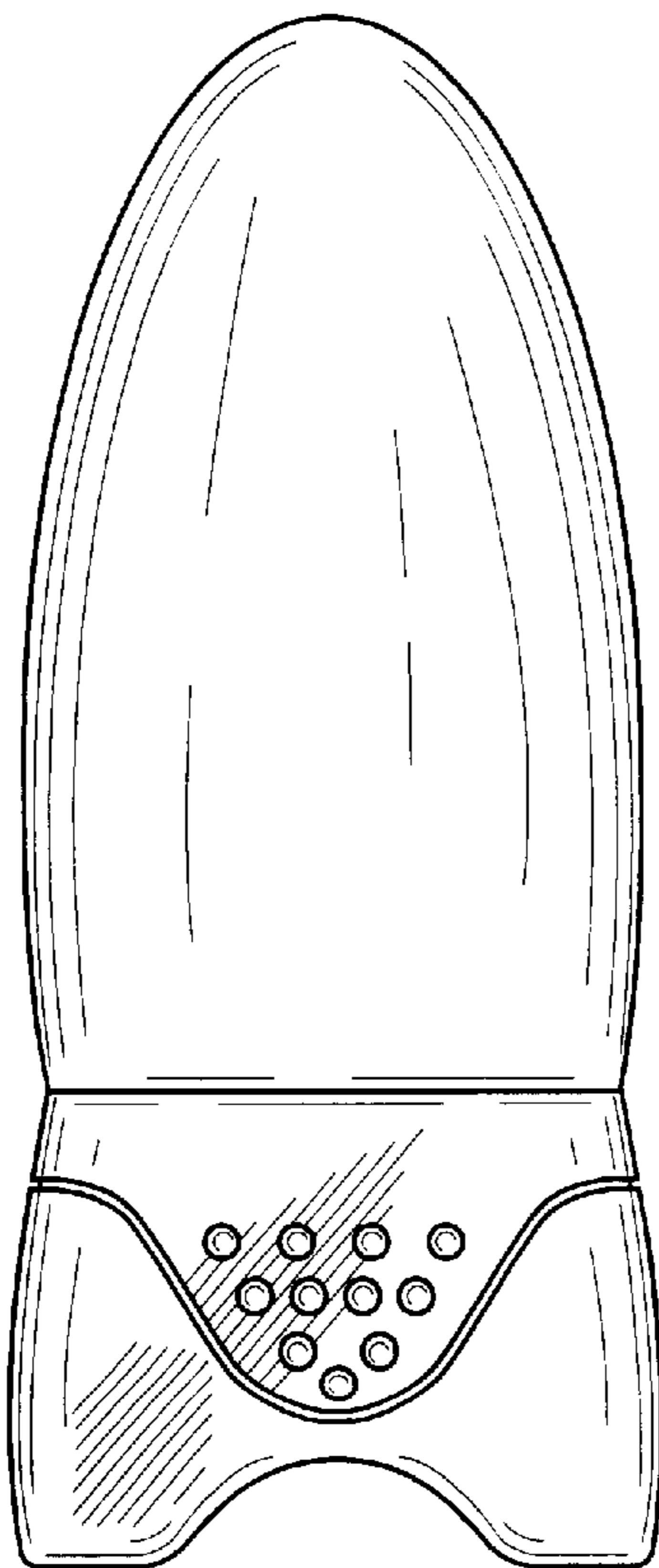
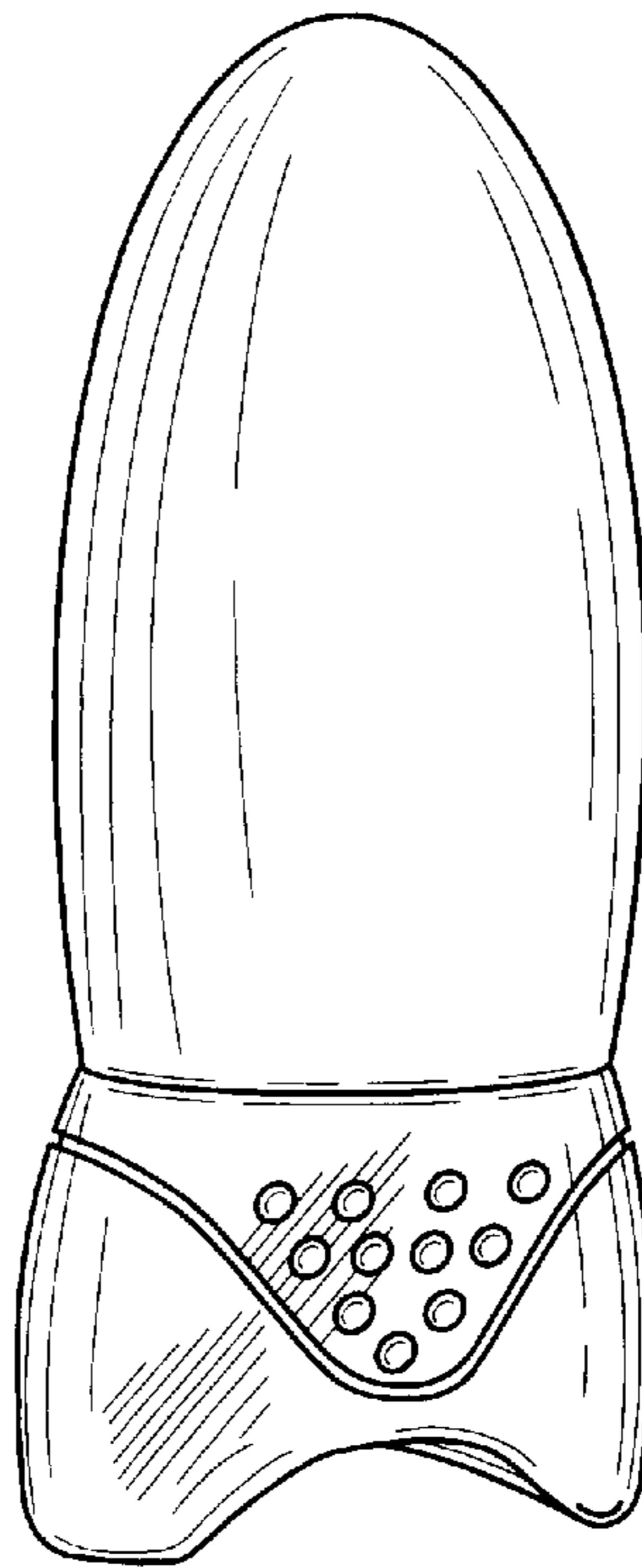


FIG. 2

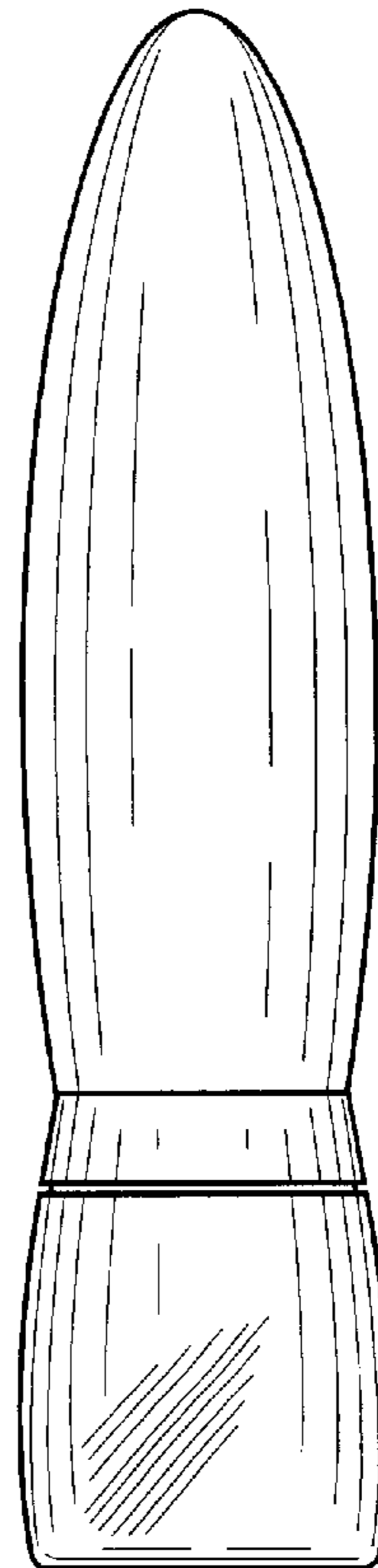


FIG. 3

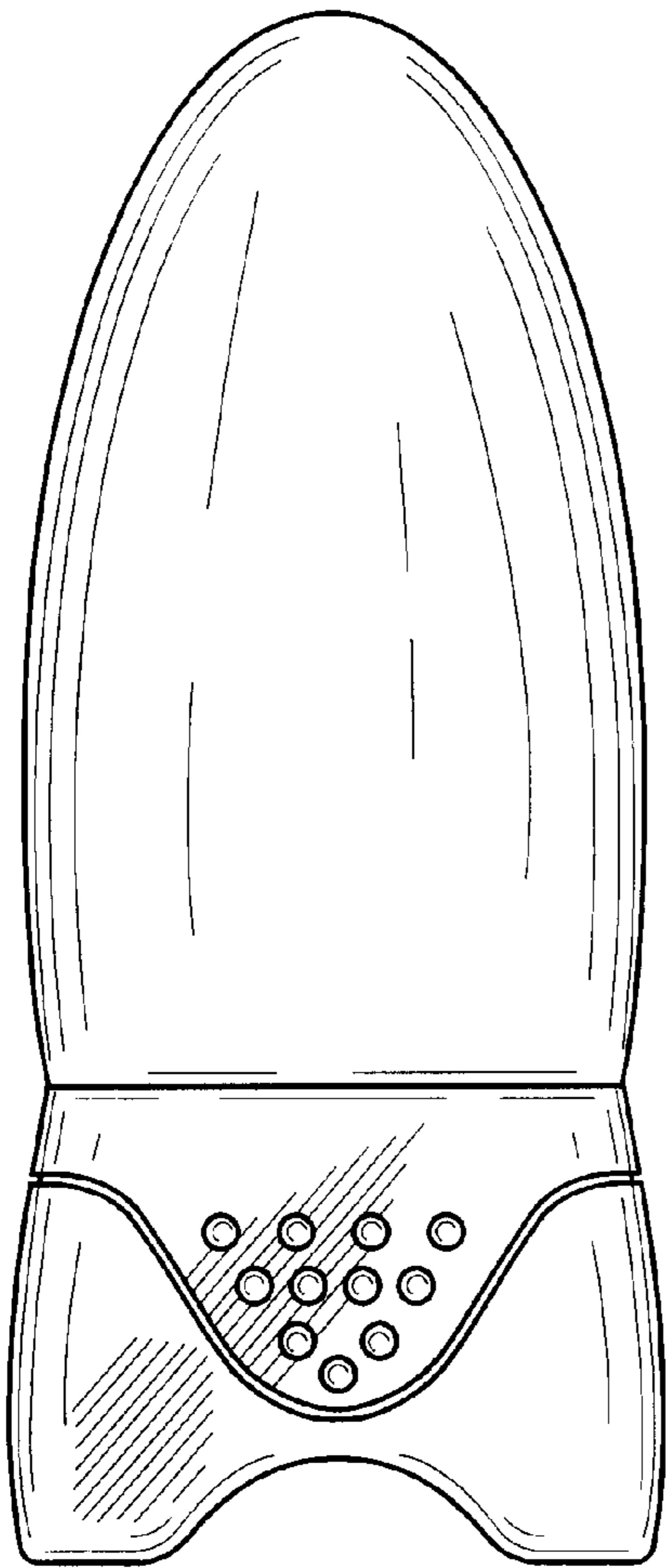


FIG. 4

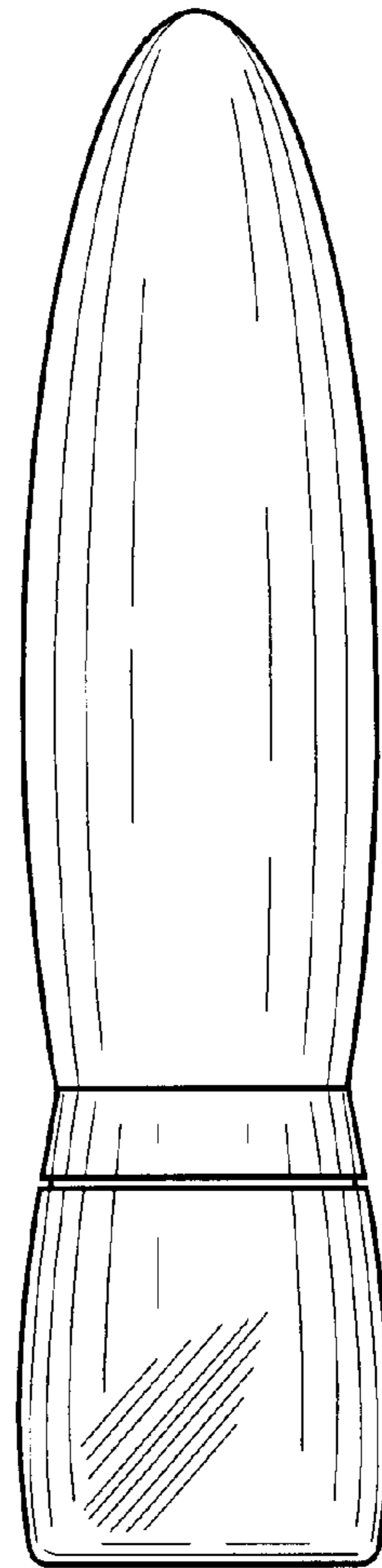


FIG. 5

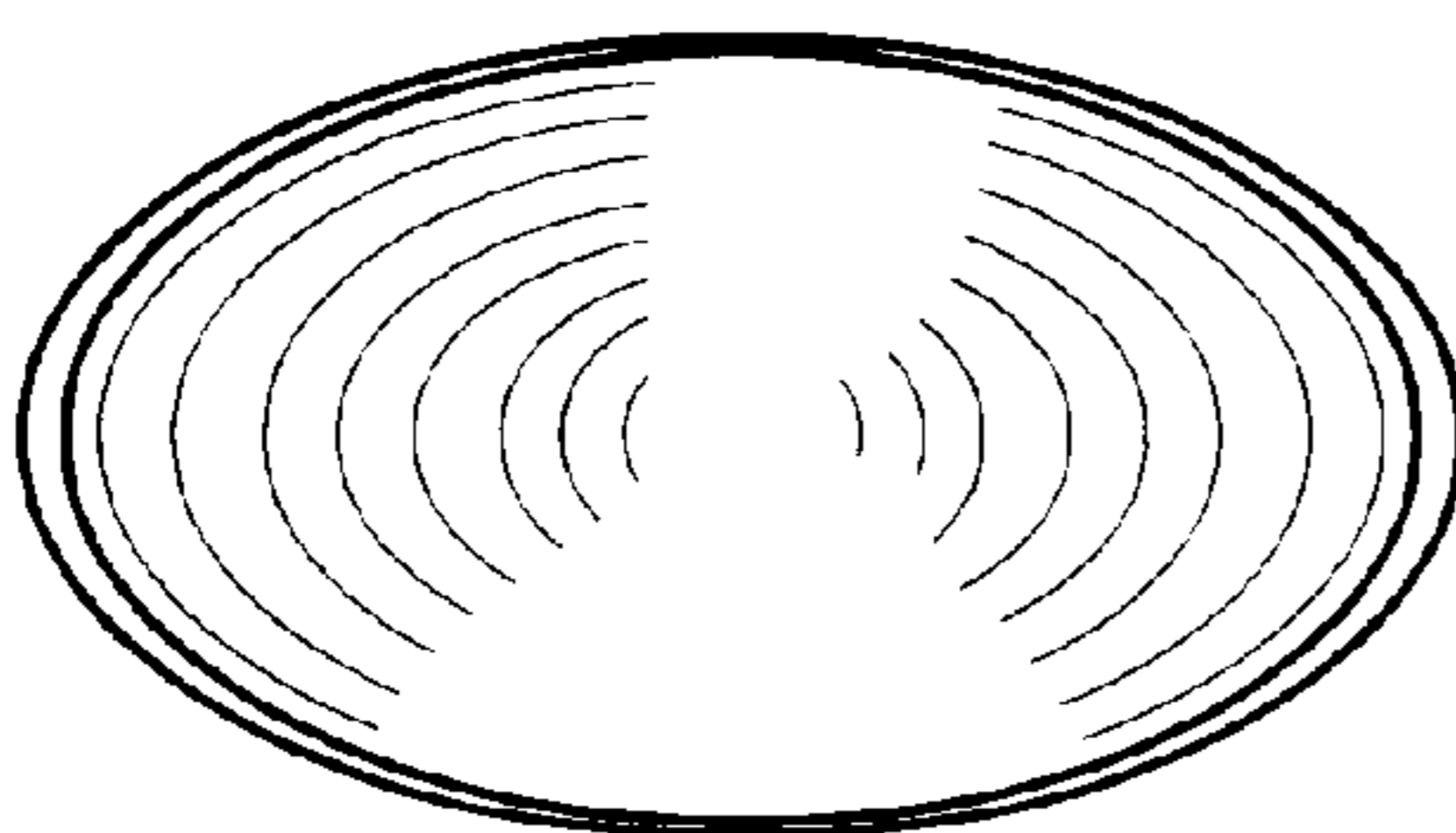


FIG. 6

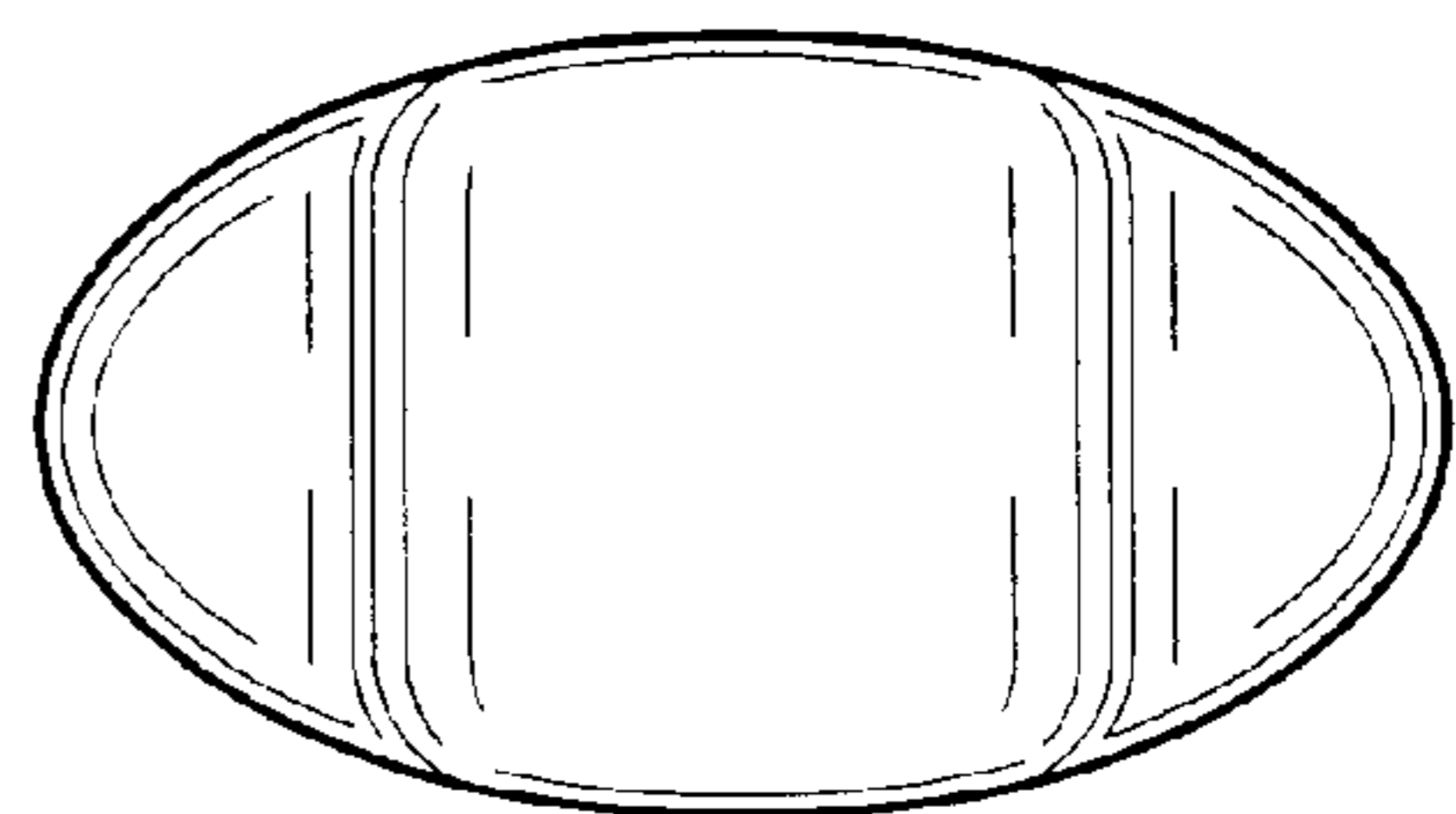


FIG. 7

FIG. 8

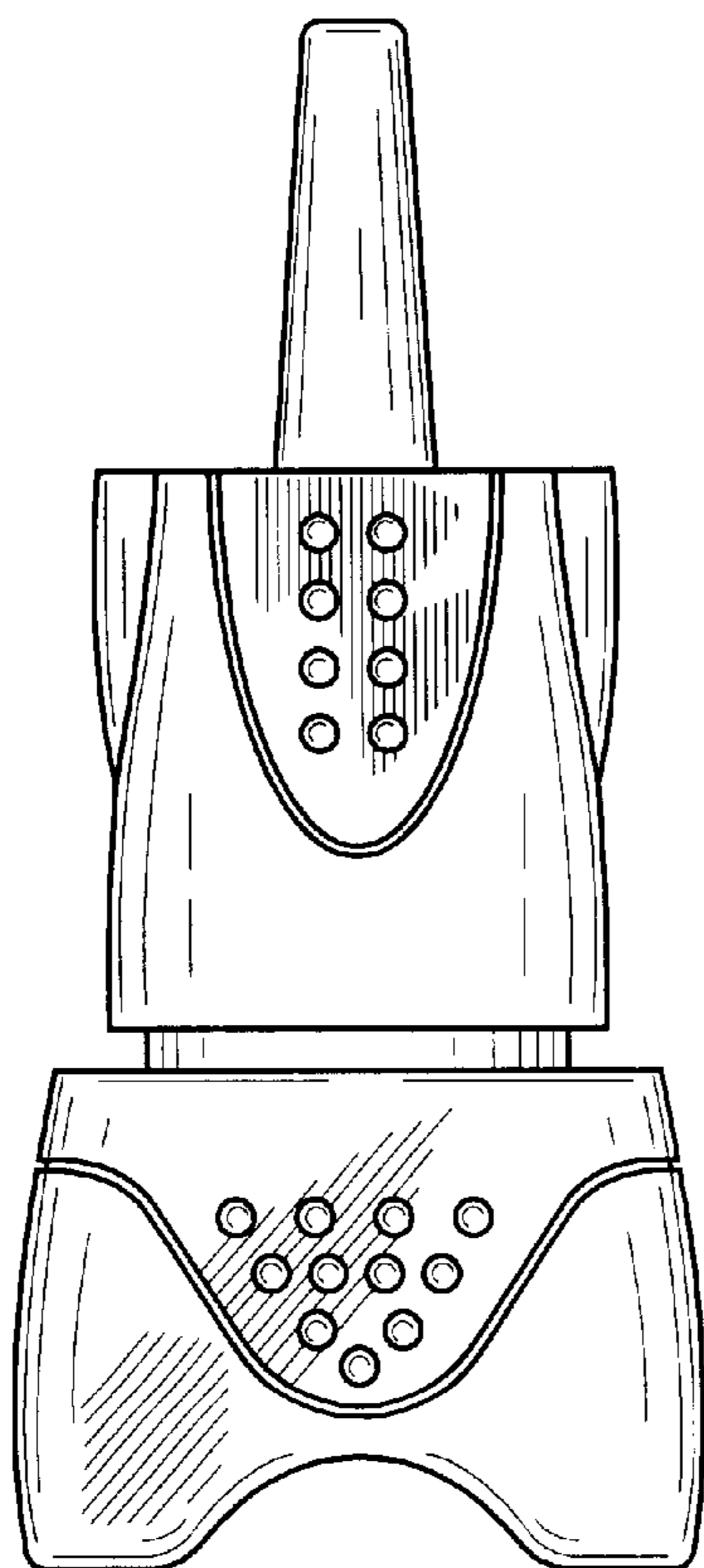
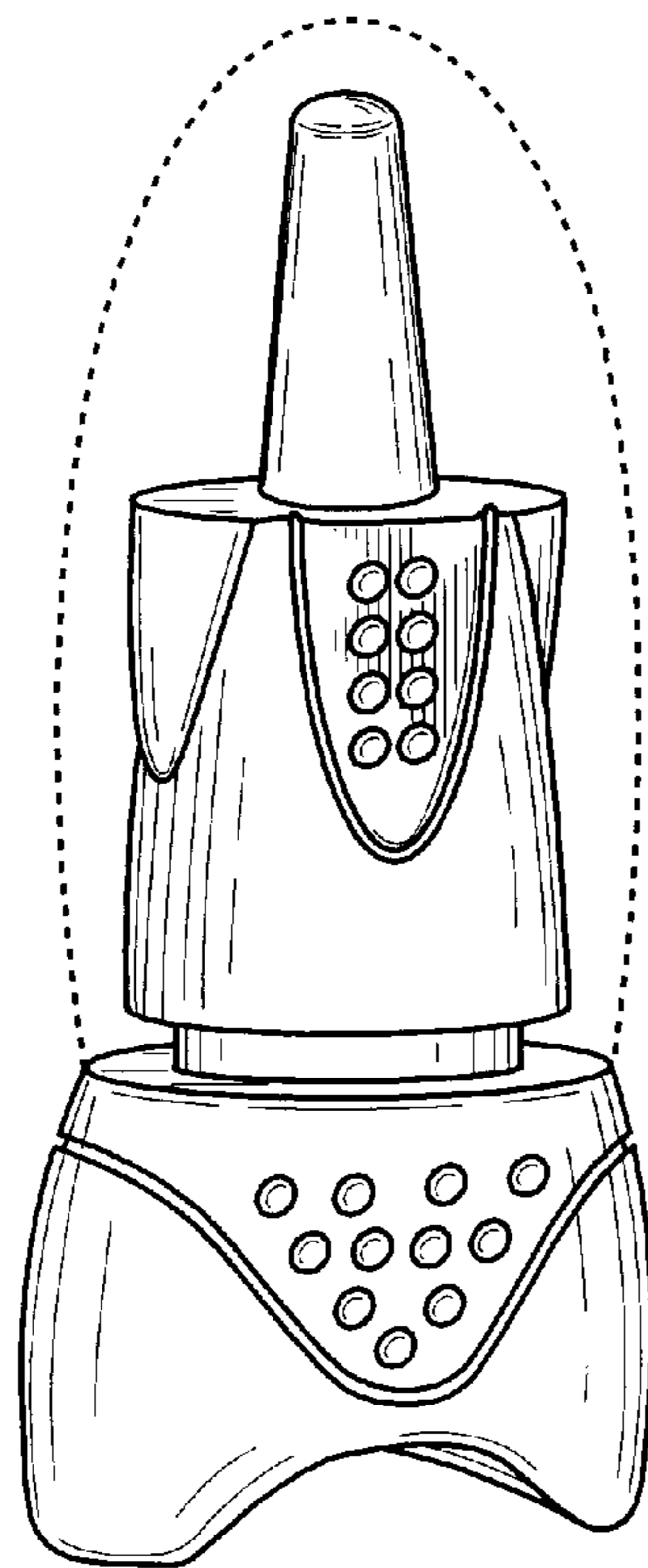


FIG. 9

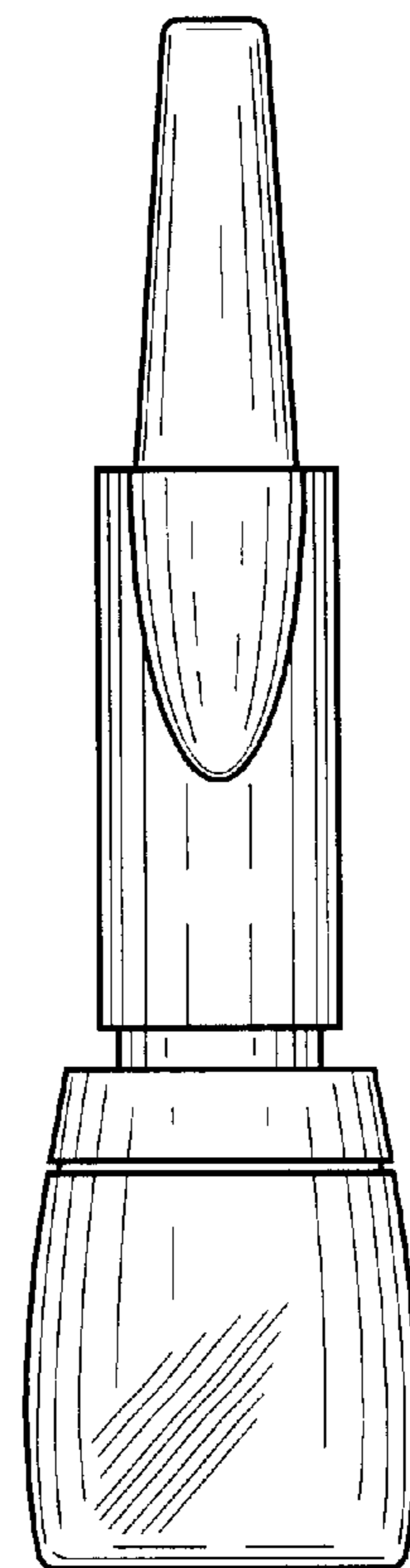


FIG. 10

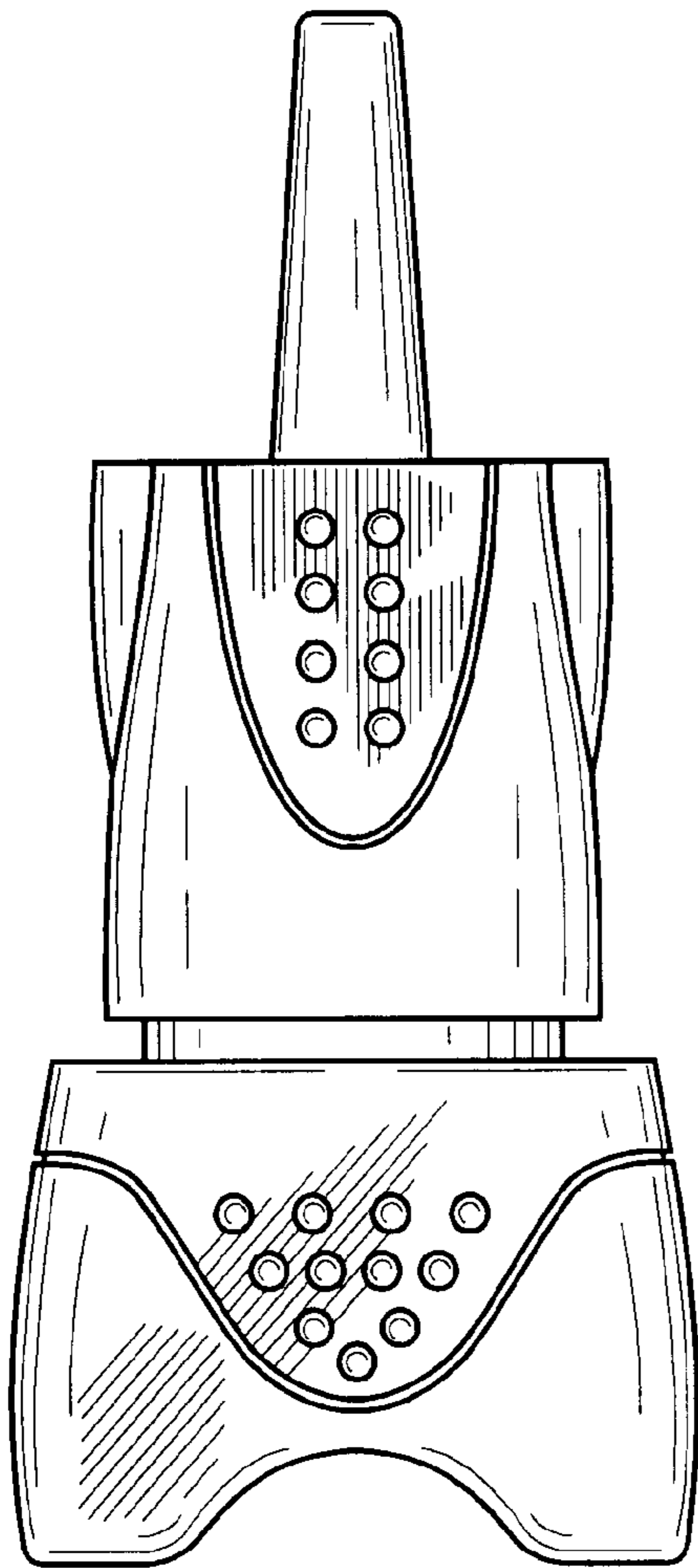


FIG. 11

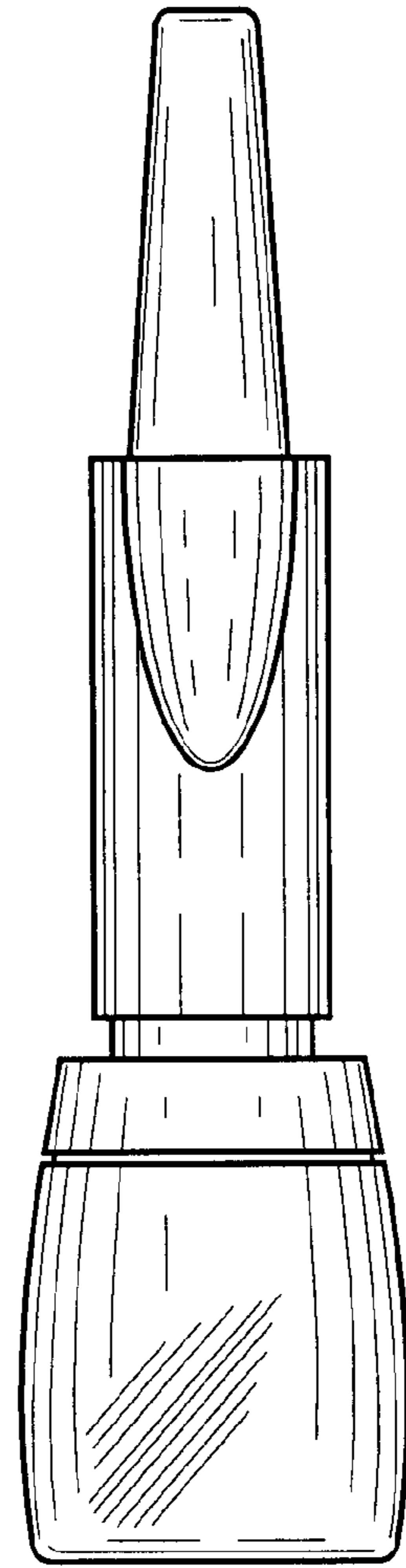


FIG. 12

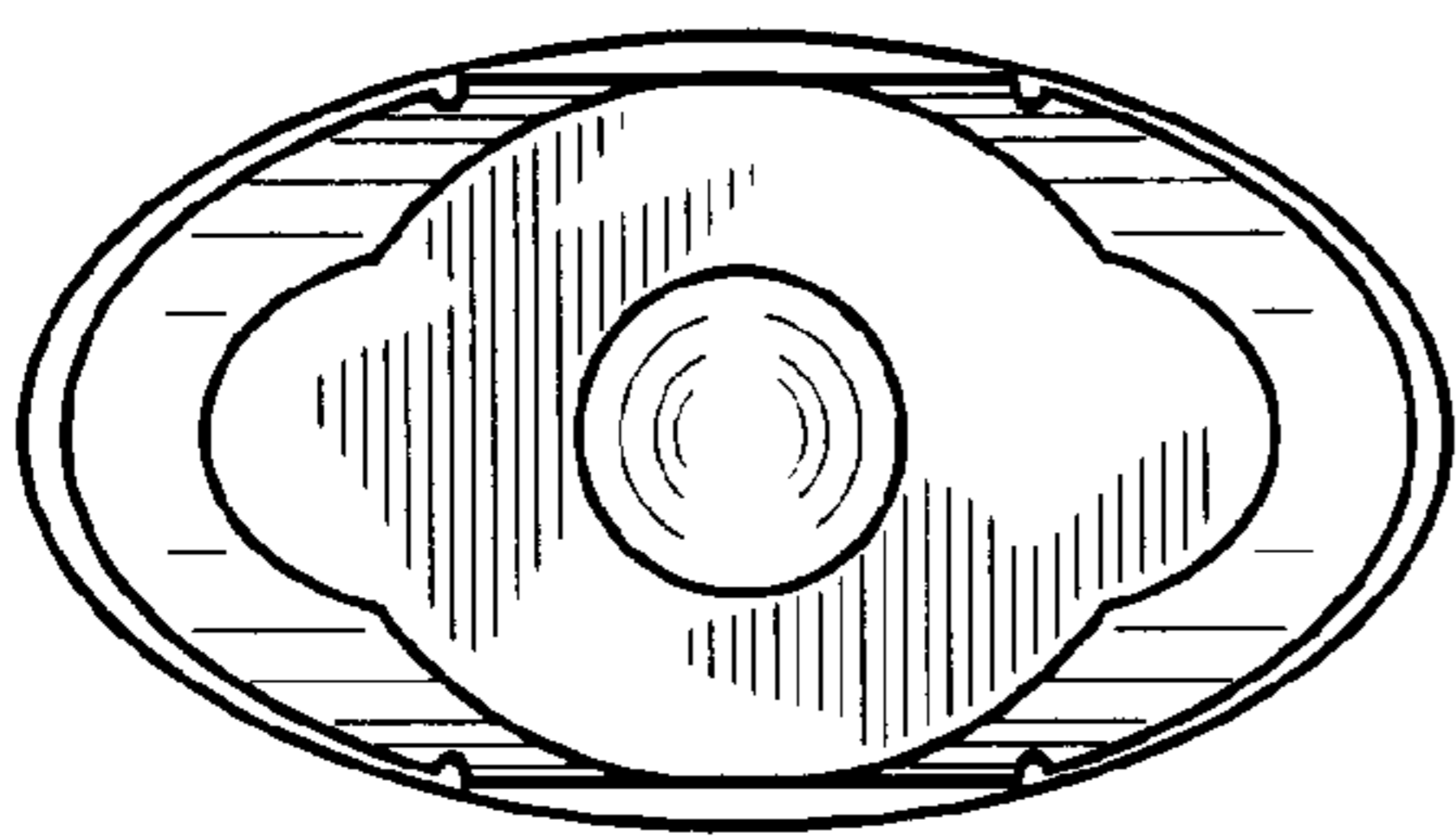


FIG. 13

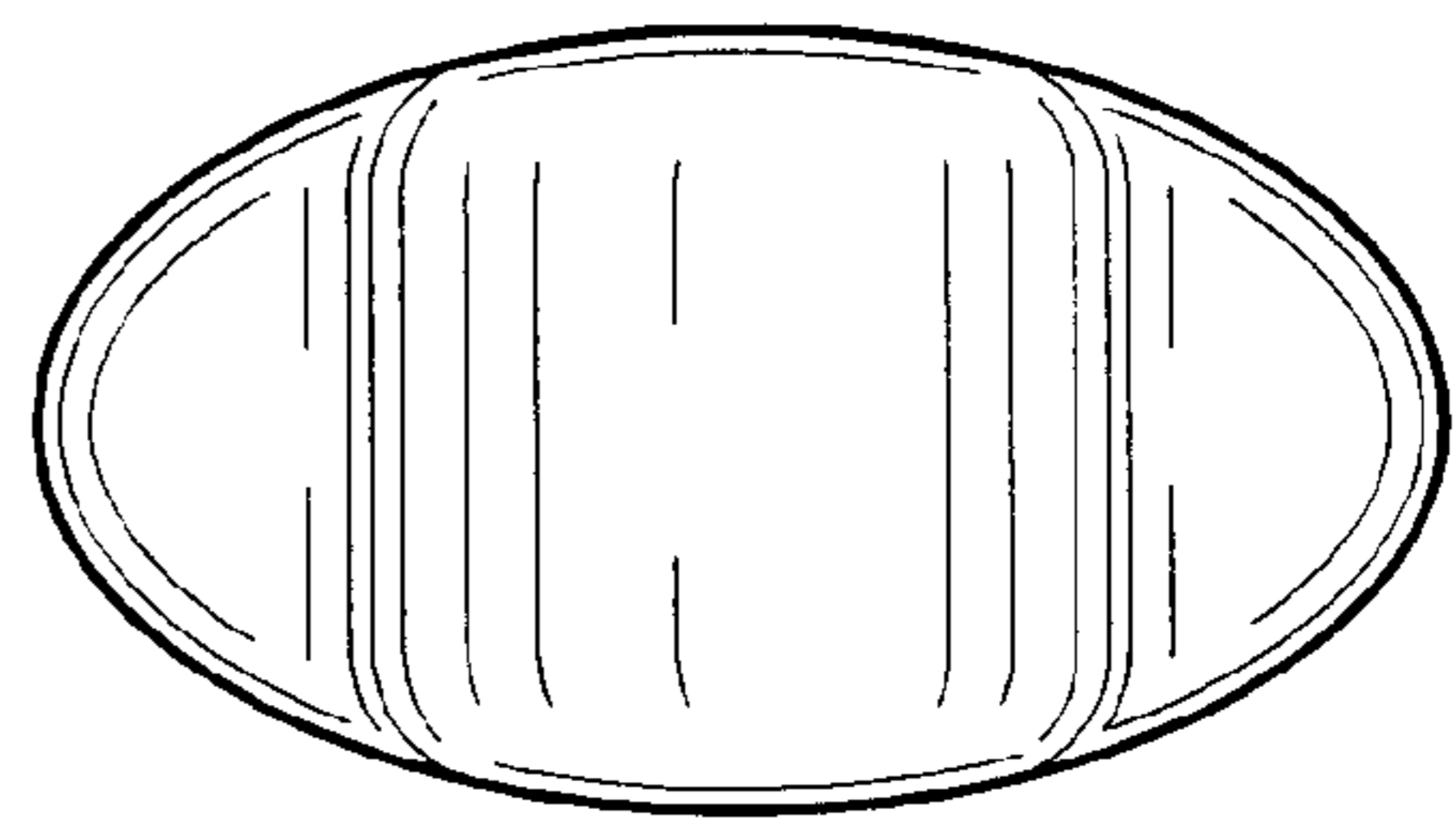


FIG. 14