



US00D482117S

(12) **United States Design Patent**  
**Friedes**

(10) **Patent No.:** **US D482,117 S**

(45) **Date of Patent:** **\*\* Nov. 11, 2003**

(54) **CEILING FAN BLADE ASSEMBLY**

(75) Inventor: **Michael Friedes**, Piedmont, CA (US)

(73) Assignee: **Minka Lighting, Inc.**, Corona, CA (US)

(\*\*) Term: **14 Years**

(21) Appl. No.: **29/170,425**

(22) Filed: **Nov. 5, 2002**

(51) **LOC (7) Cl.** ..... **23-04**

(52) **U.S. Cl.** ..... **D23/413**

(58) **Field of Search** ..... D23/413, 411,  
D23/377, 379, 385; 416/5, 210 R; 392/364

(56) **References Cited**

**U.S. PATENT DOCUMENTS**

D399,949 S	*	10/1998	Chou	.....	D23/413
D460,549 S		7/2002	Sonneman	.....	D23/411
D464,722 S		10/2002	Sonneman	.....	D23/377
D465,277 S		11/2002	Sonneman	.....	D23/411

\* cited by examiner

*Primary Examiner*—Lisa Lichtenstein

(74) *Attorney, Agent, or Firm*—Jenkins & Gilchrist, P.C.

(57) **CLAIM**

The ornamental design for an ceiling fan blade assembly, as shown and described.

**DESCRIPTION**

FIG. 1 is a perspective view from below of the ceiling fan blade assembly in accordance with my design, illustrating the environment of the invention;

FIG. 2 is a bottom plan view on a reduced scale of the ceiling fan blade assembly in accordance with my design, illustrating the environment of the invention;

FIG. 3 is a front view on a reduced scale of the ceiling fan blade assembly in accordance with my design, illustrating the environment of the invention;

FIG. 4 is a top plan view on a reduced scale of the ceiling fan blade assembly in accordance with my design, illustrating the environment of the invention;

FIG. 5 is a side elevation view on a reduced scale of the ceiling fan blade assembly in accordance with my design, the opposite side being substantially identical to that shown, illustrating the environment of the invention;

FIG. 6 is an enlarged top plan view of the ceiling fan blade assembly in accordance with my design;

FIG. 7 is an enlarged bottom plan view of the ceiling fan blade assembly in accordance with my design;

FIG. 8 is an enlarged end view of the ceiling fan blade assembly in accordance with my design;

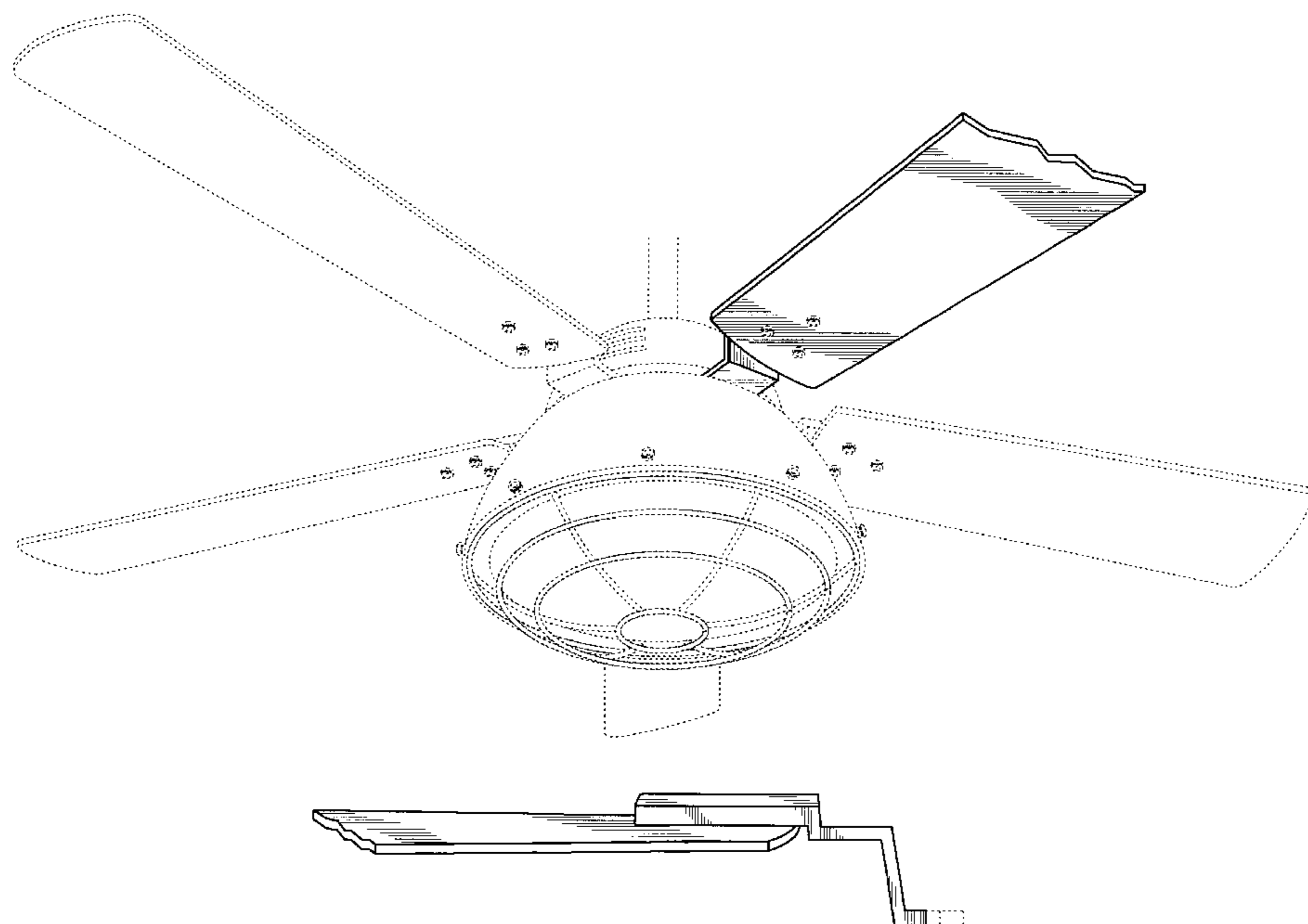
FIG. 9 is an enlarged left elevation view of the ceiling fan blade assembly in accordance with my design; and,

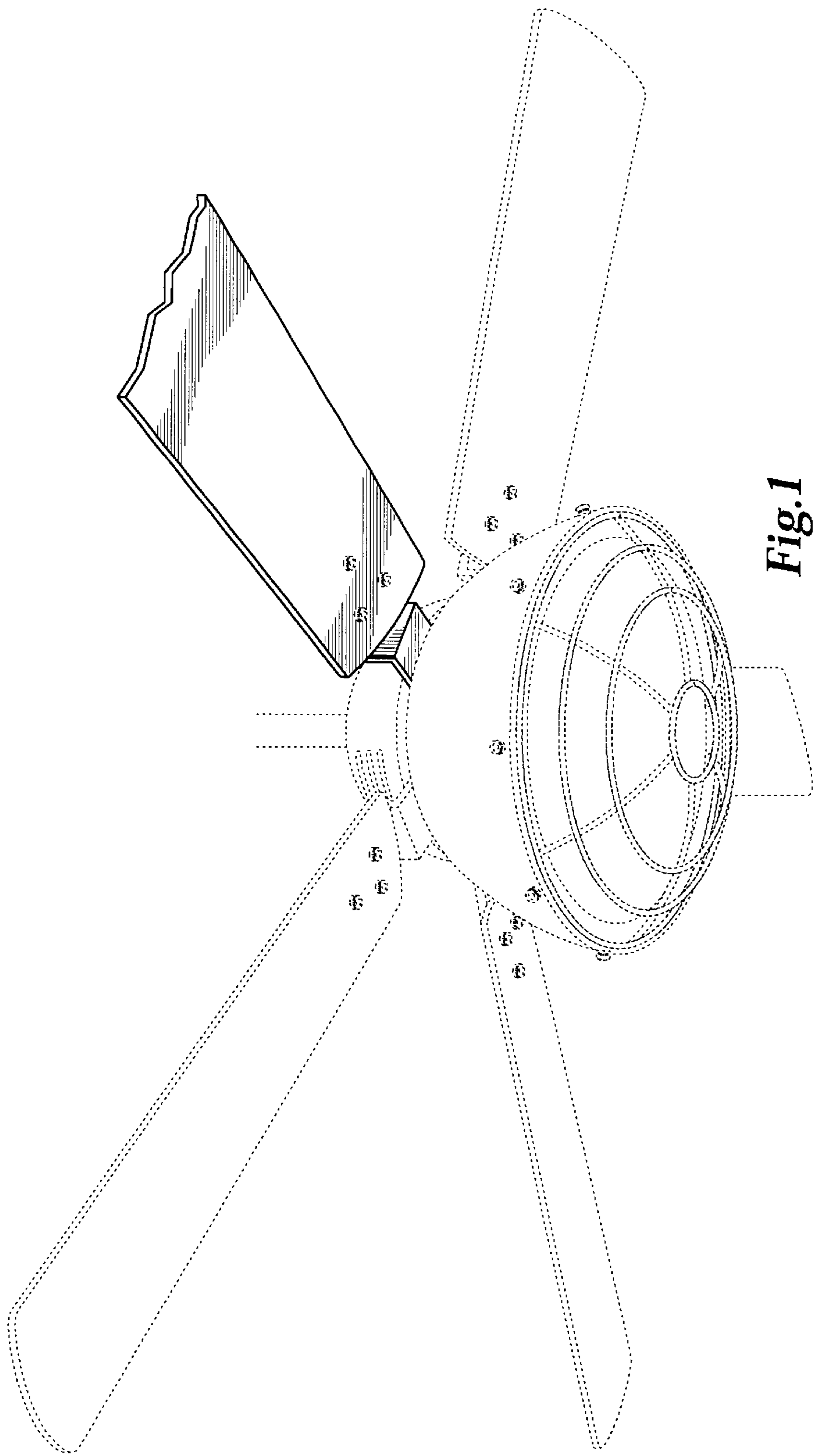
FIG. 10 is an enlarged right elevation view of the ceiling fan blade assembly in accordance with my design.

The broken line showing of environmental structure in FIGS. 1–10 is for illustrative purposes only and forms no part of the claimed design.

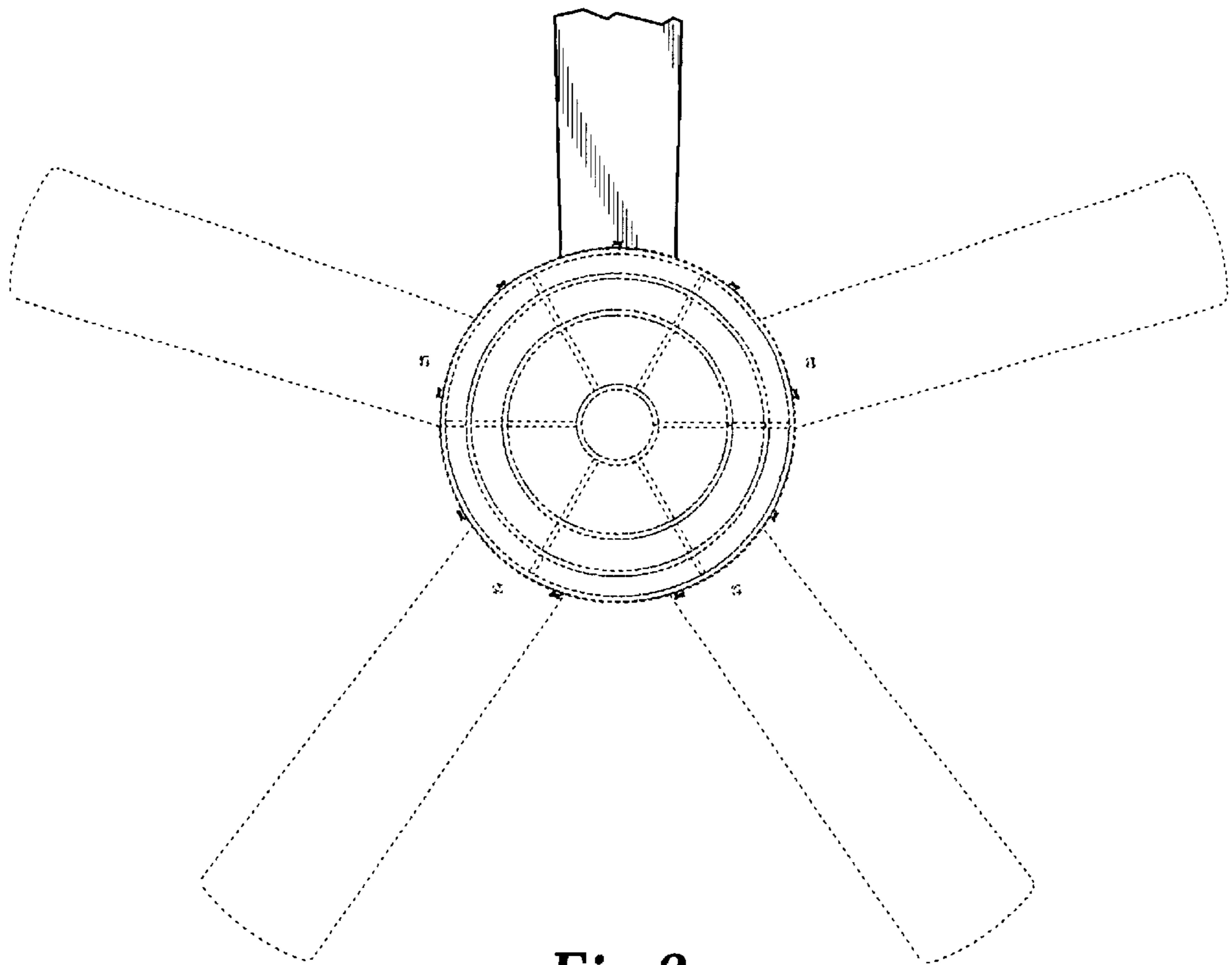
The blade is shown broken away in FIGS. 1, 3 and 6–10.

**1 Claim, 4 Drawing Sheets**

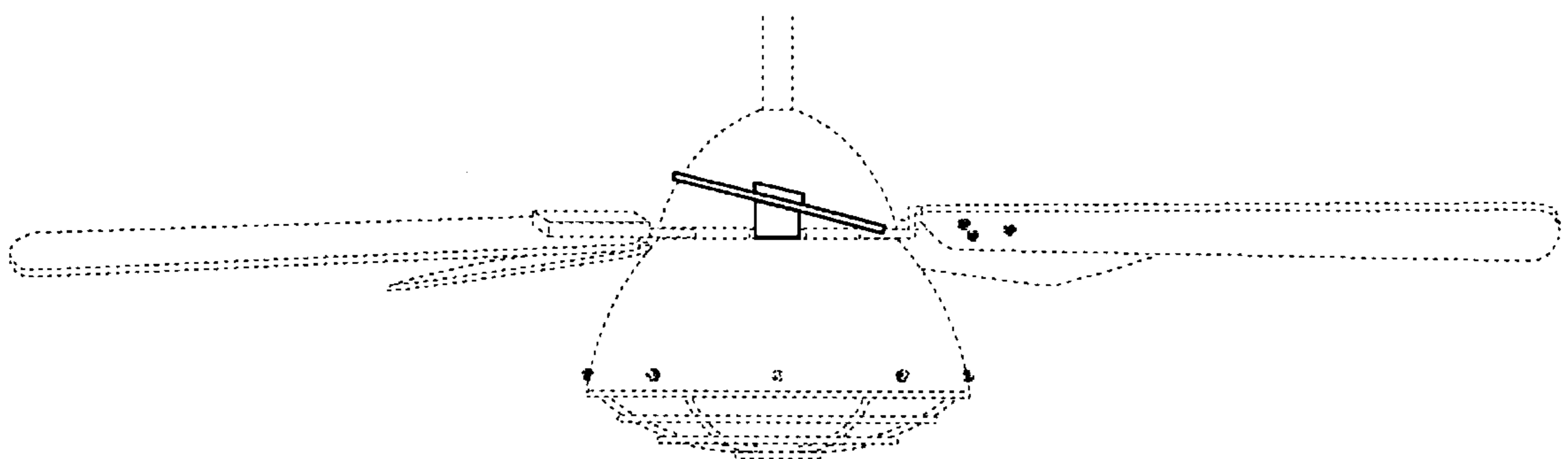




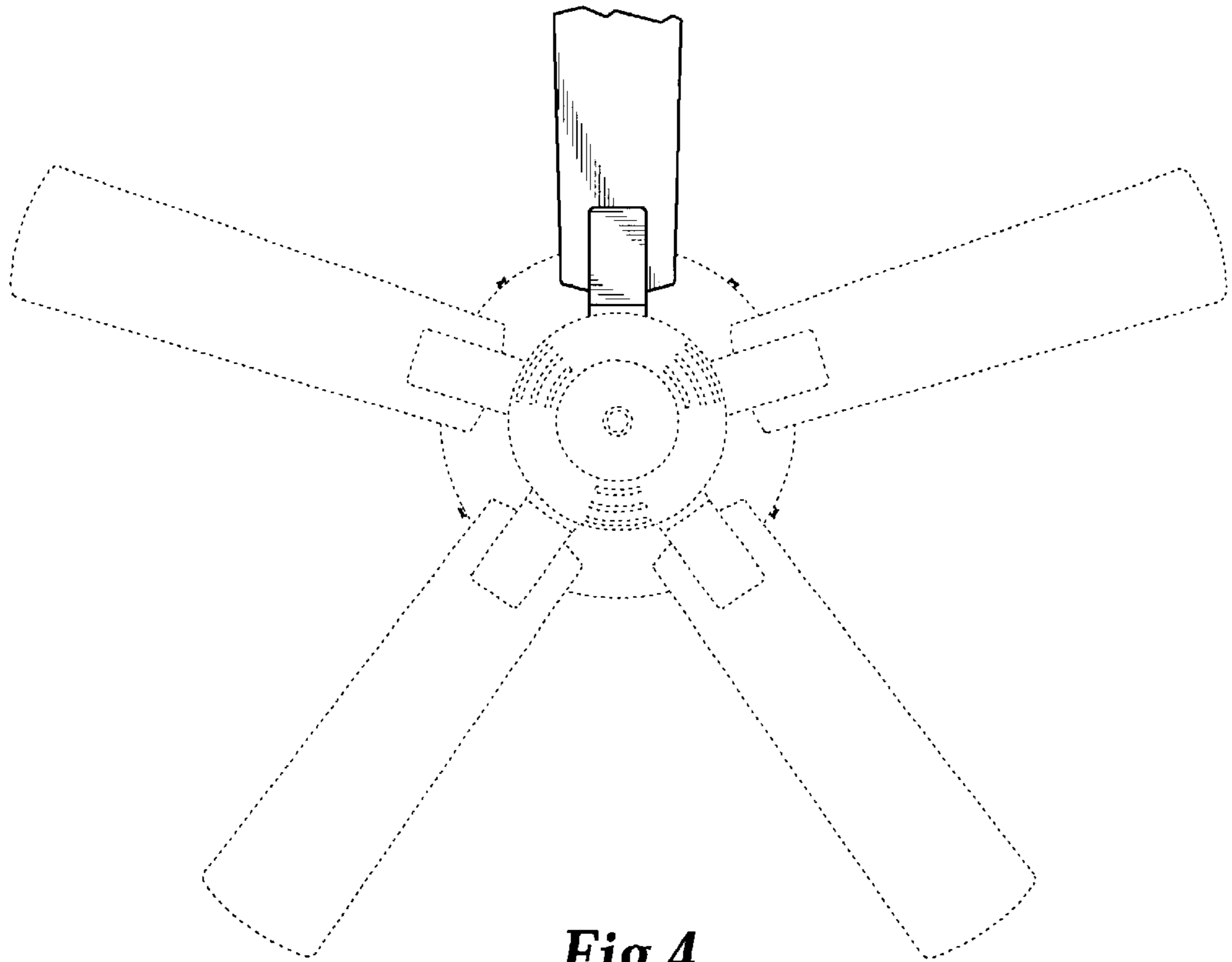
**Fig. 1**



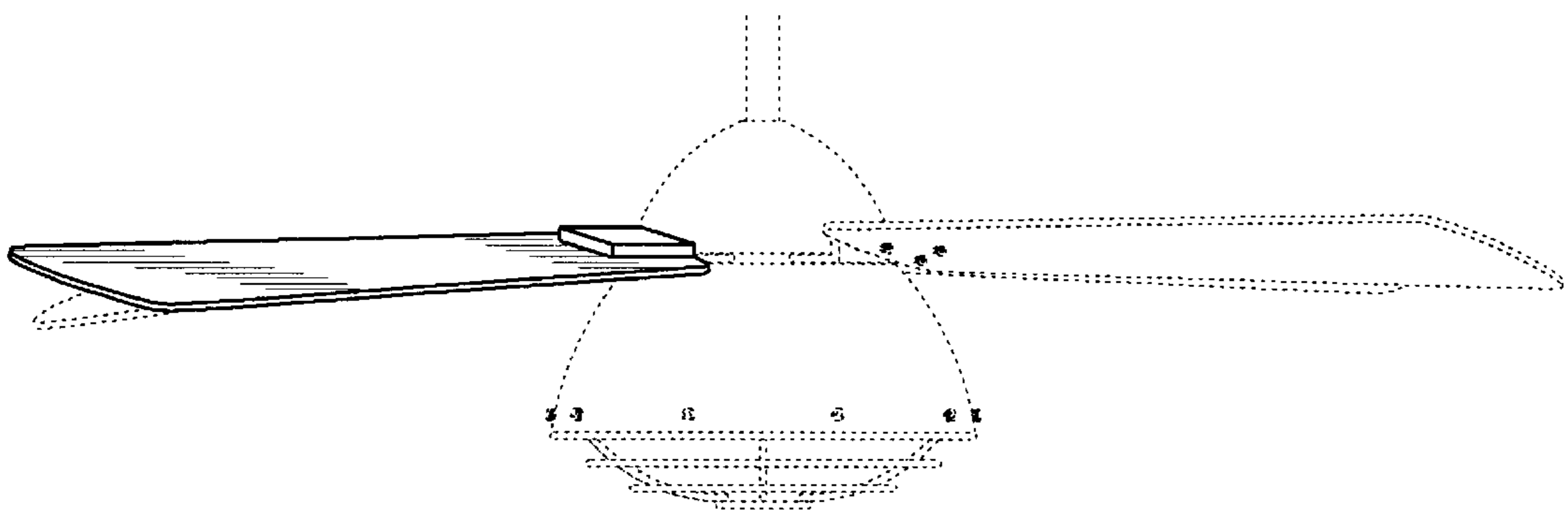
*Fig.2*



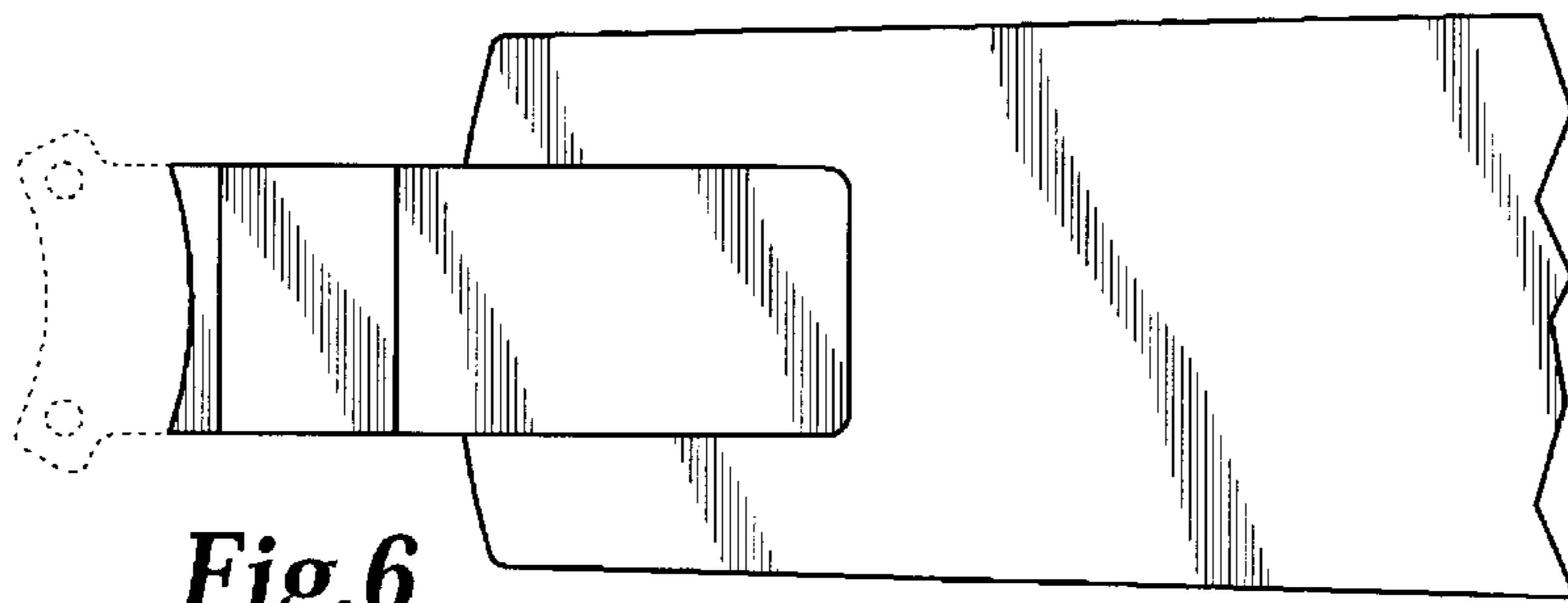
*Fig.3*



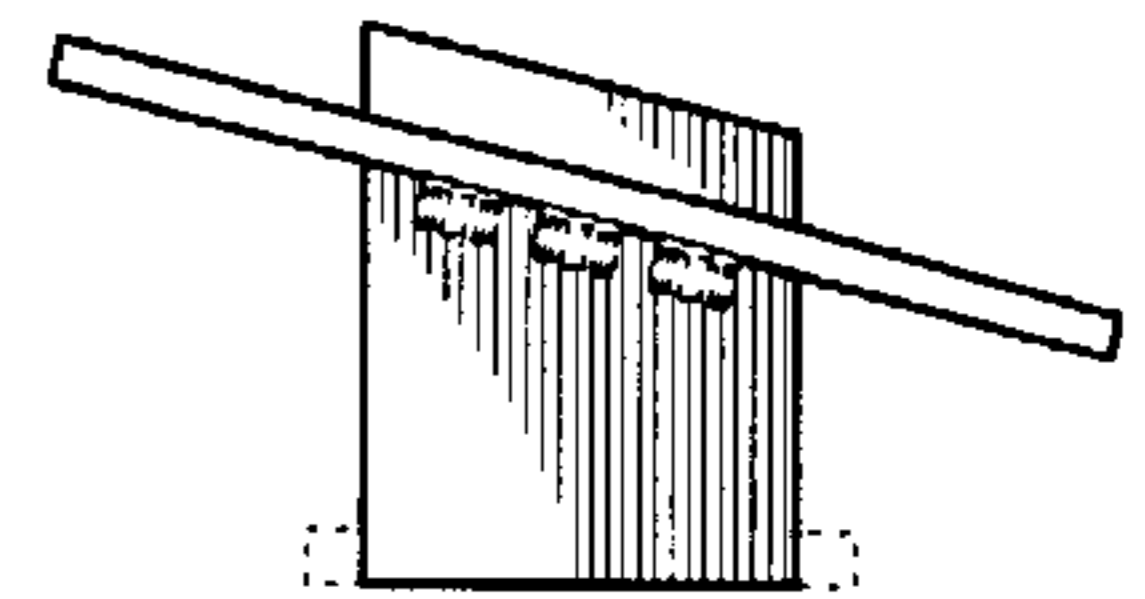
**Fig.4**



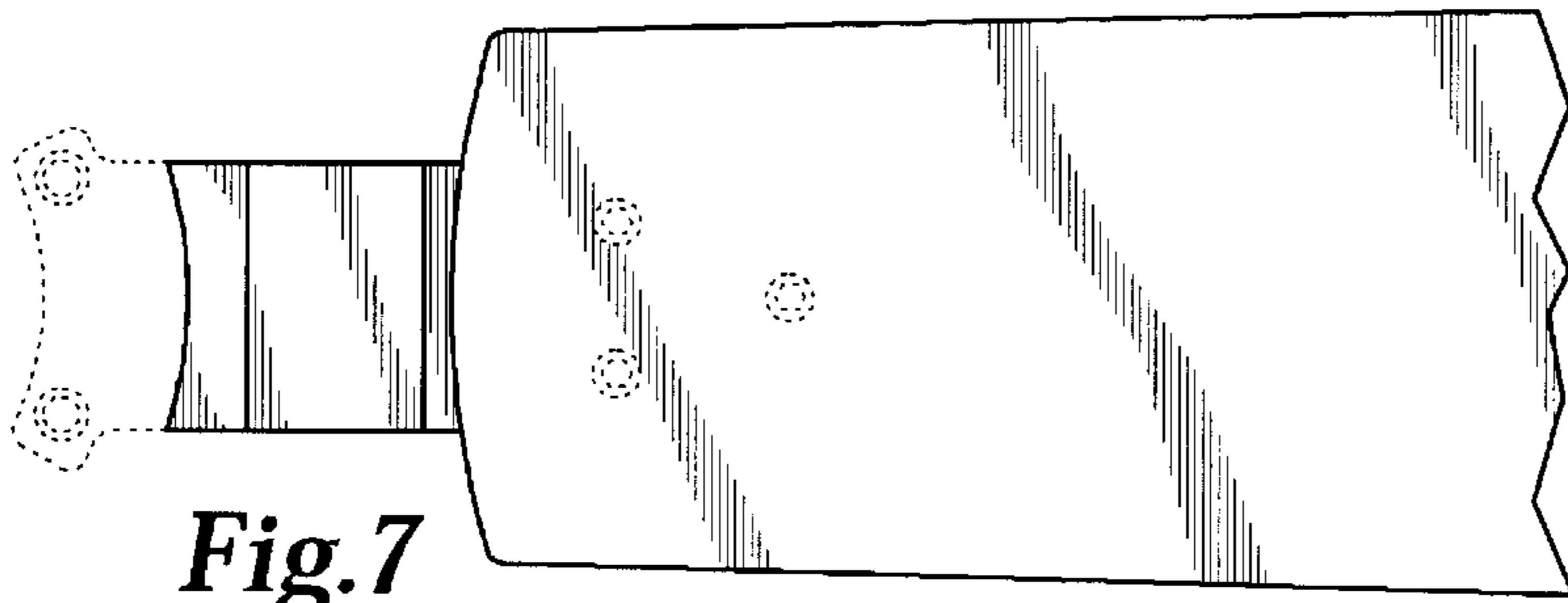
**Fig.5**



**Fig. 6**



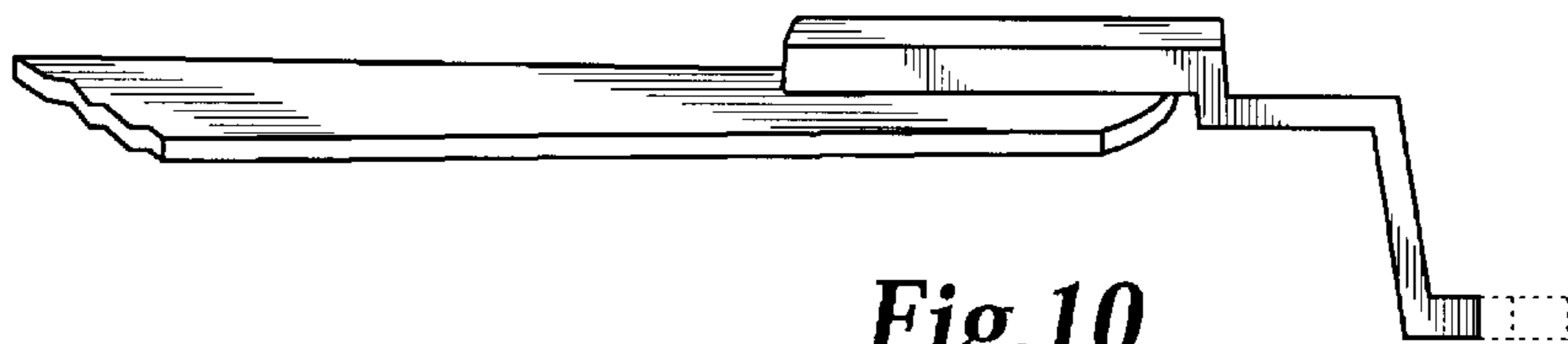
**Fig. 8**



**Fig. 7**



**Fig. 9**



**Fig. 10**