



US00D482116S

(12) **United States Design Patent**
Curtin

(10) **Patent No.:** **US D482,116 S**

(45) **Date of Patent:** **** Nov. 11, 2003**

(54) **CEILING FAN BLADE IRON**

(75) Inventor: **Brett Curtin**, Phoenix, AZ (US)

(73) Assignee: **Craftmade International, Inc.**,
Coppell, TX (US)

(**) Term: **14 Years**

(21) Appl. No.: **29/173,815**

(22) Filed: **Jan. 7, 2003**

(51) **LOC (7) Cl.** **23-04**

(52) **U.S. Cl.** **D23/411**

(58) **Field of Search** D23/411, 377,
D23/379, 385; 416/5, 210 R

(56) **References Cited**

U.S. PATENT DOCUMENTS

D454,632 S * 3/2002 Huang D23/411

D456,891 S * 5/2002 Hsieh D23/411

* cited by examiner

Primary Examiner—Lisa Lichtenstein

(74) *Attorney, Agent, or Firm*—Haynes and Boone, LLP

(57) **CLAIM**

The ornamental design for ceiling fan blade iron, as shown and described.

DESCRIPTION

FIG. 1 is a bottom perspective view of the ceiling fan blade iron showing my design;

FIG. 2 is a side elevational view thereof;

FIG. 3 is an exterior end elevational view thereof;

FIG. 4 is an interior end elevational view thereof;

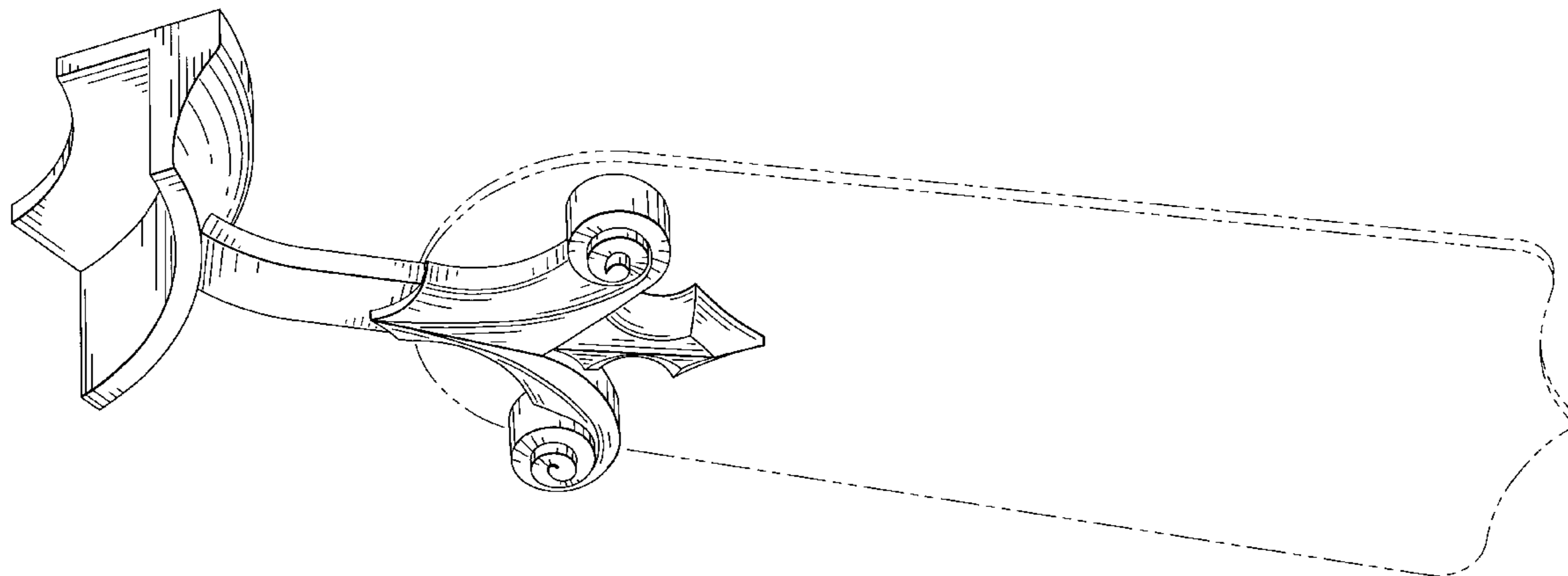
FIG. 5 is a side elevational view thereof;

FIG. 6 is a top plan view thereof; and,

FIG. 7 is a bottom plan view thereof.

The broken line showing of environmental structure in FIG. 1 is for illustrative purposes only and forms no part of the claimed design.

1 Claim, 3 Drawing Sheets



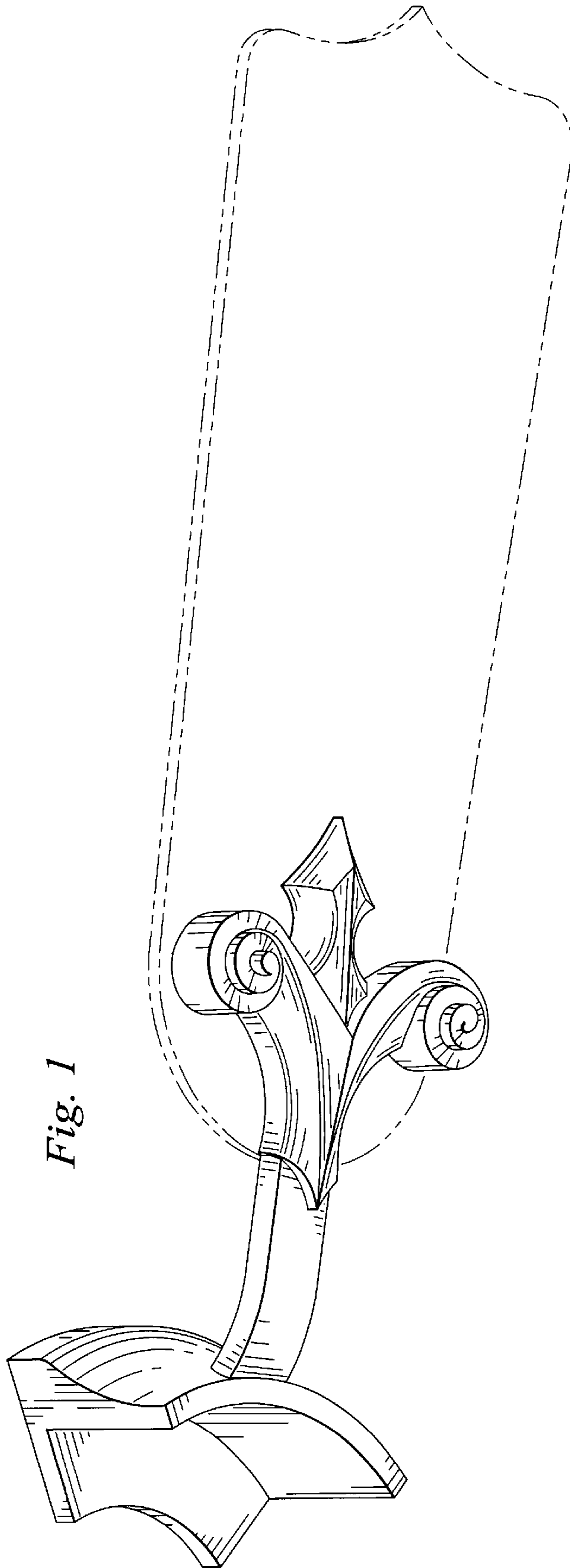


Fig. 1

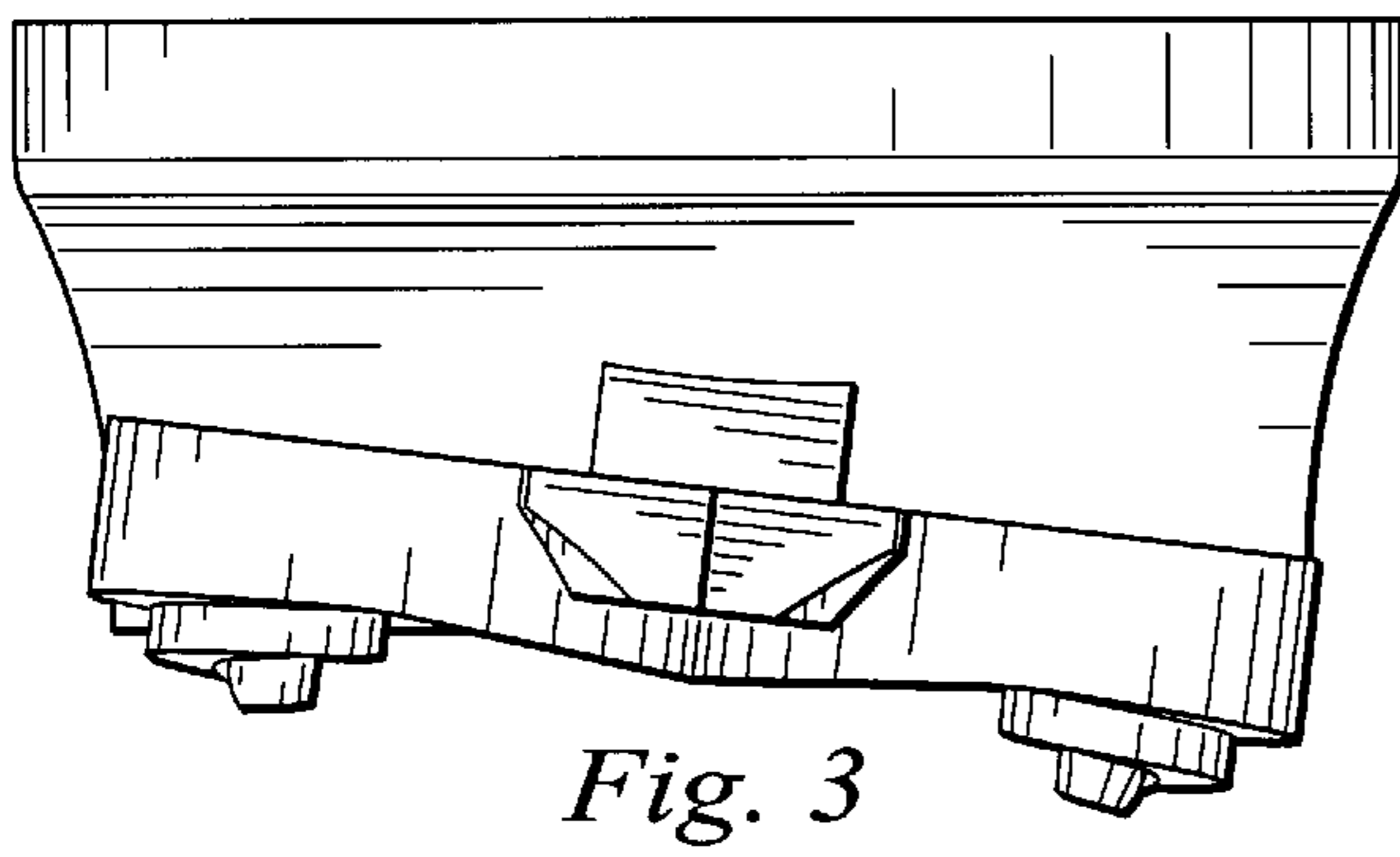
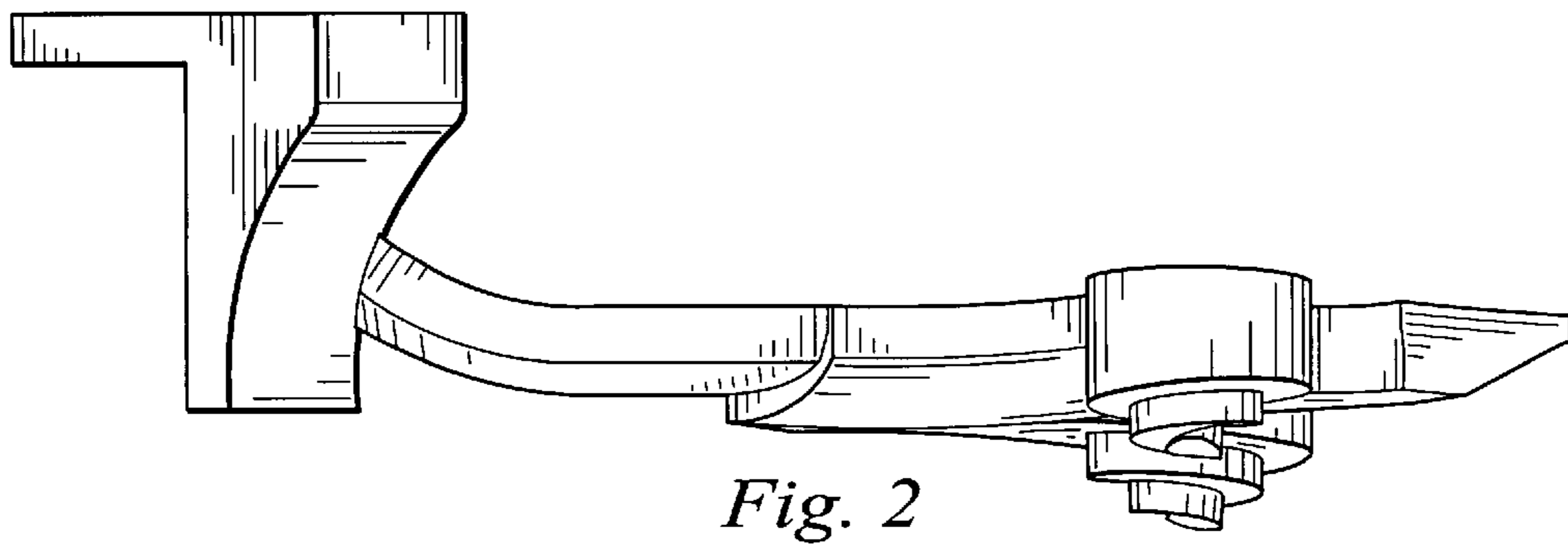
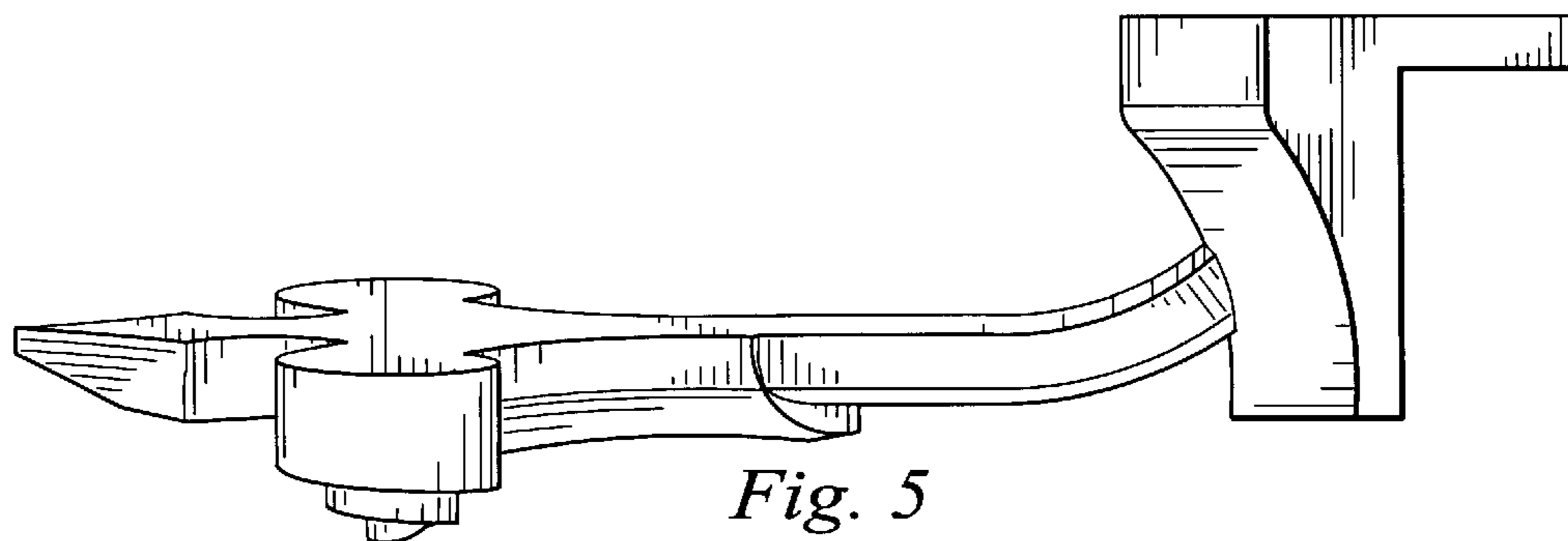
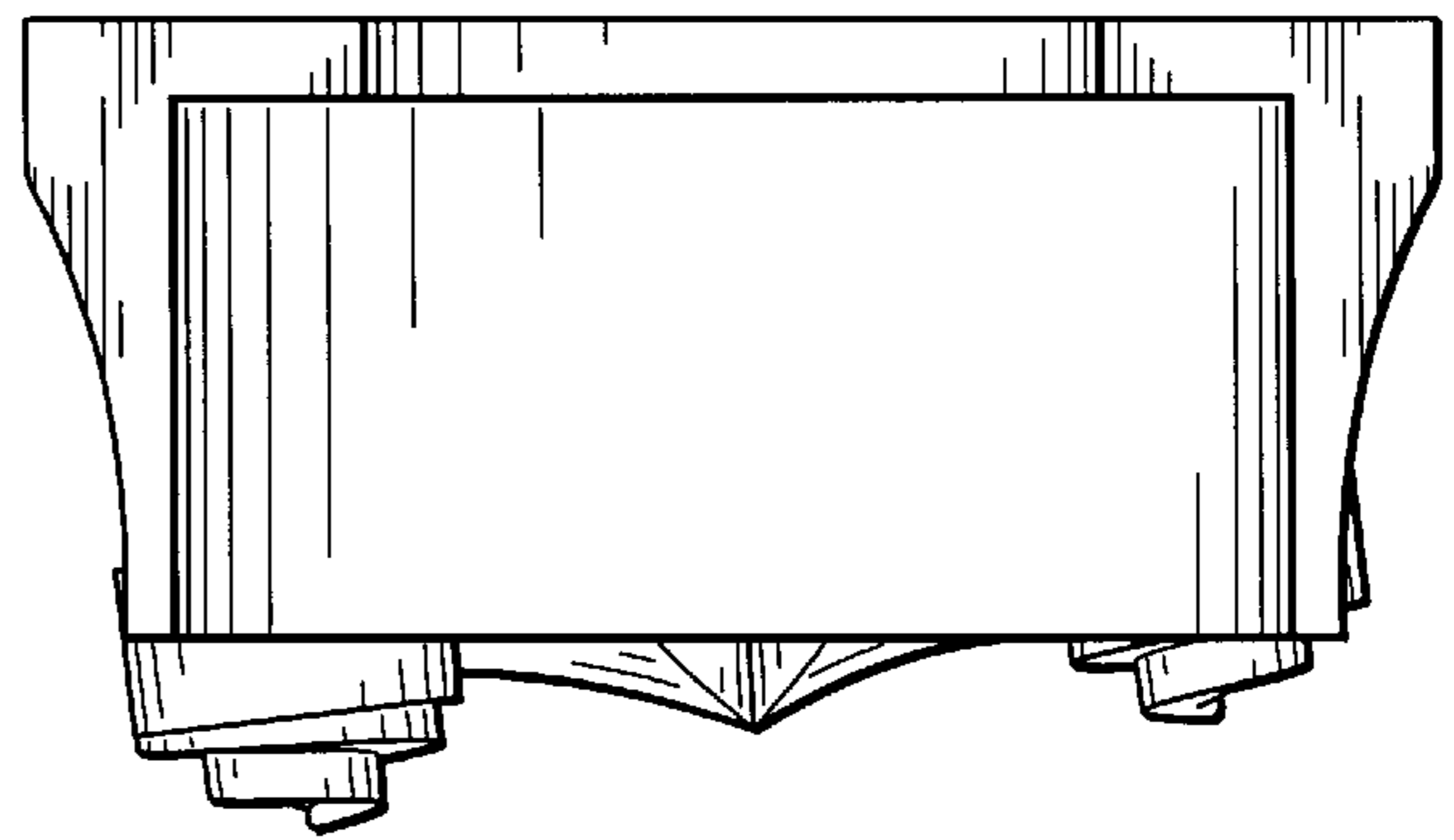


Fig. 4



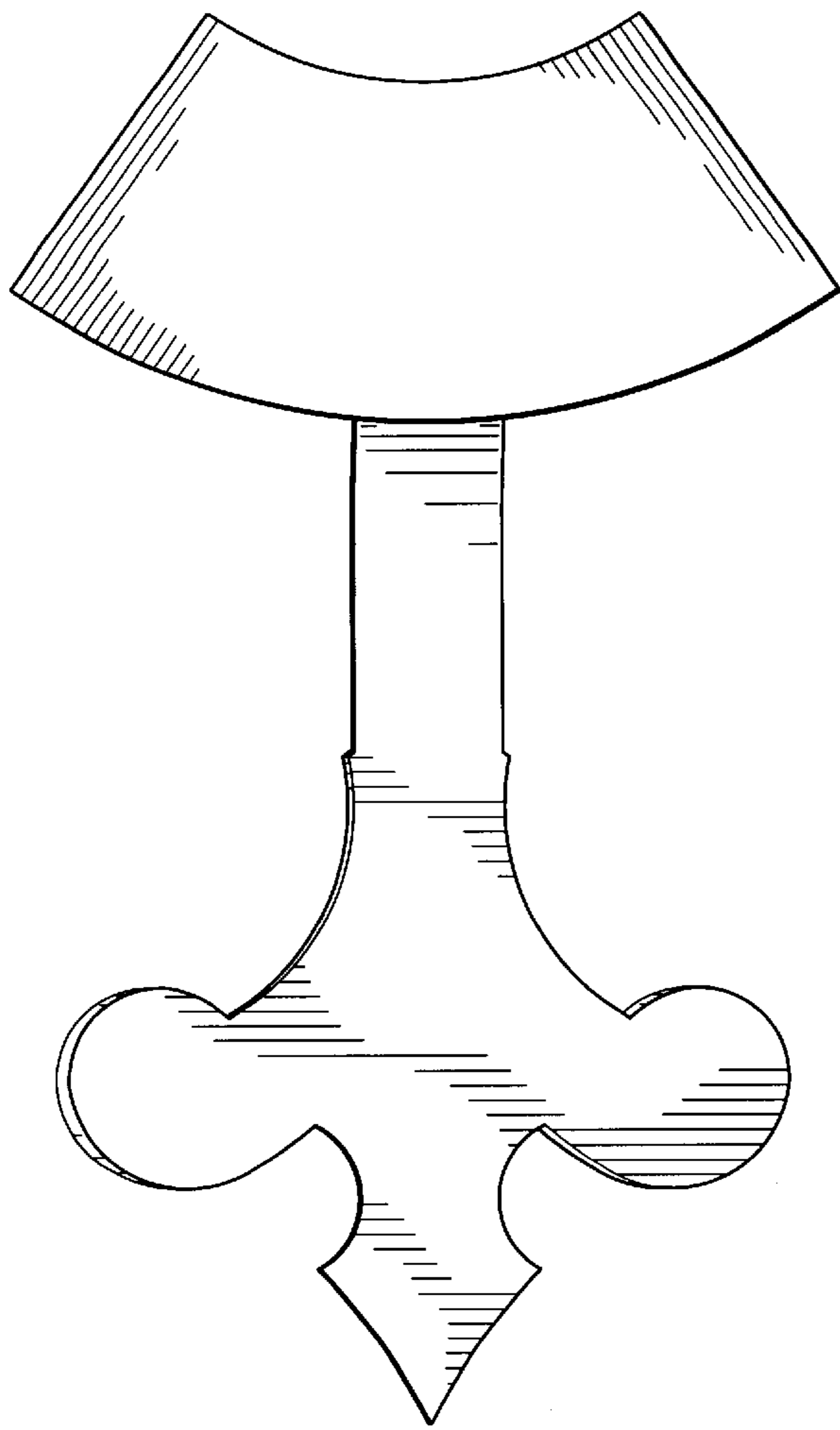


Fig. 6

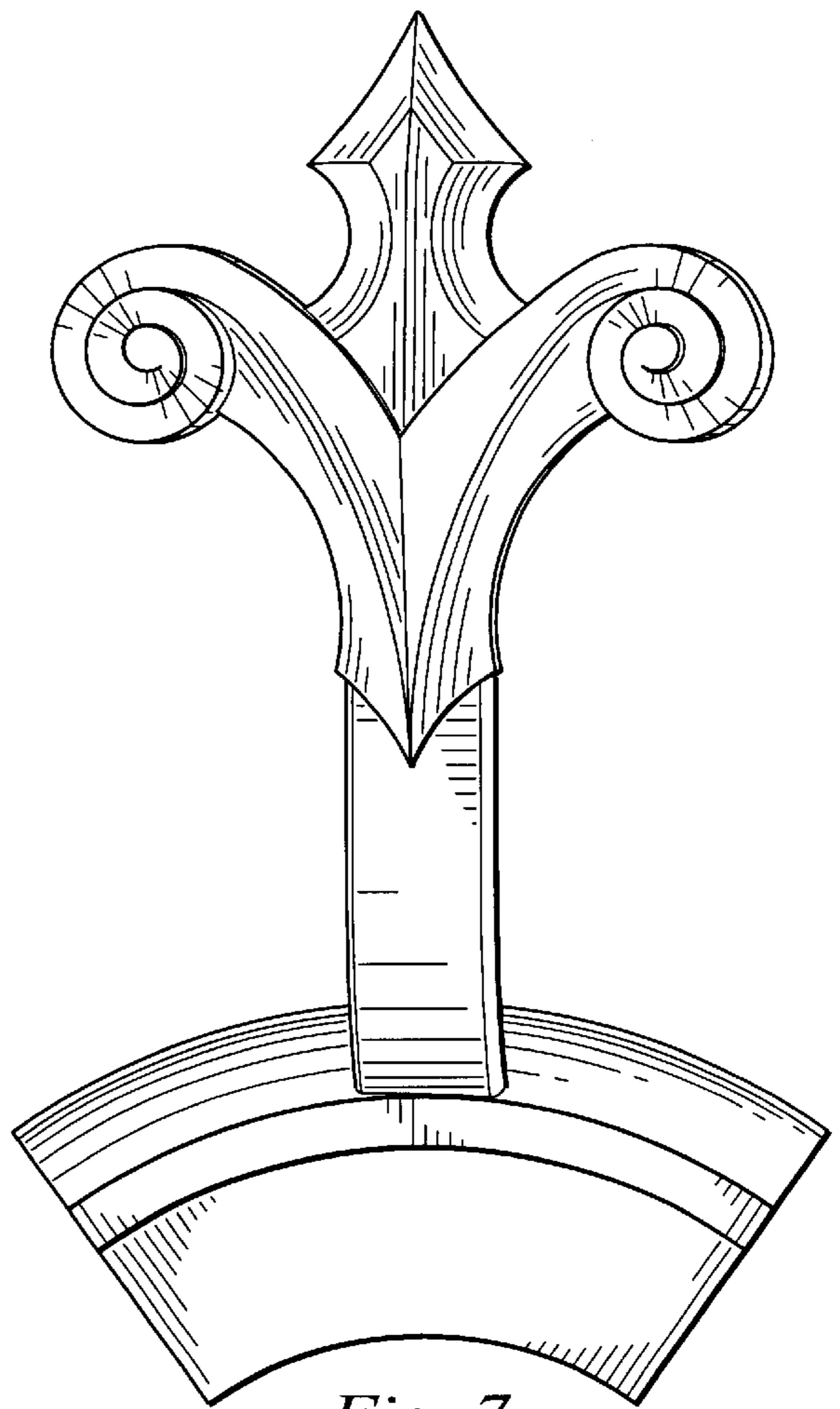


Fig. 7