



US00D482115S

(12) **United States Design Patent**
Chen et al.

(10) **Patent No.:** **US D482,115 S**

(45) **Date of Patent:** **** Nov. 11, 2003**

(54) **SECURING STRUCTURE OF FAN FRAME**

D461,238 S * 8/2002 Horng D23/411
6,504,716 B2 * 1/2003 Huang et al. 361/695

(75) Inventors: **Ying-Chi Chen**, Taoyuan (TW);
Te-Tsai Chuang, Taoyuan (TW);
Kuo-Cheng Lin, Taoyuan (TW);
Wen-Shi Huang, Jungli (TW)

* cited by examiner

Primary Examiner—Lisa Lichtenstein
(74) *Attorney, Agent, or Firm*—Hoffman, Wasson & Gitler,
PC

(73) Assignee: **Delta Electronics Inc.**, Taiwan (CN)

(**) Term: **14 Years**

(57) **CLAIM**

The ornamental design for a securing structure of fan frame,
as shown and described herein.

(21) Appl. No.: **29/173,411**

(22) Filed: **Dec. 30, 2002**

DESCRIPTION

(51) **LOC (7) Cl.** **23-04**

(52) **U.S. Cl.** **D23/411**

(58) **Field of Search** D23/370, 377,
D23/379, 411; 361/695, 697; 165/122, 80.3,
121; 454/184

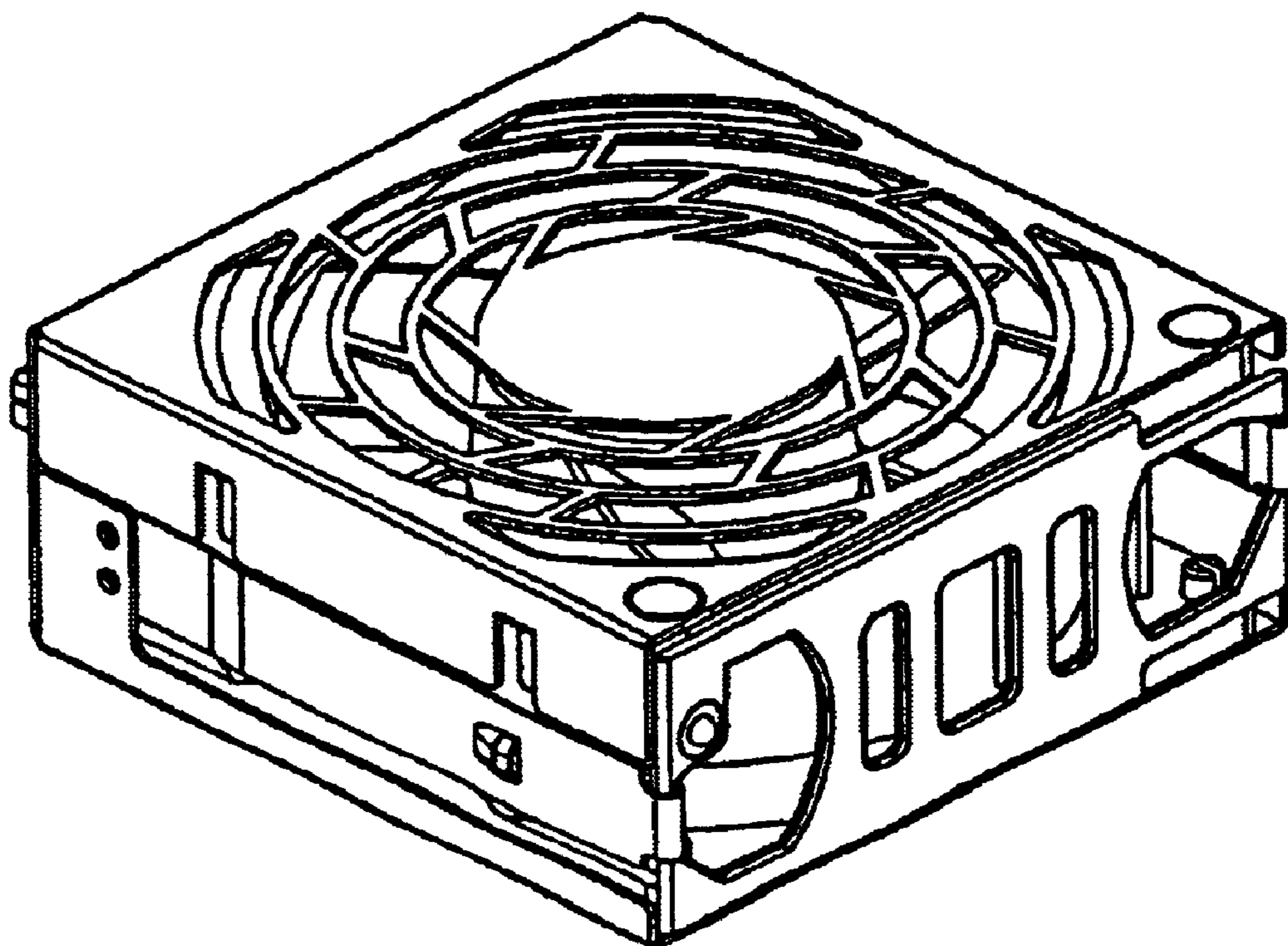
FIG. 1 is a perspective view of a securing structure of fan
frame showing our new design;
FIG. 2 is a right side view thereof;
FIG. 3 is a top view thereof;
FIG. 4 is a front view thereof;
FIG. 5 is a bottom view thereof;
FIG. 6 is a left side view thereof; and,
FIG. 7 is a rear view thereof.

(56) **References Cited**

U.S. PATENT DOCUMENTS

6,322,042 B1 * 11/2001 Nemec 248/694

1 Claim, 7 Drawing Sheets



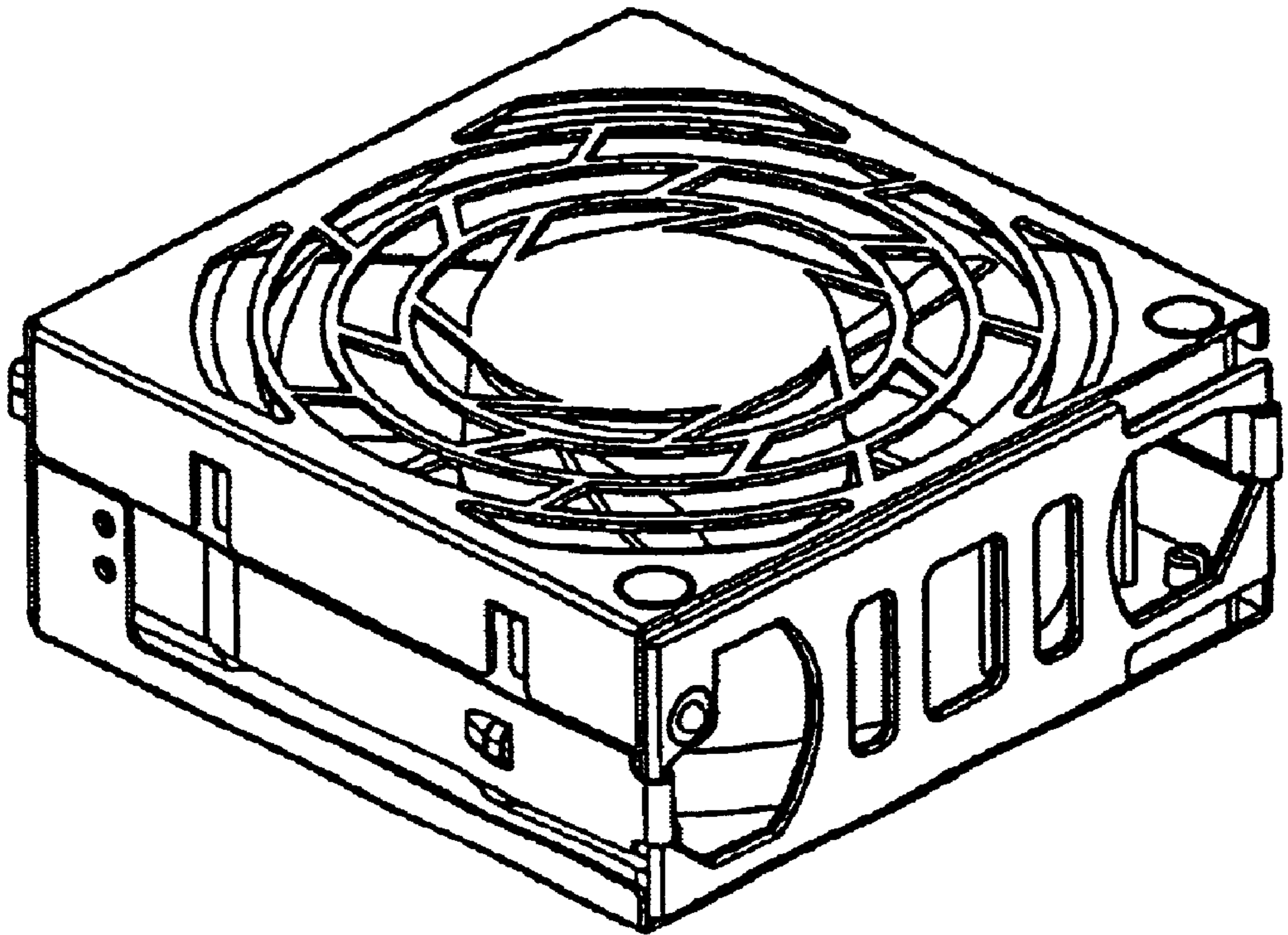


Fig. 1

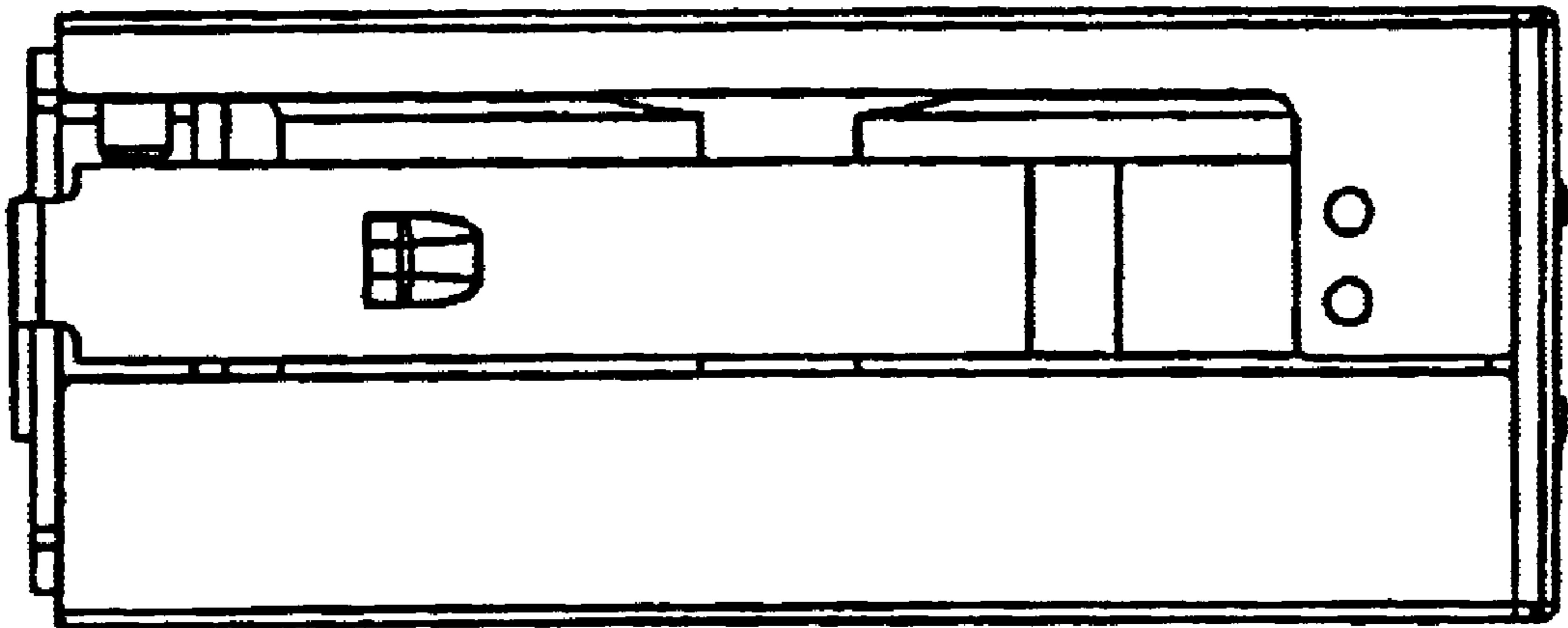


Fig. 2

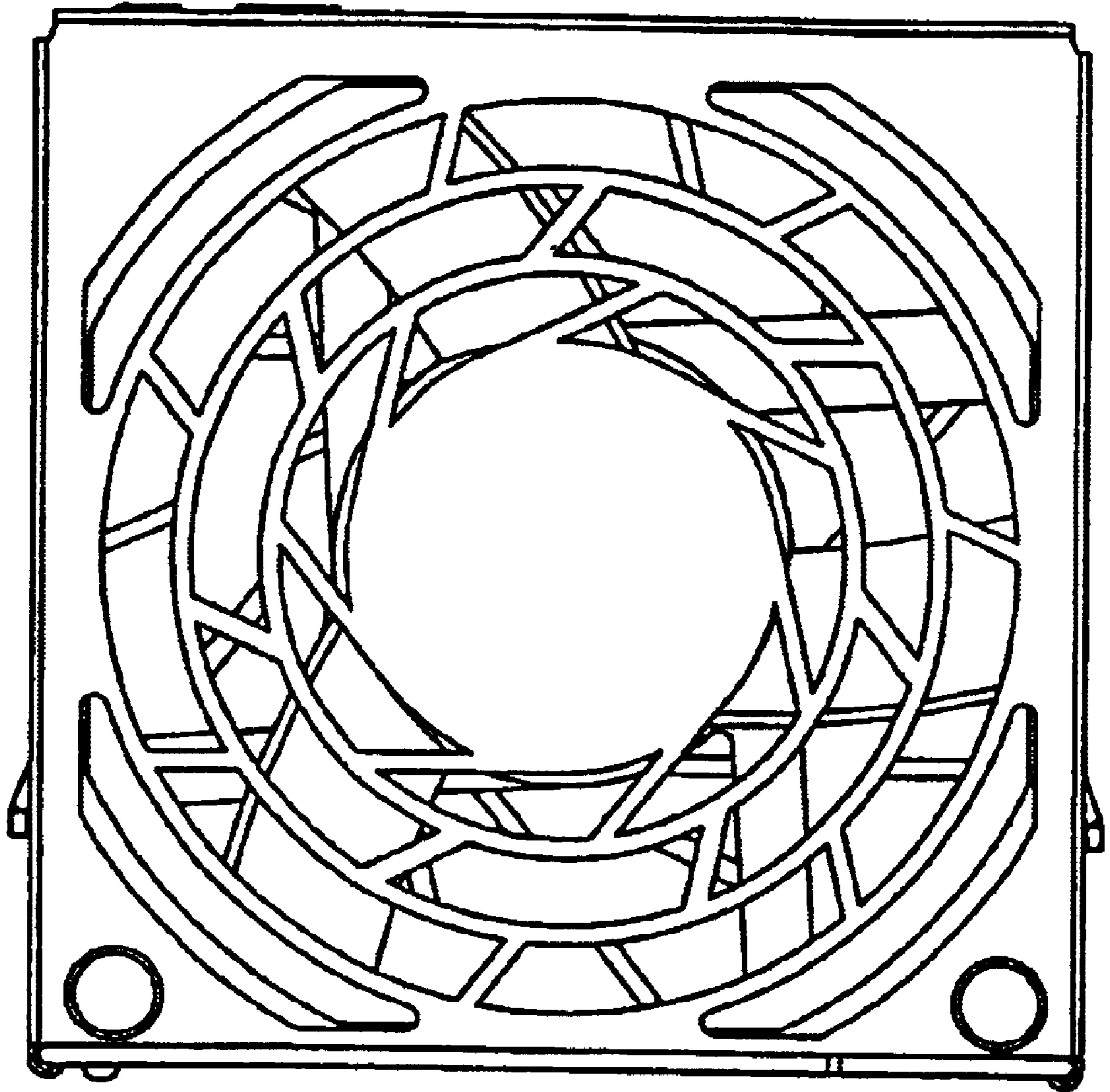


Fig. 3

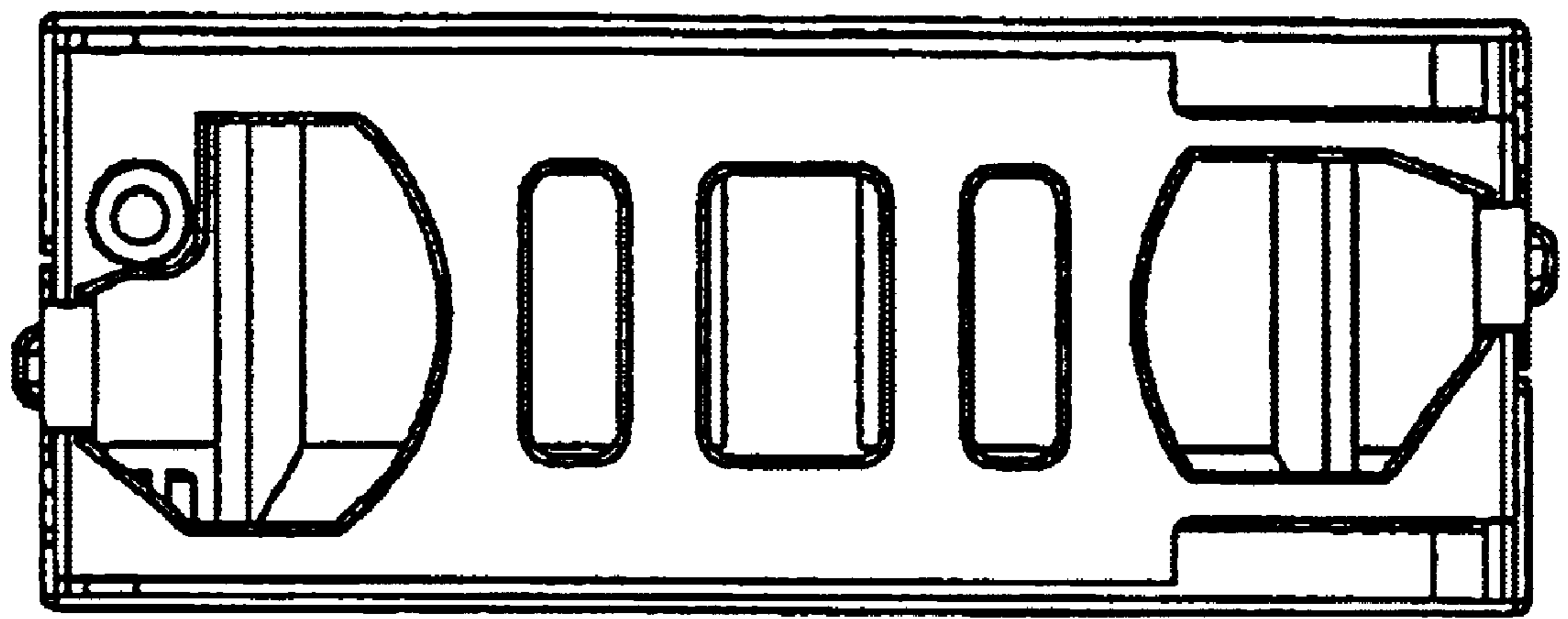


Fig. 4

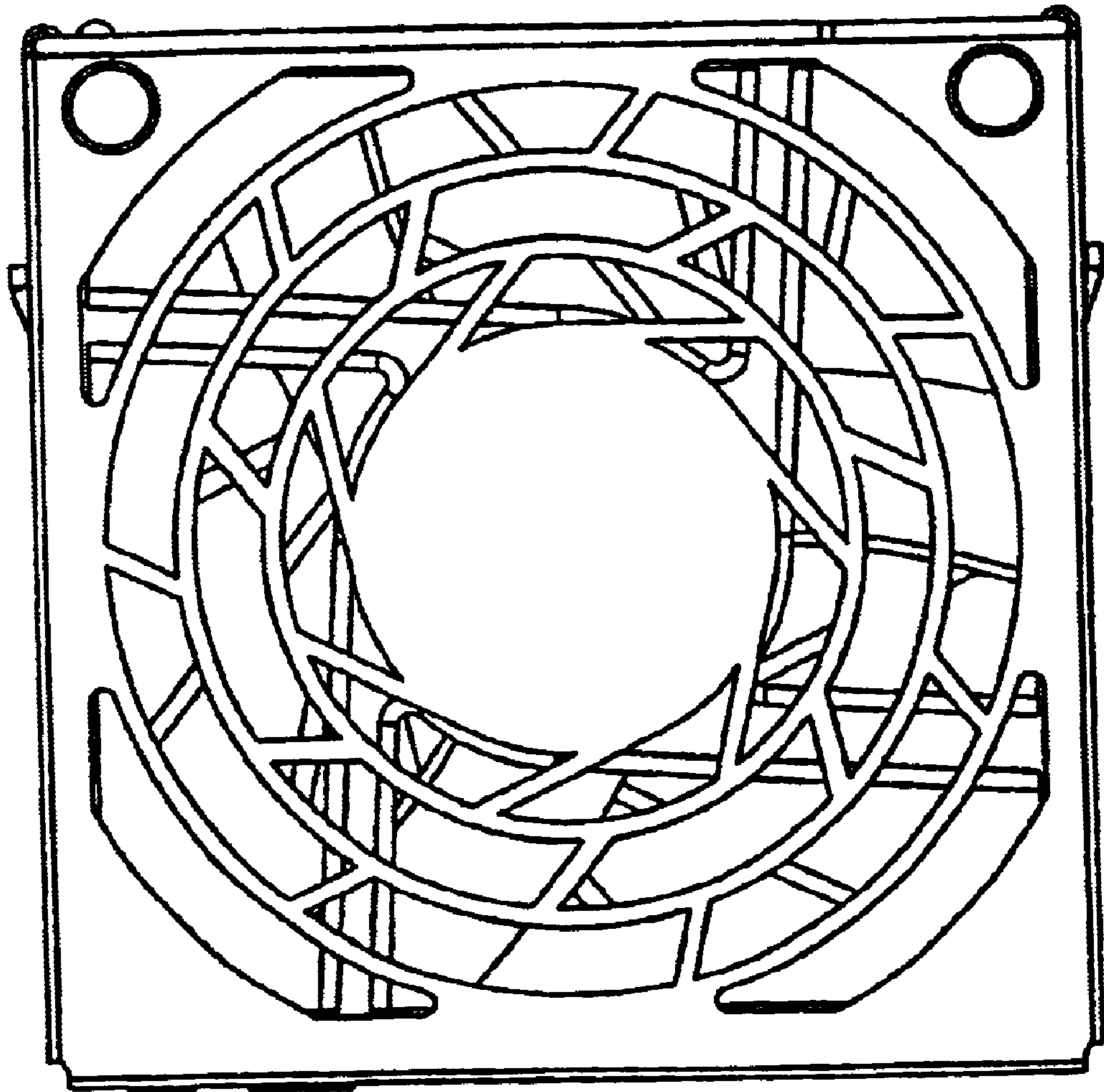


Fig. 5

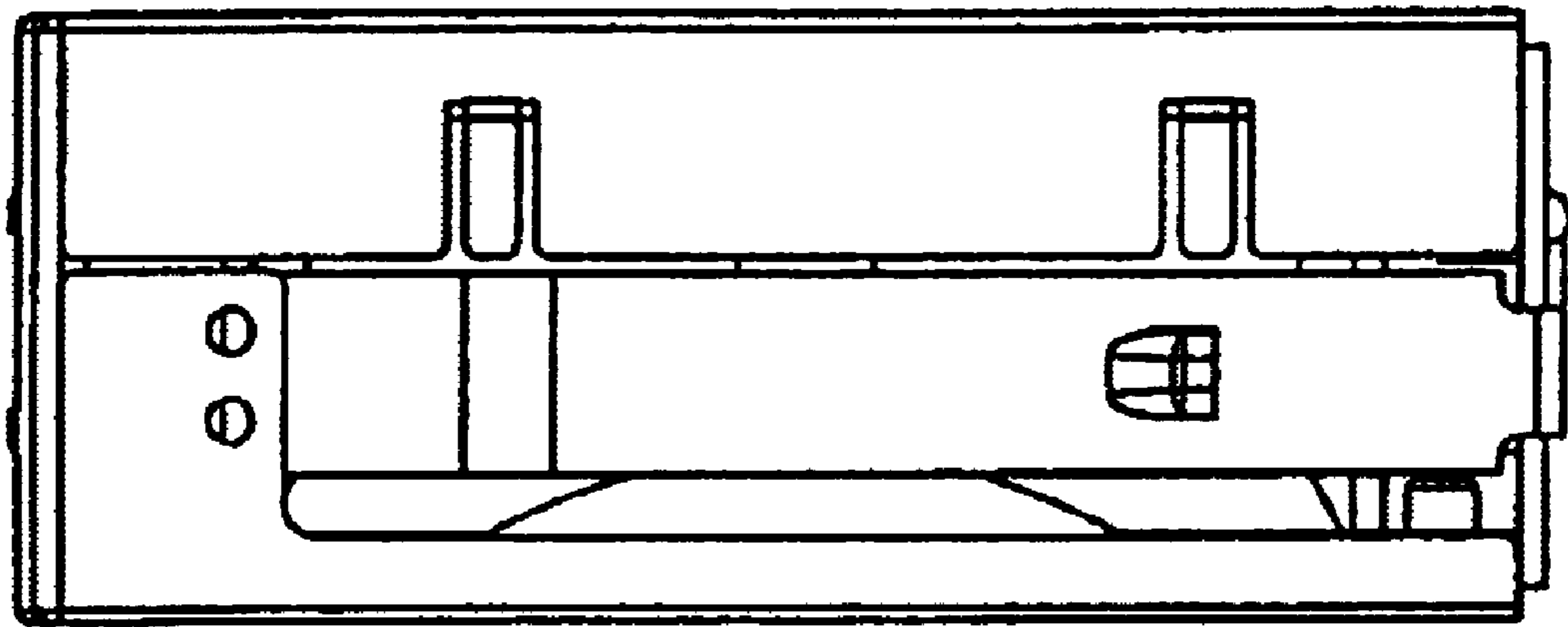


Fig. 6

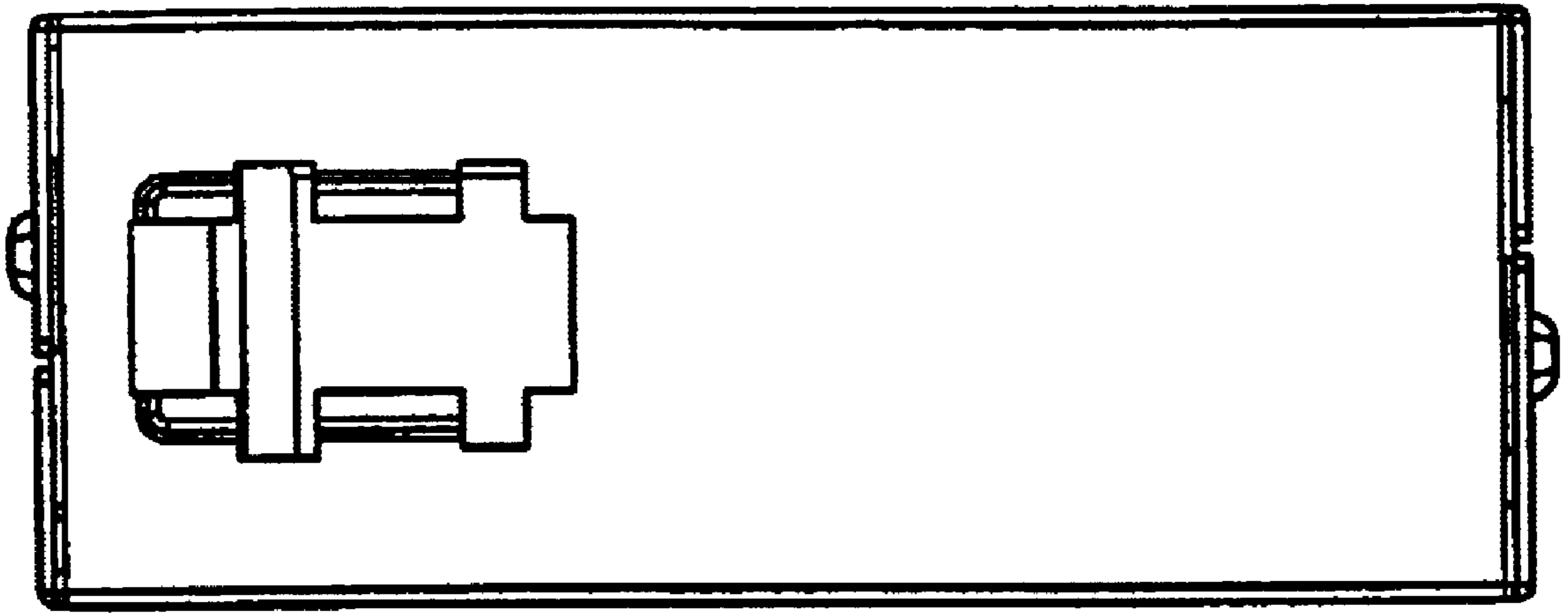


Fig. 7