



US00D482112S

(12) **United States Design Patent**
Miller

(10) **Patent No.:** **US D482,112 S**

(45) **Date of Patent:** **** Nov. 11, 2003**

(54) **DECORATIVE CEILING FAN**

(75) Inventor: **Michael D. R. Miller**, Fort Worth, TX
(US)

(73) Assignee: **Litex Industries, Inc.**, Grand Prairie,
TX (US)

(**) Term: **14 Years**

(21) Appl. No.: **29/164,018**

(22) Filed: **Jul. 17, 2002**

(51) **LOC (7) Cl.** **23-04**

(52) **U.S. Cl.** **D23/377**

(58) **Field of Search** D23/377, 379,
D23/385, 411; 416/5; 392/364

(56) **References Cited**

U.S. PATENT DOCUMENTS

- D409,742 S * 5/1999 Yang D23/377
- D426,879 S * 6/2000 Gajewski D23/411
- D465,841 S * 11/2002 Dye D23/411

* cited by examiner

Primary Examiner—Lisa Lichtenstein

(74) *Attorney, Agent, or Firm*—Chauza & Handley, L.L.P.

(57) **CLAIM**

The ornamental design for a decorative ceiling fan, as shown and described.

DESCRIPTION

FIG. 1 is a perspective view of a decorative ceiling fan showing my new design;

FIG. 2 is a bottom view thereof;

FIG. 3 is a top view thereof;

FIG. 4 is a side view thereof;

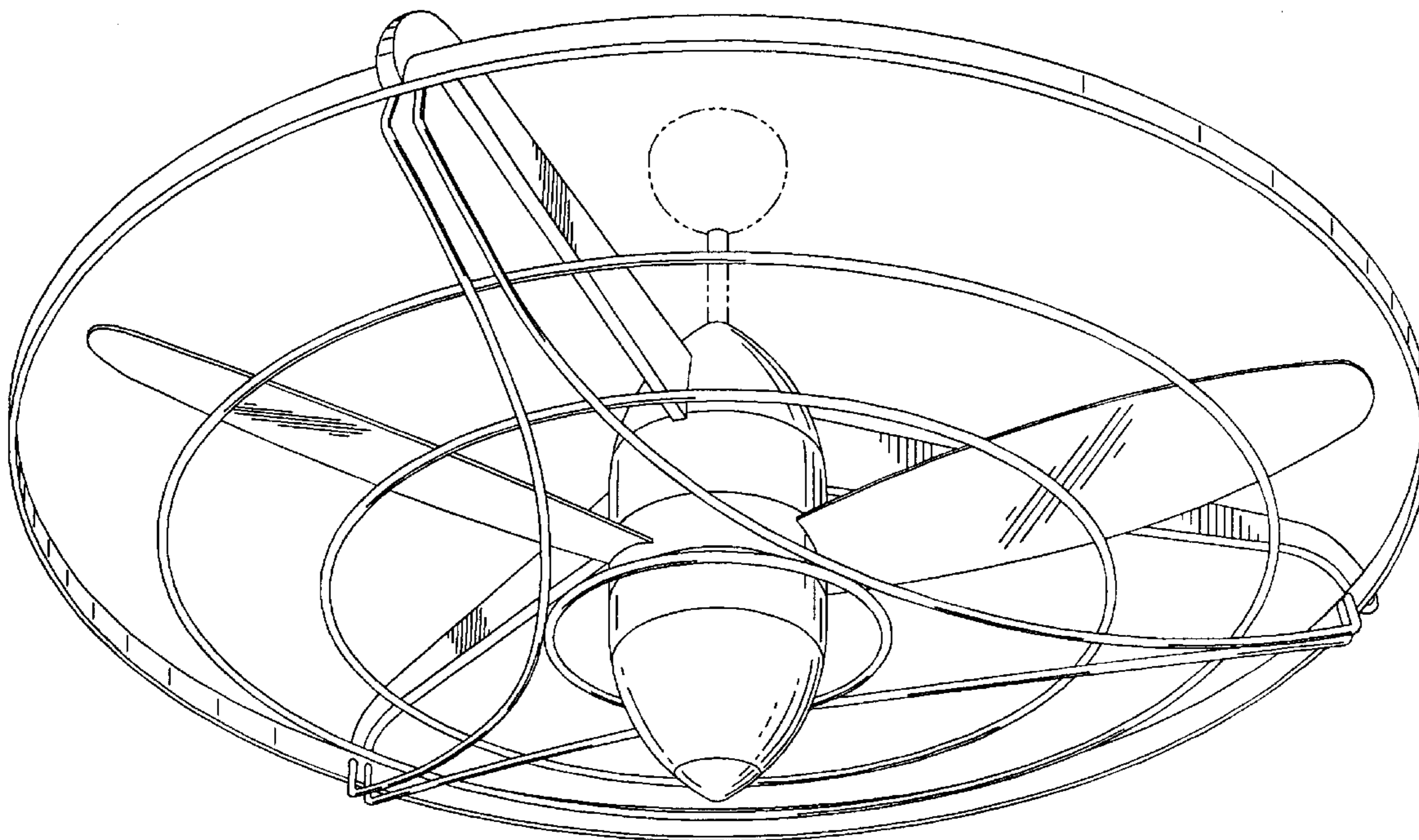
FIG. 5 is an opposite side view thereof;

FIG. 6 is a front view thereof; and,

FIG. 7 is a rear view thereof.

The broken line showing of environmental structure in FIGS. 4-7 is for illustrative purposes only and forms no part of the claimed design.

1 Claim, 5 Drawing Sheets



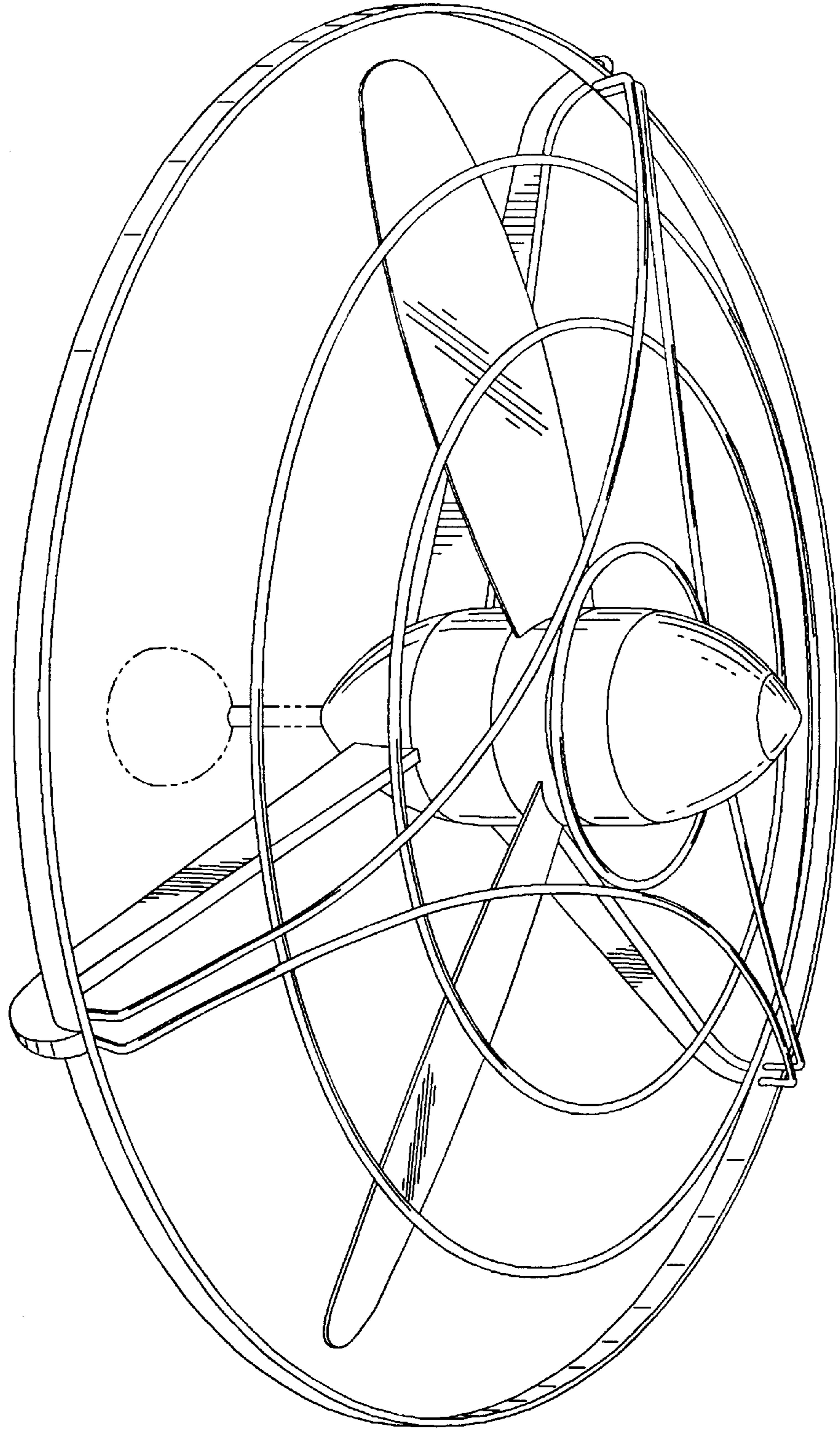


Fig. 1

Fig. 2

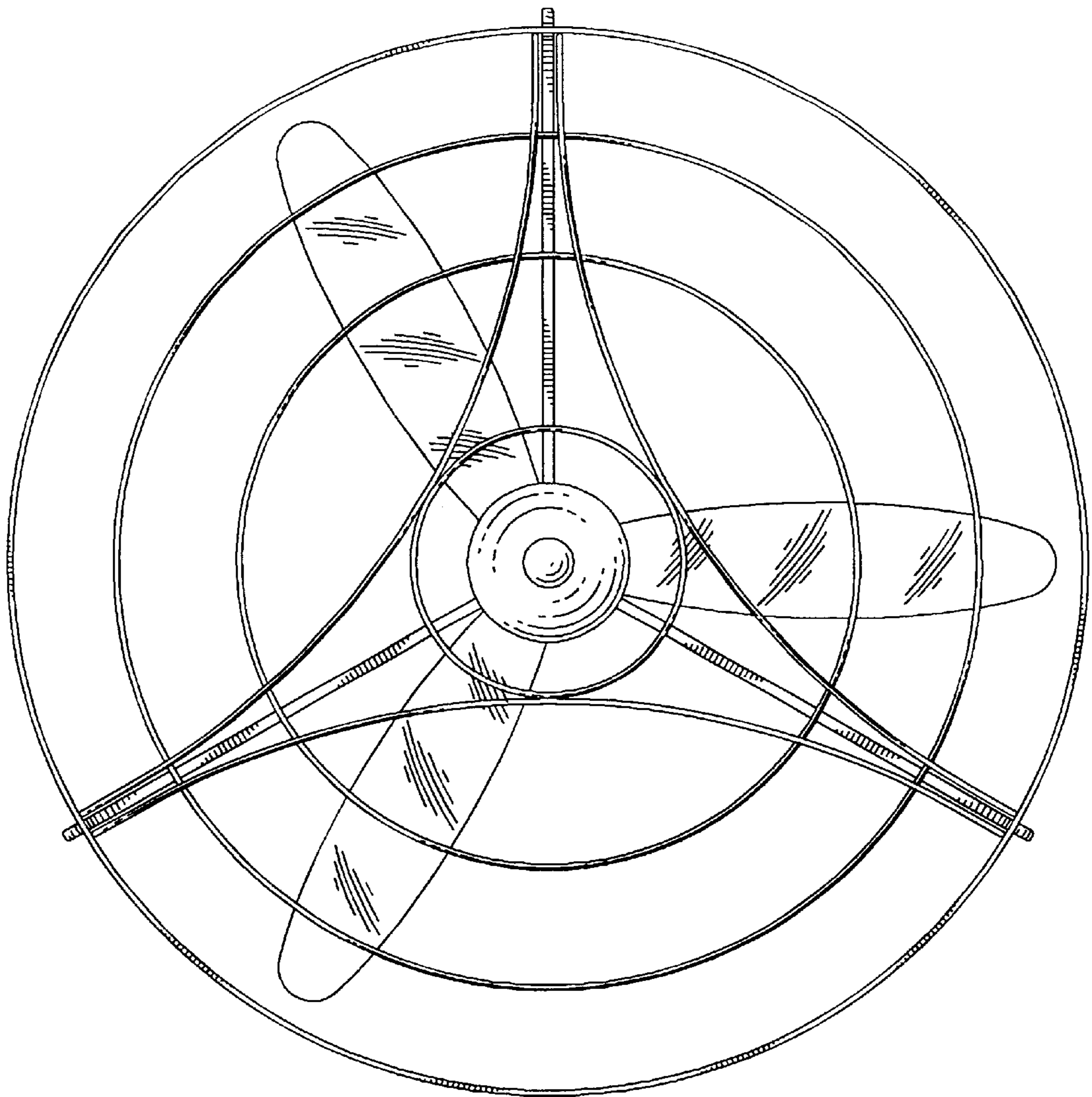


Fig. 3

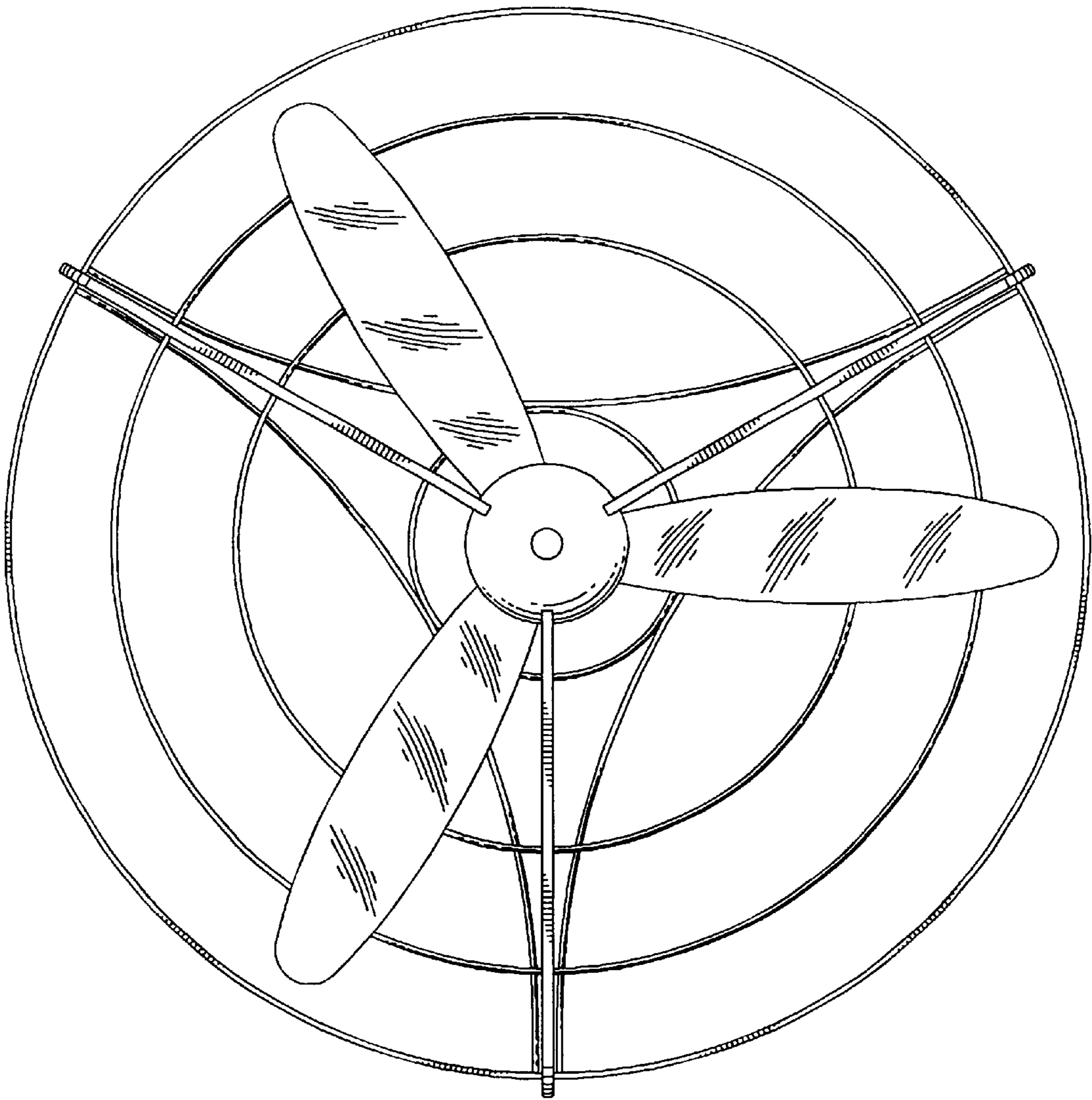


Fig. 4

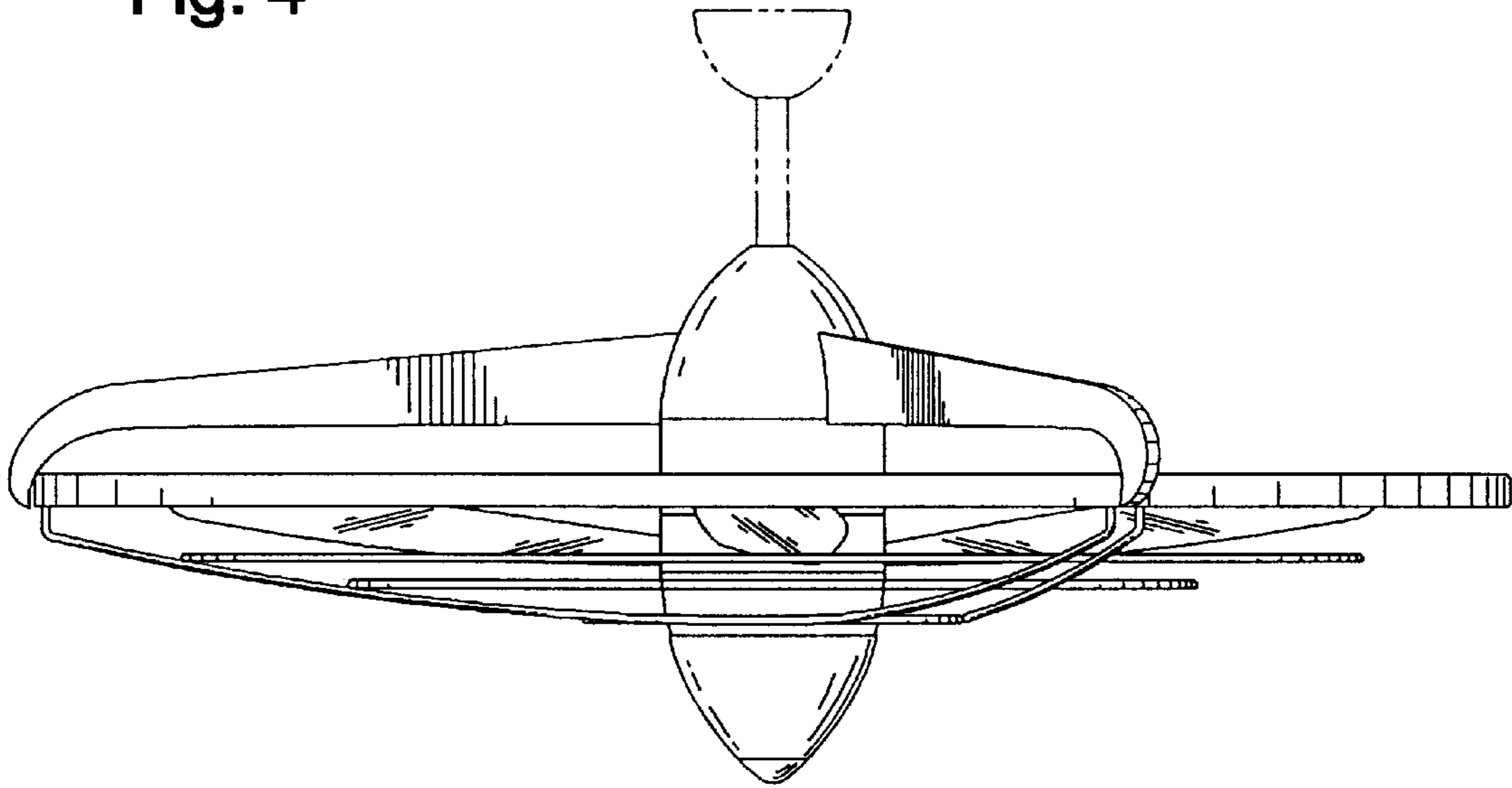


Fig. 5

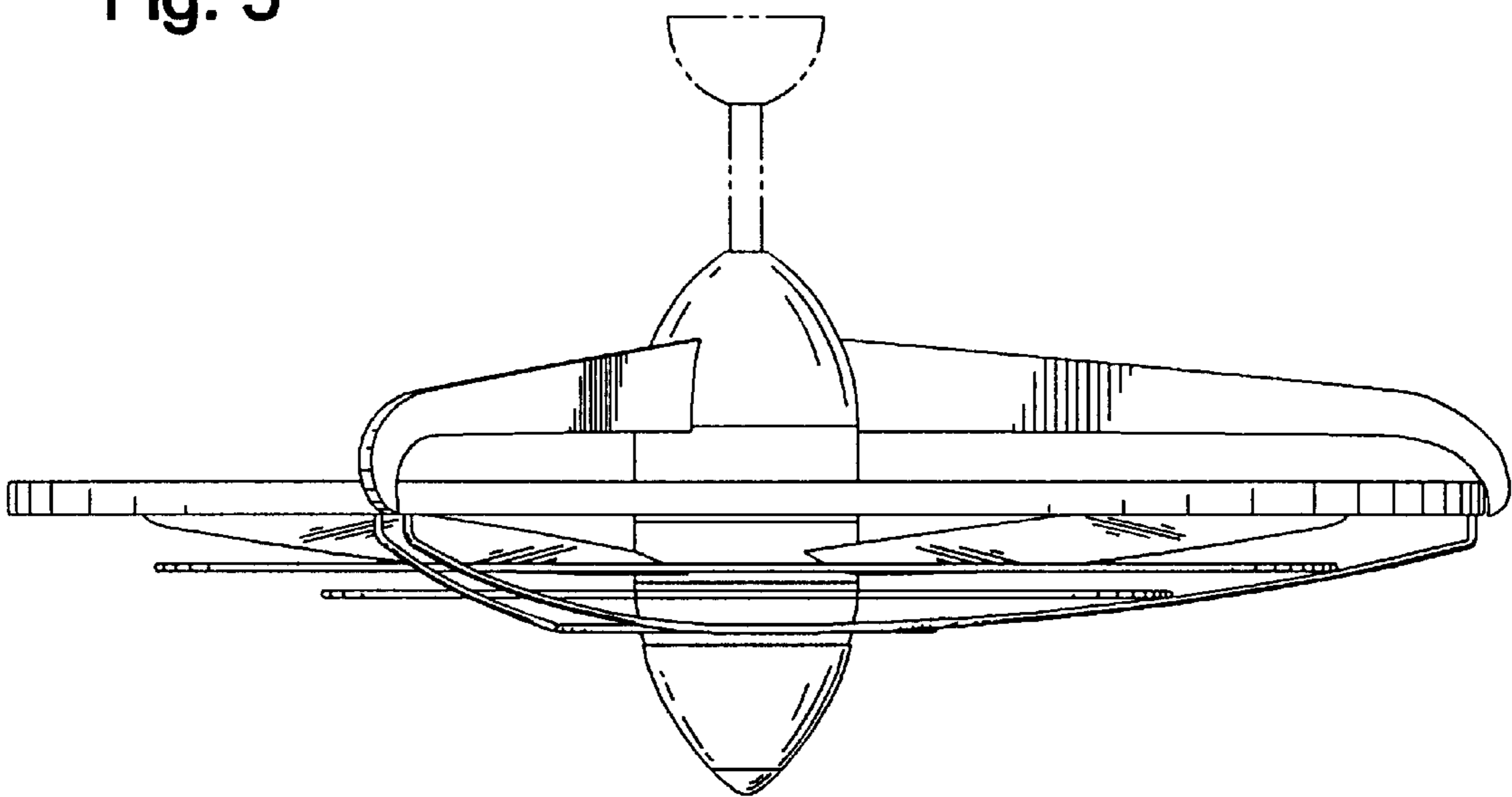


Fig. 6

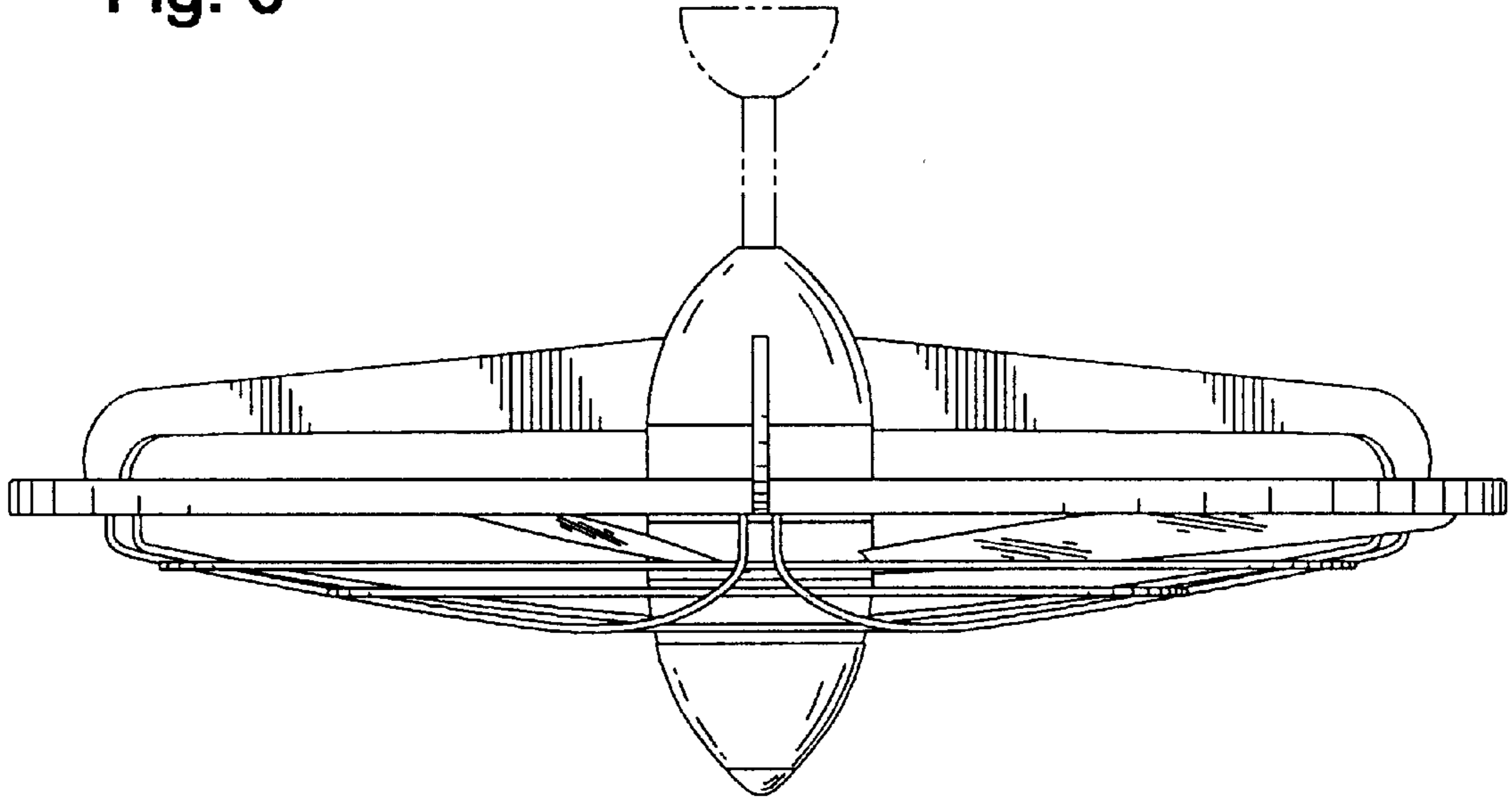


Fig. 7

