



US00D482108S

(12) **United States Design Patent**
Koike

(10) **Patent No.:** **US D482,108 S**

(45) **Date of Patent:** **** Nov. 11, 2003**

(54) **ION CONDITIONER**

(75) Inventor: **Takeo Koike**, Nara-ken (JP)

(73) Assignee: **Sharp Kabushiki Kaisha**, Osaka (JP)

(**) Term: **14 Years**

(21) Appl. No.: **29/176,076**

(22) Filed: **Feb. 19, 2003**

(30) **Foreign Application Priority Data**

Aug. 20, 2002 (JP) 2002-022141

(51) **LOC (7) Cl.** **23-04**

(52) **U.S. Cl.** **D23/355**; D23/364

(58) **Field of Search** D23/364, 365,
D23/366, 355; 261/DIG. 65; 55/497, 498;
239/58, 60; D6/300, 310, 314

(56) **References Cited**

U.S. PATENT DOCUMENTS

D305,703 S * 1/1990 Wang D6/314
D357,311 S * 4/1995 Yehl D23/364
D370,355 S * 6/1996 Kenney D6/314

D374,713 S * 10/1996 Ford et al. D23/364

D379,220 S * 5/1997 Ellwood D23/364

5,735,460 A * 4/1998 Eisenbraun 239/34

D407,809 S * 4/1999 Hammond D23/366

D439,058 S * 3/2001 Freiberg D6/314

* cited by examiner

Primary Examiner—Robin V. Taylor

(74) *Attorney, Agent, or Firm*—Nixon & Vanderhye

(57) **CLAIM**

The ornamental design for an “ion conditioner”, as shown and described.

DESCRIPTION

FIG. 1 is a top, front and left side perspective view of an ion conditioner according to my design;

FIG. 2 is a front elevational view thereof;

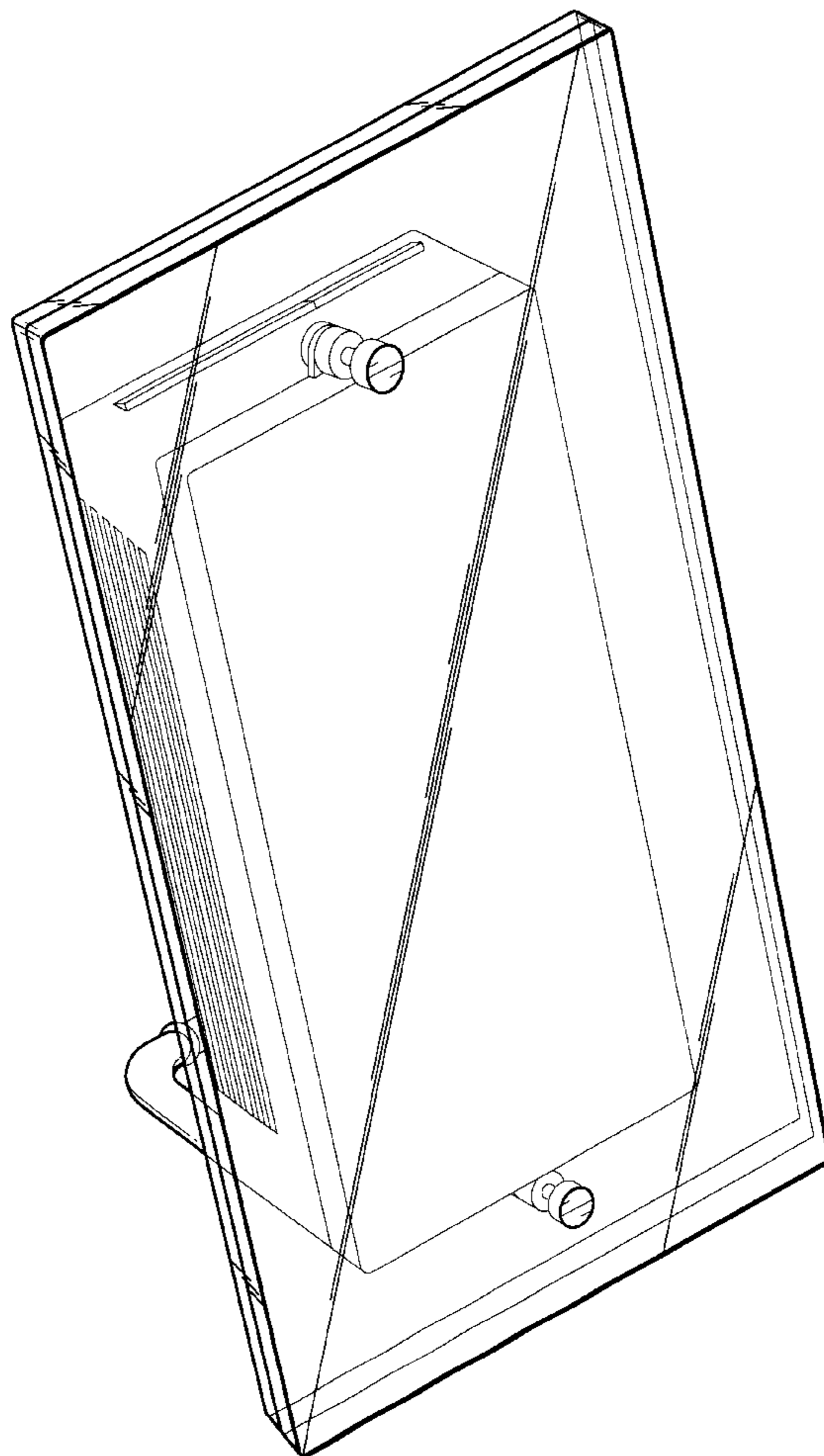
FIG. 3 is a rear elevational view thereof;

FIG. 4 is a right side elevational view thereof, the left side being a mirror image thereof;

FIG. 5 is a top plan view; and,

FIG. 6 is a bottom plan view.

1 Claim, 5 Drawing Sheets



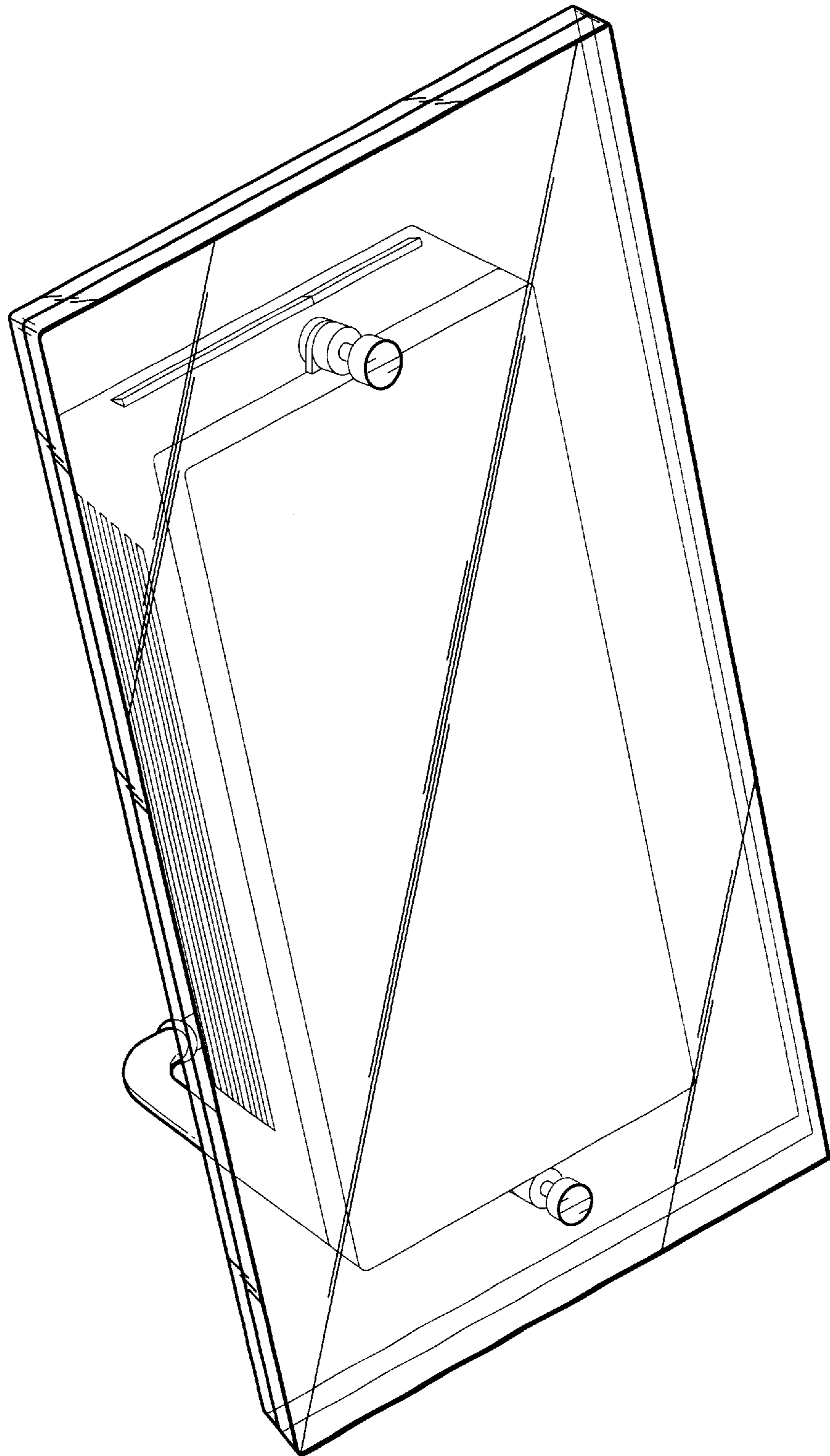


Fig. 1

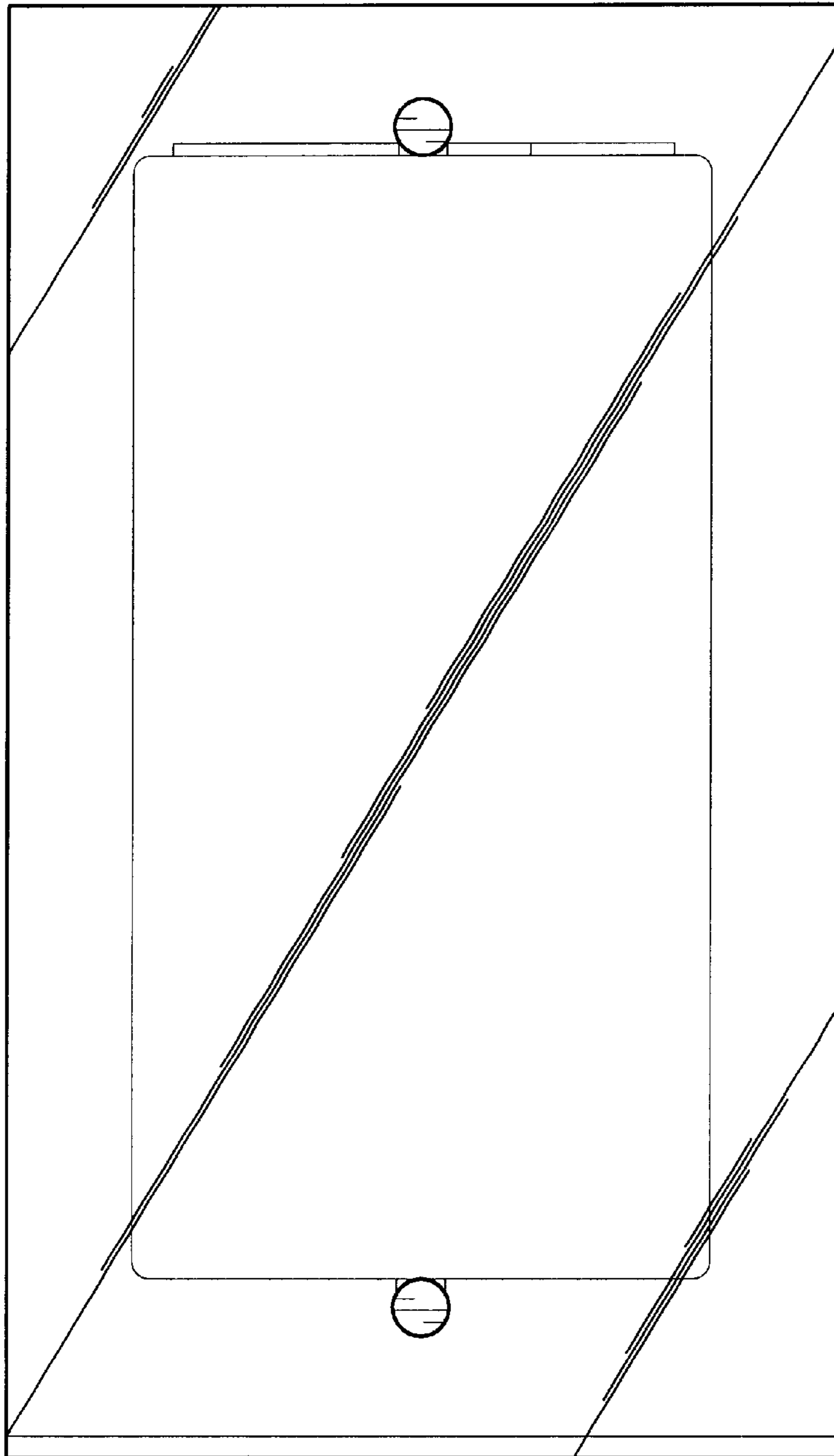


Fig. 2

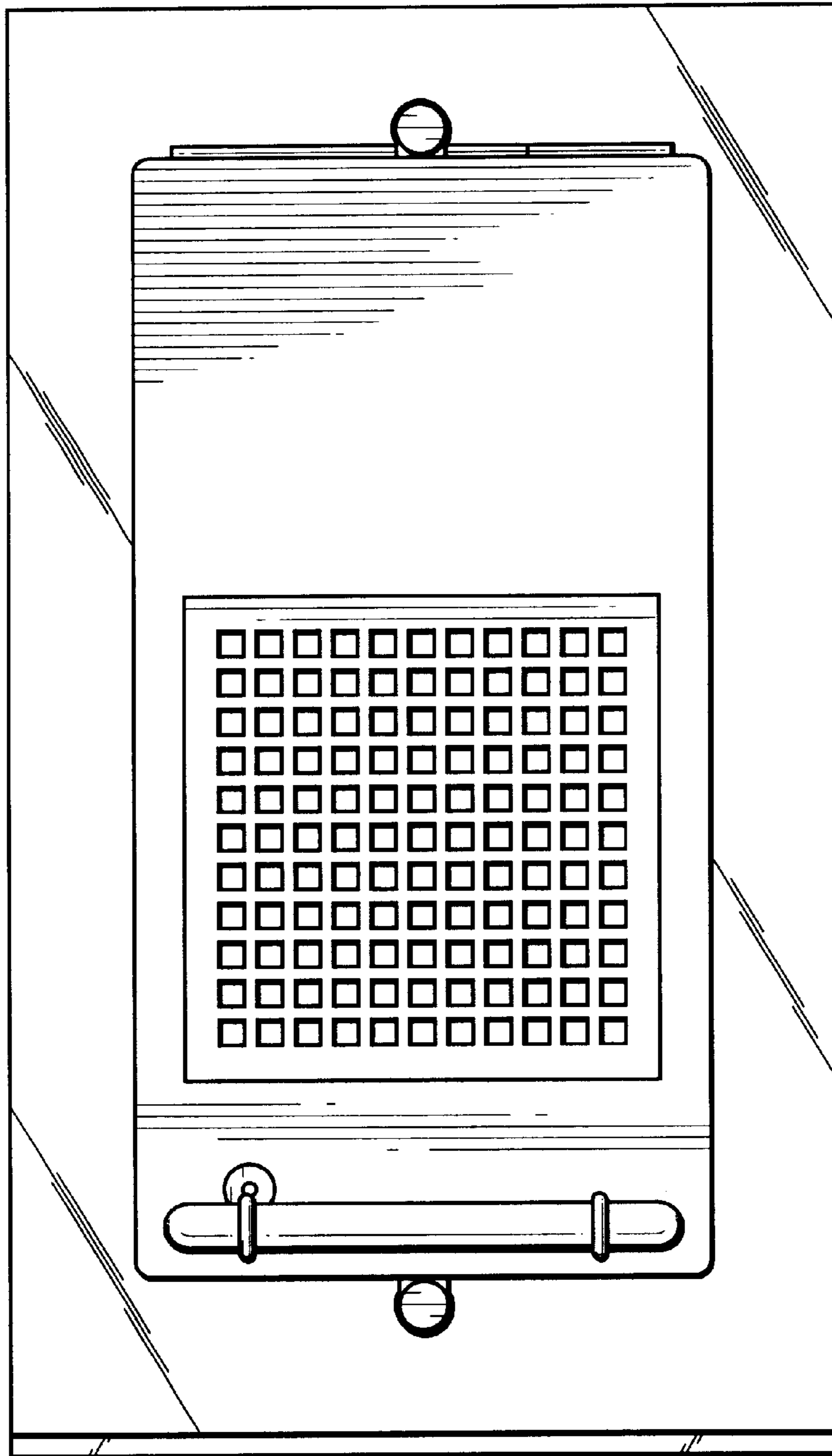


Fig. 3

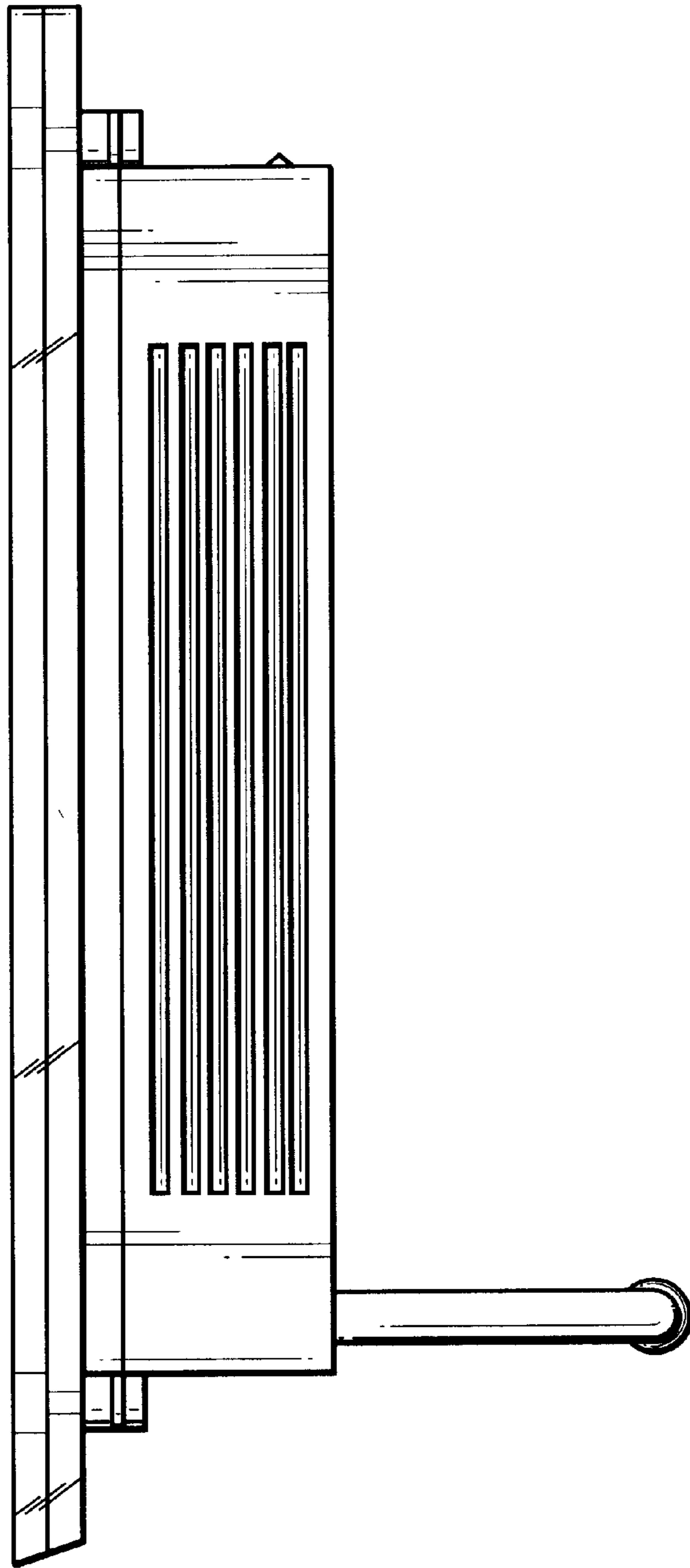


Fig. 4

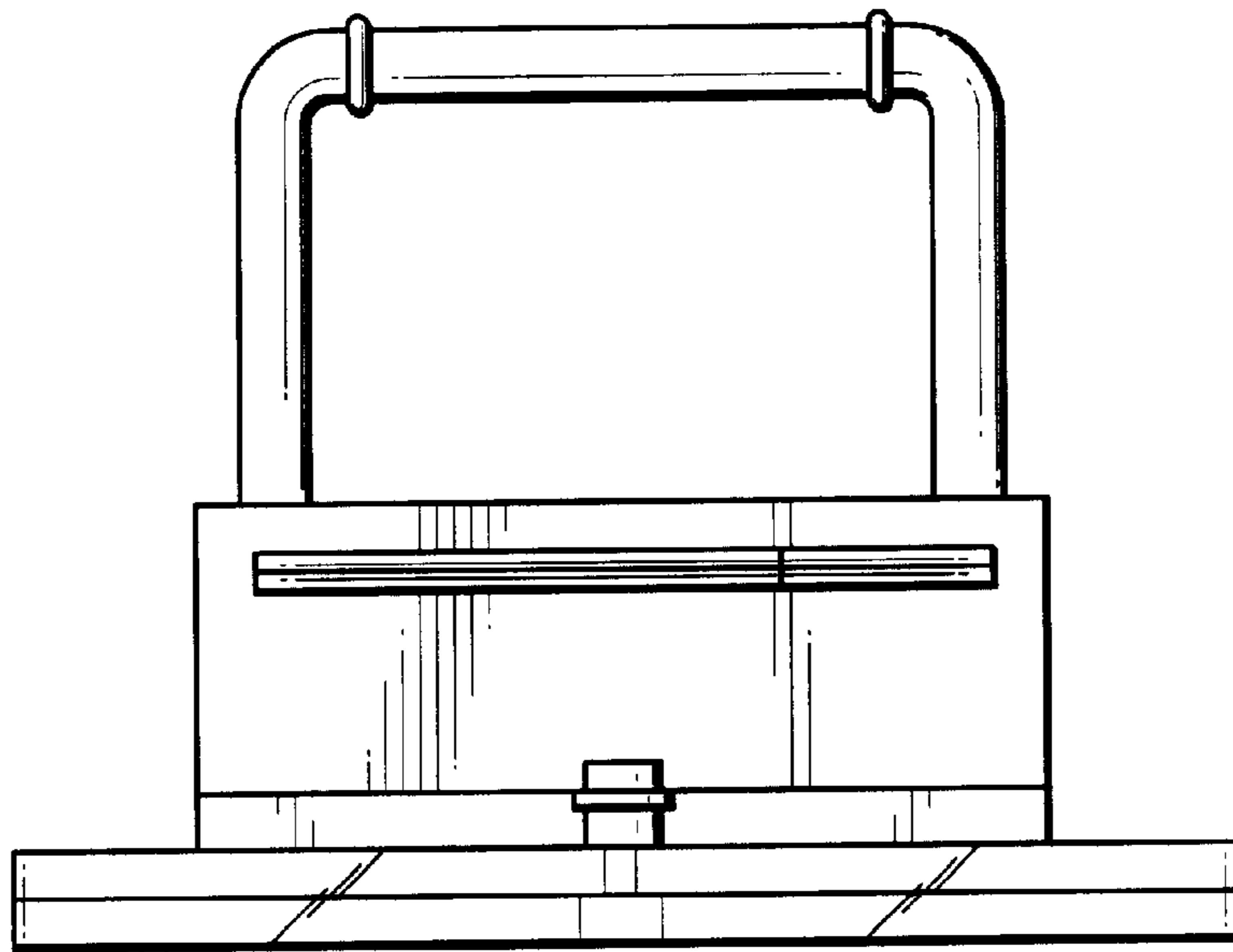


Fig. 5

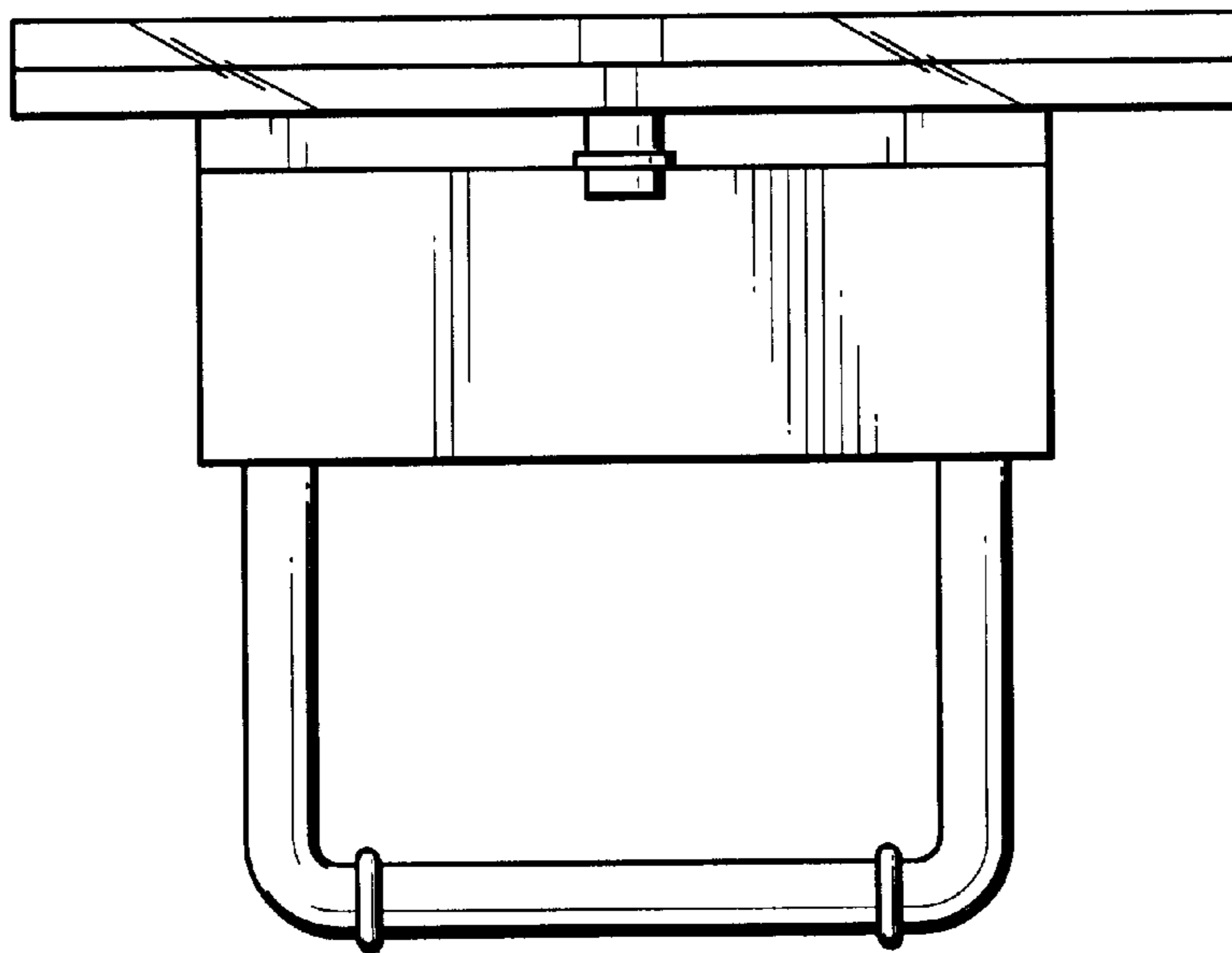


Fig. 6