



US00D482107S

(12) **United States Design Patent**
Shimizu

(10) **Patent No.:** **US D482,107 S**

(45) **Date of Patent:** **** Nov. 11, 2003**

(54) **TABLE FOR BATHTUB**

(75) Inventor: **Hideo Shimizu**, Tokyo (JP)

(73) Assignee: **Cappelline Buono Inc.**, Tokyo (JP)

(**) Term: **14 Years**

(21) Appl. No.: **29/168,049**

(22) Filed: **Sep. 24, 2002**

(30) **Foreign Application Priority Data**

Apr. 5, 2002 (JP) 2002-009167

(51) **LOC (7) Cl.** **23-02**

(52) **U.S. Cl.** **D23/304**

(58) **Field of Search** D23/273, 276,
D23/277, 278, 280.1, 280.2, 303, 304, 305;
D24/204, 205; D8/373; 4/538, 546-548,
551, 559, 571.1-579, 584-586, 591-593,
661; D6/384, 306.3, 397, 511, 423, 462,
525; 108/66, 134, 161

(56) **References Cited**

U.S. PATENT DOCUMENTS

D99,414 S * 4/1936 O'Neill D6/397
D192,955 S * 6/1962 Moore D23/304
D247,013 S * 1/1978 Chapman D6/525
D250,439 S * 12/1978 Holstein D6/525
D267,272 S * 12/1982 Doman et al. D24/204

4,953,473 A * 9/1990 Tomaka et al. D6/462 X
D334,489 S * 4/1993 Greutmann et al. D6/423
D358,458 S * 5/1995 Brightbill et al. D23/304

* cited by examiner

Primary Examiner—Louis S. Zarfes

Assistant Examiner—Robert A. Delehanty

(74) *Attorney, Agent, or Firm*—Ladas & Parry

(57) **CLAIM**

The ornamental design for a “table for bathtub”, as shown.

DESCRIPTION

FIG. 1 is a perspective view of the design of a table for bathtub showing a movable plate portion of the table in an extended position;

FIG. 2 is a front view thereof showing the movable plate portion in a retracted position;

FIG. 3 is a rear view thereof showing the movable plate portion in a retracted position;

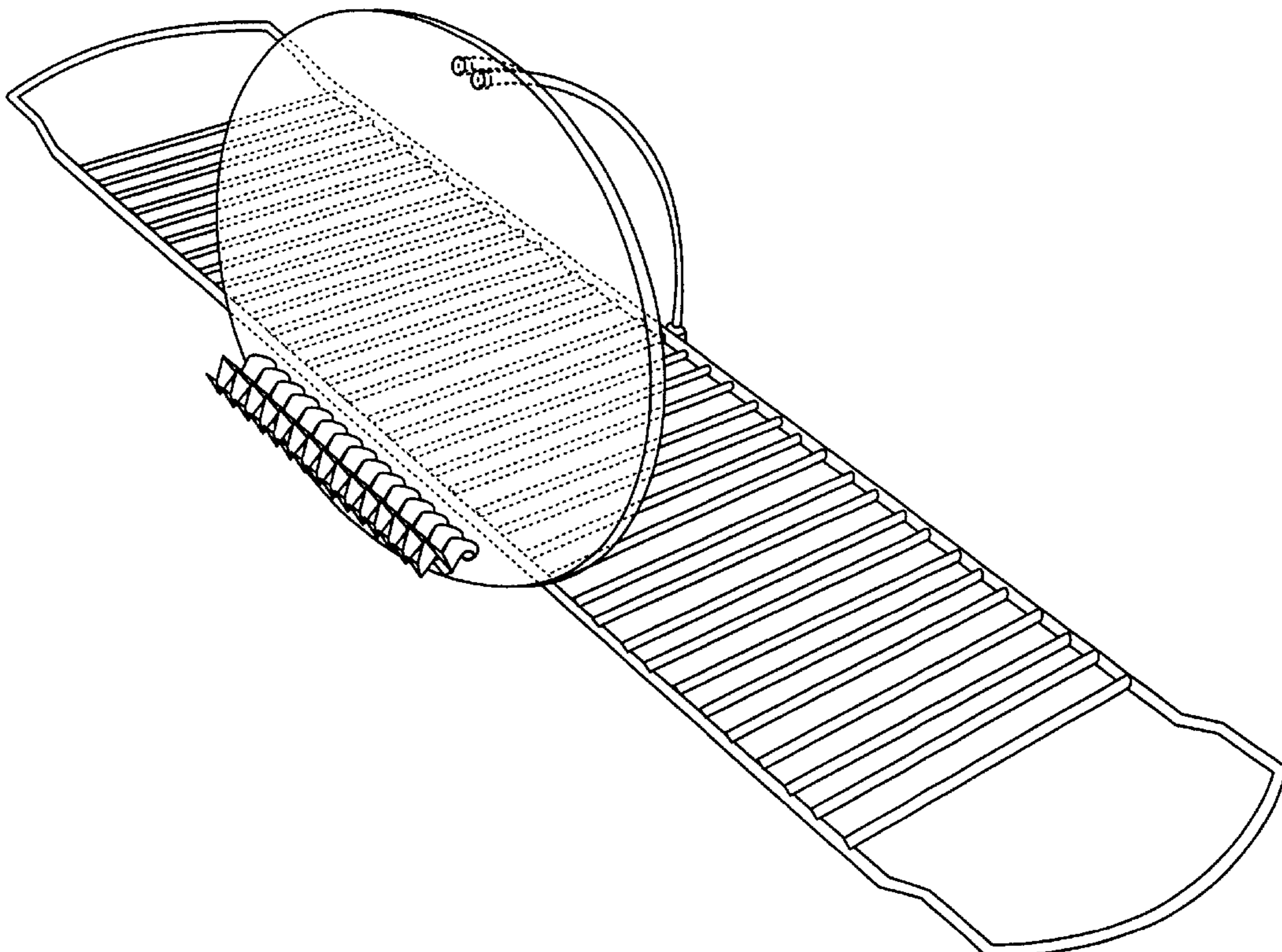
FIG. 4 is a right-side view thereof showing the movable plate portion in a retracted position;

FIG. 5 is a left-side view thereof showing the movable plate portion in a retracted position;

FIG. 6 is a top side view thereof showing the movable plate portion in a retracted position; and,

FIG. 7 is a bottom view thereof showing the movable plate portion in a retracted position.

1 Claim, 3 Drawing Sheets



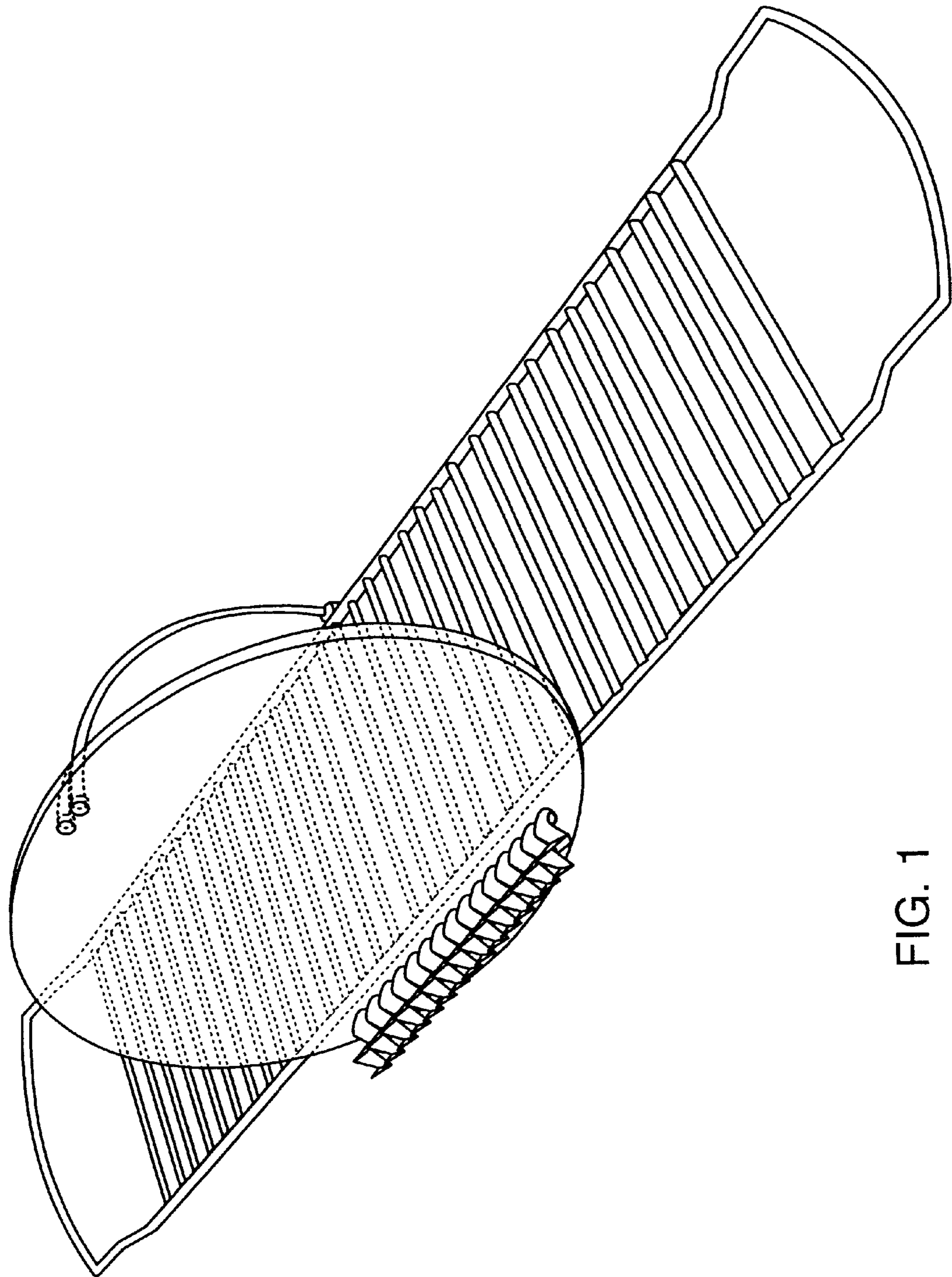


FIG. 1

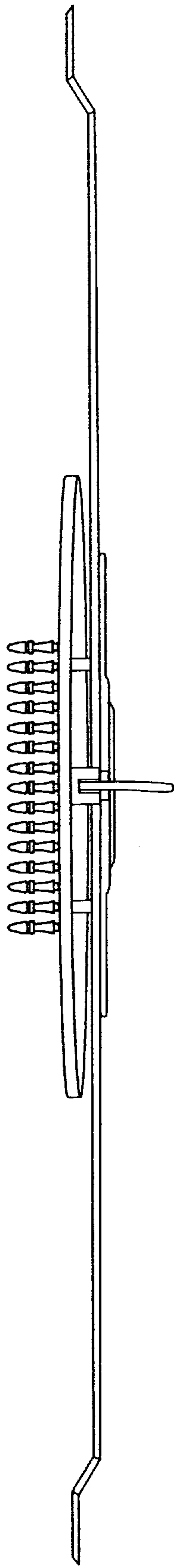


FIG. 2

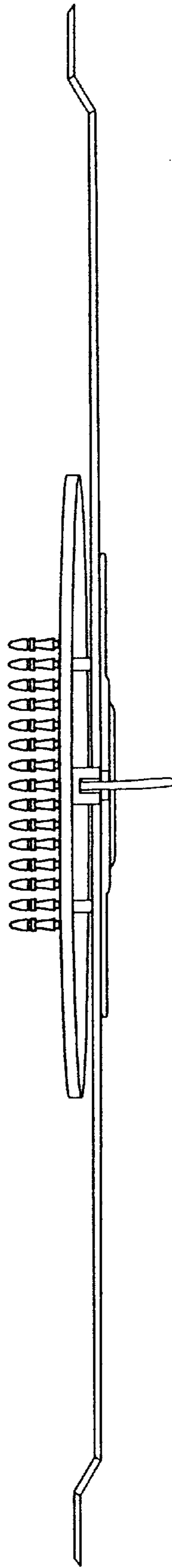


FIG. 3

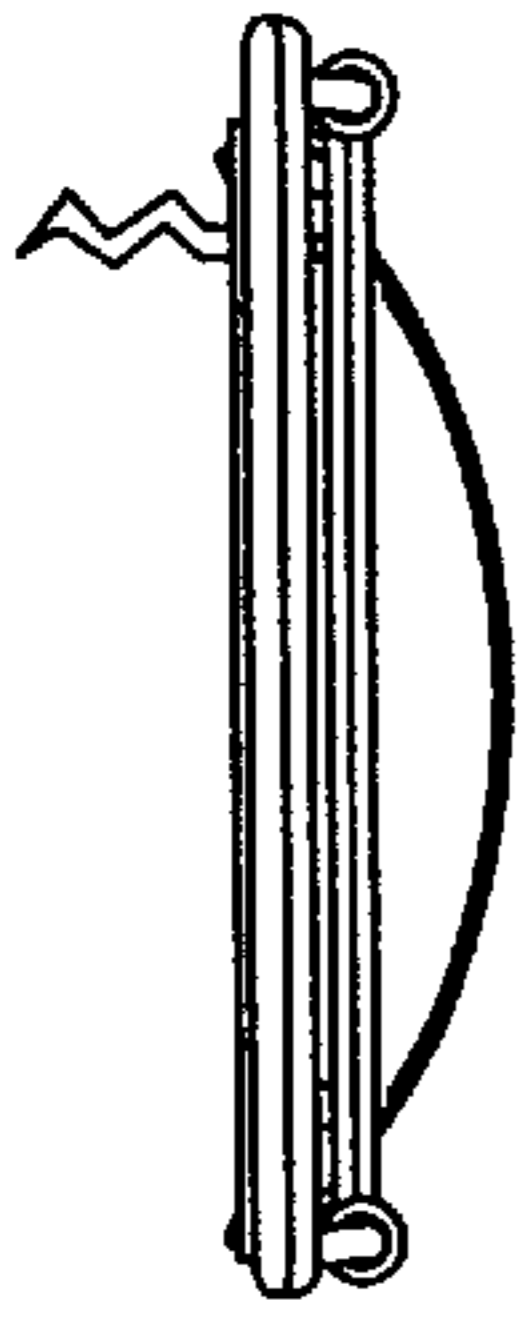


FIG. 5

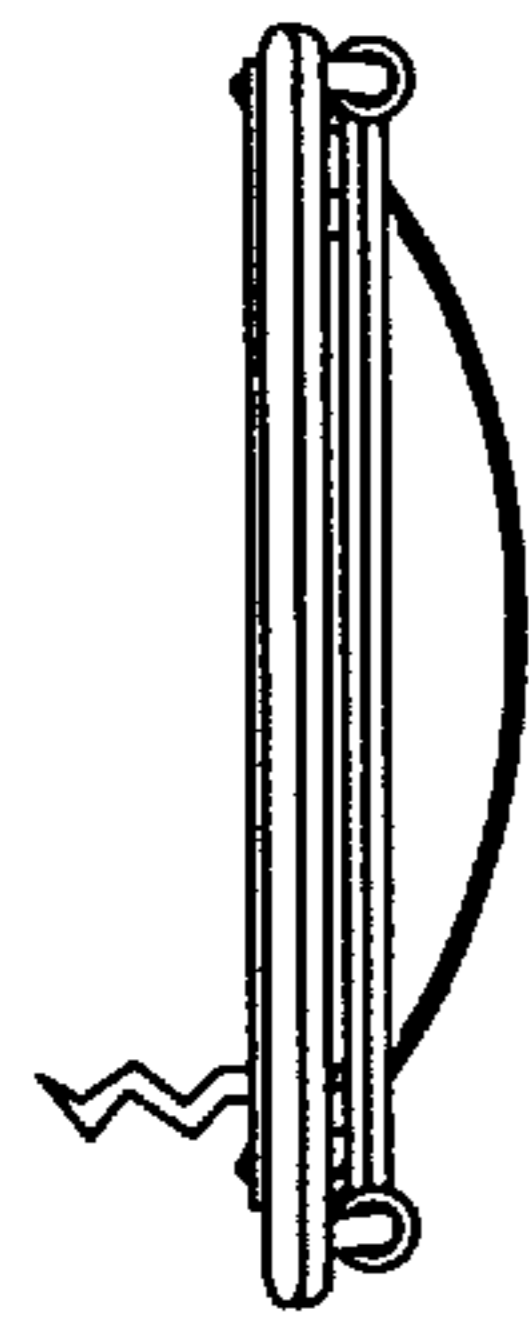


FIG. 4

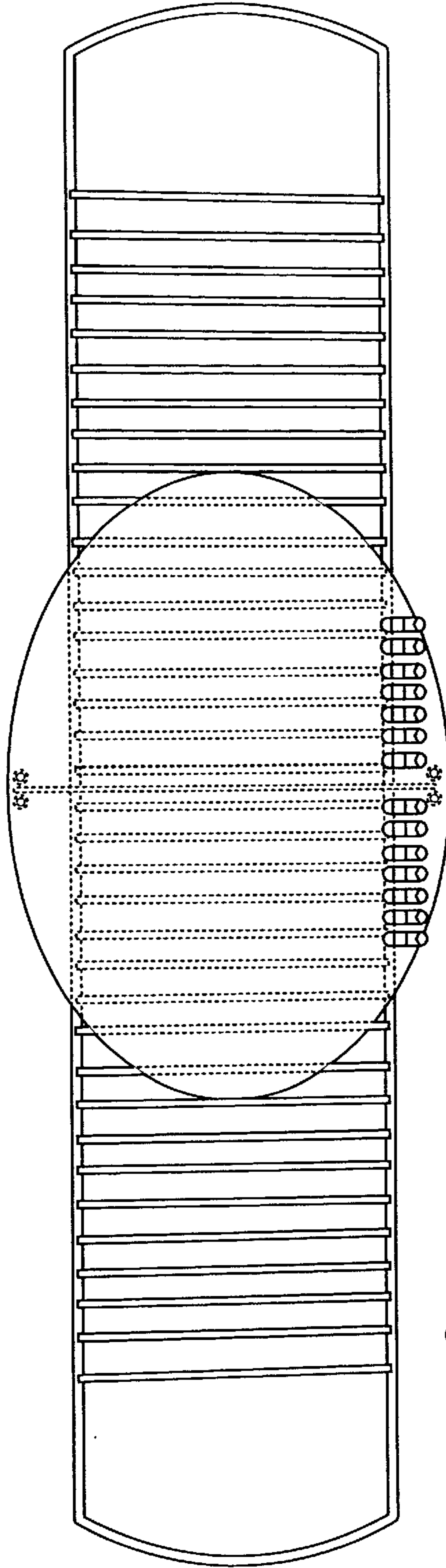


FIG. 6

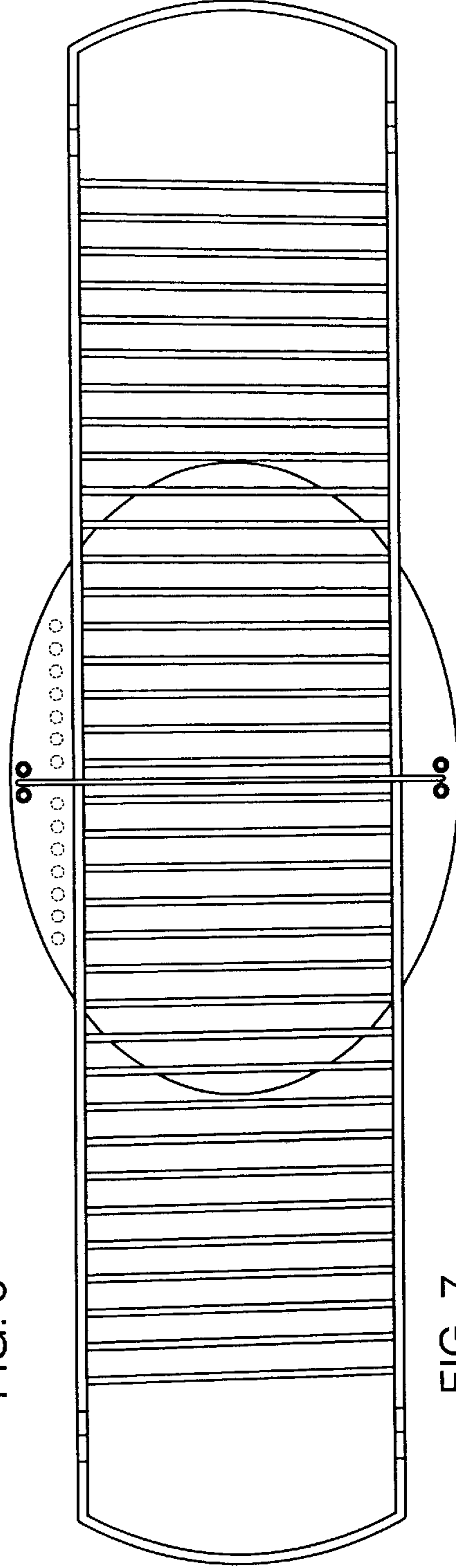


FIG. 7