



US00D482102S

(12) **United States Design Patent**  
**Wettstein et al.**

(10) **Patent No.:** **US D482,102 S**

(45) **Date of Patent:** **\*\* Nov. 11, 2003**

(54) **FAUCET**

(75) Inventors: **Hannes Wettstein**, Zurich (CH);  
**Ferdinand Hochstrasser**, Auenstein (CH)

(73) Assignee: **KWC AG**, Unterkulm (CH)

(\*\*) Term: **14 Years**

(21) Appl. No.: **29/172,574**

(22) Filed: **Dec. 16, 2002**

**Related U.S. Application Data**

(62) Division of application No. 29/142,937, filed on Jun. 6, 2001, now Pat. No. Des. 473,630.

(30) **Foreign Application Priority Data**

Dec. 6, 2000 (WO) ..... DMA/005 120

(51) **LOC (7) Cl.** ..... **23-01**

(52) **U.S. Cl.** ..... **D23/238**

(58) **Field of Search** ..... D23/238-243,  
D23/250-257; 4/675-678; 137/801

(56) **References Cited**

**U.S. PATENT DOCUMENTS**

D466,979 S \* 12/2002 Shultz ..... D23/238

D468,398 S \* 1/2003 Ziemann ..... D23/238

D473,630 S \* 4/2003 Wettstein et al. .... D23/238

\* cited by examiner

*Primary Examiner*—Louis S. Zarfaz

*Assistant Examiner*—Gregory Andoll

(74) *Attorney, Agent, or Firm*—Oblon, Spivak, McClelland, Maier & Neustadt, P.C.

(57) **CLAIM**

The ornamental design for a faucet, as shown and described.

**DESCRIPTION**

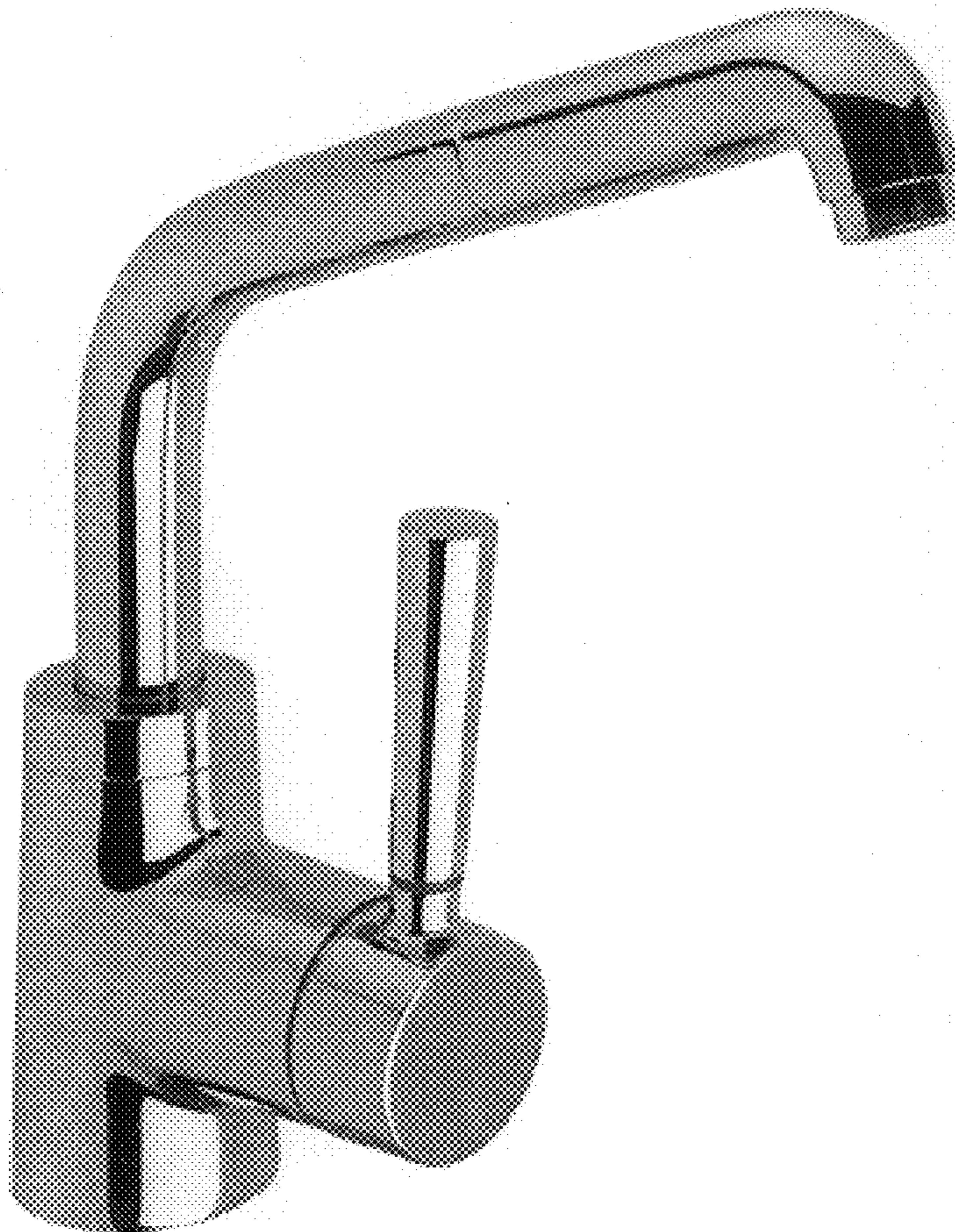
FIG. 1 is a top and left front perspective view of an embodiment of a faucet, showing our new design;

FIG. 2 is a left front elevational view thereof;

FIG. 3 is a top and right front perspective view thereof; and,

FIG. 4 is a top and left rear perspective view of an alternative position of the embodiment.

**1 Claim, 2 Drawing Sheets**



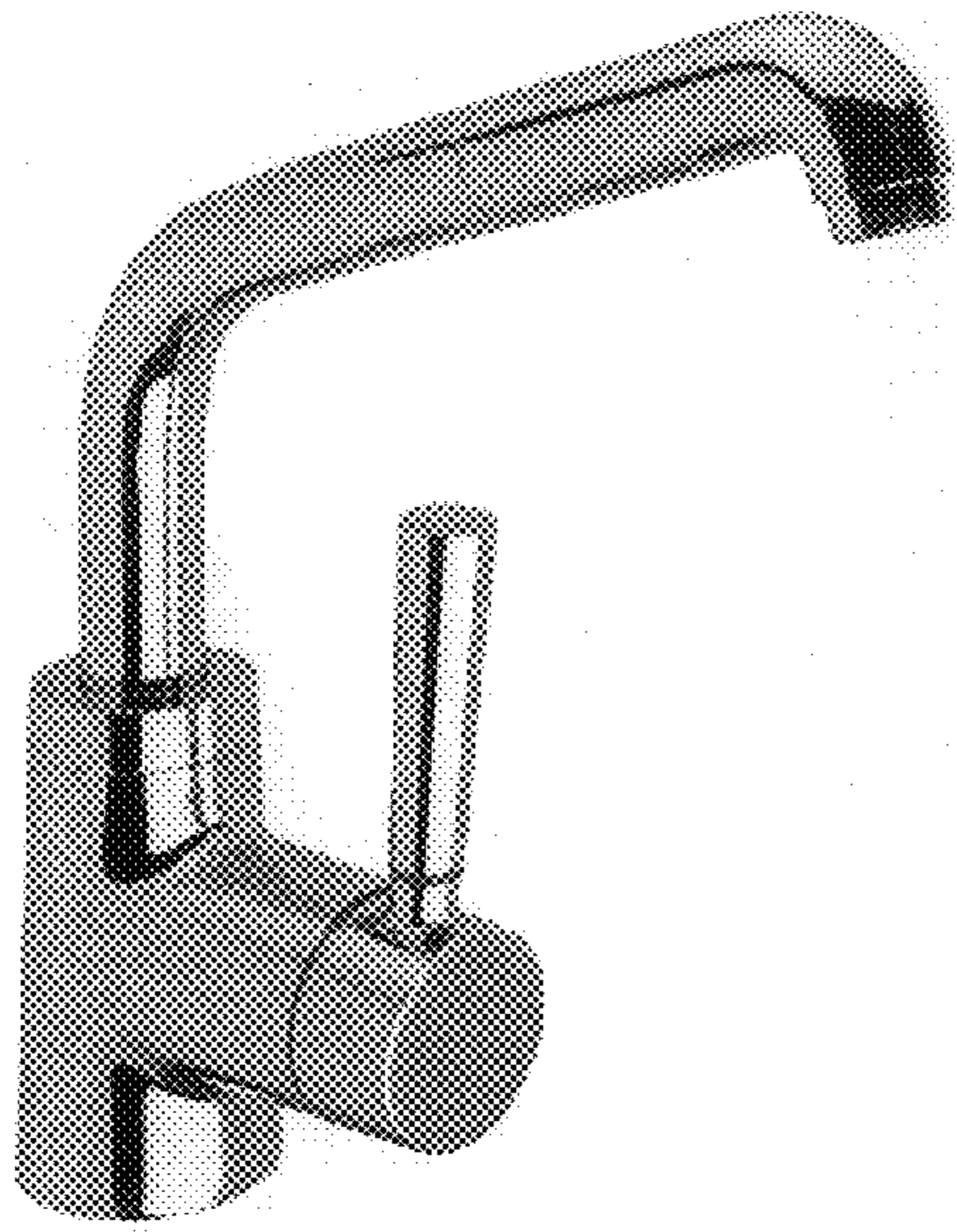


FIG. 1

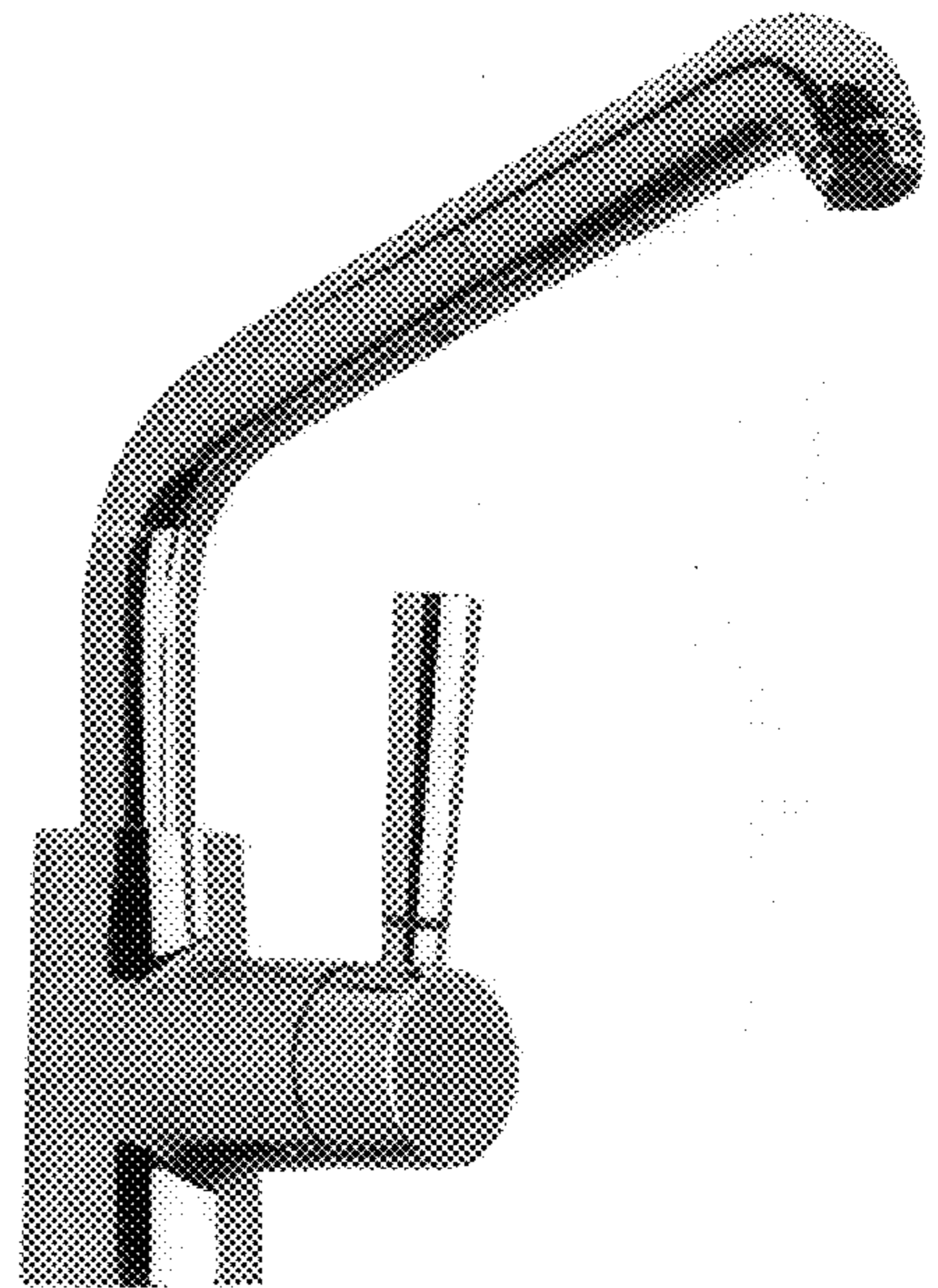


FIG. 2

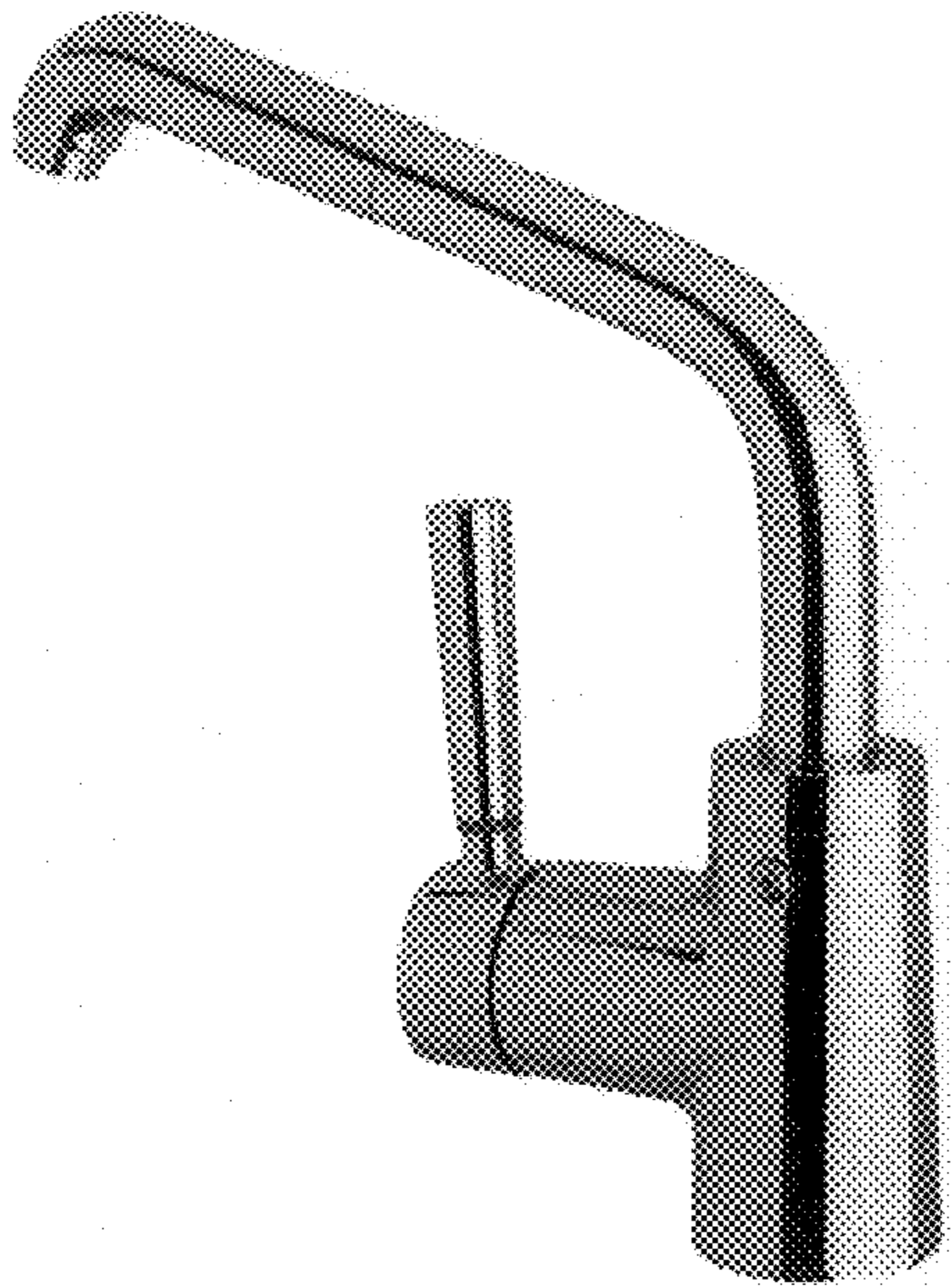


FIG. 3

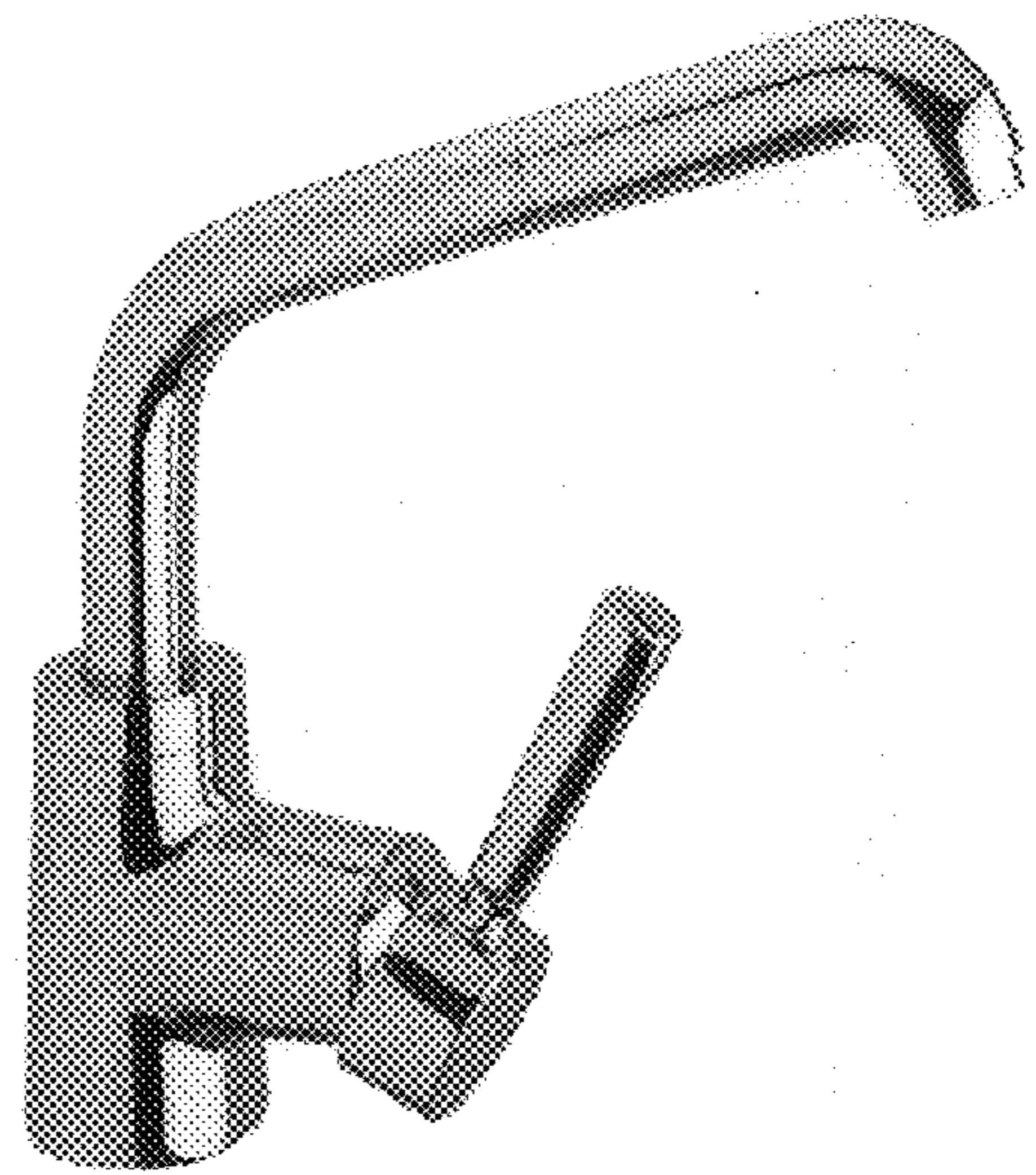


FIG. 4