



US00D482101S

(12) **United States Design Patent**
Rampen et al.

(10) **Patent No.:** **US D482,101 S**

(45) **Date of Patent:** **** Nov. 11, 2003**

(54) **WATER FILTRATION HOUSING FOR WATER FILTRATION CARTRIDGE**

3,935,106 A * 1/1976 Lipner 210/232
4,915,831 A * 4/1990 Taylor 210/232
D317,040 S * 5/1991 Petrucci et al. D23/209
5,876,610 A 3/1999 Clack et al.

(75) Inventors: **Edmond Leveson Rampen**, Oakville (CA); **James Theodore Ziegler**, Burlington (CA)

* cited by examiner

(73) Assignee: **Envirogard Products Ltd.**, Richmond Hill (CA)

Primary Examiner—Robin V. Taylor
(74) *Attorney, Agent, or Firm*—Ingrid E. Schmidt

(**) Term: **14 Years**

(57) **CLAIM**

(21) Appl. No.: **29/173,034**

We claim the design for a water filtration housing for water filtration cartridge, as shown and described.

(22) Filed: **Dec. 23, 2002**

DESCRIPTION

(51) **LOC (7) Cl.** **23-01**

FIG. 1 is a perspective view from the top and the front of a water filtration housing for water filtration cartridge showing our new design;

(52) **U.S. Cl.** **D23/209**

FIG. 2 is a similar perspective view to FIG. 1 from the top and the back thereof;

(58) **Field of Search** D23/207, 200, D23/209; 210/443, 444

FIG. 3 is a side elevation view thereof;

(56) **References Cited**

FIG. 4 is a back elevation view thereof; and,

U.S. PATENT DOCUMENTS

FIG. 5 is an enlarged top plan view thereof.

D188,688 S * 8/1960 Sicard D23/209
D230,735 S * 3/1974 Lents D23/209

1 Claim, 5 Drawing Sheets

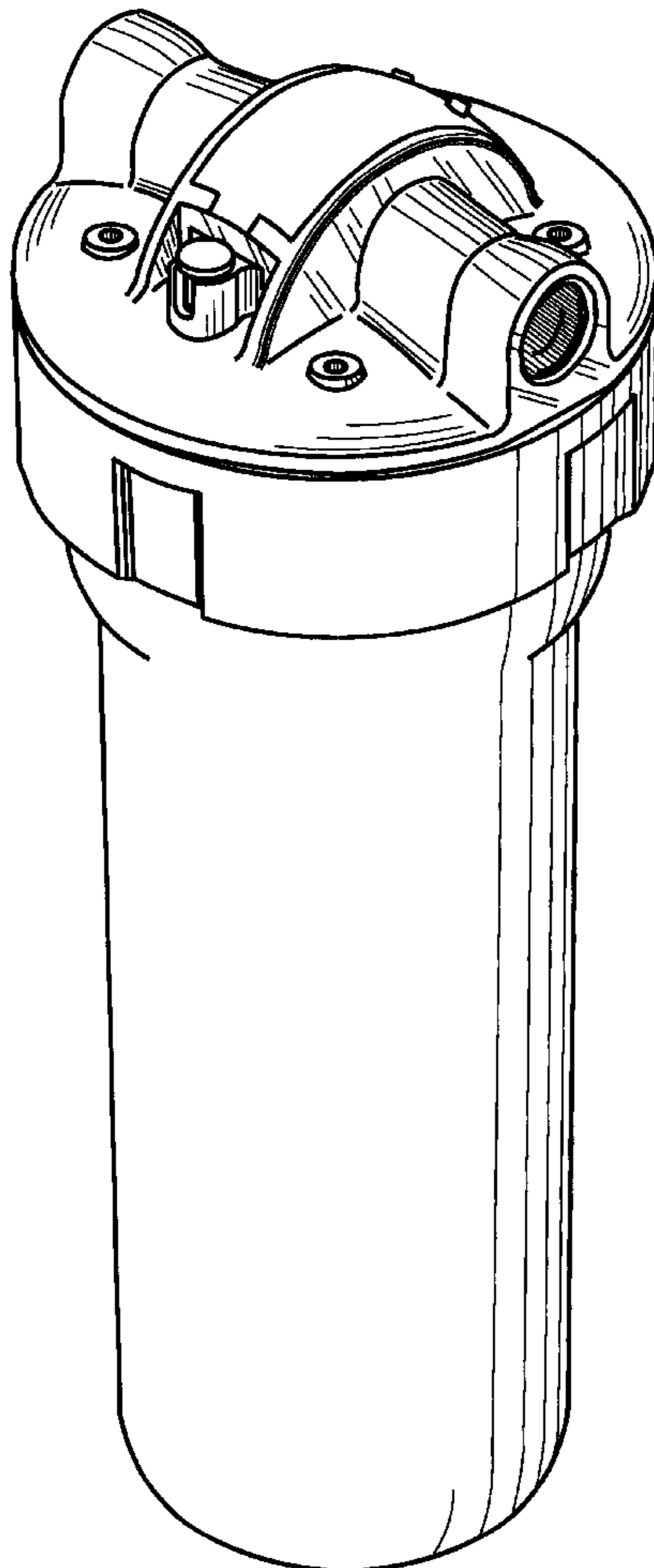


Fig 1

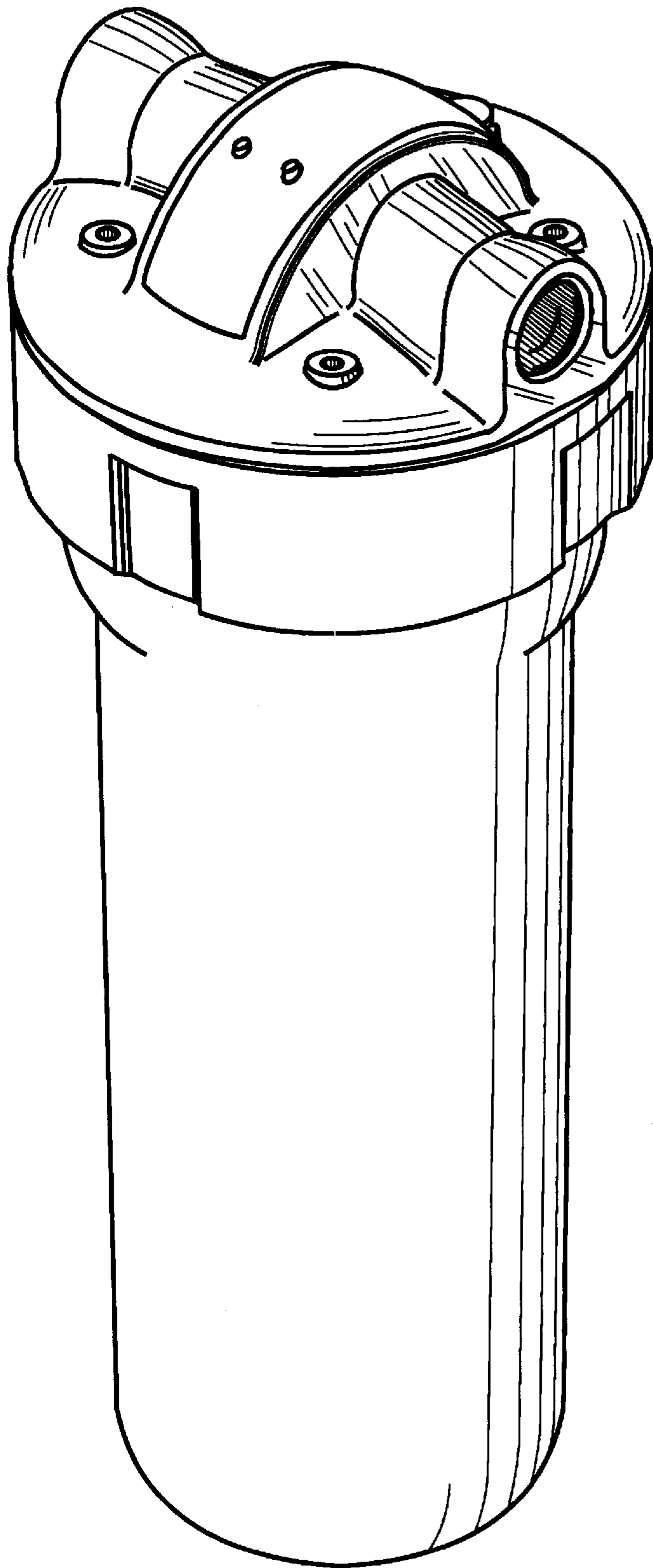


Fig 2

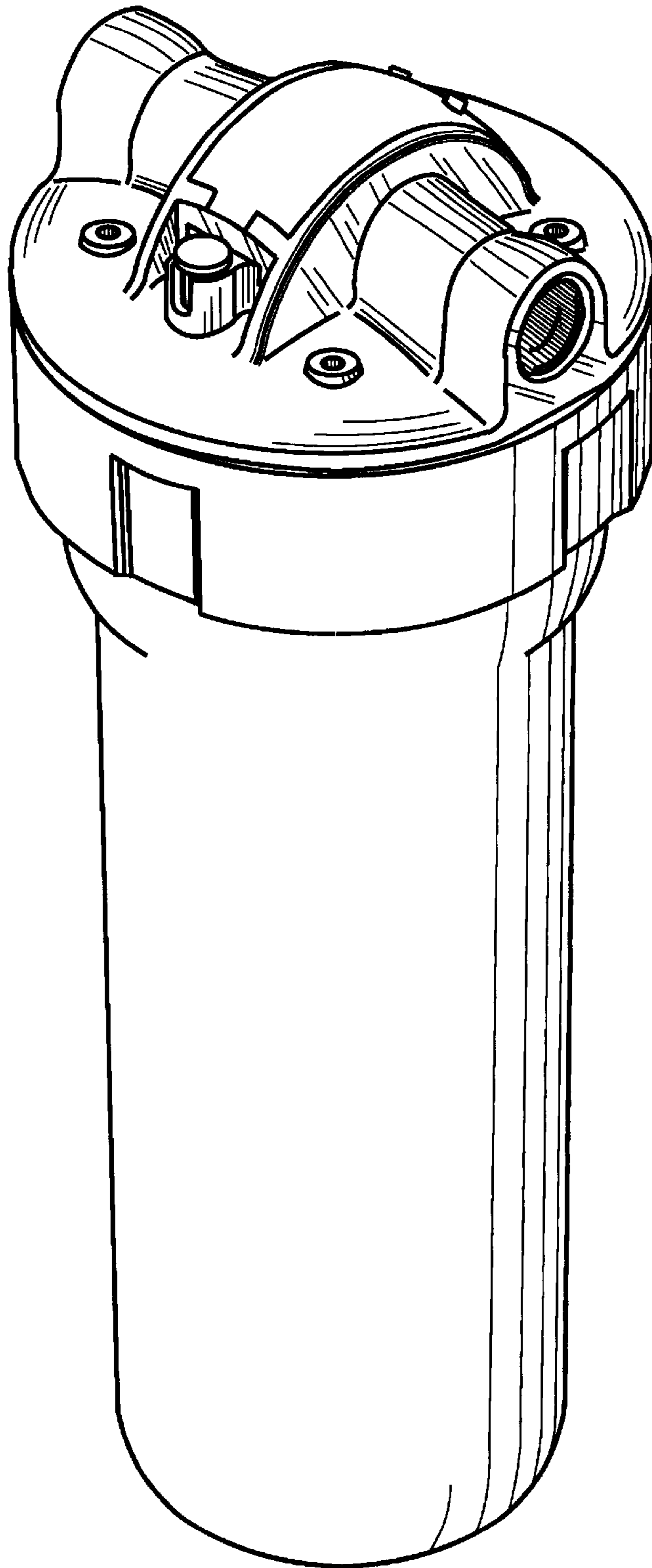


Fig 3

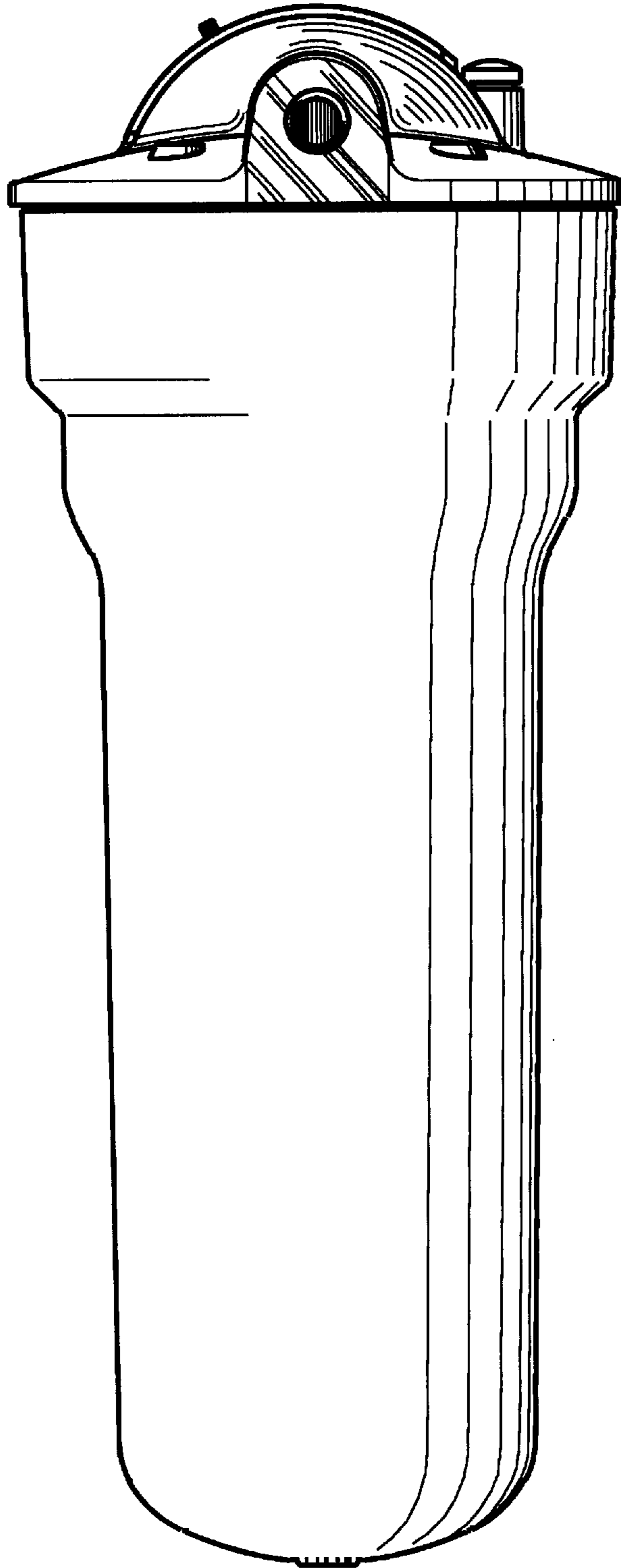


Fig 4

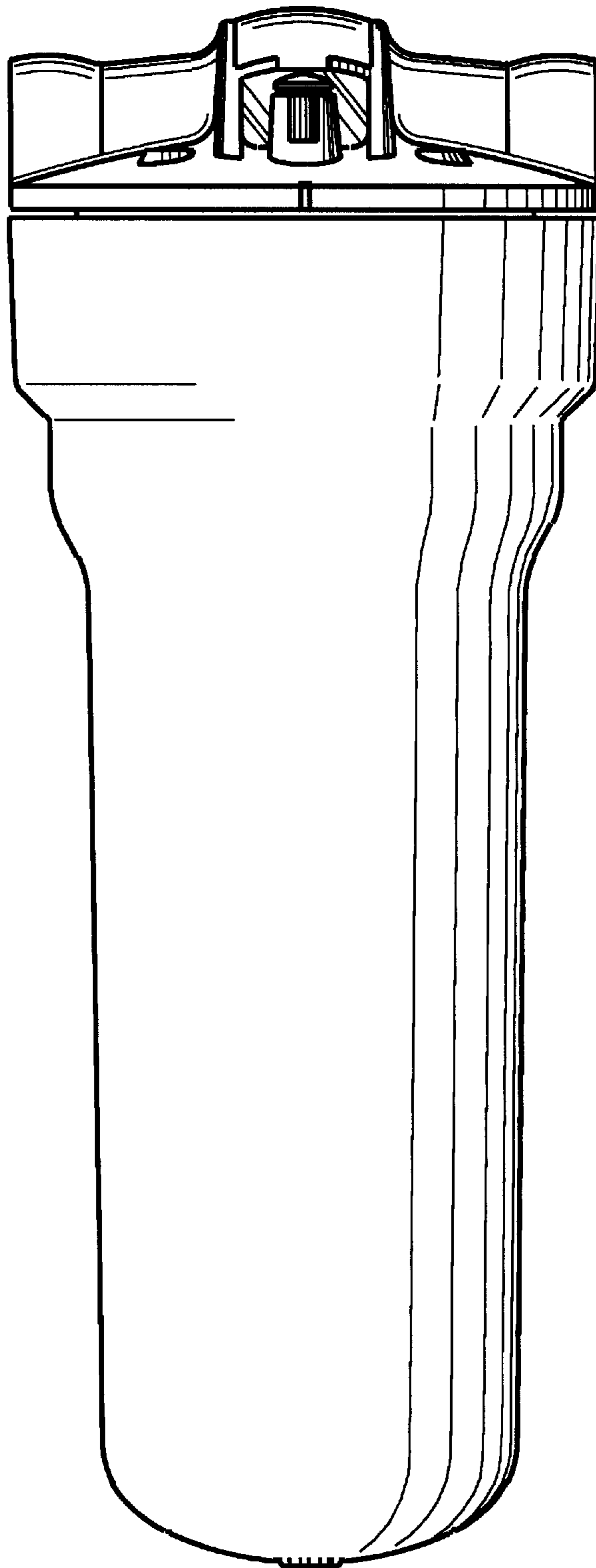


Fig 5

