



US00D482098S

(12) **United States Design Patent**
Cunningham

(10) **Patent No.:** **US D482,098 S**

(45) **Date of Patent:** **** Nov. 11, 2003**

(54) **SHELL CASING DEFLECTOR**

(76) **Inventor:** **Thomas A. Cunningham**, 11850 W.
187th St., Mokena, IL (US) 60448

(**) **Term:** **14 Years**

(21) **Appl. No.:** **29/167,751**

(22) **Filed:** **Sep. 19, 2002**

(51) **LOC (7) Cl.** **22-01**

(52) **U.S. Cl.** **D22/108**

(58) **Field of Search** D22/100, 108,
D22/199; 42/7, 17, 25, 87, 90, 96, 98, 106;
89/33.4, 138

(56) **References Cited**

U.S. PATENT DOCUMENTS

804,661	A	*	11/1905	Johnson	42/98
946,210	A	*	1/1910	Febiger	42/98
968,139	A	*	8/1910	Febiger	42/98
3,978,602	A	*	9/1976	Morrow et al.	42/98
4,202,245	A		5/1980	McSpadden		
4,204,353	A		5/1980	Isola		
4,334,375	A		6/1982	Olson		
D270,078	S	*	8/1983	Buffum	D22/108
4,621,444	A	*	11/1986	Anderson	42/98
4,691,615	A		9/1987	Brunton		
4,715,141	A		12/1987	Kohnke		
4,959,918	A		10/1990	Perez		
5,138,787	A		8/1992	Riddle et al.		

* cited by examiner

Primary Examiner—Louis S. Zarfes

Assistant Examiner—Monica A. Weingart

(74) *Attorney, Agent, or Firm*—Leydig, Voit & Mayer, Ltd.

(57) **CLAIM**

The ornamental design for a shell casing deflector, as shown and described.

DESCRIPTION

FIG. 1 is a left front perspective view of a shell casing deflector showing my new design;
 FIG. 2 is a front elevation view thereof;
 FIG. 3 is a rear elevation view thereof;
 FIG. 4 is a top plan view thereof;
 FIG. 5 is a left side view thereof;
 FIG. 6 is a right side view thereof;
 FIG. 7 is a bottom plan view thereof;
 FIG. 8 is a left front perspective view of the shell casing deflector in an alternate environment showing my new design;
 FIG. 9 is a front elevation view thereof;
 FIG. 10 is a rear elevation view thereof;
 FIG. 11 is a top plan view thereof;
 FIG. 12 is a left side view thereof;
 FIG. 13 is a right side view thereof; and,
 FIG. 14 is a bottom plan view thereof.
 The dotted line portion is for reference purposes only and forms no part of the claimed design.

1 Claim, 4 Drawing Sheets

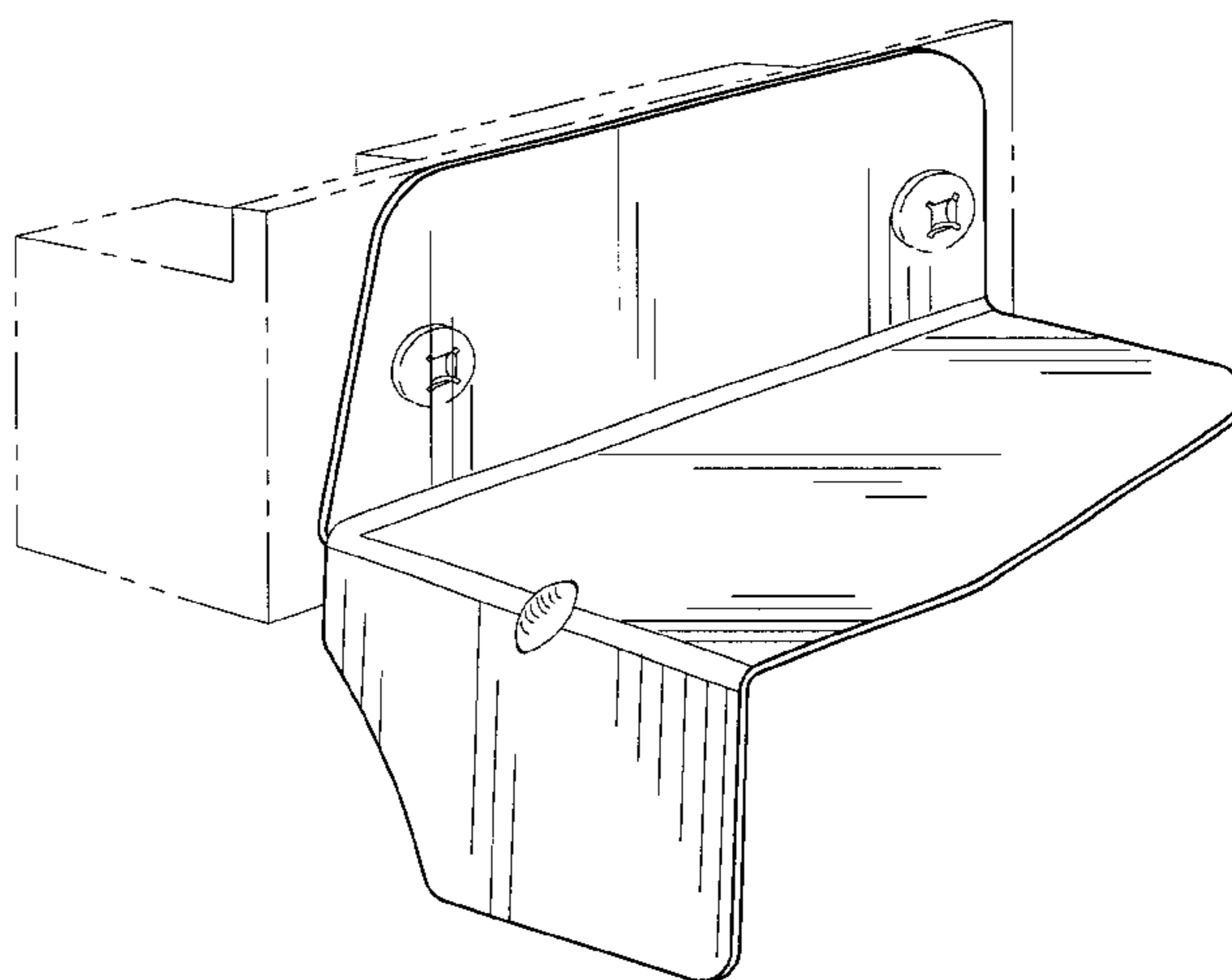
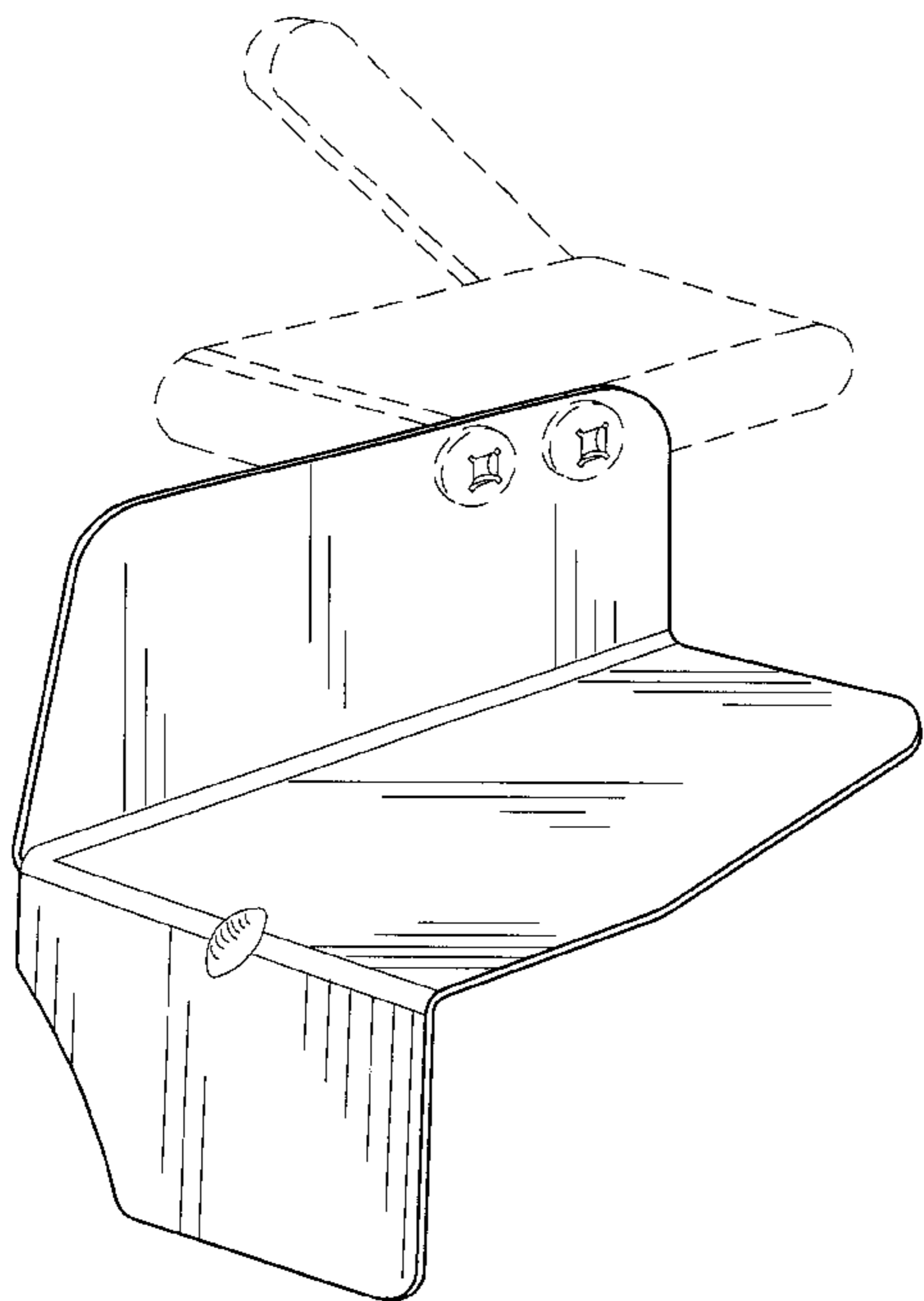


FIG. 1

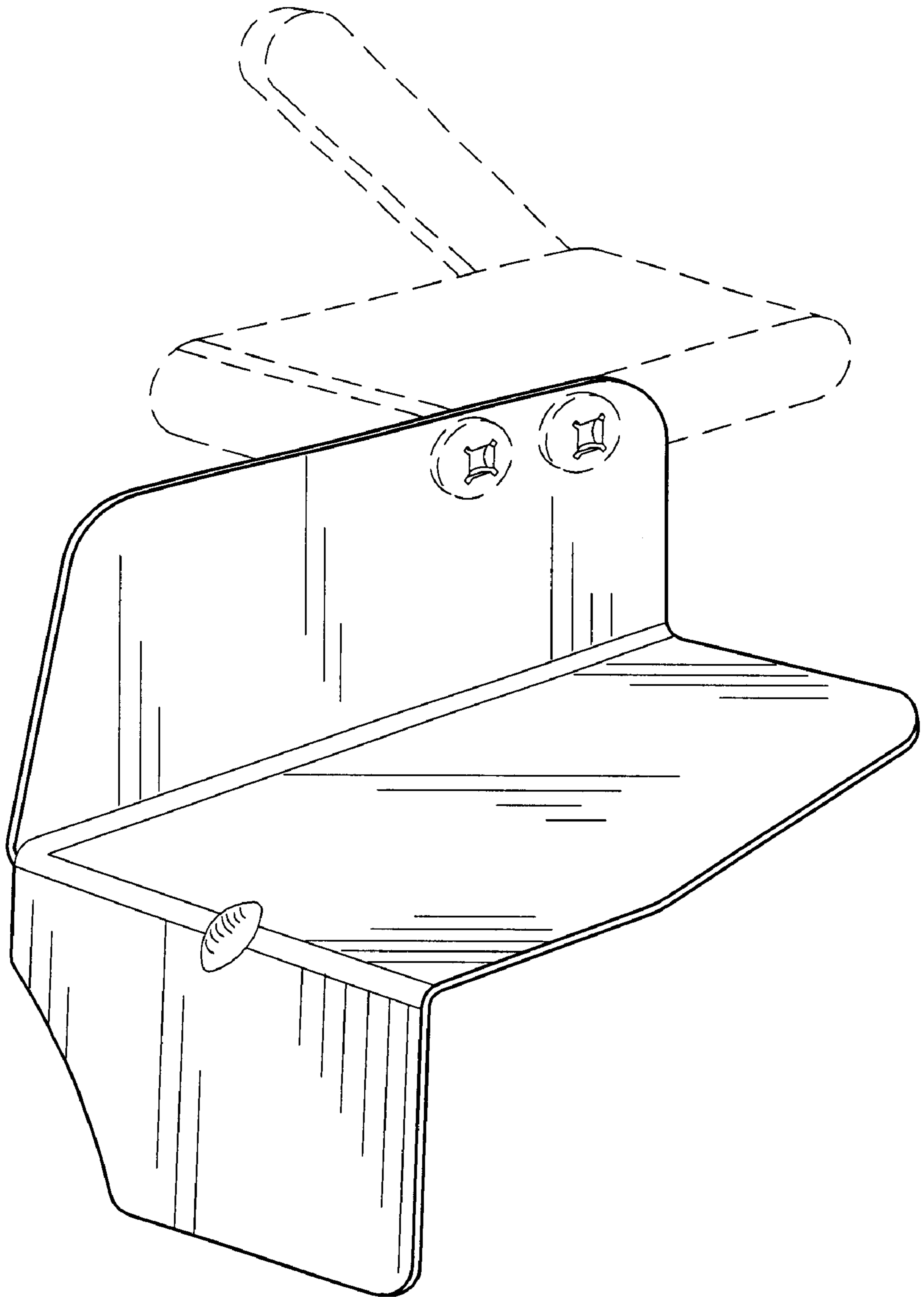


FIG. 3

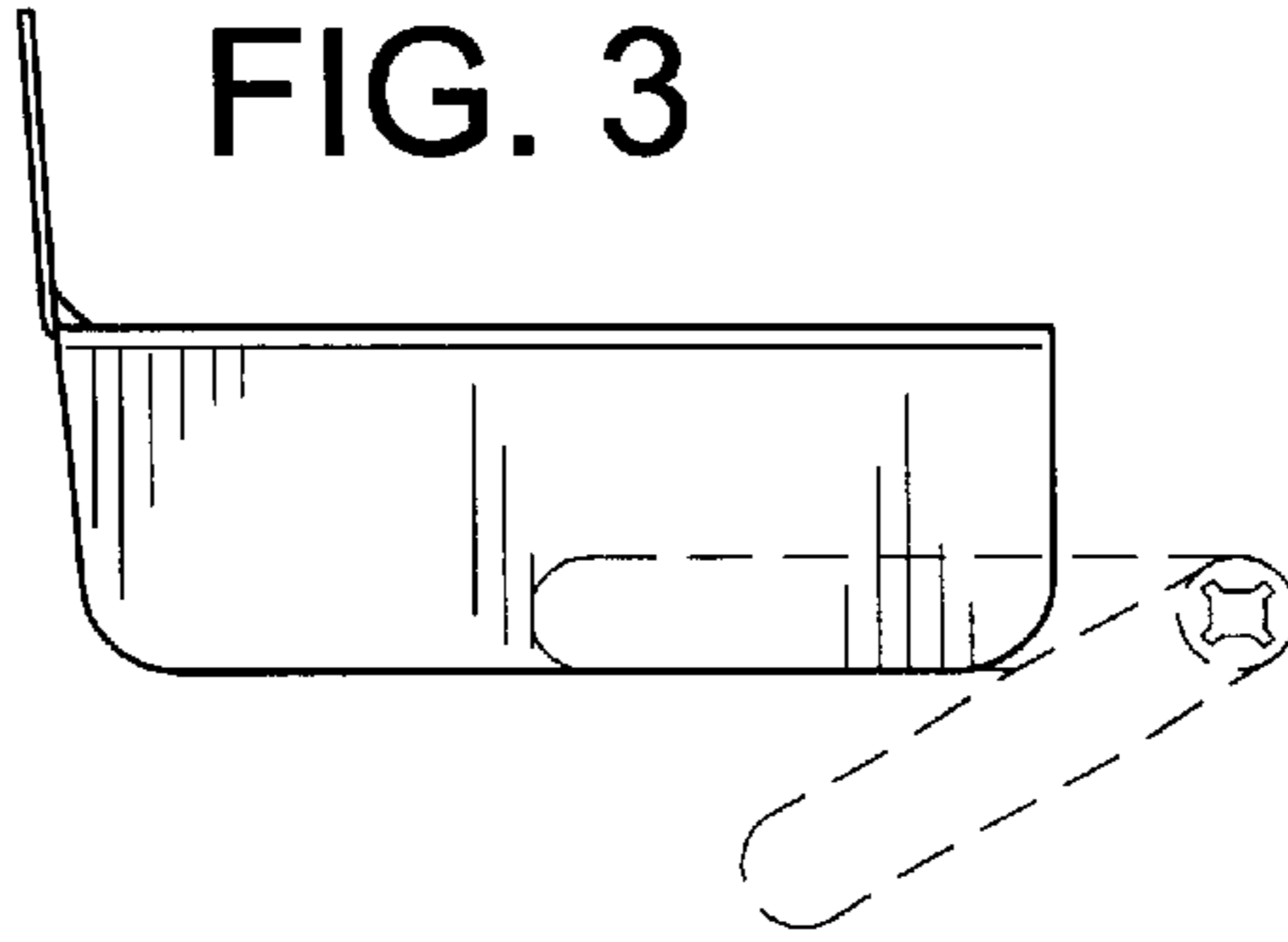


FIG. 4

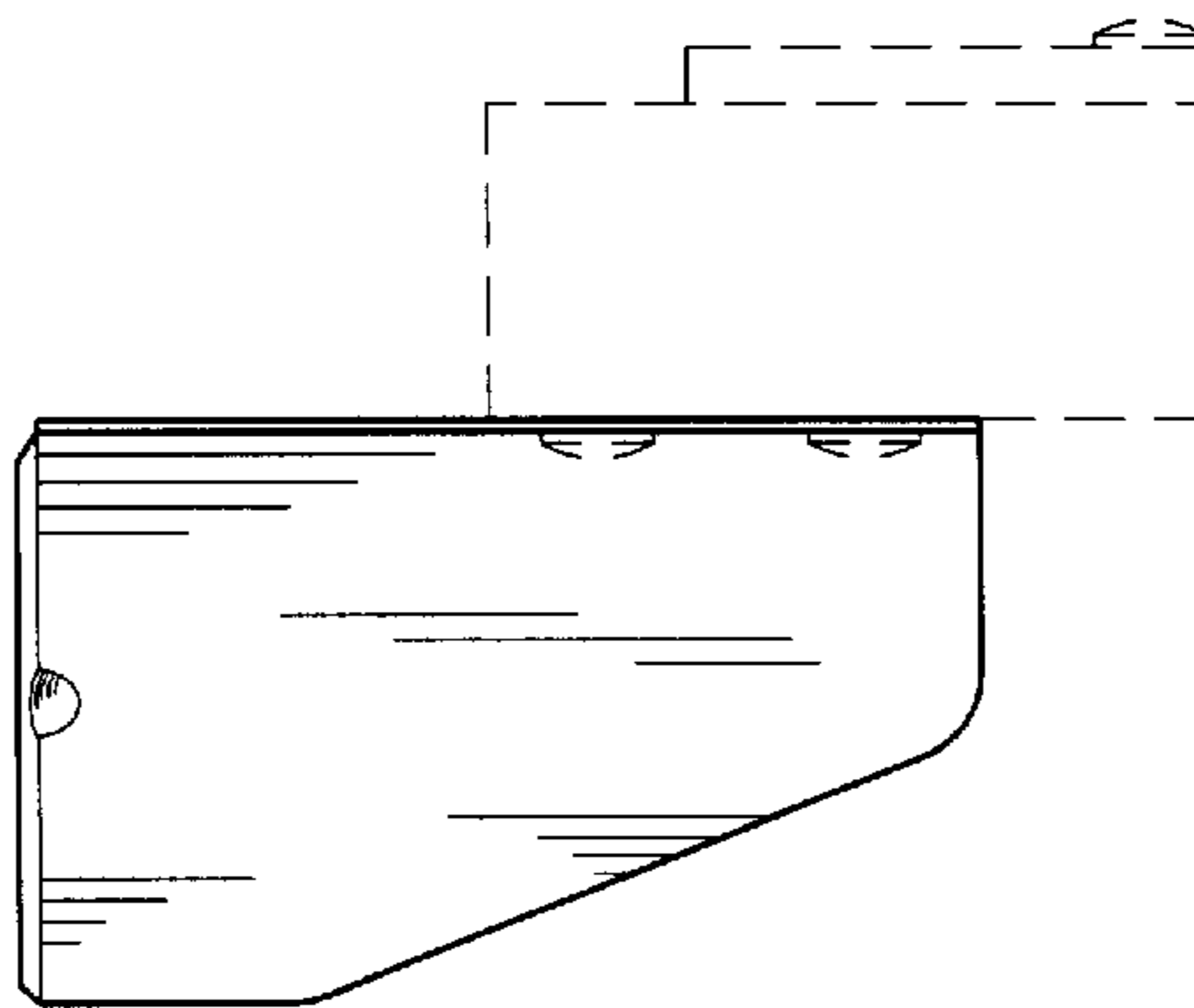


FIG. 5

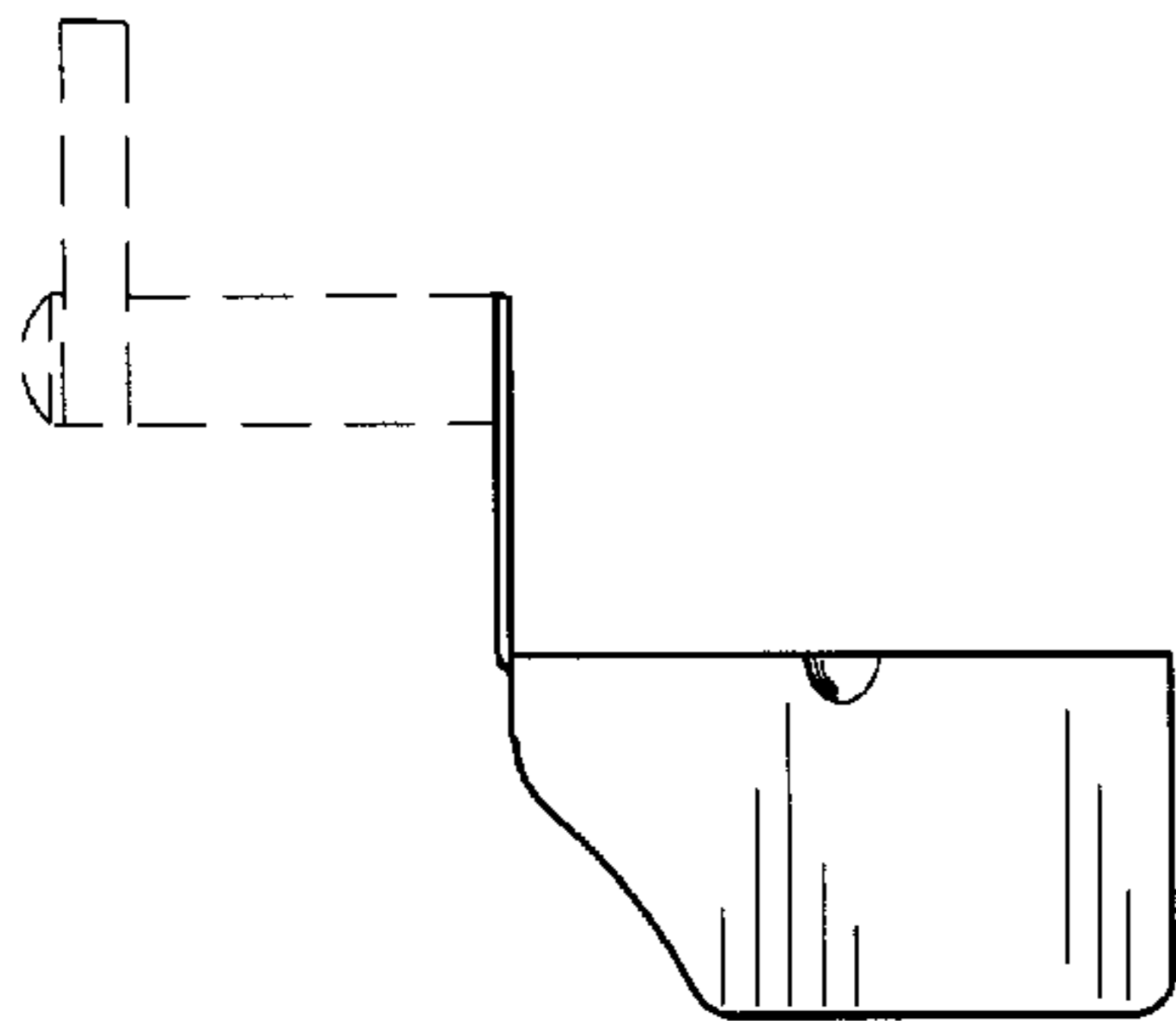


FIG. 2

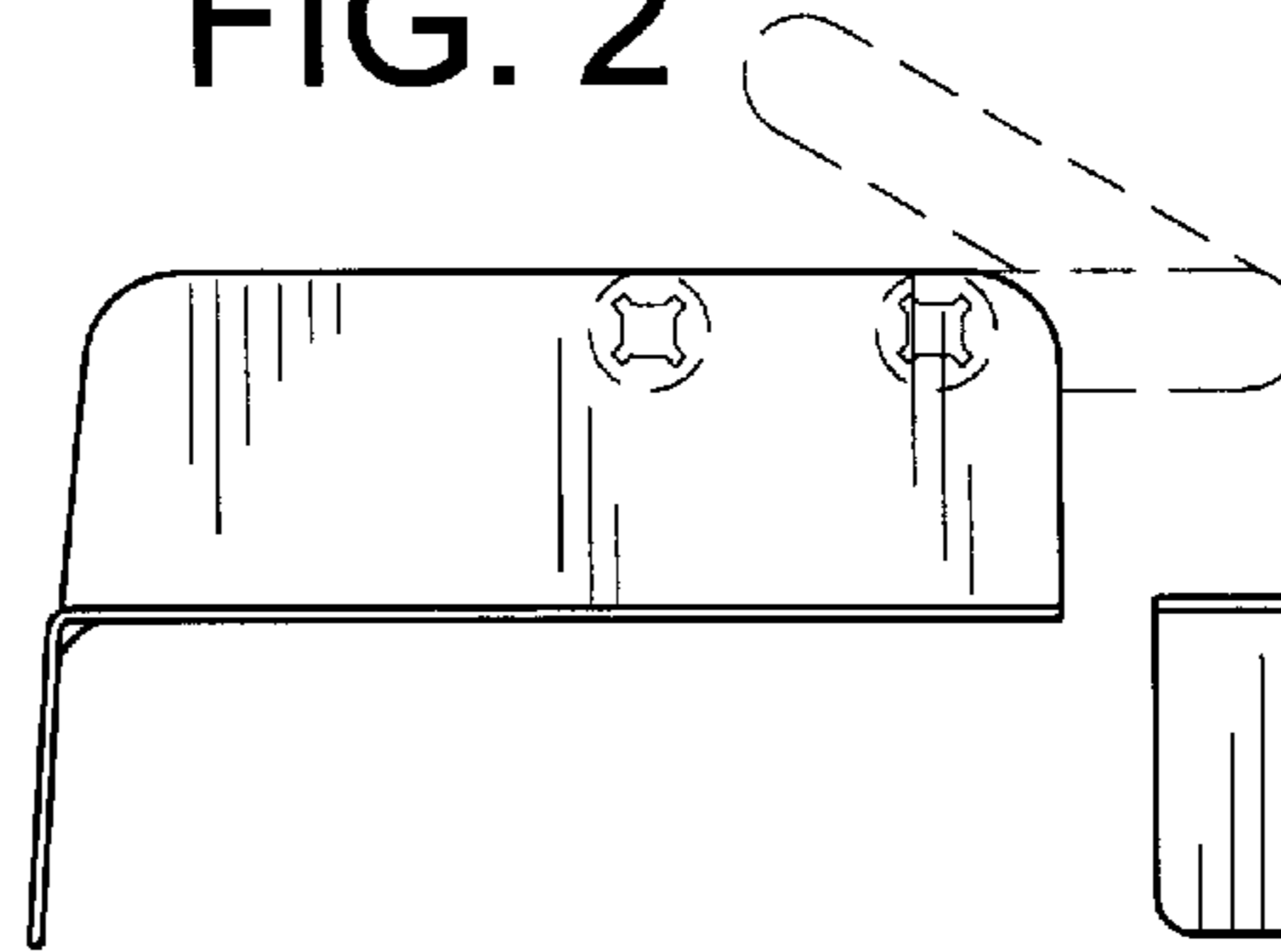


FIG. 6

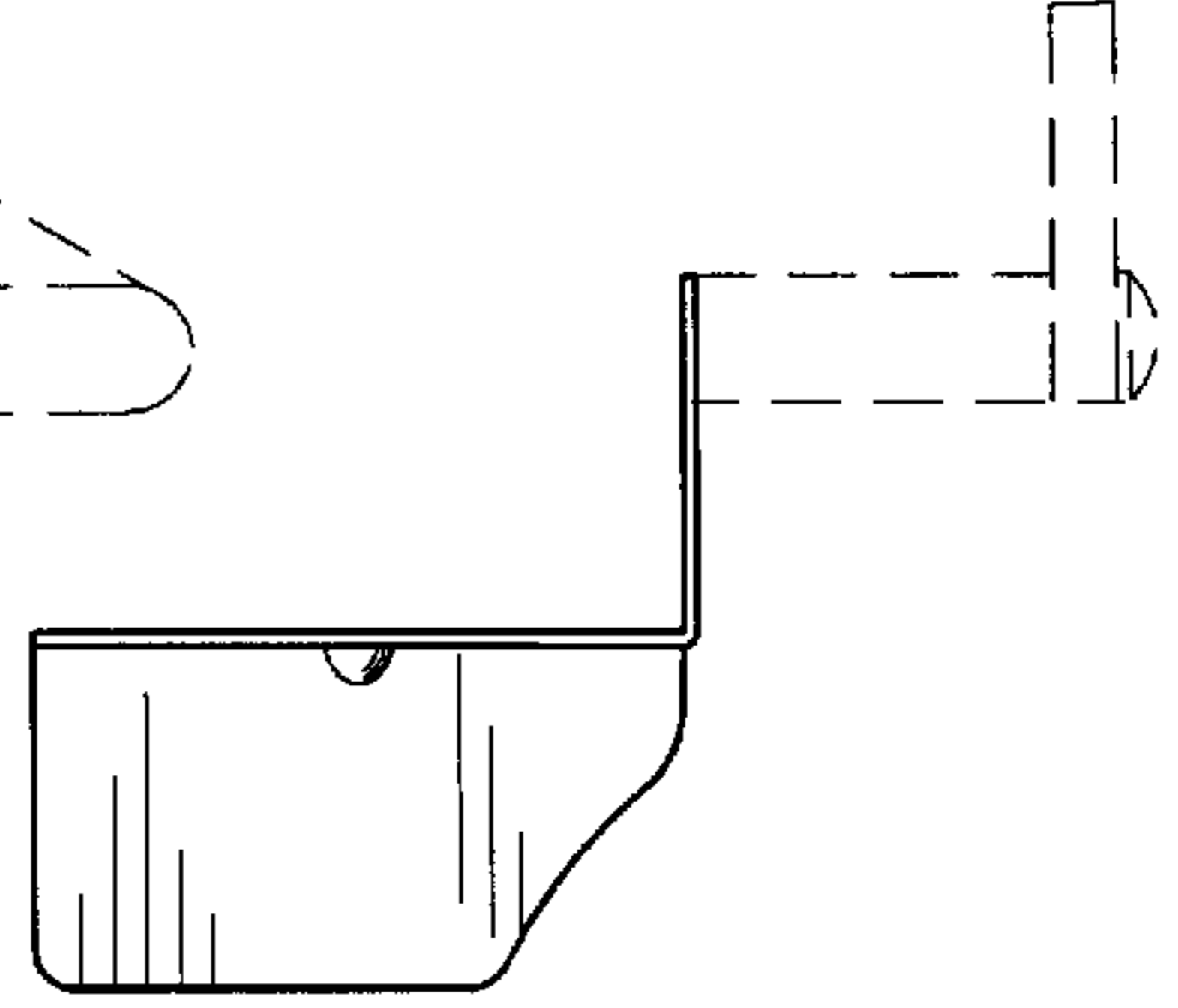


FIG. 7

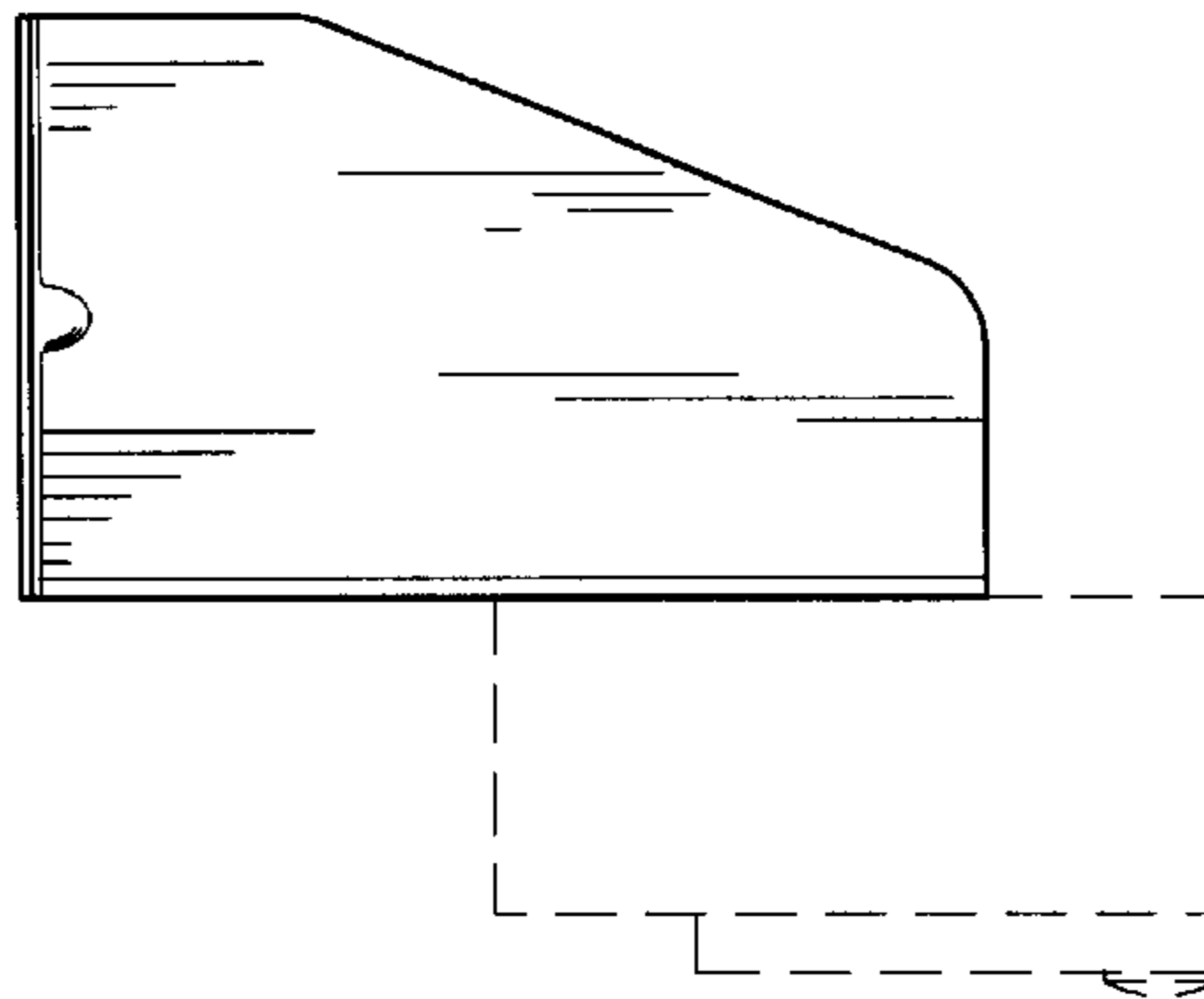


FIG. 8

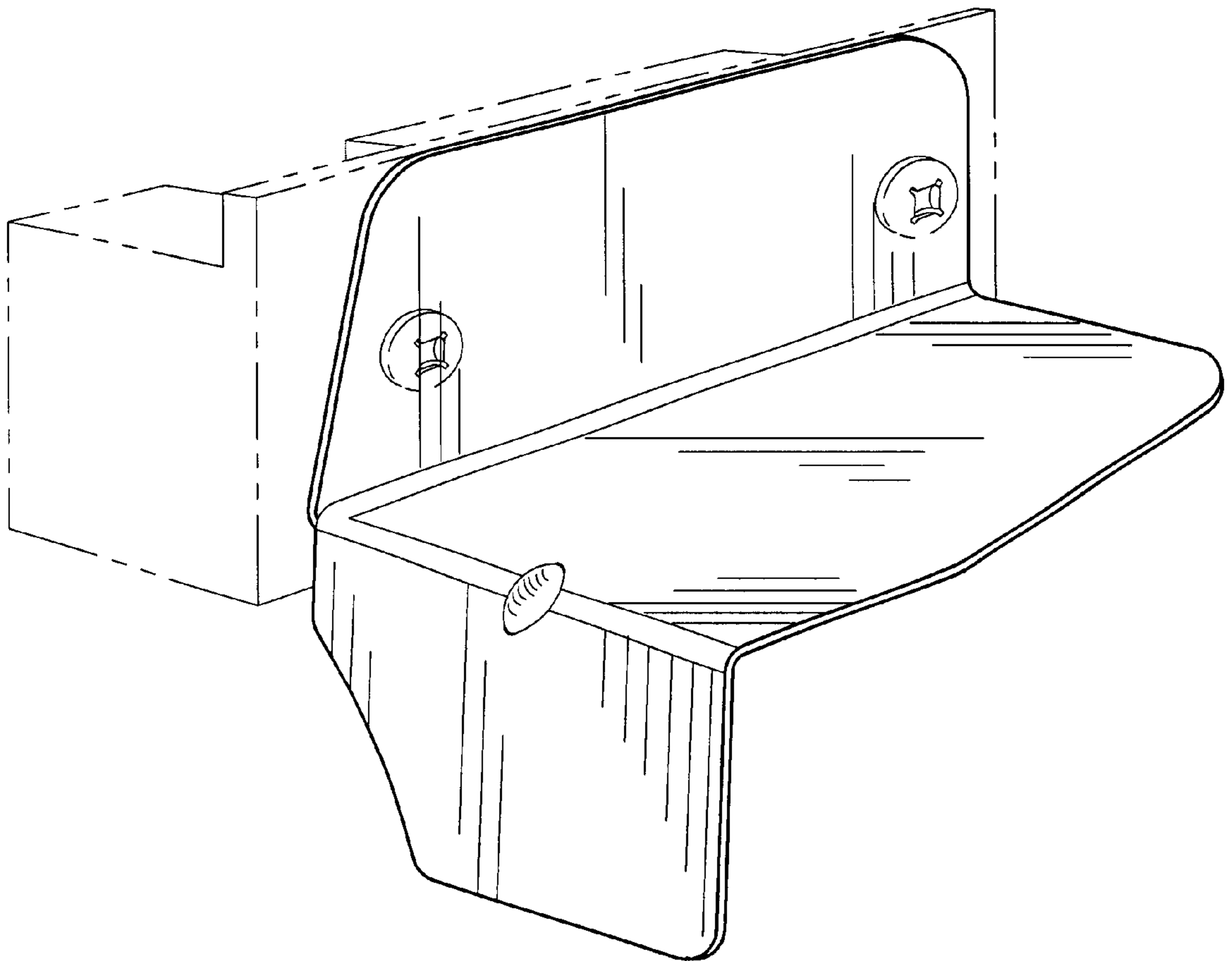


FIG. 10



FIG. 11

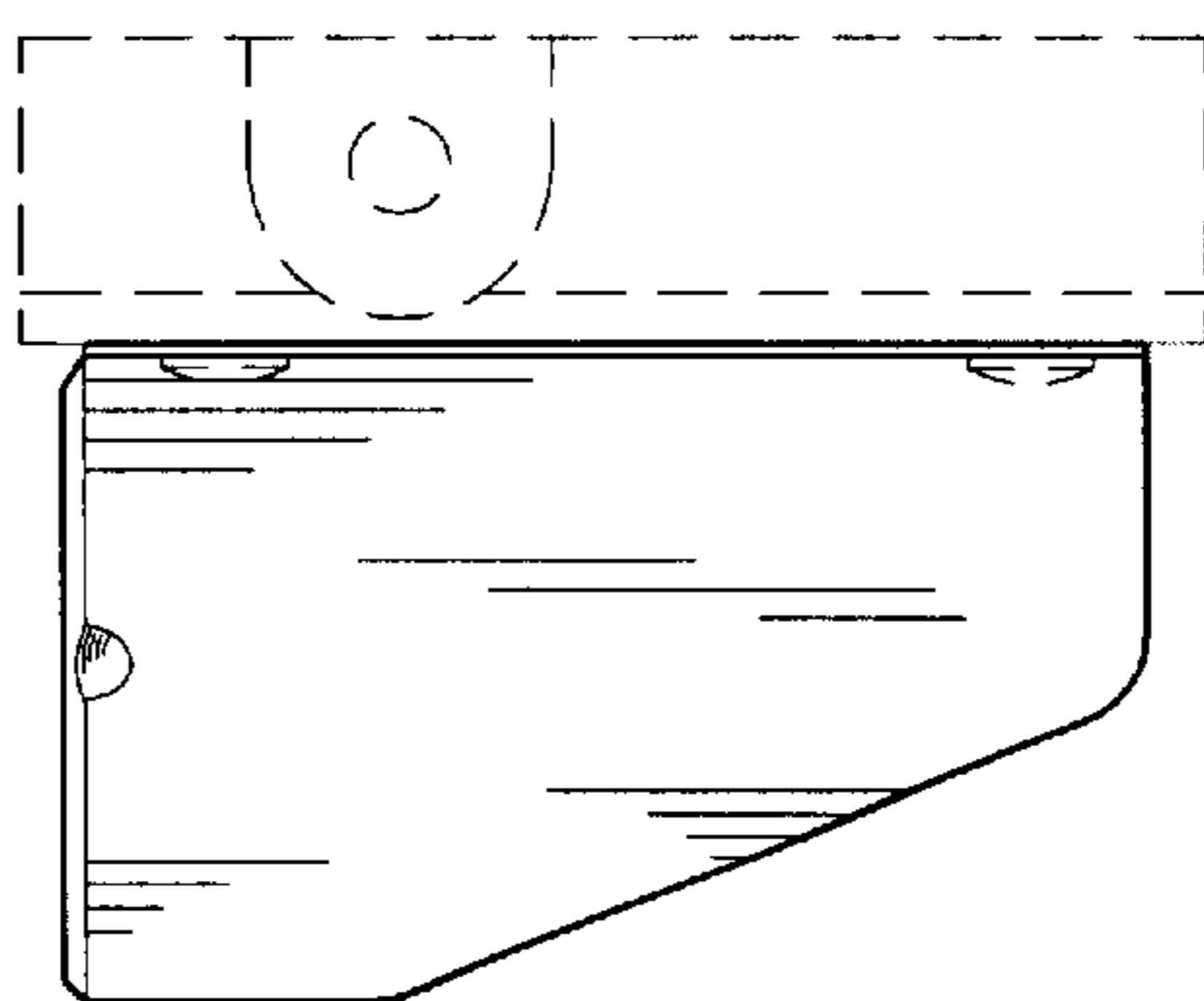


FIG. 12

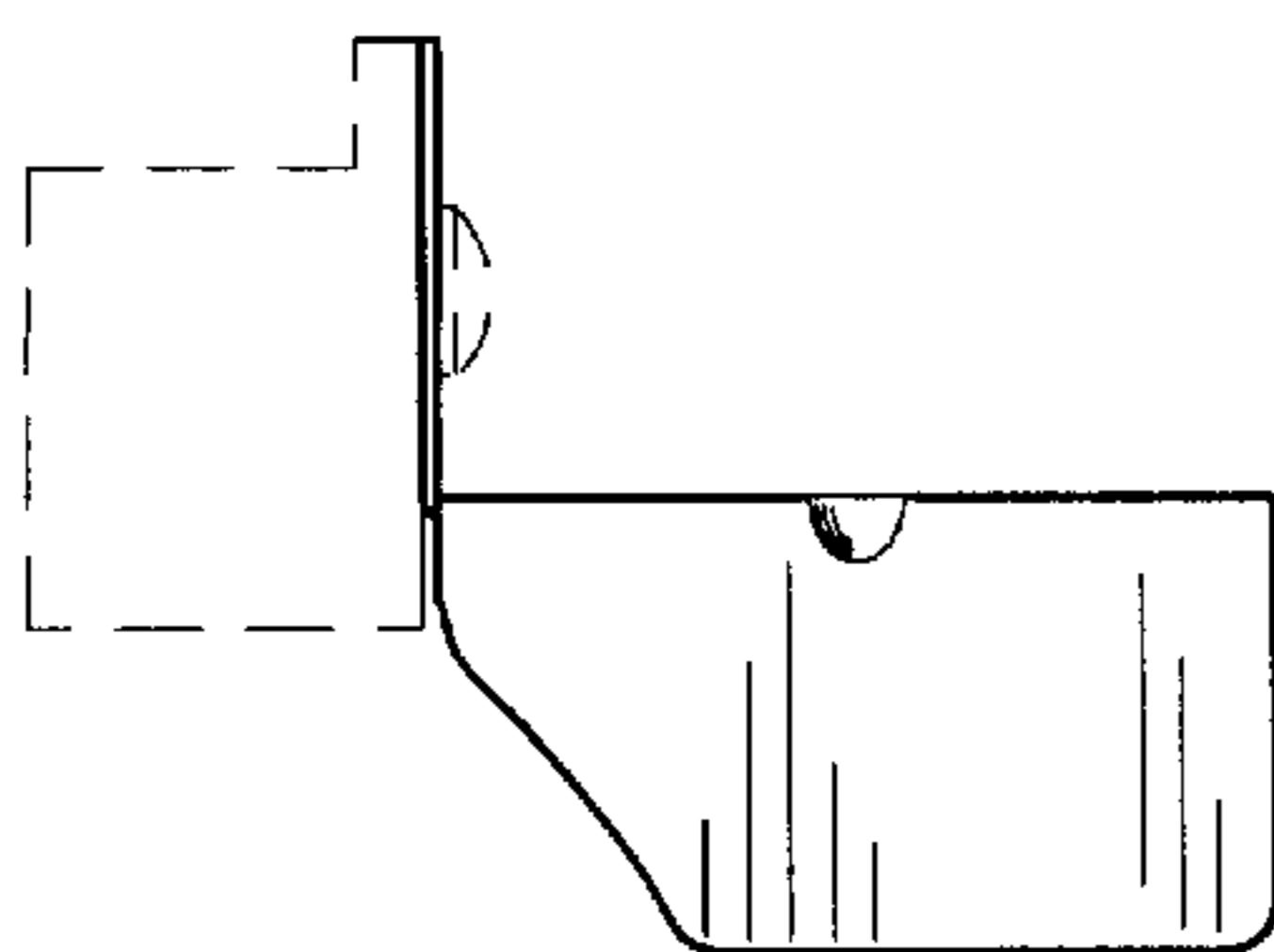


FIG. 9

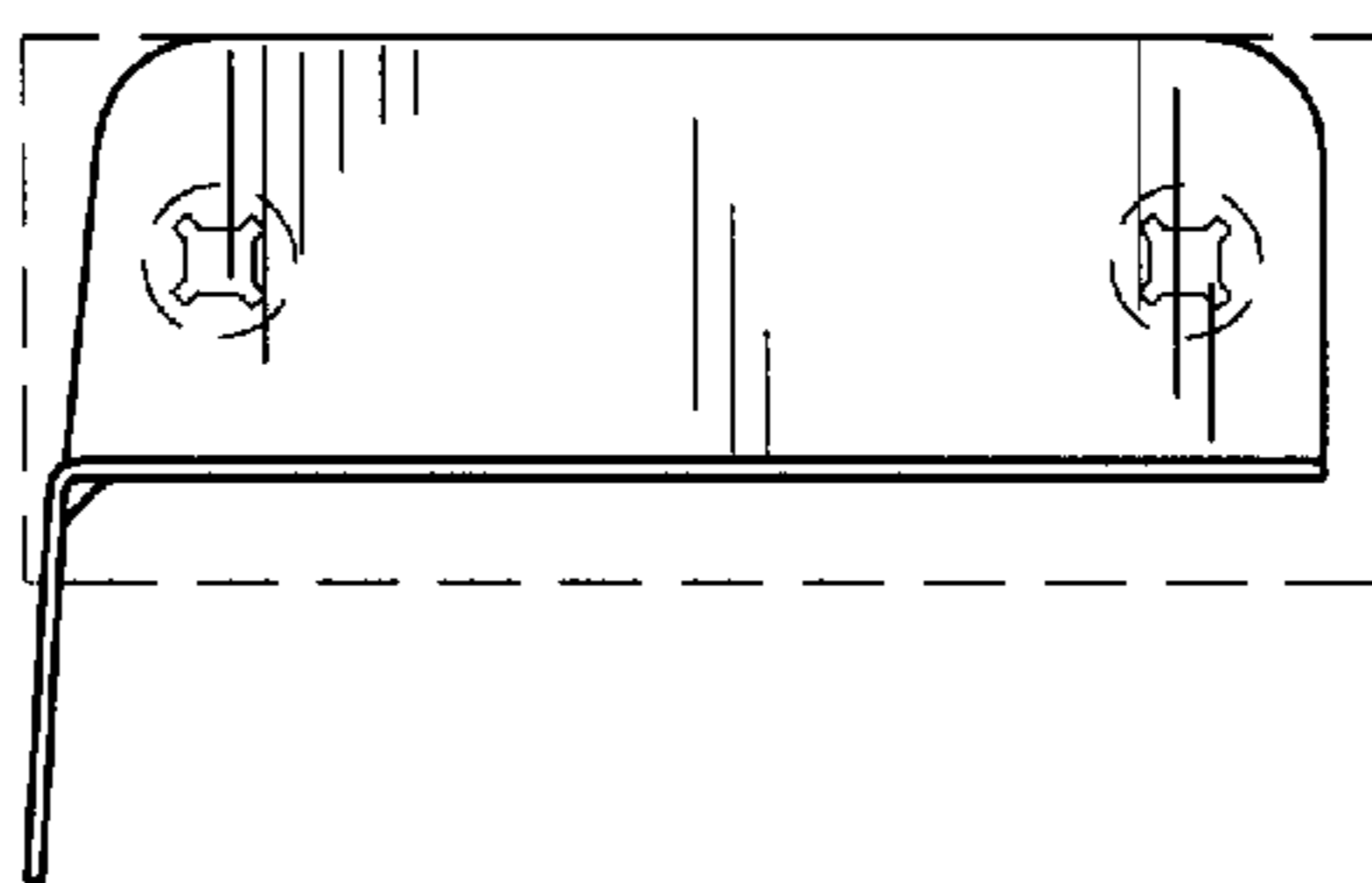


FIG. 13

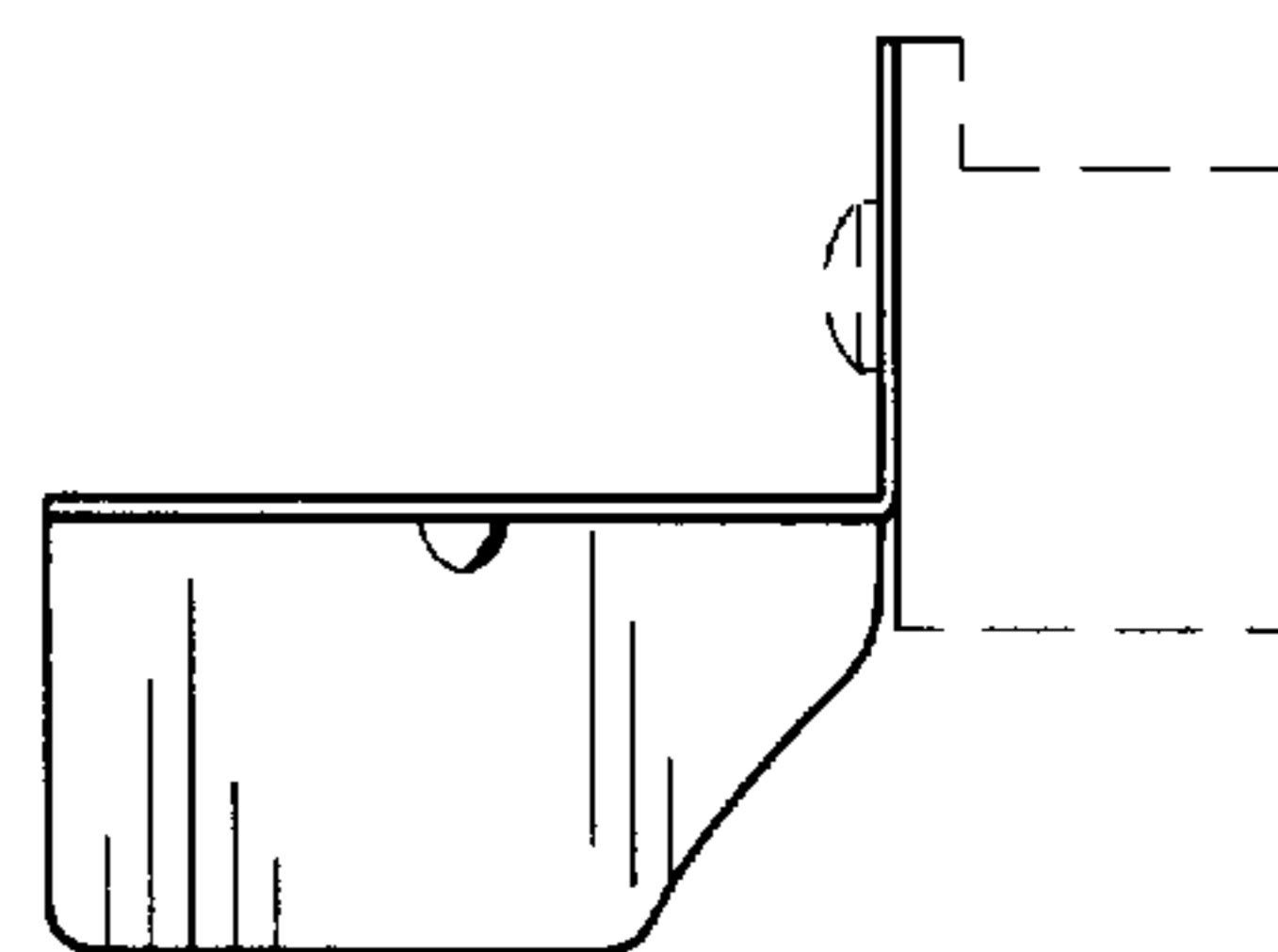


FIG. 14

