



US00D482089S

(12) **United States Design Patent**
Burrows

(10) **Patent No.:** **US D482,089 S**

(45) **Date of Patent:** **** Nov. 11, 2003**

(54) **WOOD TYPE HEAD FOR A GOLF CLUB**

6,422,951 B1 7/2002 Burrows

(75) Inventor: **Bruce D. Burrows**, Santa Clarita, CA (US)

* cited by examiner

(73) Assignee: **Burrows Golf, Inc.**, Valencia, CA (US)

Primary Examiner—Mitchell Siegel

(**) Term: **14 Years**

(74) *Attorney, Agent, or Firm*—Kelly Bauersfeld Lowry & Kelley, LLP

(21) Appl. No.: **29/173,717**

(22) Filed: **Jan. 2, 2003**

(57) **CLAIM**

The ornamental design for a wood type head for a golf club, as shown and described.

(51) **LOC (7) Cl.** **21-02**

(52) **U.S. Cl.** **D21/752**

(58) **Field of Search** D21/733, 752;
473/324–331, 345, 346

DESCRIPTION

FIG. 1 is a perspective view showing the bottom, front and toe end sides of a wood type head for a golf club embodying the new design;

FIG. 2 is a front elevational view thereof;

FIG. 3 is a toe end elevational view thereof;

FIG. 4 is a heel end elevational view thereof;

FIG. 5 is a rear elevational view thereof;

FIG. 6 is a top plan view thereof;

FIG. 7 is a bottom plan view thereof;

FIG. 8 is a perspective view showing the bottom, front and toe end sides of a second embodiment of a wood type head for a golf club embodying the new design;

FIG. 9 is a toe end elevational view of a wood type golf club head in accordance with a second embodiment of the new design; and,

FIG. 10 is a bottom plan view of the embodiment of FIG. 9. The undisclosed sides of the second embodiment are identical to those shown of the first embodiment.

The broken line showings of a fragmented golf club shaft and a faceplate groove pattern are for illustrative purposes only and form no part of the claimed design.

(56) **References Cited**

U.S. PATENT DOCUMENTS

4,065,133 A	*	12/1977	Gordos	473/327
D266,344 S	*	9/1982	Duclos	D21/752
D344,772 S	*	3/1994	Long et al.	D21/752
D354,324 S	*	1/1995	Stites, III	D21/752
D371,815 S	*	7/1996	Kenmi	D21/752
D371,817 S	*	7/1996	Olsavsky et al.	D21/752
D382,612 S	*	8/1997	Oyer	D21/752
D385,003 S	*	10/1997	Burrows	D21/752
D390,294 S		2/1998	Burrows	
D390,295 S		2/1998	Burrows	
D392,354 S		3/1998	Burrows	
D397,749 S		9/1998	Burrows	
D401,299 S		11/1998	Burrows	
5,851,159 A		12/1998	Burrows	
D413,642 S		9/1999	Burrows	
D413,952 S	*	9/1999	Oyer	D21/752
D413,953 S		9/1999	Burrows	

1 Claim, 6 Drawing Sheets

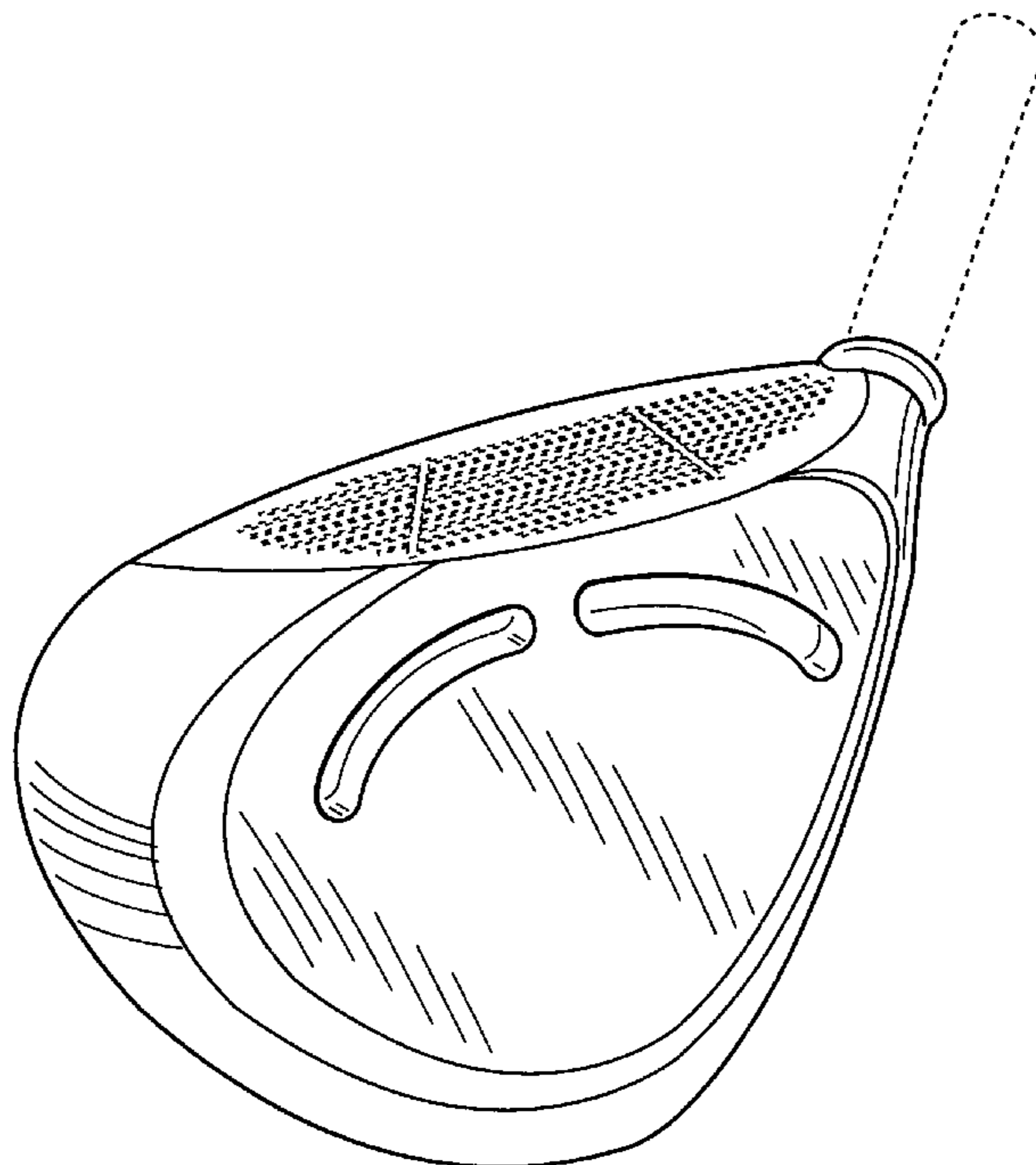


FIG. 1

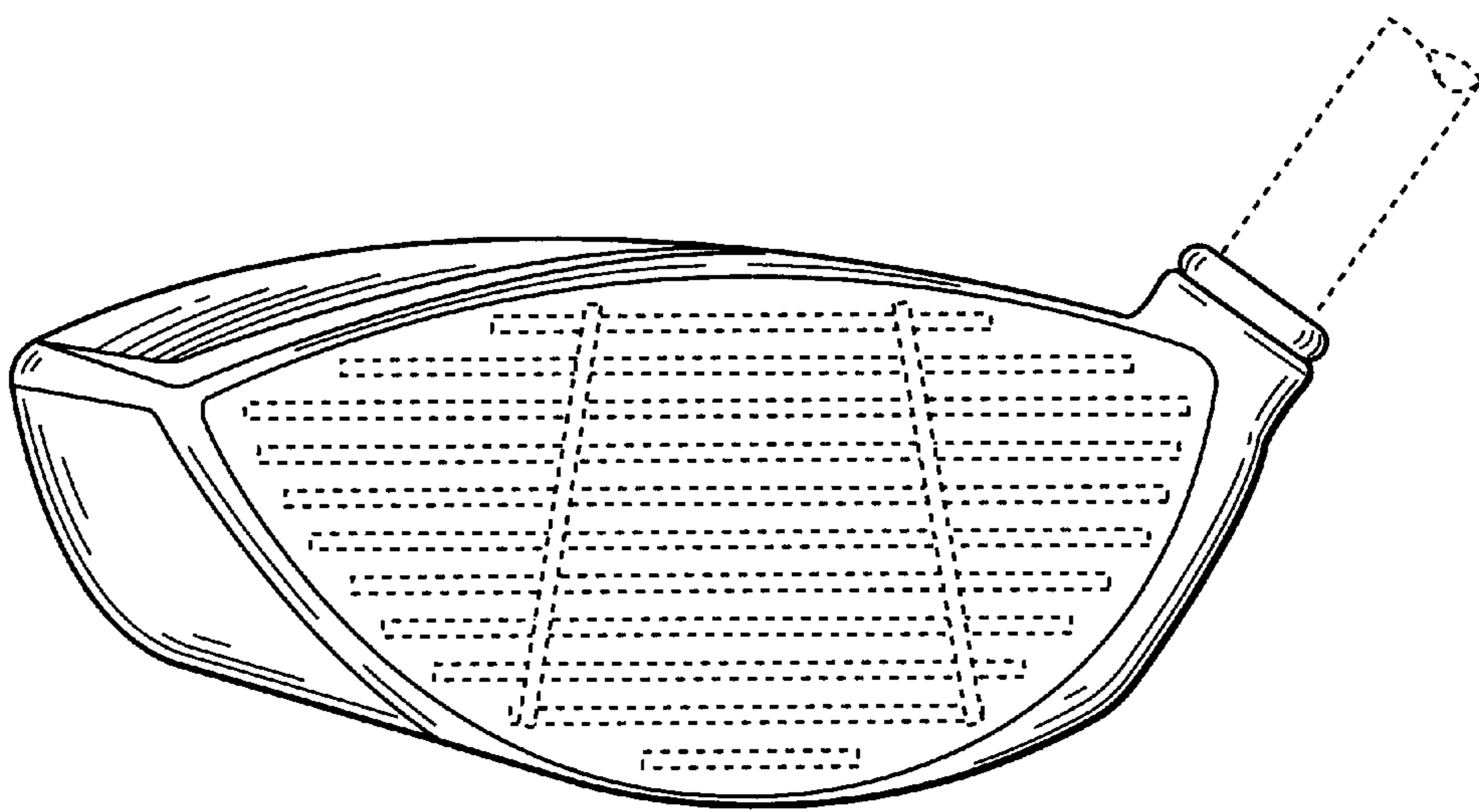
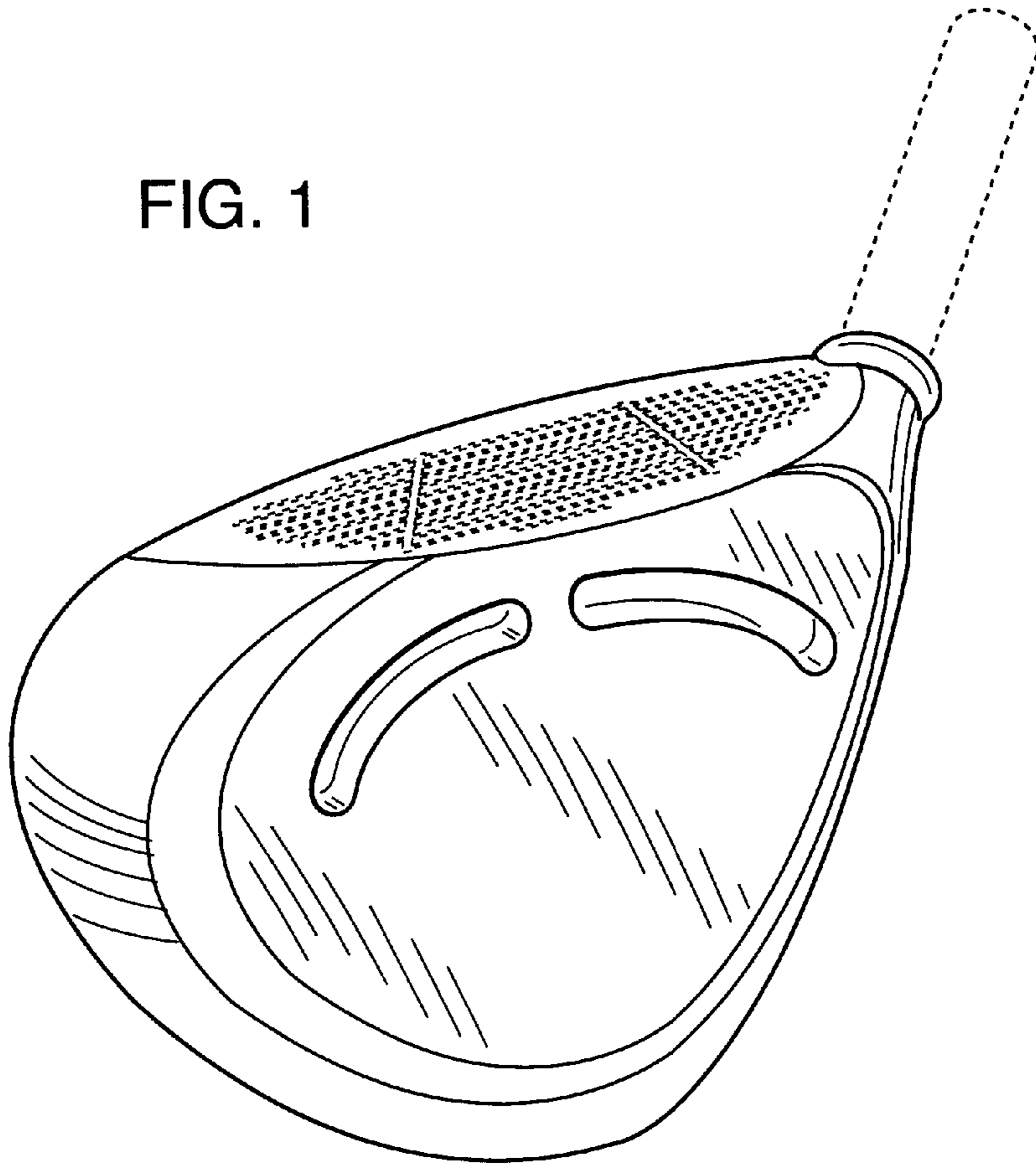


FIG. 2

FIG. 3

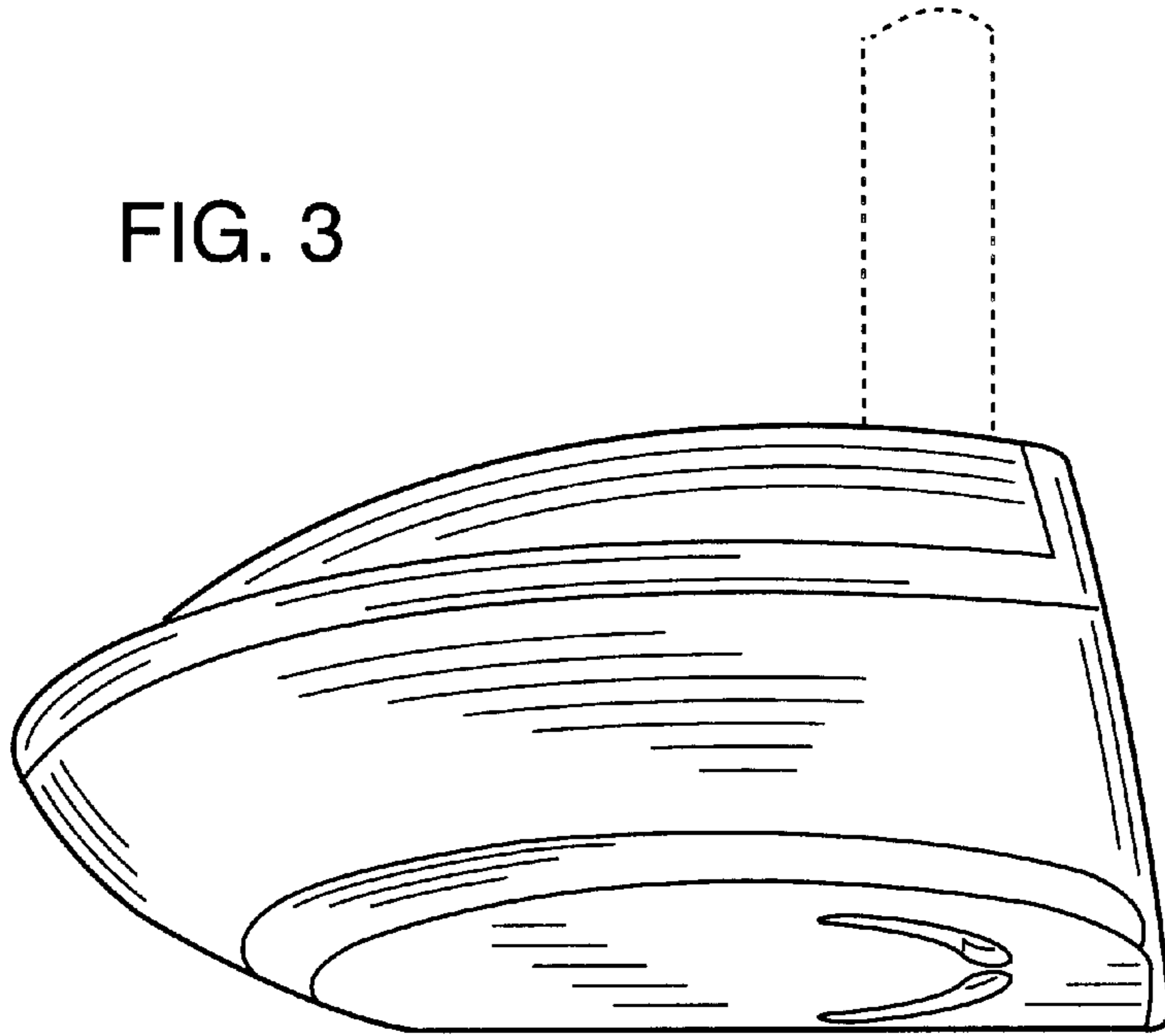
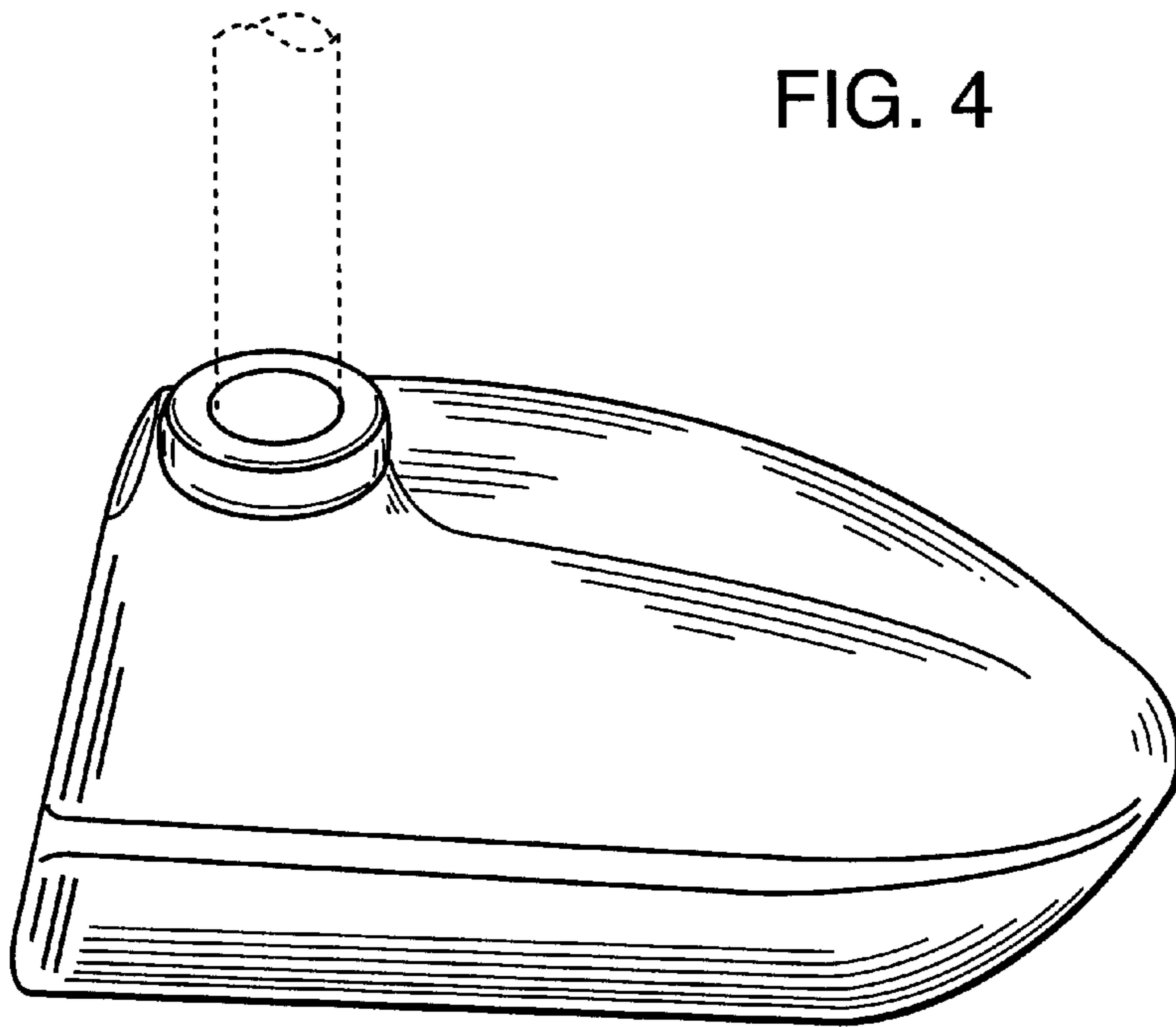


FIG. 4



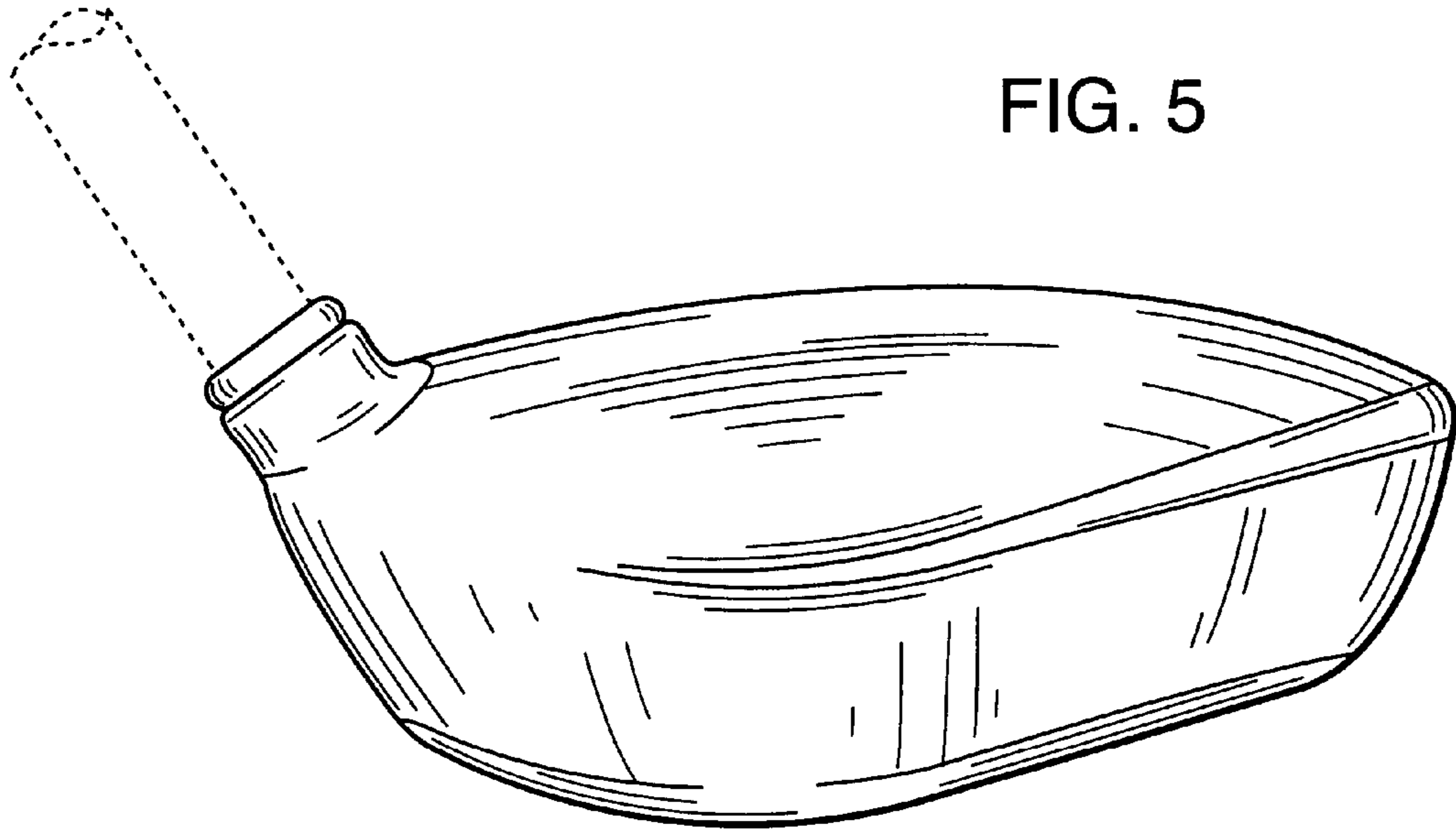


FIG. 5

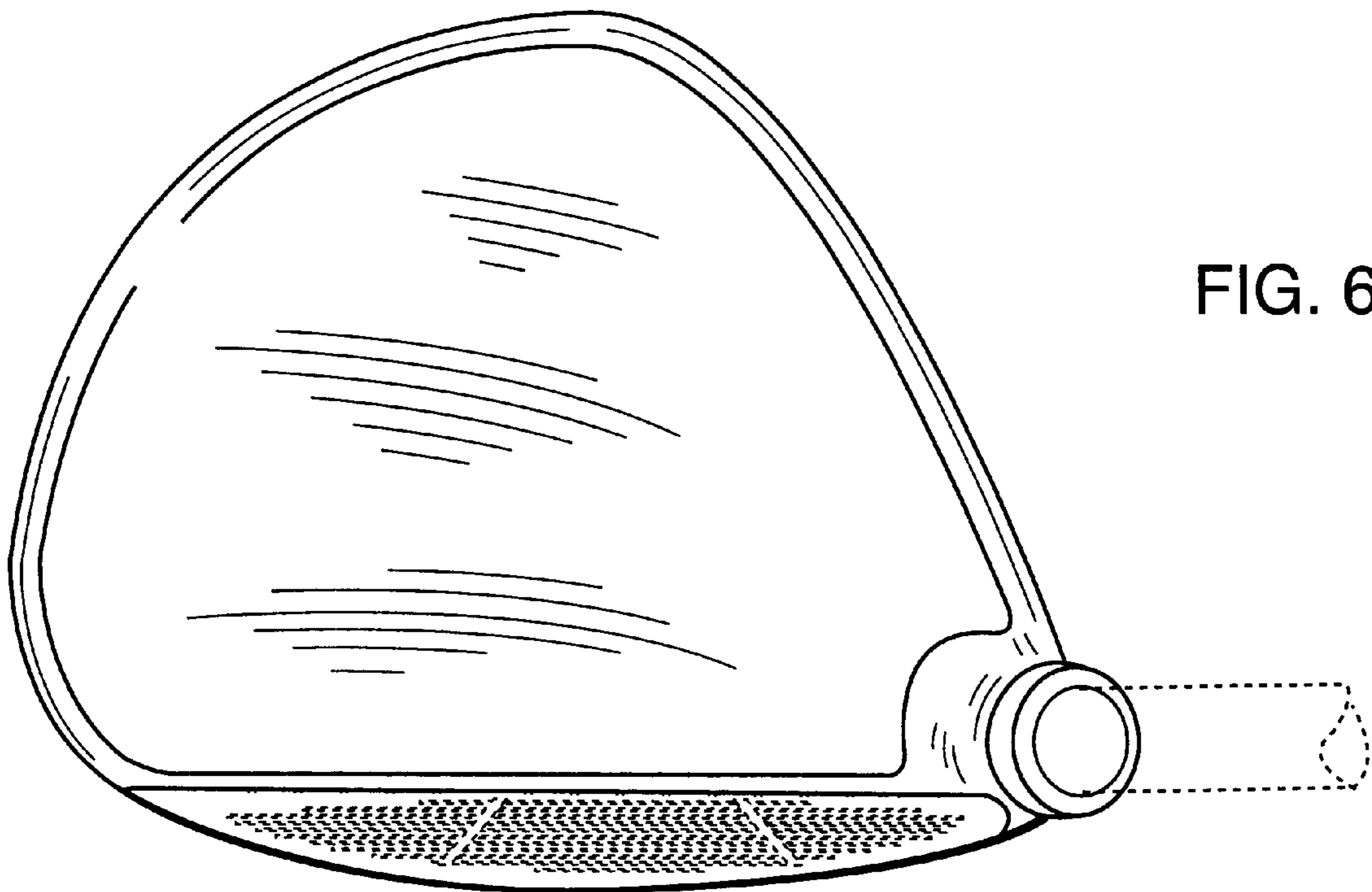


FIG. 6

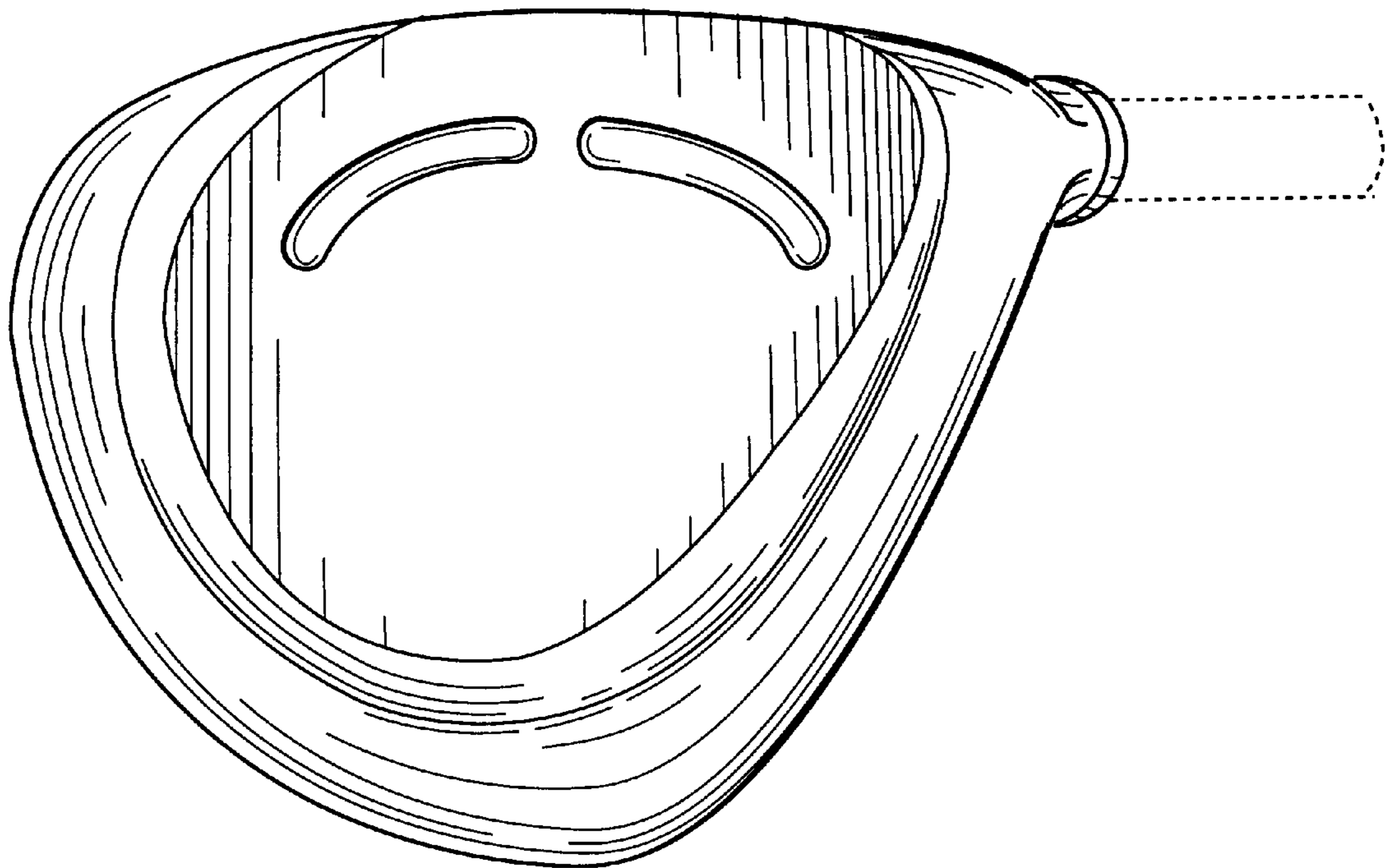


FIG. 7

FIG. 8

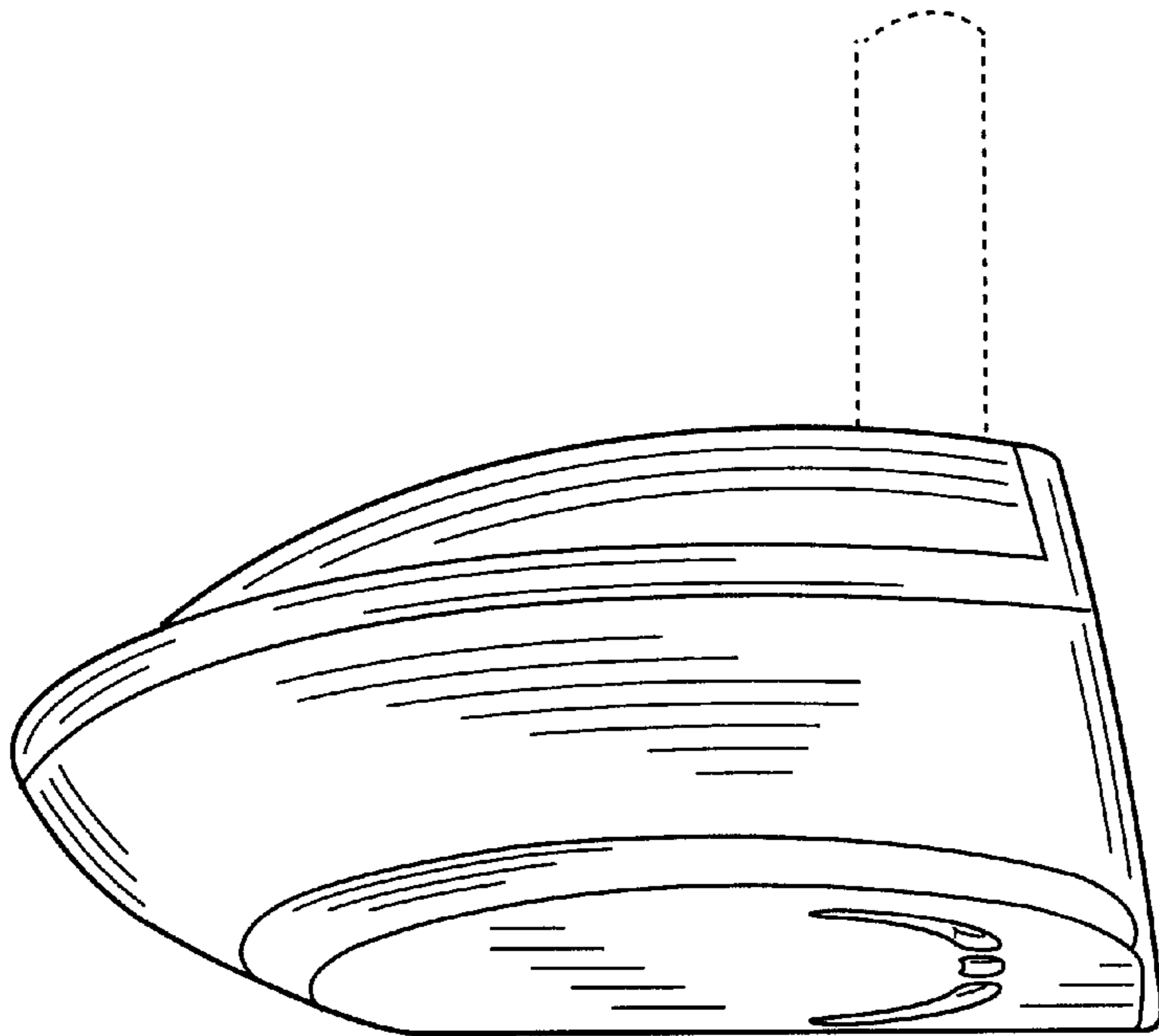
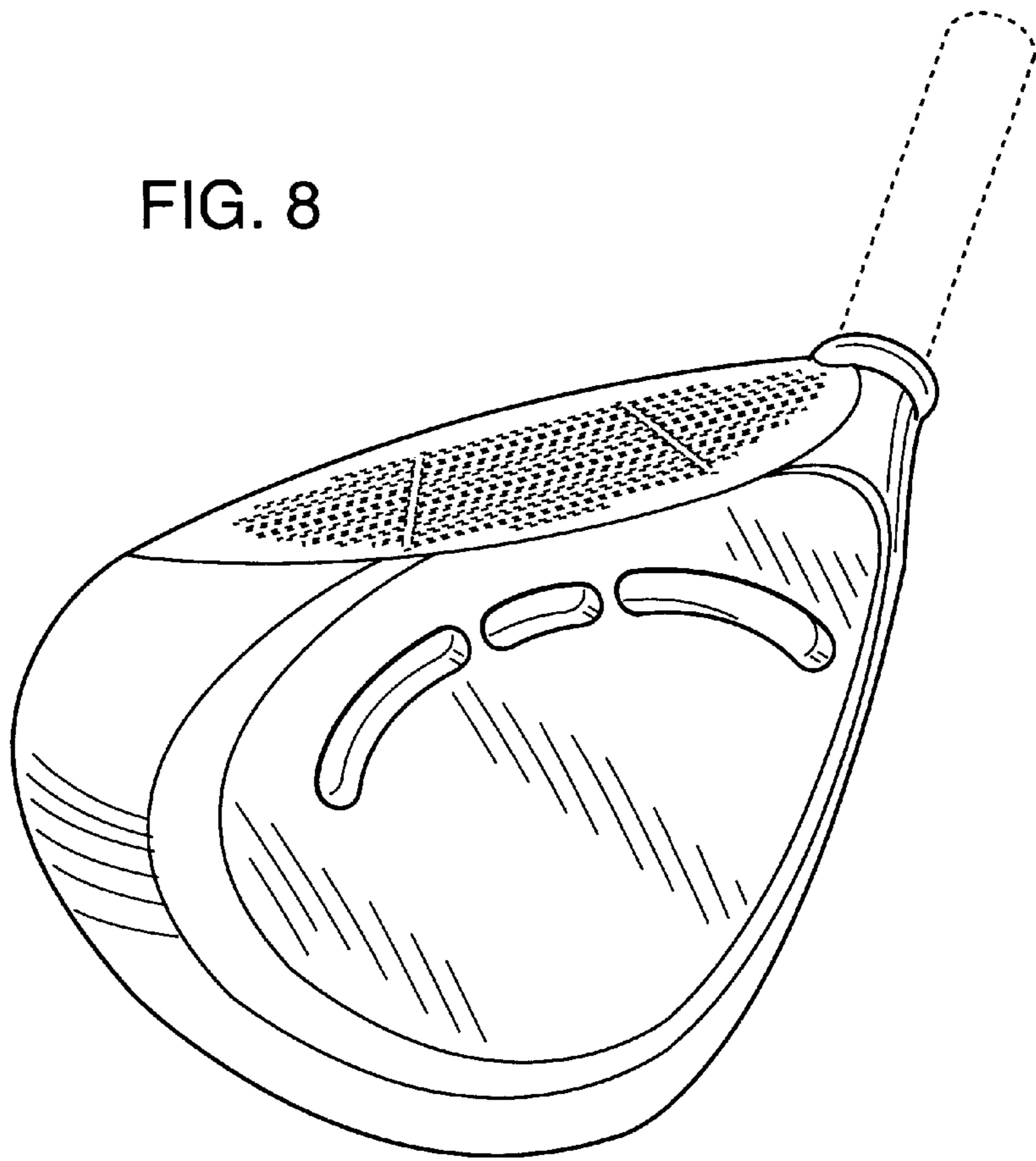


FIG. 9

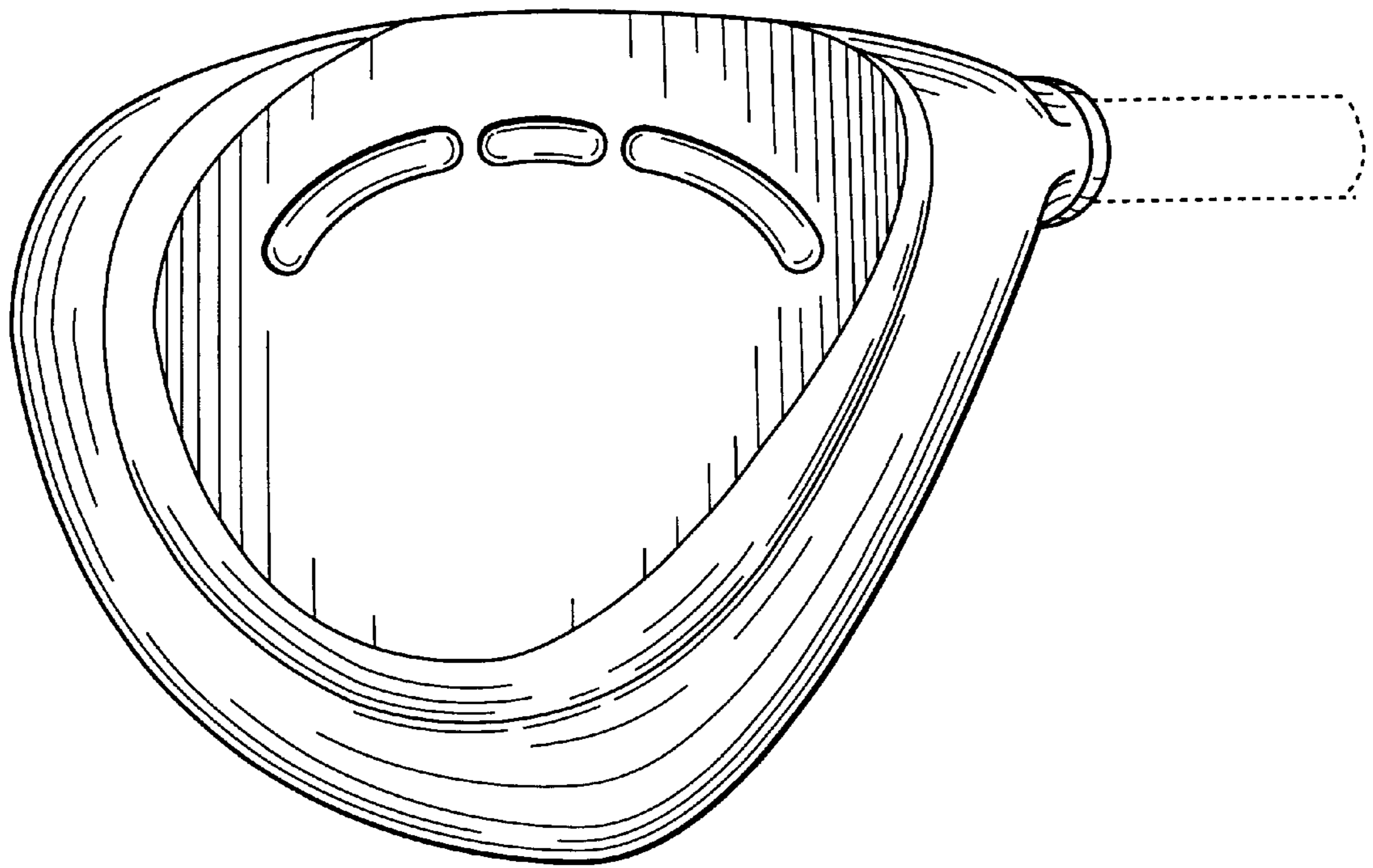


FIG. 10