



US00D482088S

(12) **United States Design Patent**  
**DeLaCruz**

(10) **Patent No.:** **US D482,088 S**

(45) **Date of Patent:** **\*\* Nov. 11, 2003**

(54) **GOLF PUTTER WITH MULTIPLE MIRROR-FINISH INSERTS**

D426,599 S \* 6/2000 Morgan et al. .... D21/743  
D441,820 S \* 5/2001 Nicolette et al. .... D21/738  
D443,906 S \* 6/2001 Hettinger et al. .... D21/743

(76) **Inventor:** **Richard DeLaCruz**, 2260 Rutherford Rd., Suite 109, Carlsbad, CA (US) 92008

\* cited by examiner

(\*\*) **Term:** **14 Years**

*Primary Examiner*—Mitchell Siegel

(74) *Attorney, Agent, or Firm*—Steven W. Webb

(21) **Appl. No.:** **29/168,217**

(22) **Filed:** **Sep. 30, 2002**

(51) **LOC (7) Cl.** ..... **21-02**

(52) **U.S. Cl.** ..... **D21/743**

(58) **Field of Search** ..... D21/736-746;  
473/324, 327-331, 340, 341, 251-256

(57) **CLAIM**

The ornamental design for a golf putter with multiple mirror-finish surface inserts in its face, as shown and described.

**DESCRIPTION**

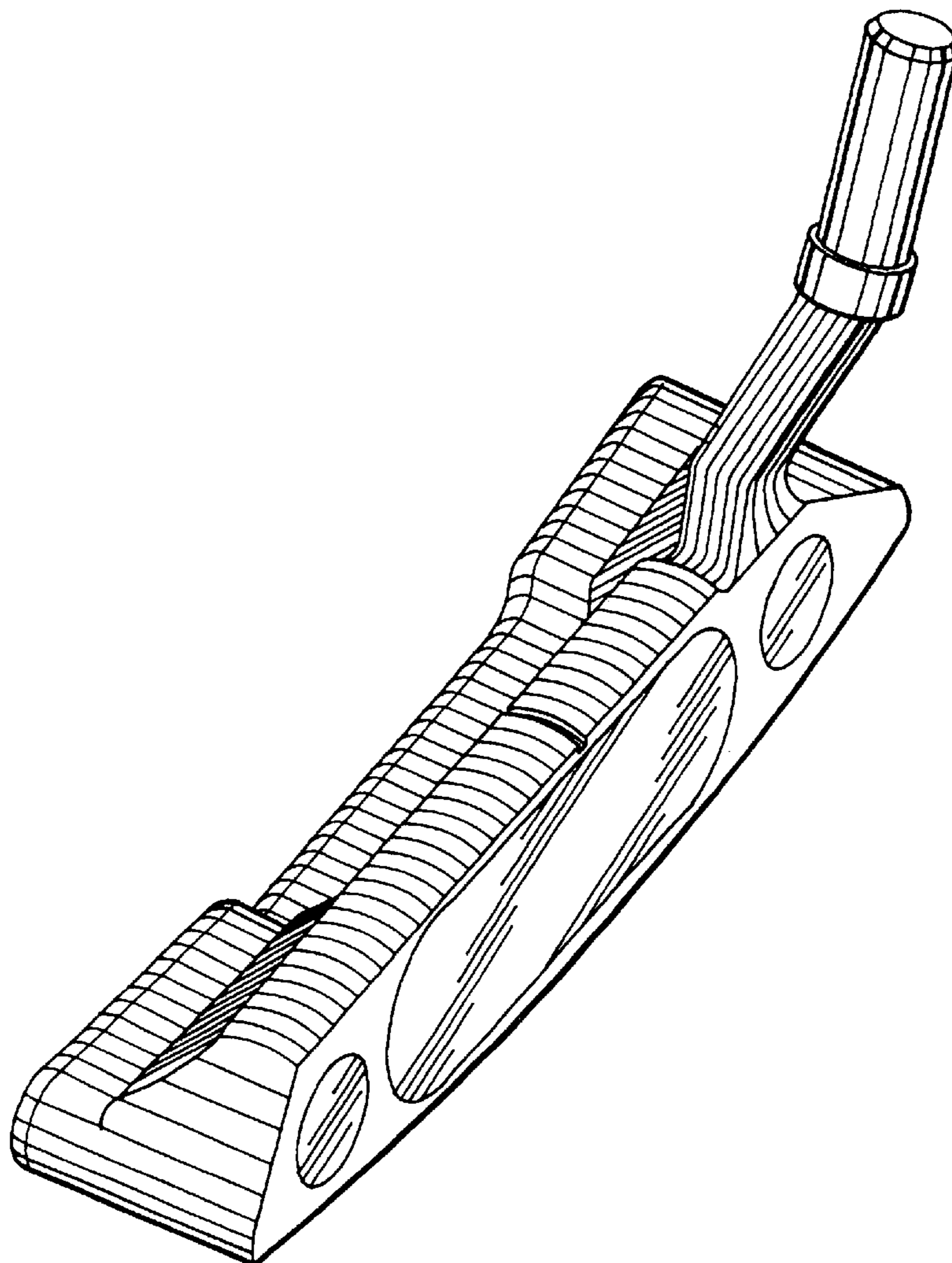
FIG. 1 is a perspective view of the golf putter.  
FIG. 2 is a face side view of the golf putter.  
FIG. 3 is a top view of the golf putter.  
FIG. 4 is a back side view of the golf putter.  
FIG. 5 is a trailing edge view of the golf putter.  
FIG. 6 is a leading edge view of the golf putter; and,  
FIG. 7 is a bottom view of the golf putter.

(56) **References Cited**

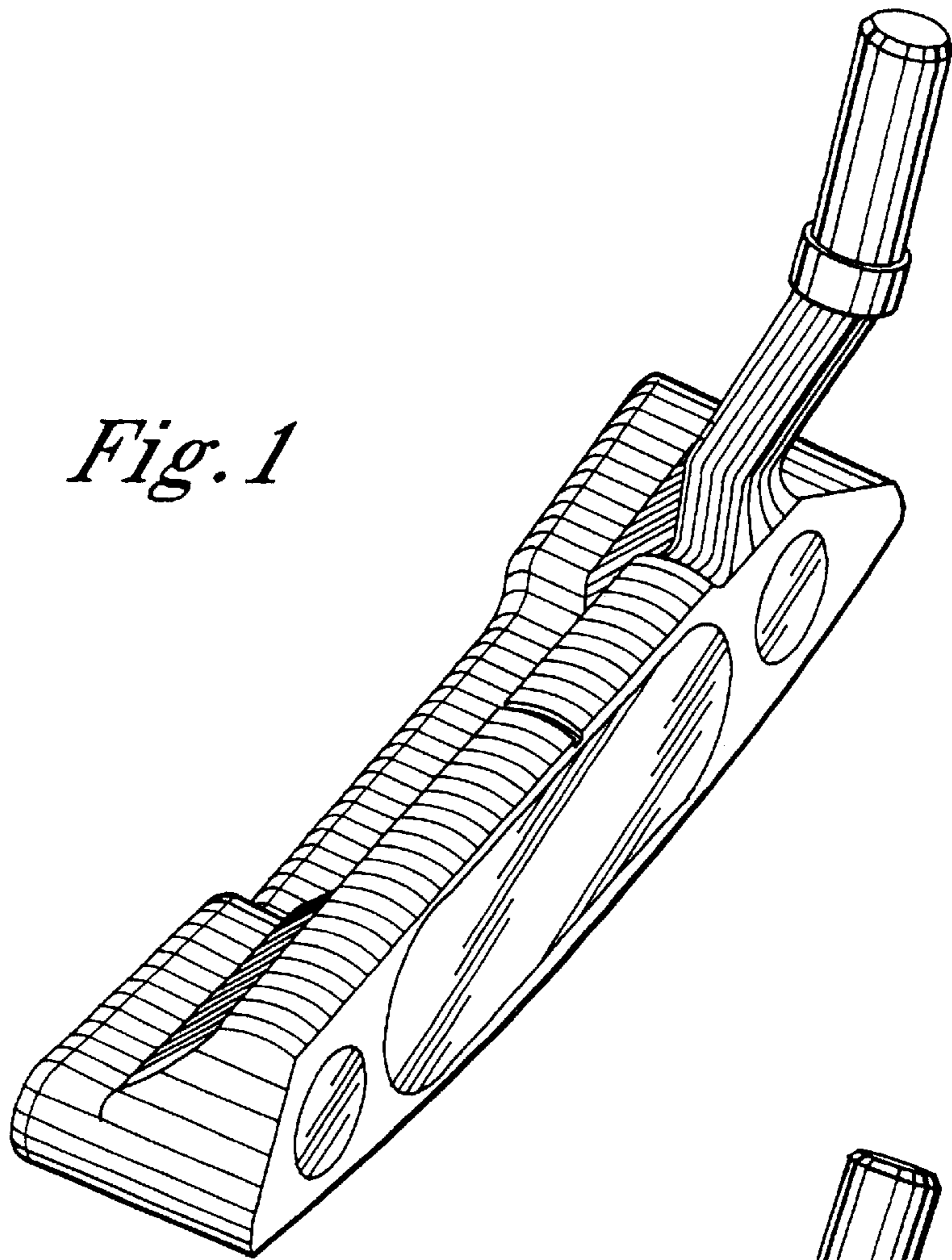
**U.S. PATENT DOCUMENTS**

D207,227 S \* 3/1967 Solheim ..... D21/739  
D389,207 S \* 1/1998 Cameron ..... D21/742  
D394,689 S \* 5/1998 Sheets ..... D21/743

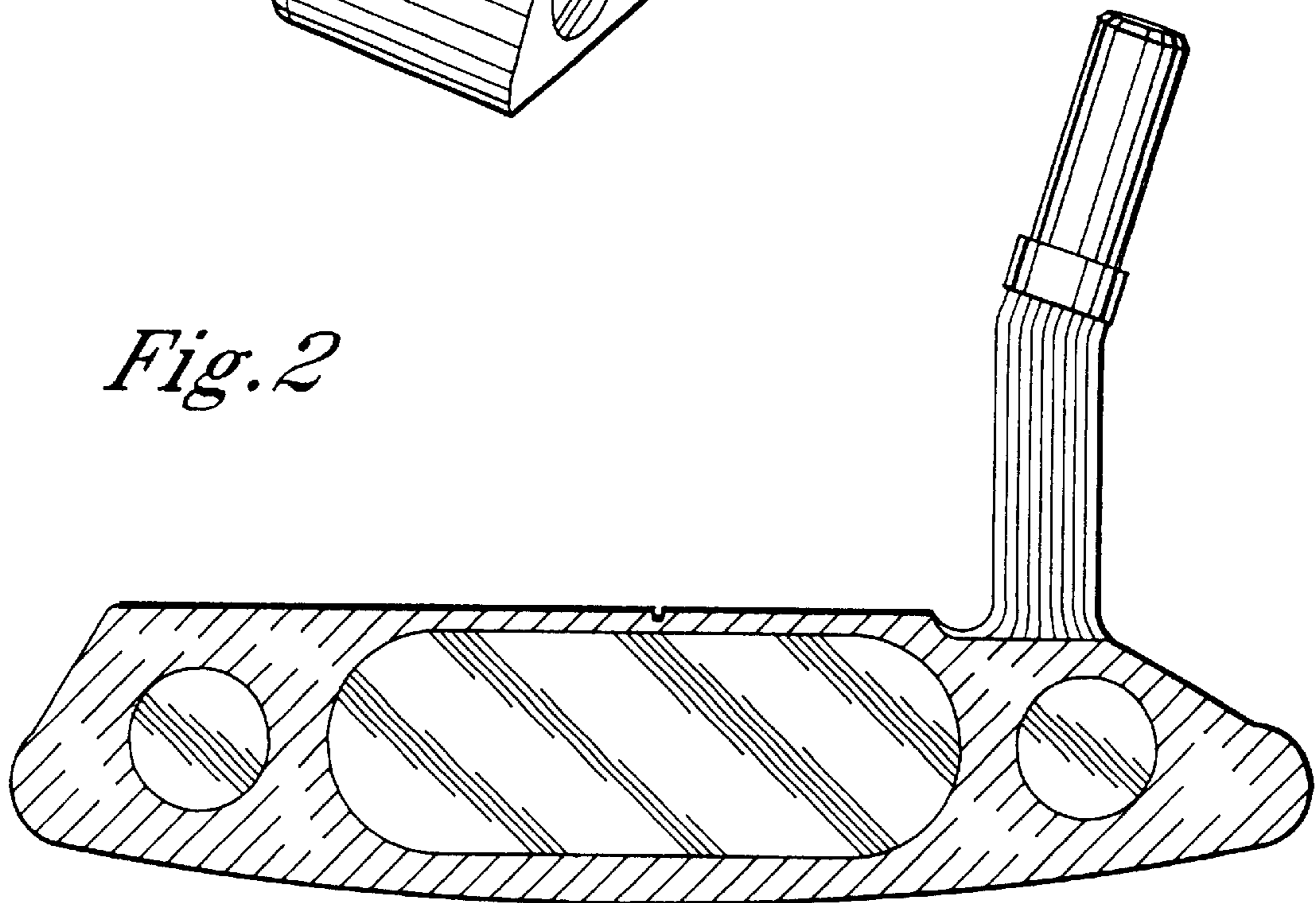
**1 Claim, 3 Drawing Sheets**



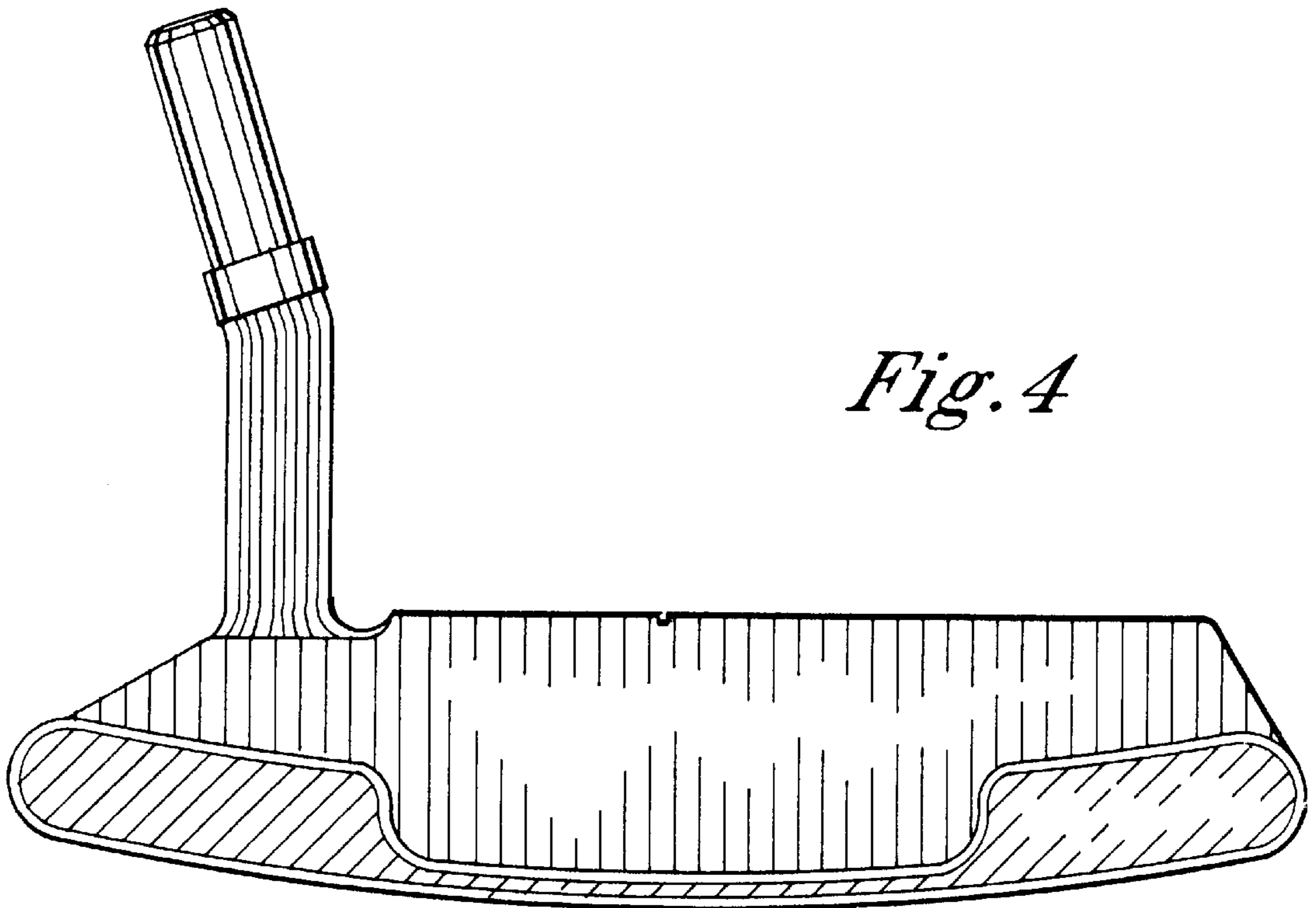
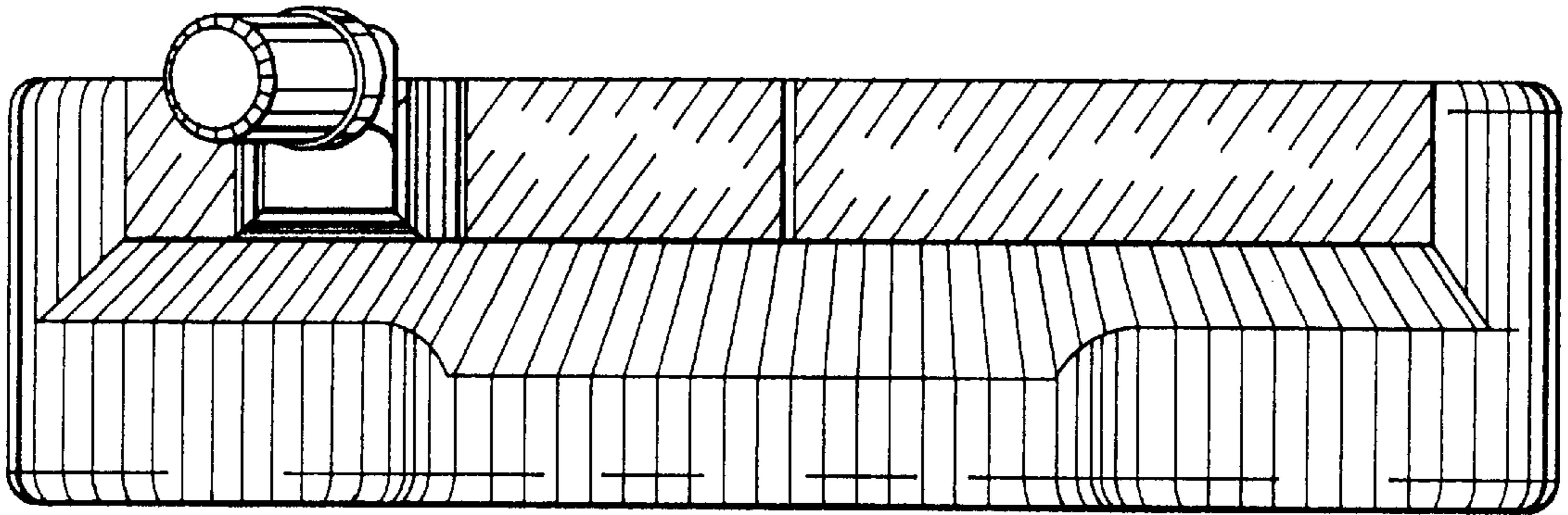
*Fig. 1*



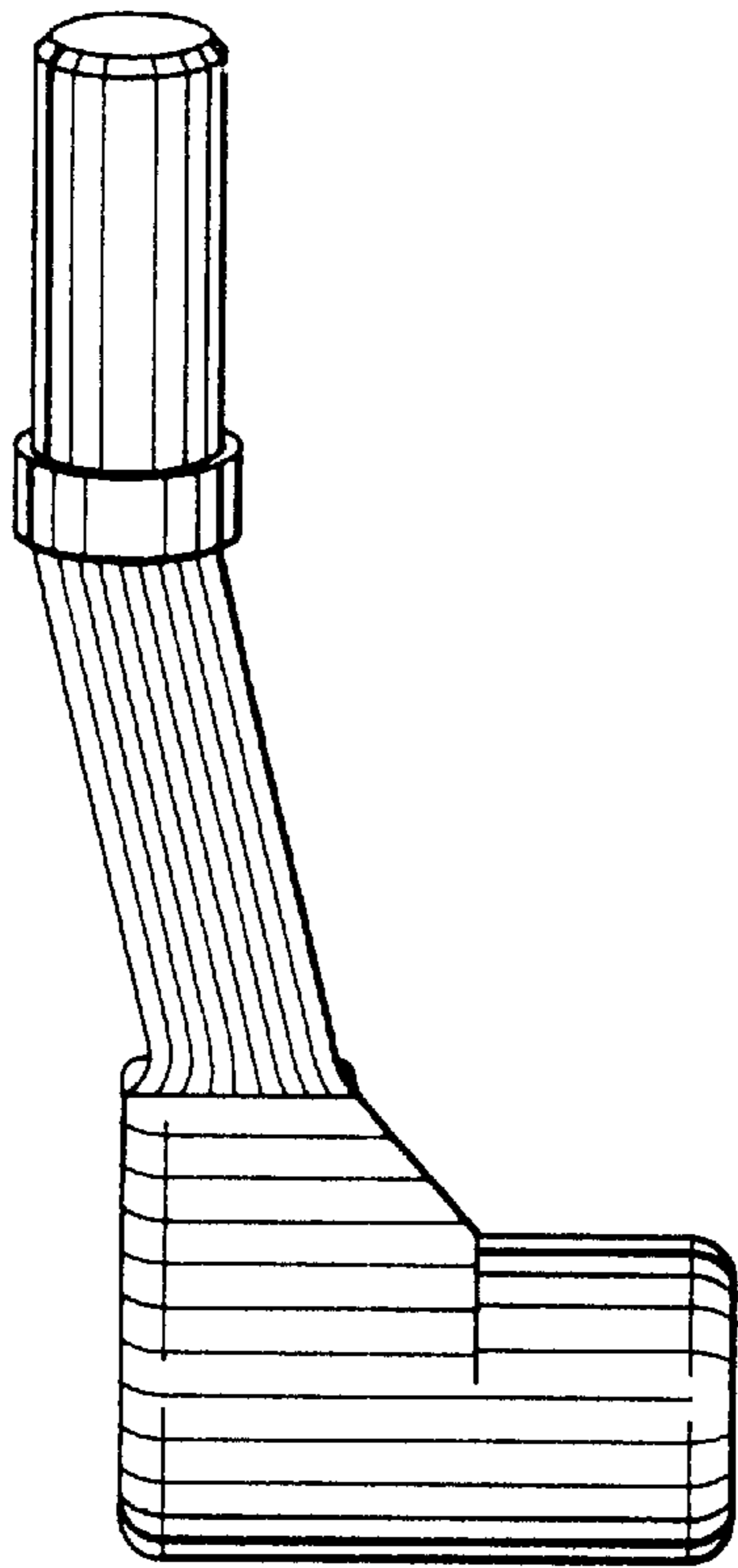
*Fig. 2*



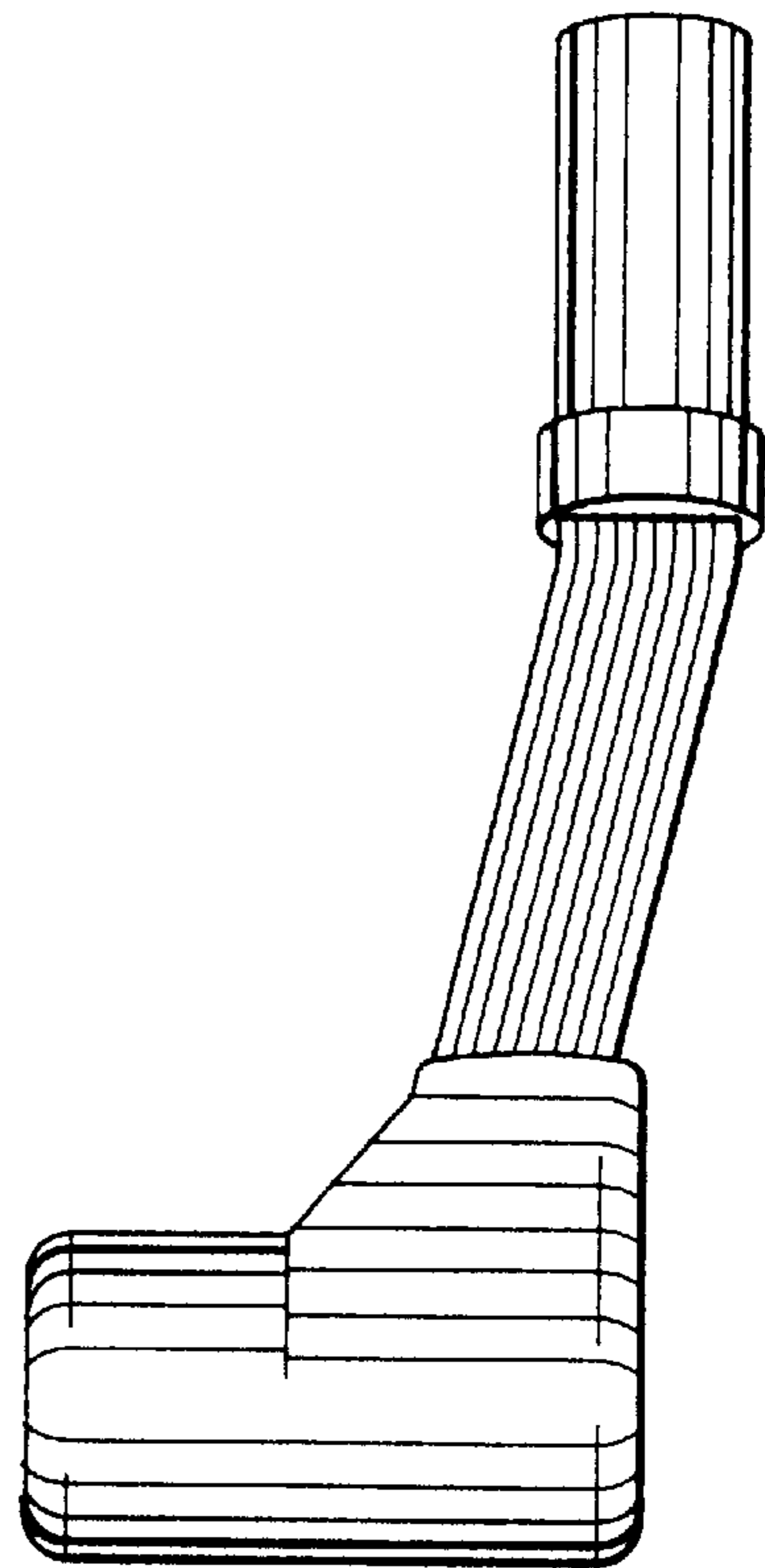
*Fig. 3*



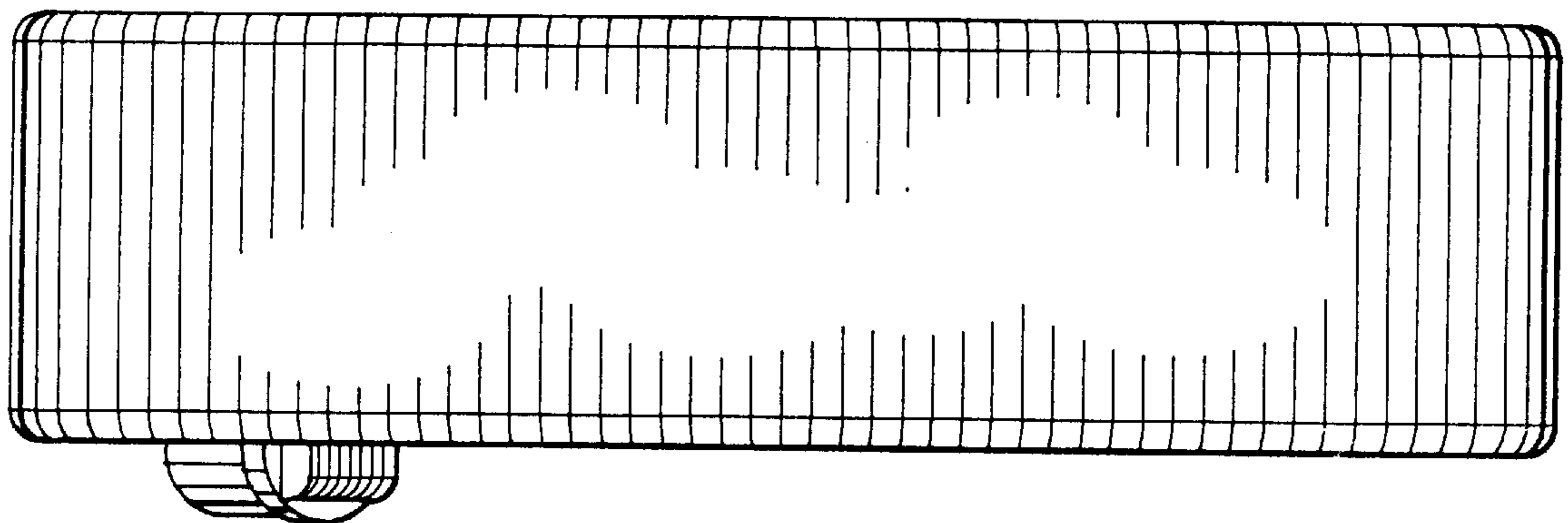
*Fig. 4*



*Fig. 5*



*Fig. 6*



*Fig. 7*