



US00D482081S

(12) **United States Design Patent**  
**Chang**

(10) **Patent No.:** **US D482,081 S**

(45) **Date of Patent:** **\*\* Nov. 11, 2003**

(54) **PAINTBALL GUN**

(75) **Inventor:** **Yong Ling Chang, Ta-Lin Chen (TW)**

(73) **Assignee:** **Kingman International Corporation,**  
Baldwin Park, CA (US)

(\*\*) **Term:** **14 Years**

(21) **Appl. No.:** **29/177,622**

(22) **Filed:** **Mar. 12, 2003**

(51) **LOC (7) Cl. .... 21-01**

(52) **U.S. Cl. .... D21/573; D21/570; D21/574**

(58) **Field of Search .... D21/567-575;**  
D22/103-104, 107-109, 222, 224-225;  
446/180, 219, 267, 430, 473, 475; 124/5,  
25, 56, 51.1, 71-74, 77, 83; 42/54-55,  
71.02; 222/78-79; 273/310-311; 362/110-114

(56) **References Cited**

**U.S. PATENT DOCUMENTS**

- D359,529 S \* 6/1995 Nguyen ..... D21/572
- 5,503,137 A \* 4/1996 Fusco ..... 124/56
- 5,950,611 A \* 9/1999 Lopez et al. .... 124/72
- 5,954,042 A \* 9/1999 Harvey ..... 124/51.1
- D451,977 S \* 12/2001 Urbano ..... D22/108
- 6,349,711 B1 \* 2/2002 Perry et al. .... 124/73

- 6,474,326 B1 \* 11/2002 Smith et al. .... 124/77
- 6,520,171 B2 \* 2/2003 Reible ..... 124/73
- 6,520,172 B2 \* 2/2003 Perrone ..... 124/74

**OTHER PUBLICATIONS**

Hong Kong Toys, p. 265, Feb. 1997.\*

\* cited by examiner

*Primary Examiner*—Raphael Barkai

(74) *Attorney, Agent, or Firm*—Blakely, Sokoloff, Taylor & Zafman LLP

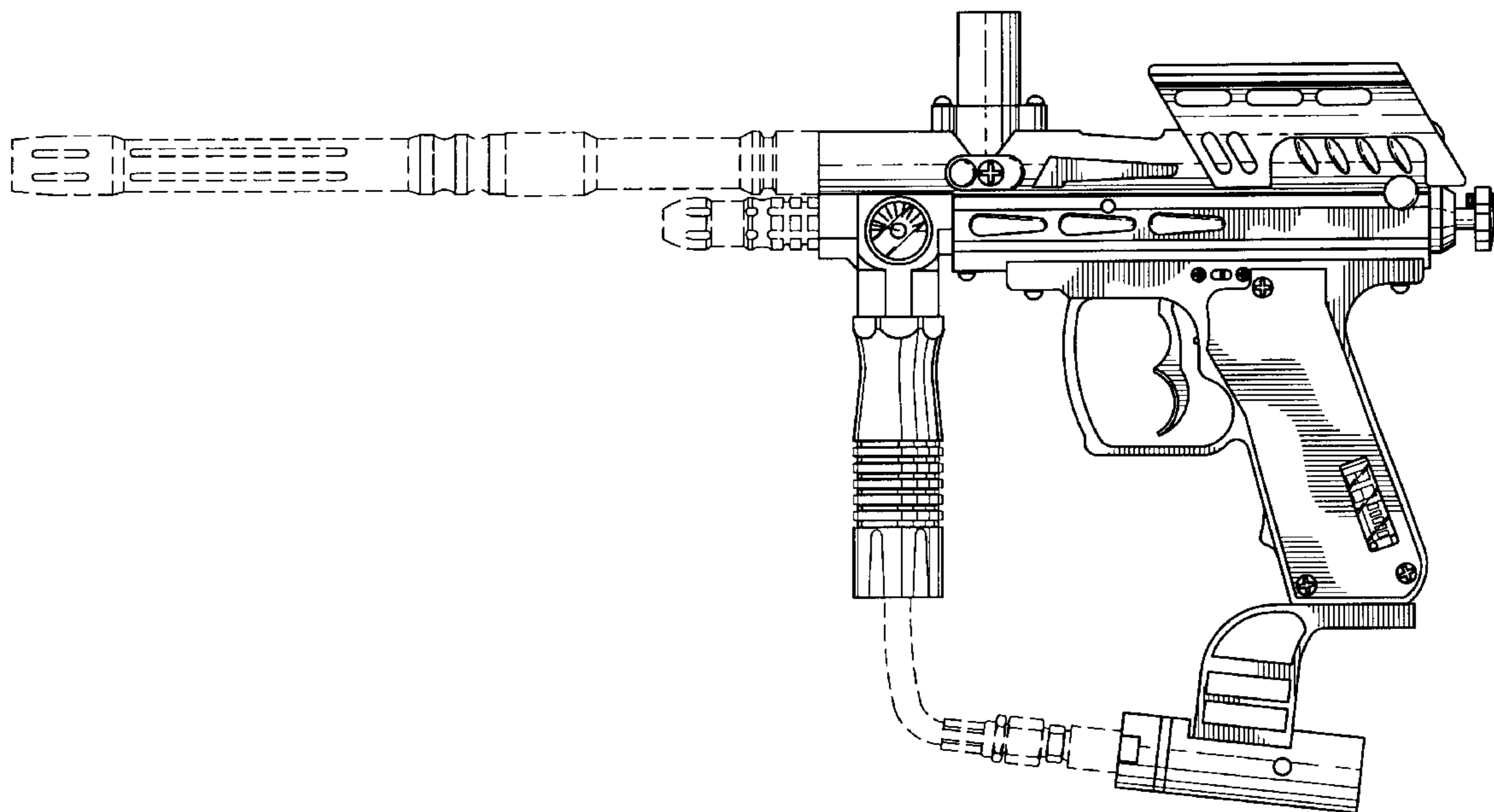
(57) **CLAIM**

The ornamental design for a paintball gun, as shown and described.

**DESCRIPTION**

FIG. 1 is a right side view of a paintball gun of the invention. FIG. 2 is a left side view of the paintball gun of FIG. 1. FIG. 3 is a front view of the paintball gun of FIG. 1. FIG. 4 is a rear view of the paintball gun of FIG. 1. FIG. 5 is a top view of the paintball gun of FIG. 1; and, FIG. 6 is a bottom view of the paintball gun of FIG. 1. The broken lines in the figures are for environmental purpose only and form no part of the claimed design.

**1 Claim, 4 Drawing Sheets**



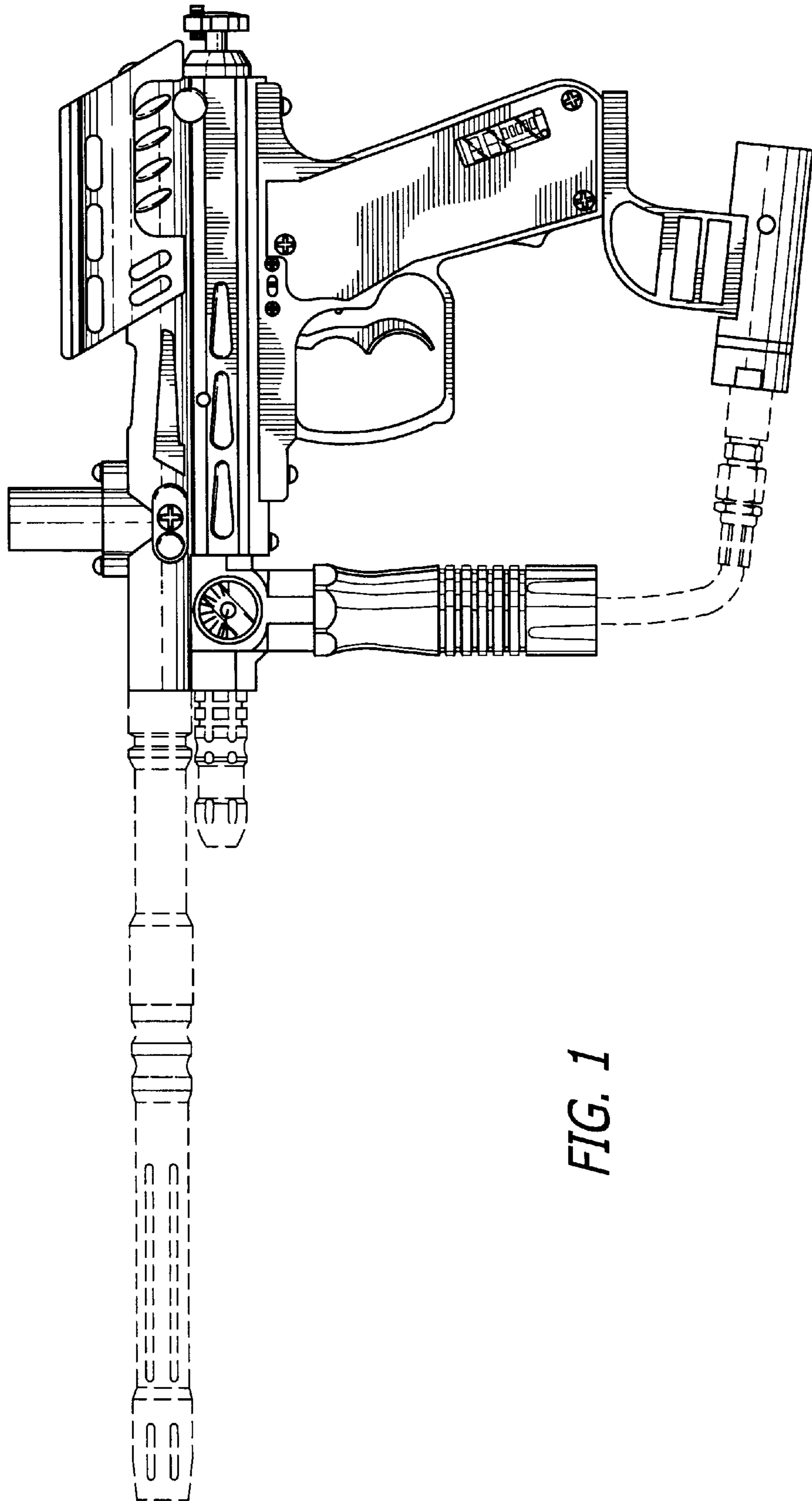


FIG. 1

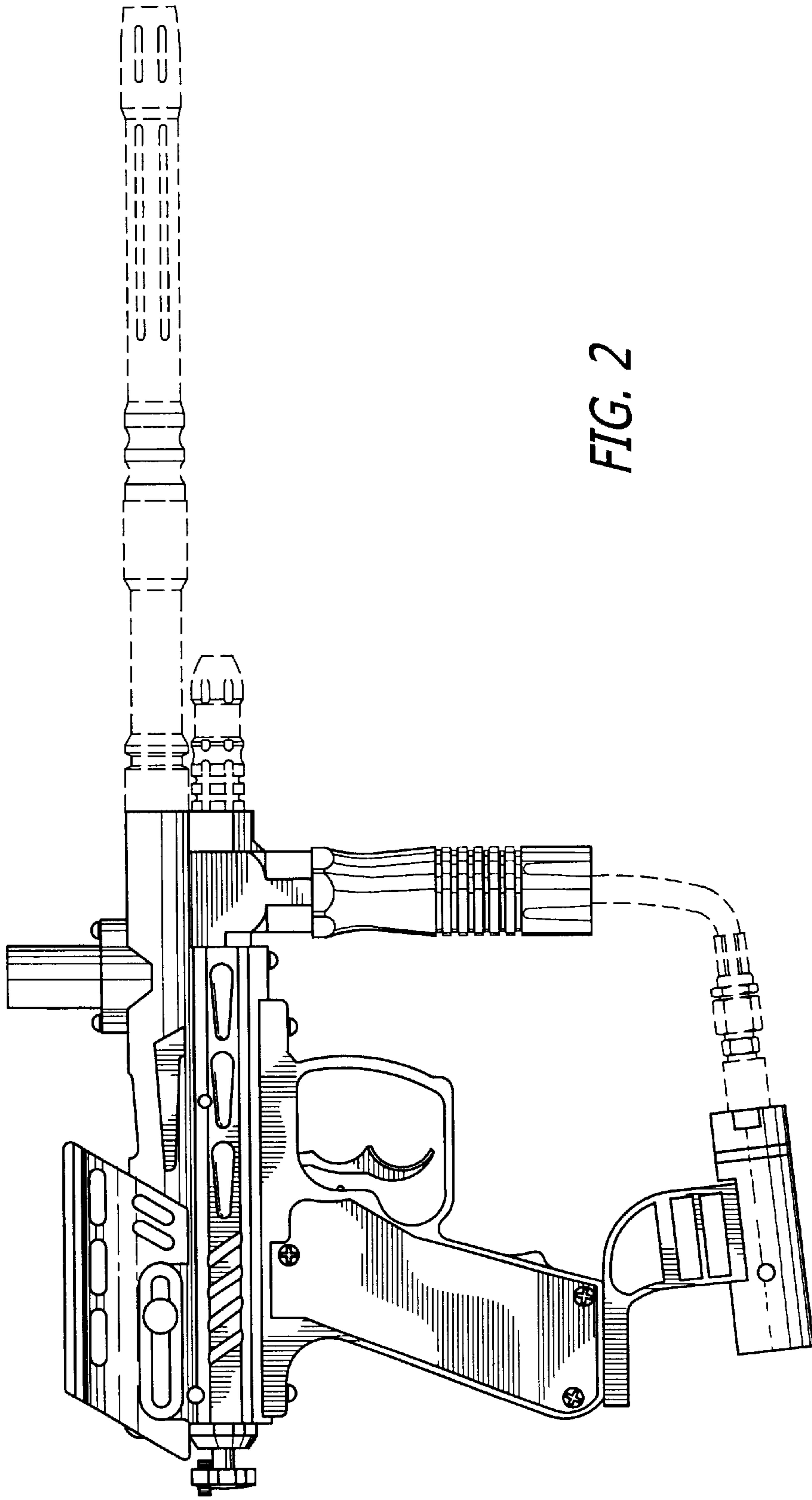


FIG. 2

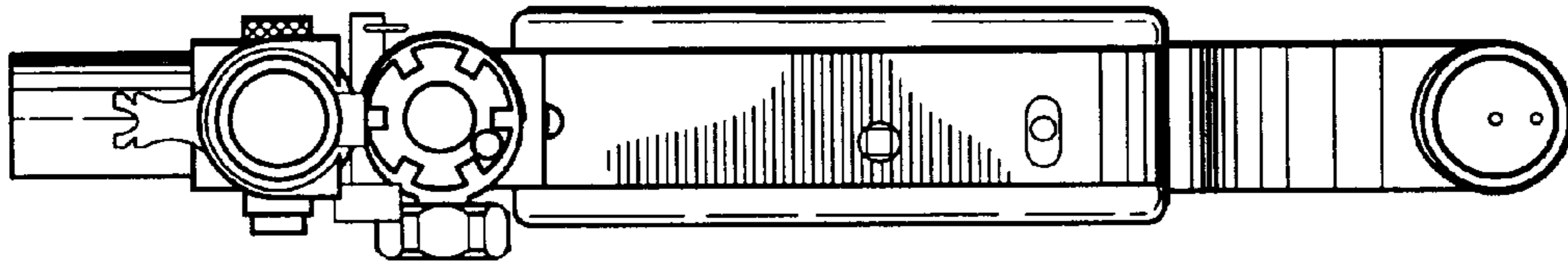


FIG. 4

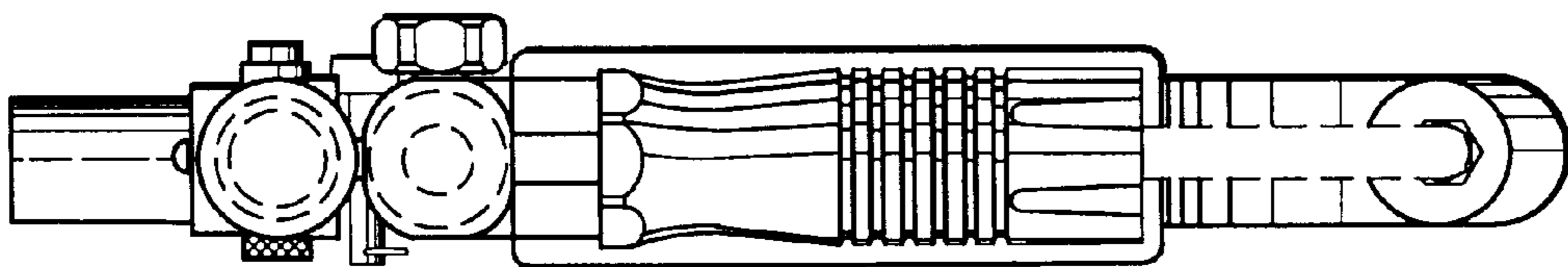


FIG. 3

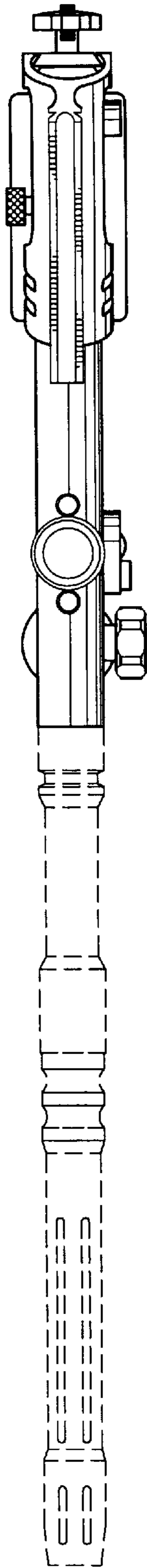


FIG. 5

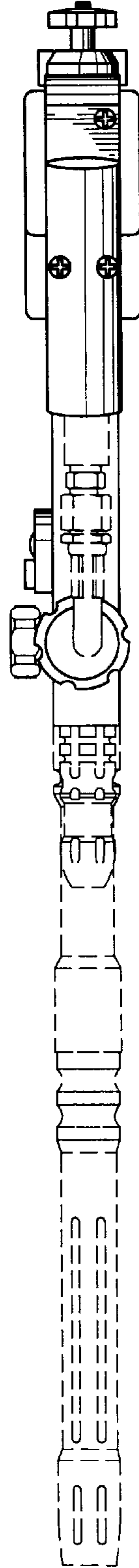


FIG. 6