



US00D482075S

(12) **United States Design Patent**
McIlvaine

(10) **Patent No.:** **US D482,075 S**

(45) **Date of Patent:** **** Nov. 11, 2003**

(54) **NON-ADJUSTABLE LOW PROFILE LABEL HOLDER**

(75) Inventor: **Howard McIlvaine**, Freehold, NJ (US)

(73) Assignee: **UNEX Manufacturing, Inc.**, Jackson, NJ (US)

(**) Term: **14 Years**

(21) Appl. No.: **29/171,723**

(22) Filed: **Nov. 26, 2002**

(51) **LOC (7) Cl.** **20-03**

(52) **U.S. Cl.** **D20/43; D34/29; D34/35**

(58) **Field of Search** D20/10, 15, 40,
D20/42-44, 99; D25/119, 124; D34/29,
35; 24/67 R, 67.1, 67.9; 193/35 R; 211/183;
248/346.03, 441.1

(56) **References Cited**

U.S. PATENT DOCUMENTS

D141,049 S	*	5/1945	Ketchum, Jr.	D25/119
2,847,776 A	*	8/1958	Robertson	40/641
D189,147 S	*	11/1960	Hinchcliffe	D34/29
3,164,354 A	*	1/1965	Mordock	248/251
3,168,954 A	*	2/1965	Herrmann	211/50
D209,071 S	*	10/1967	Koch	D34/29

D209,421 S	*	11/1967	Fabian	D34/29
D223,819 S	*	6/1972	Edwards	D12/401
D237,104 S	*	10/1975	Fisher	D25/124
D291,097 S	*	7/1987	Dalbey et al.	D20/44
D330,221 S	*	10/1992	Levin	D19/91
D347,449 S	*	5/1994	Garfinkle	D20/43
D381,176 S	*	7/1997	Patois et al.	D34/29
D441,879 S	*	5/2001	Habeck et al.	D25/124
6,510,935 B1	*	1/2003	McIlvaine	193/35 R

* cited by examiner

Primary Examiner—Robert M. Spear

(74) *Attorney, Agent, or Firm*—Salzman & Levy

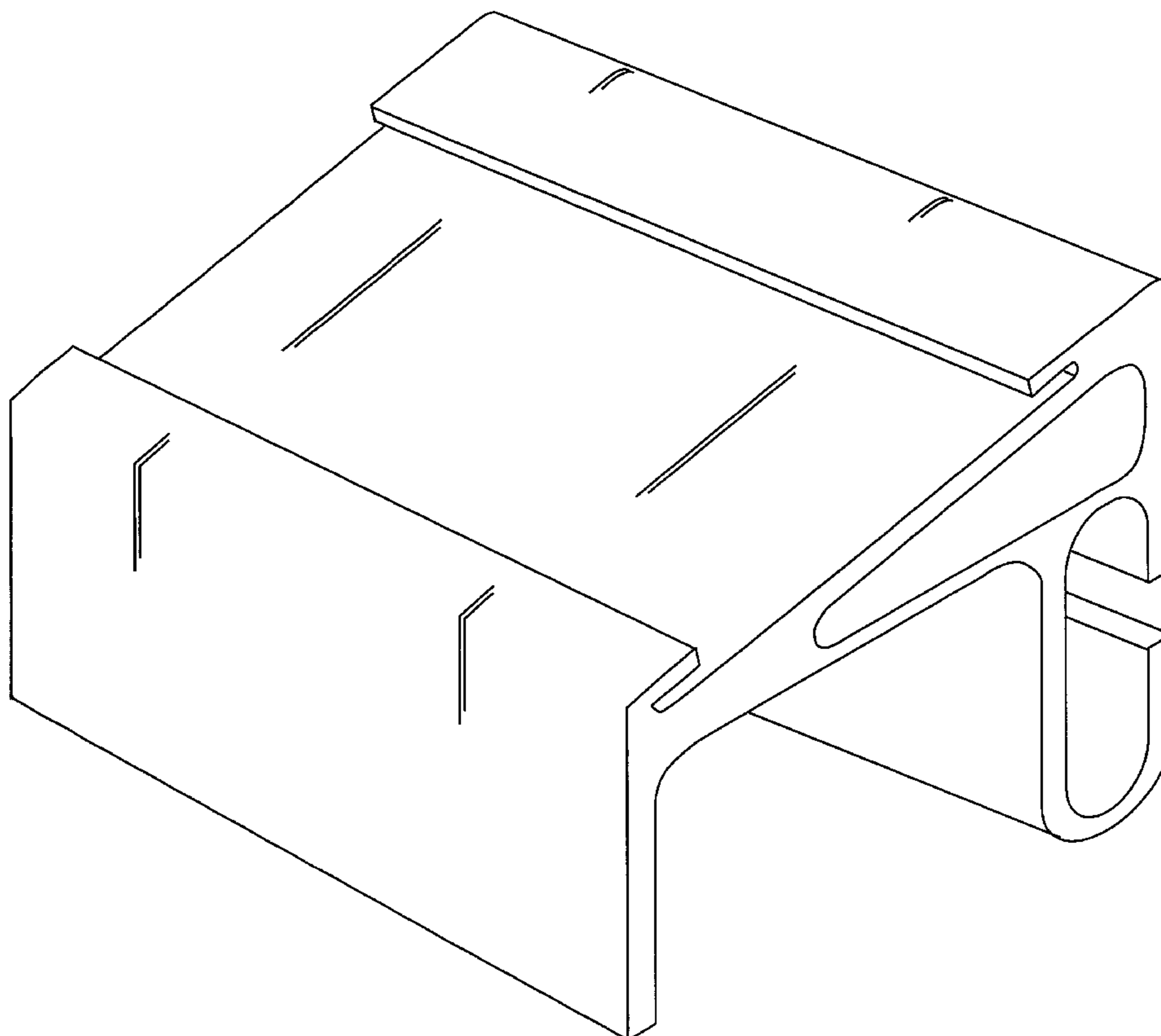
(57) **CLAIM**

The ornamental design for non-adjustable low profile label holder, as shown and described.

DESCRIPTION

FIG. 1 is a perspective view of my non-adjustable low profile label holder;
FIG. 2 is a right view thereof;
FIG. 3 is a left view thereof;
FIG. 4 is a top view thereof;
FIG. 5 is a bottom view thereof;
FIG. 6 is a front view thereof; and,
FIG. 7 is a back view thereof.

1 Claim, 4 Drawing Sheets



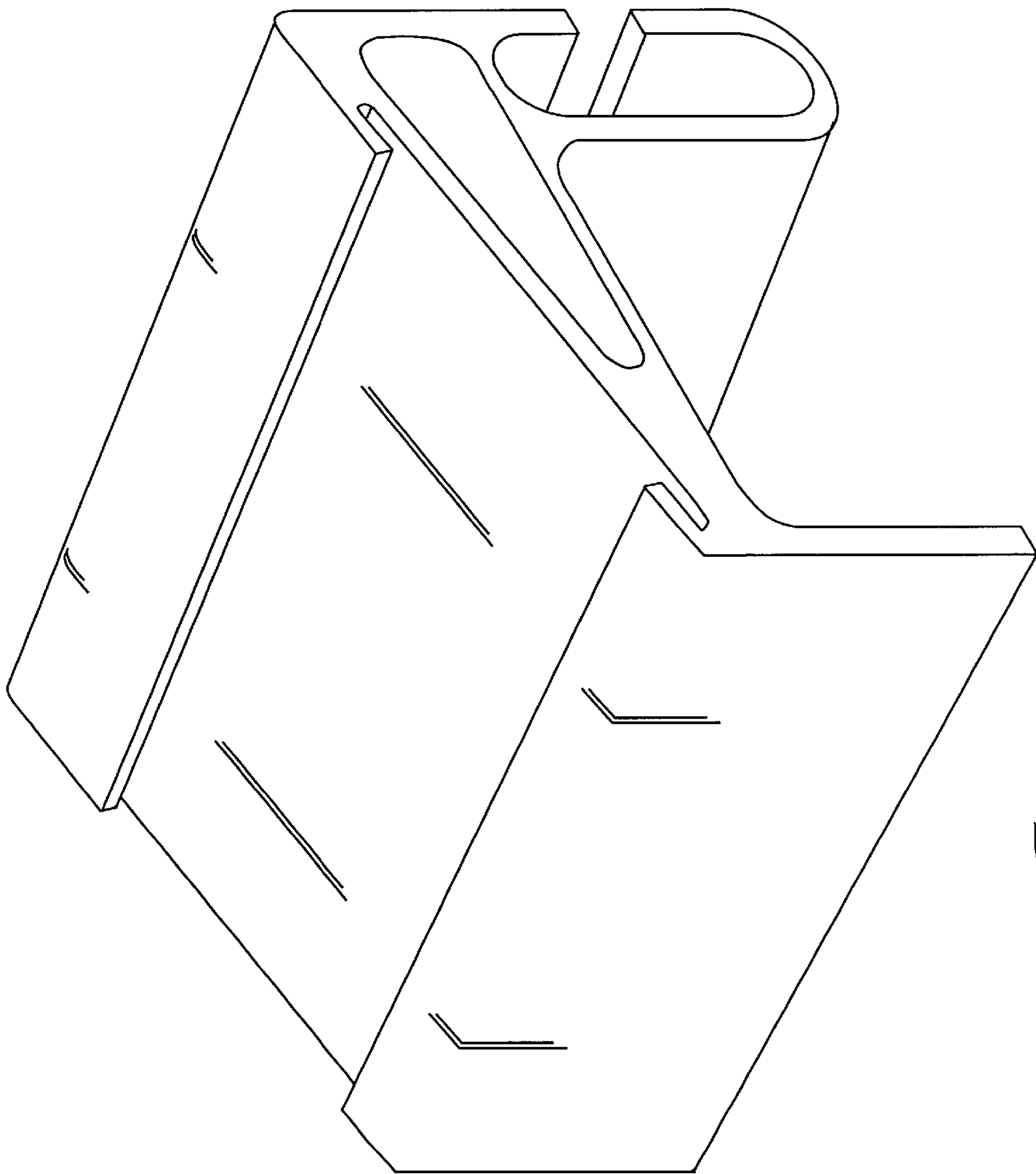


Fig. 1

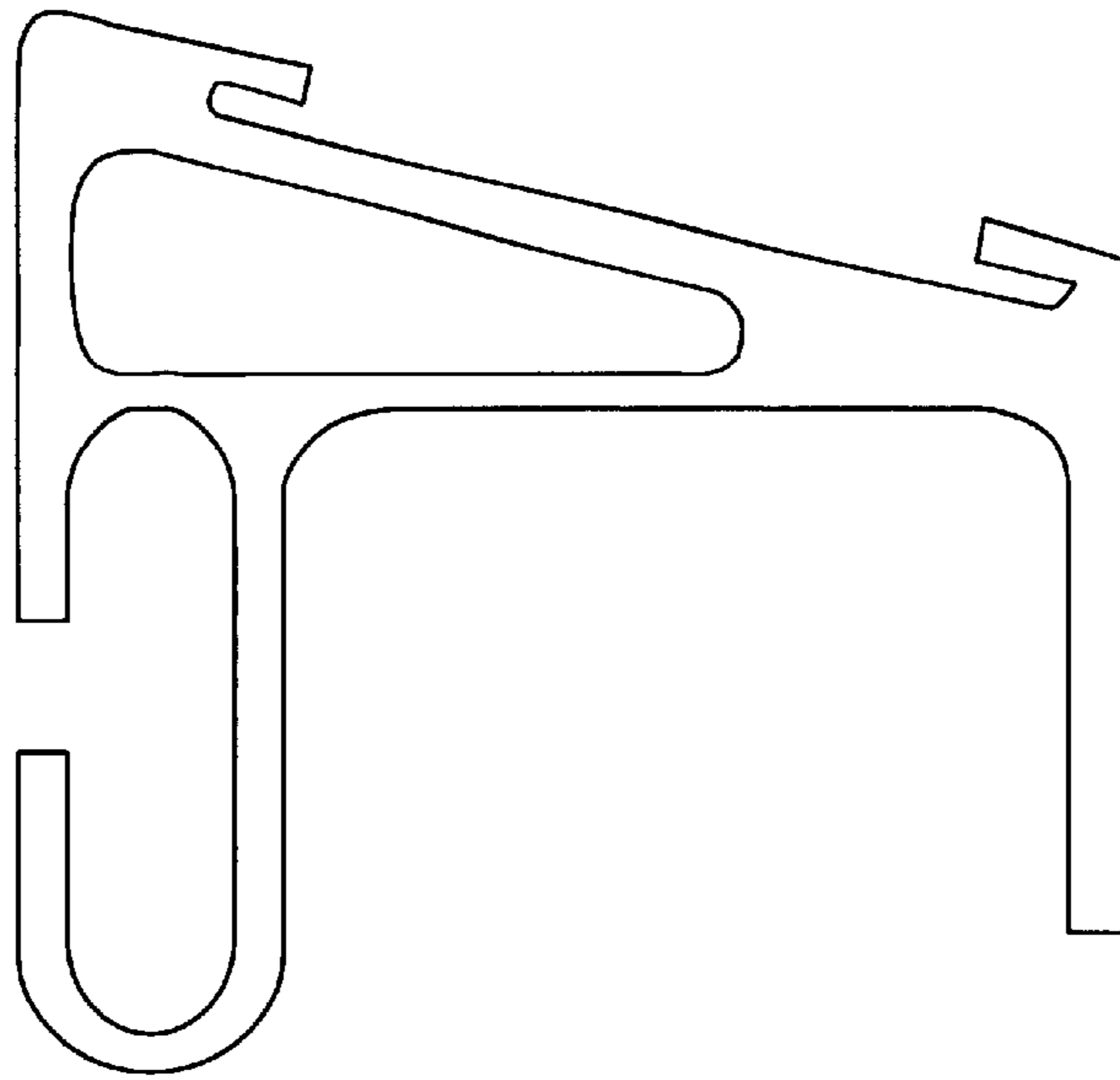


Fig. 2 (Right)

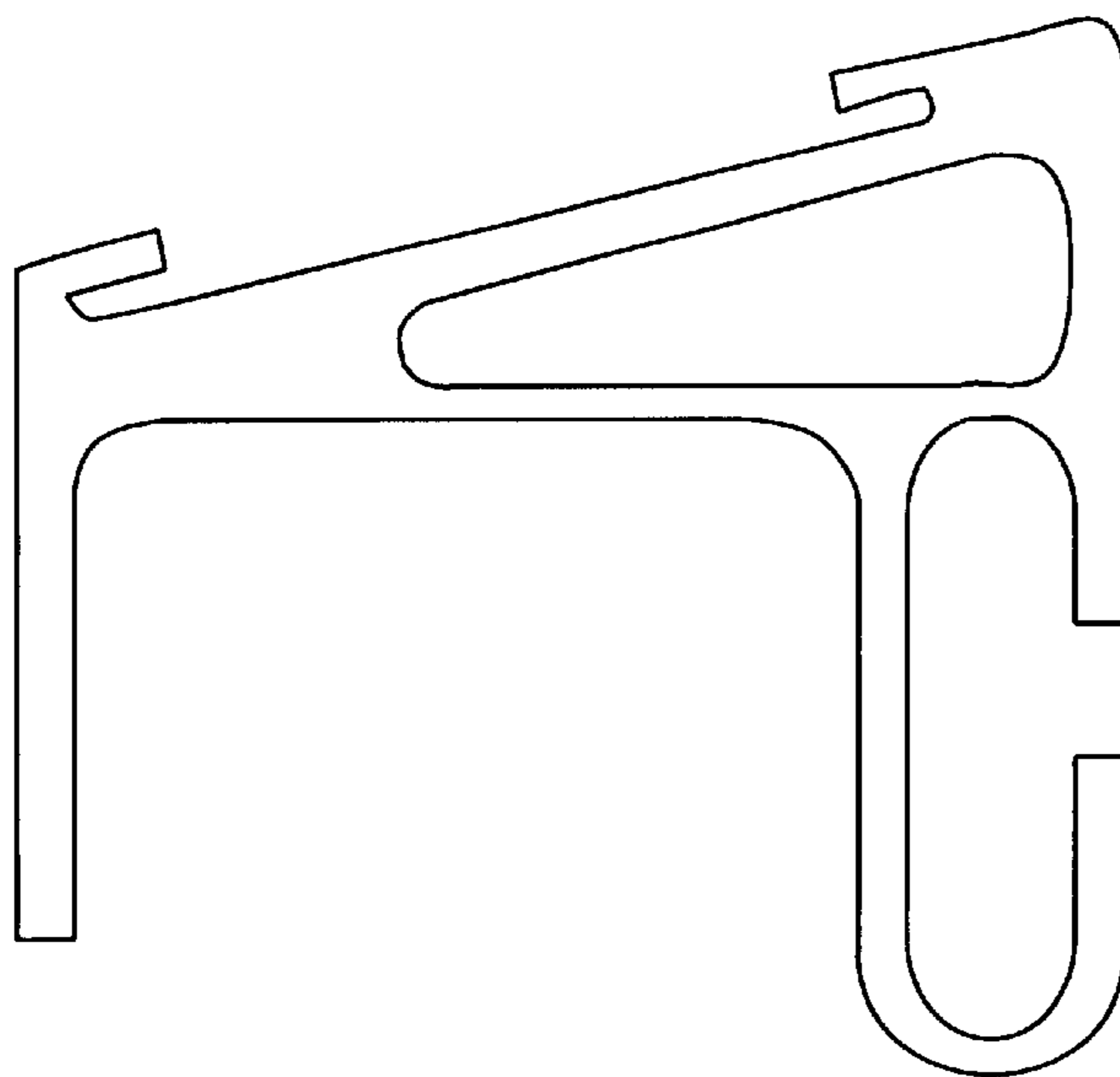


Fig. 3 (Left)

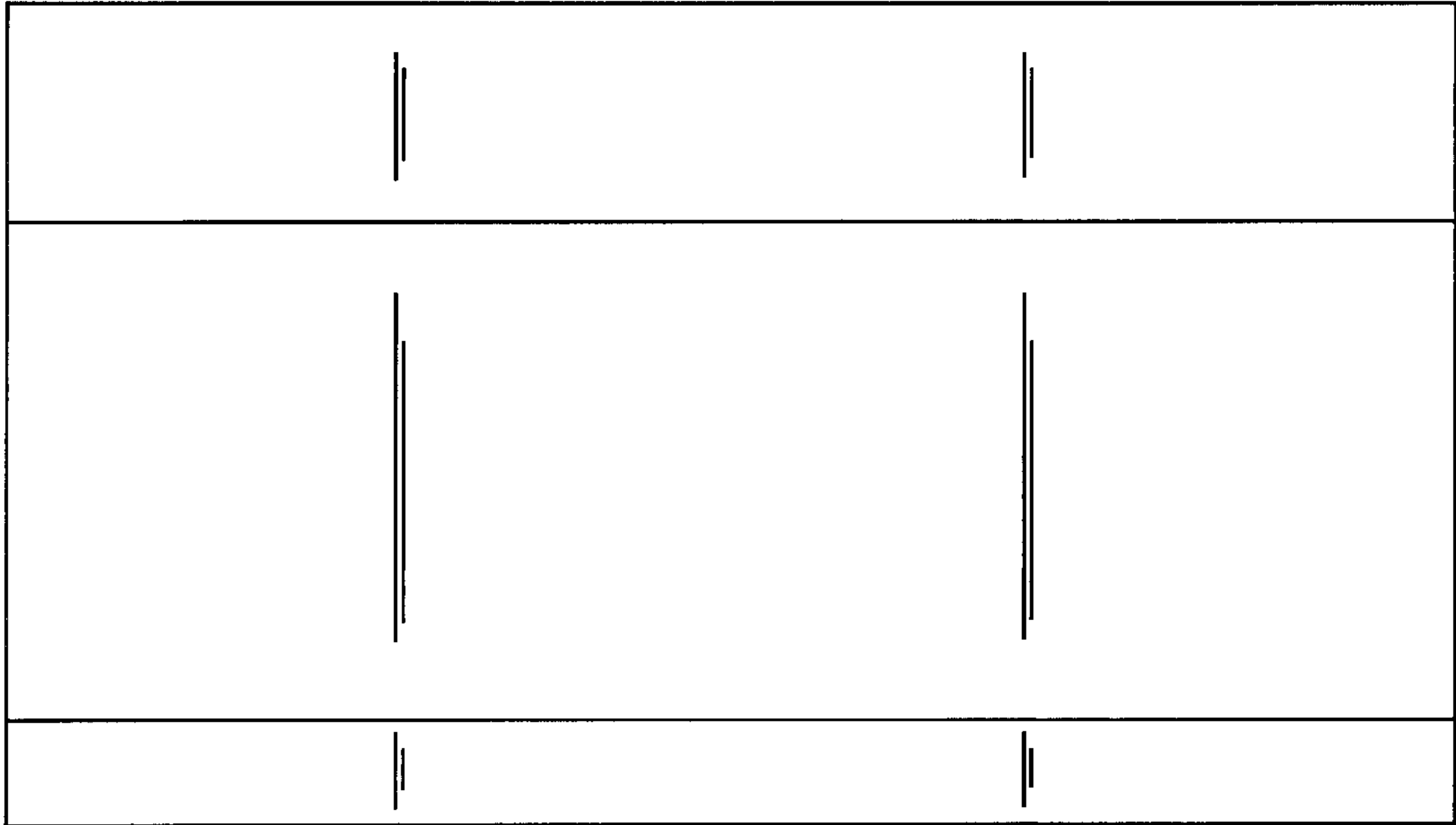


Fig. 4 (Top)

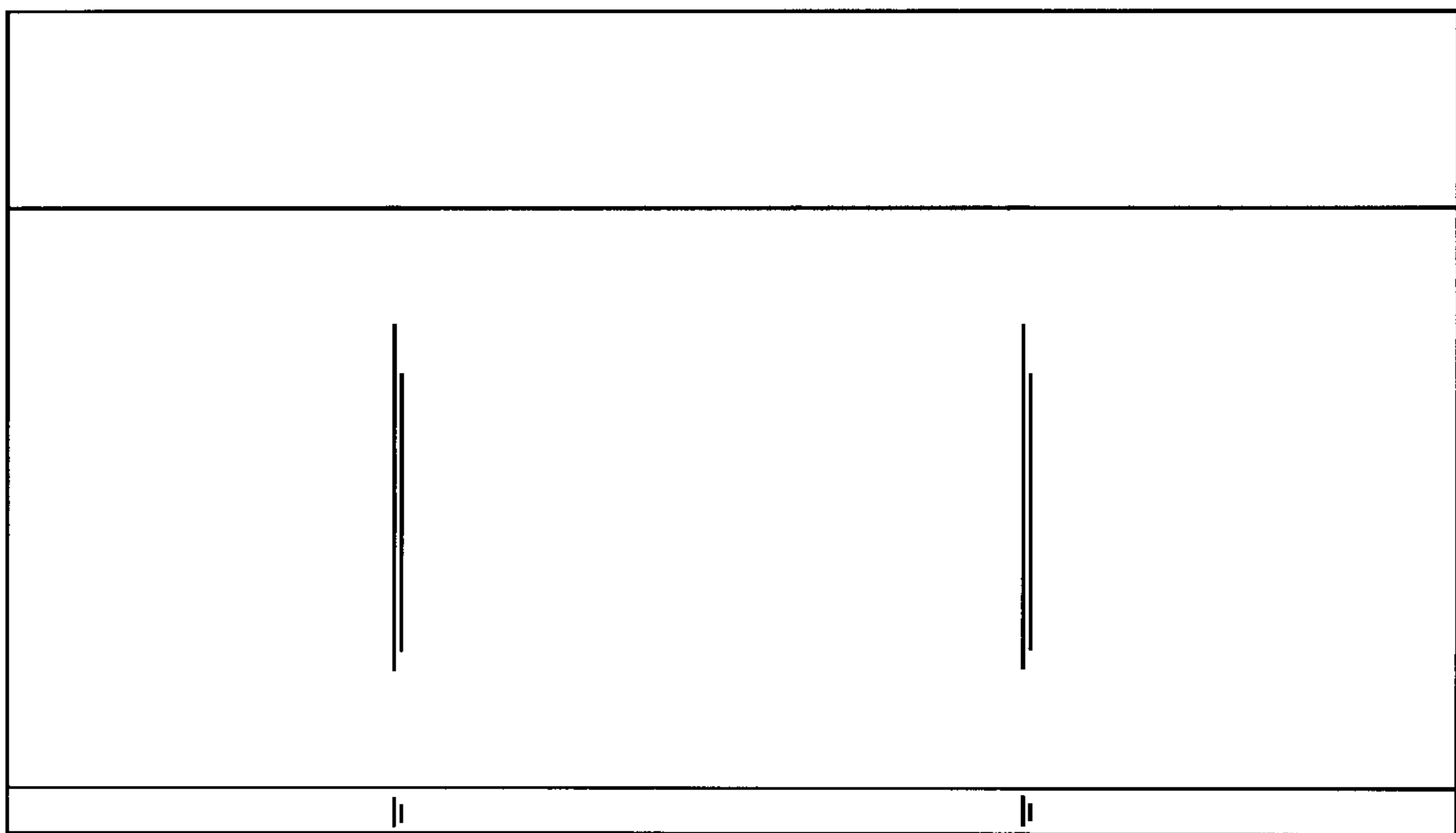


Fig. 5 (Bottom)

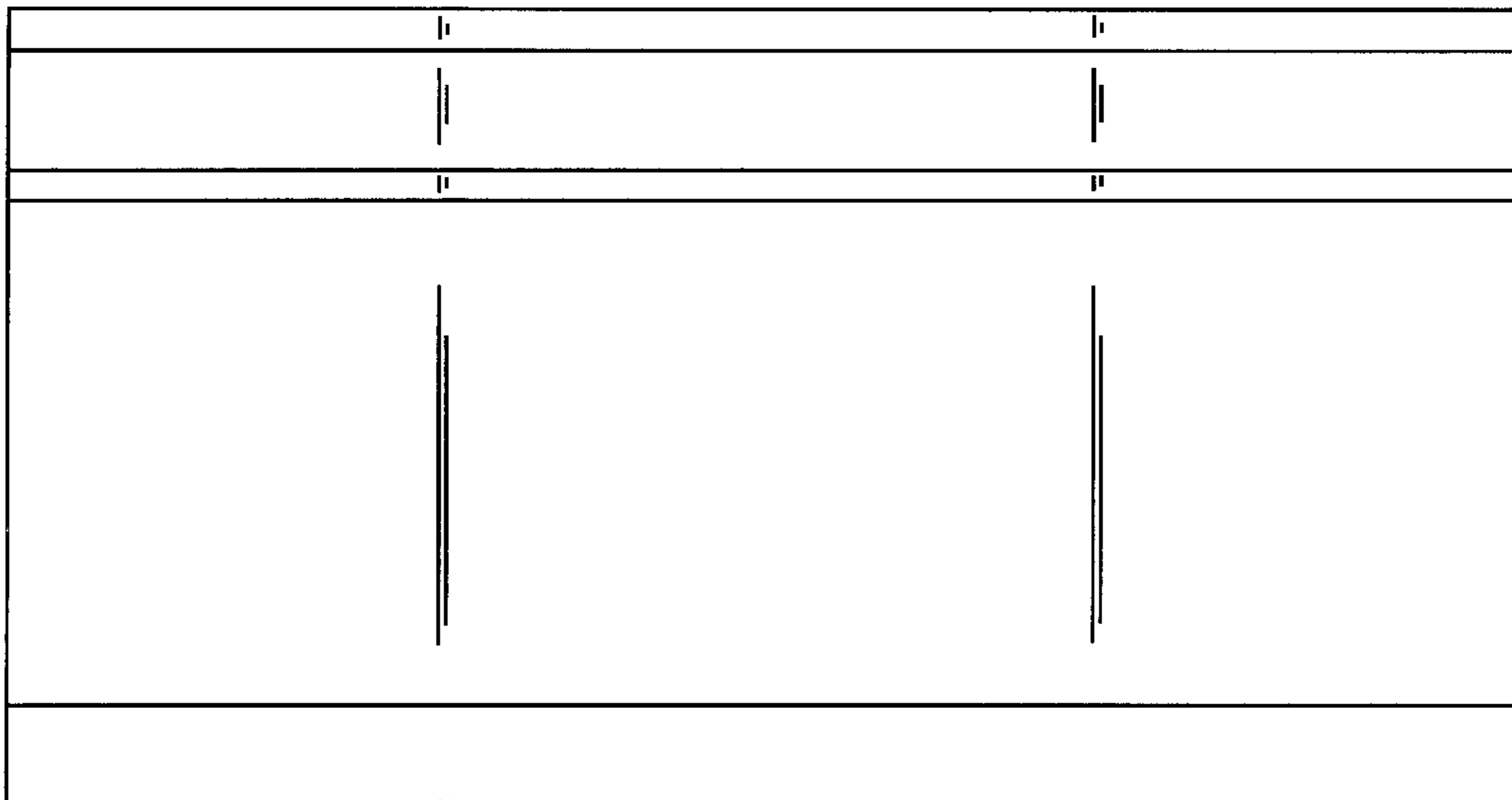


Fig. 6 (Front)

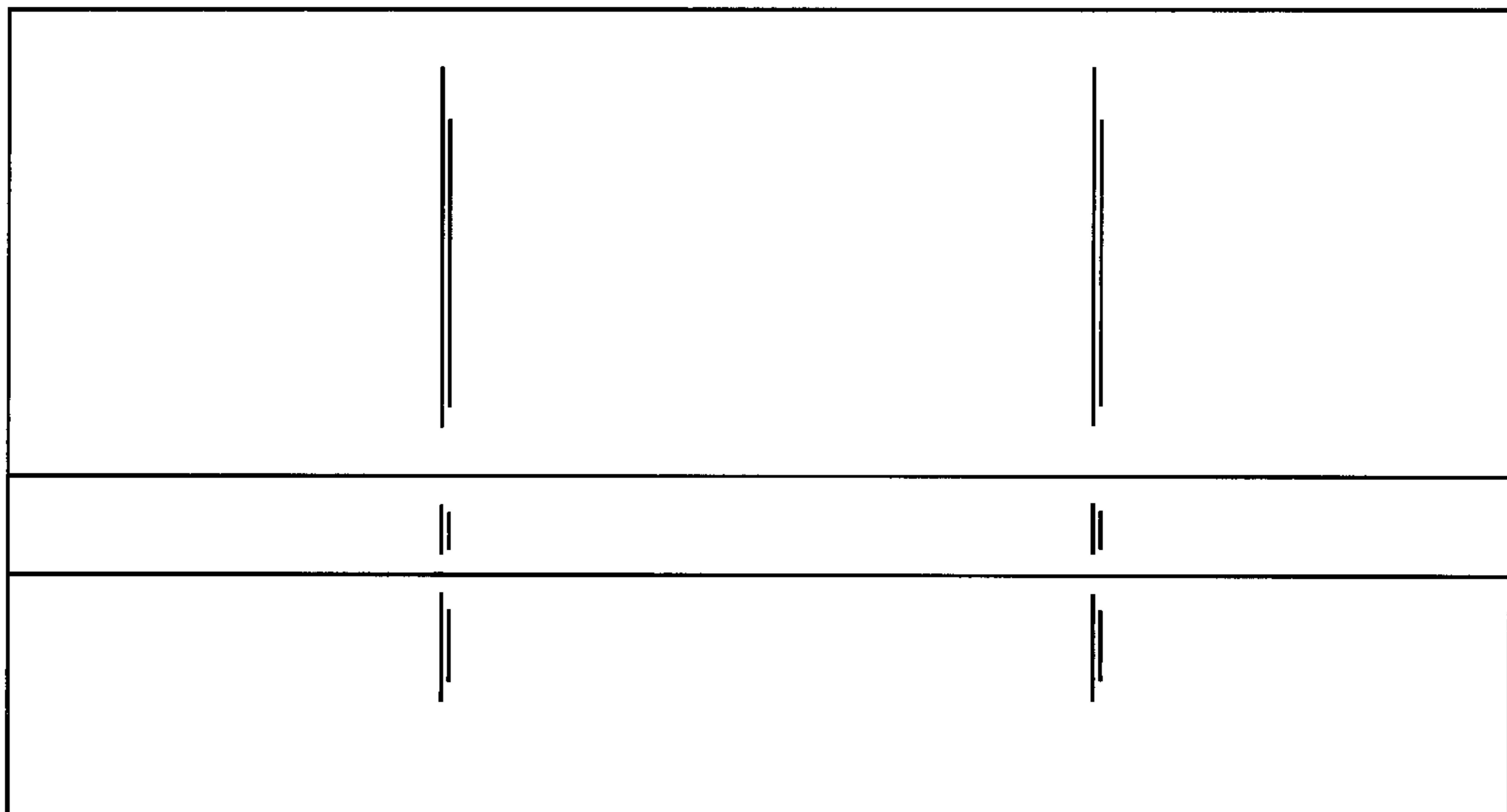


Fig. 7 (Back)