



US00D482072S

(12) **United States Design Patent**
Ivey

(10) **Patent No.:** **US D482,072 S**

(45) **Date of Patent:** **** Nov. 11, 2003**

(54) **PEN HOLDER**

(75) **Inventor:** **Jason A. Ivey**, Long Beach, CA (US)

(73) **Assignee:** **Innovation Specialties, Inc.**, Culver City, CA (US)

(**) **Term:** **14 Years**

(21) **Appl. No.:** **29/174,508**

(22) **Filed:** **Jan. 21, 2003**

(51) **LOC (7) Cl.** **19-06**

(52) **U.S. Cl.** **D19/84; D19/65**

(58) **Field of Search** D19/35, 36, 41-51,
D19/53-58, 65, 77, 78, 81-85, 96, 99,
100; 401/52, 195; 248/205.2, 205.1, 231.21,
206.5, 231.81, 207; 211/69.1-69.9; 24/10 R,
11 R, 11 CT, 12, 303, 304

(56) **References Cited**

U.S. PATENT DOCUMENTS

333,590 A * 1/1886 Benson 24/12
D159,245 S * 7/1950 Barnett D19/36

D164,885 S * 10/1951 Thompson D19/96
2,644,212 A * 7/1953 Markowitz 24/11 R
D185,331 S * 5/1959 Tannenbaum D19/36
D223,014 S * 2/1972 Longarzo D19/36
D442,638 S * 5/2001 Roush D19/84

* cited by examiner

Primary Examiner—Martie K. Holtje

(74) *Attorney, Agent, or Firm*—Edgar W. Averill, Jr.

(57) **CLAIM**

The ornamental design for a pen holder, as shown and described.

DESCRIPTION

FIG. 1 is a perspective view showing the front, left side and top of the pen holder showing my new design.

FIG. 2 is a front view thereof.

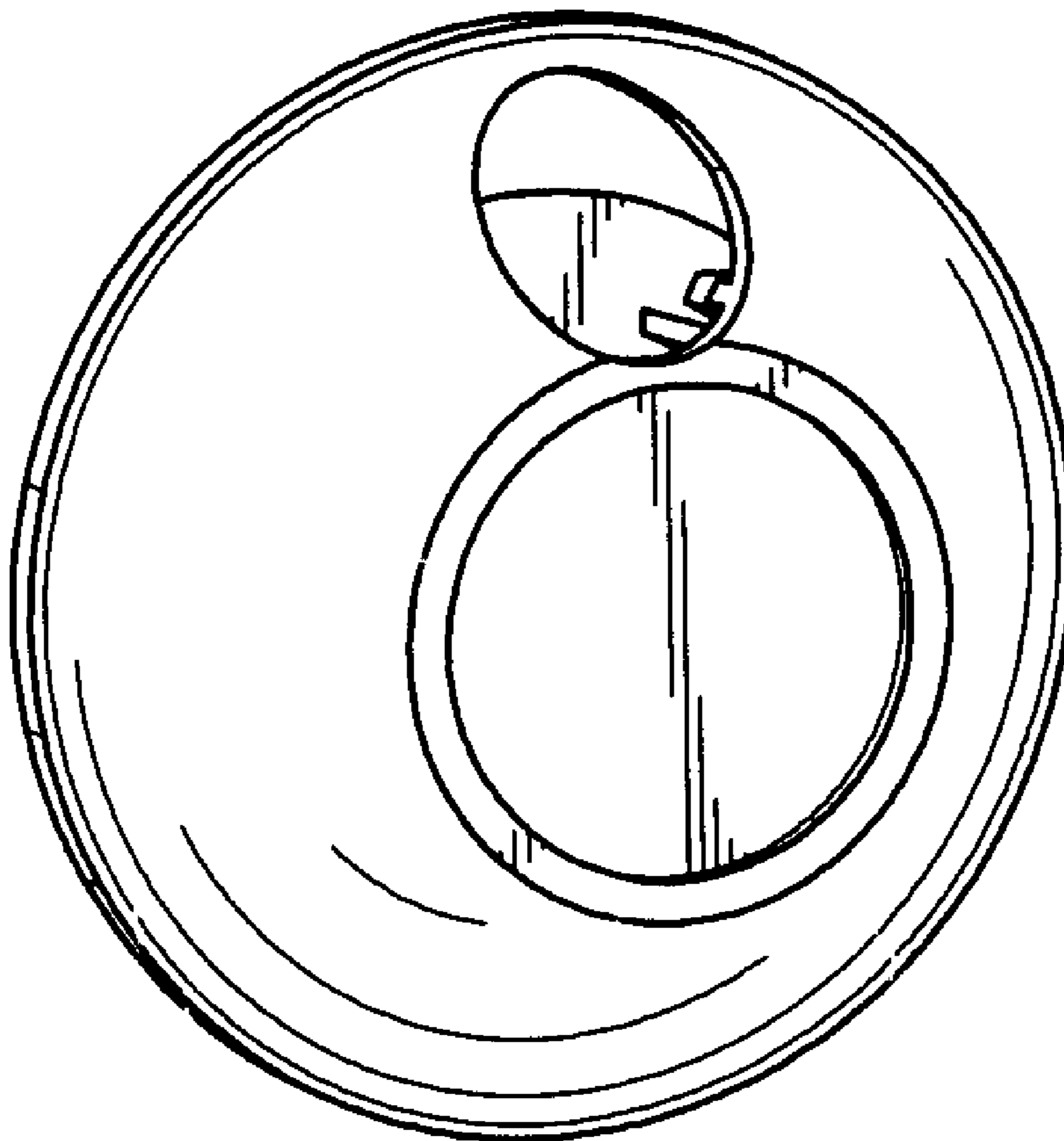
FIG. 3 is a rear view thereof.

FIG. 4 is a right side view thereof.

FIG. 5 is a top view thereof; and,

FIG. 6 is a bottom view thereof.

1 Claim, 1 Drawing Sheet



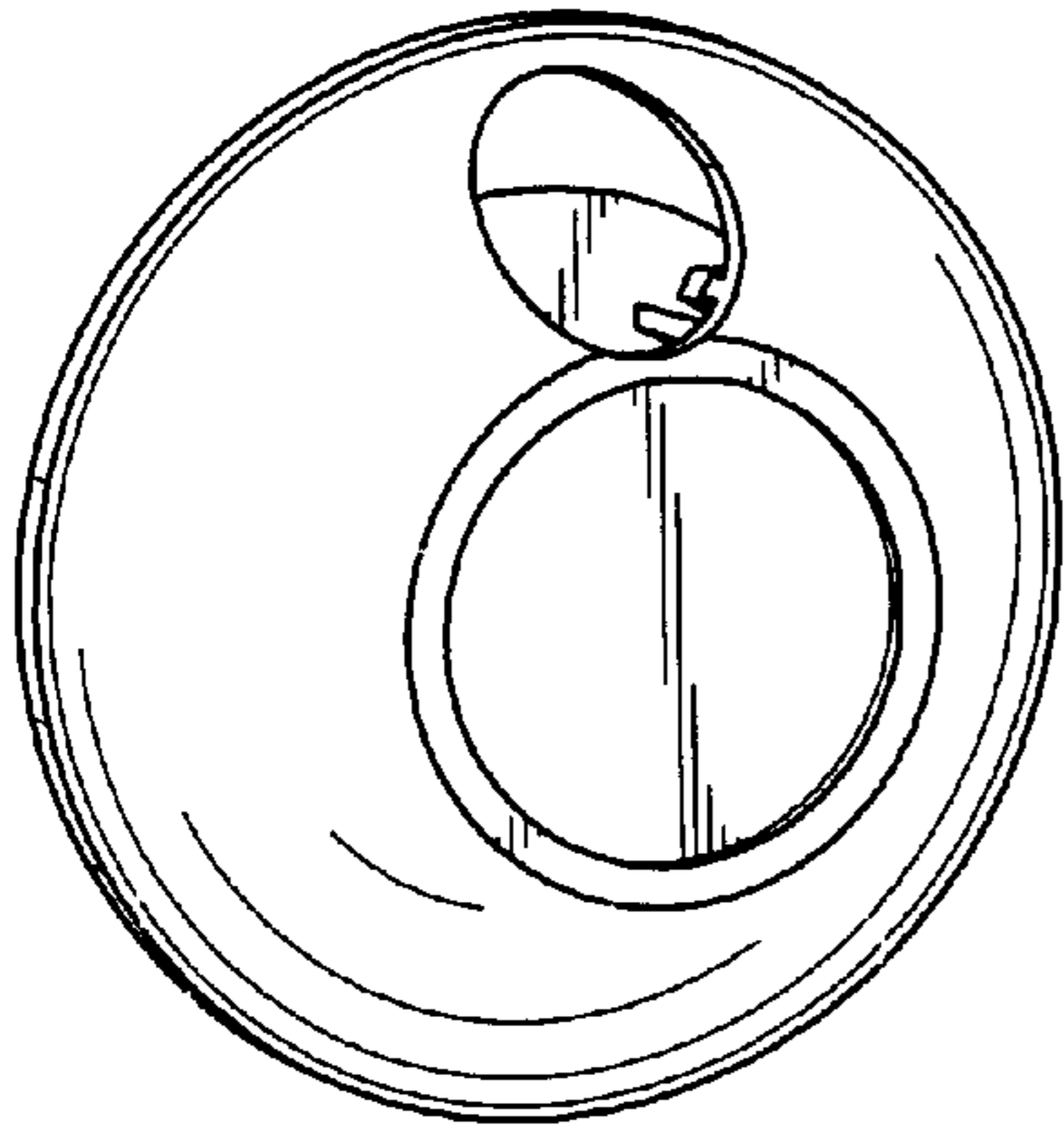


FIG. 1

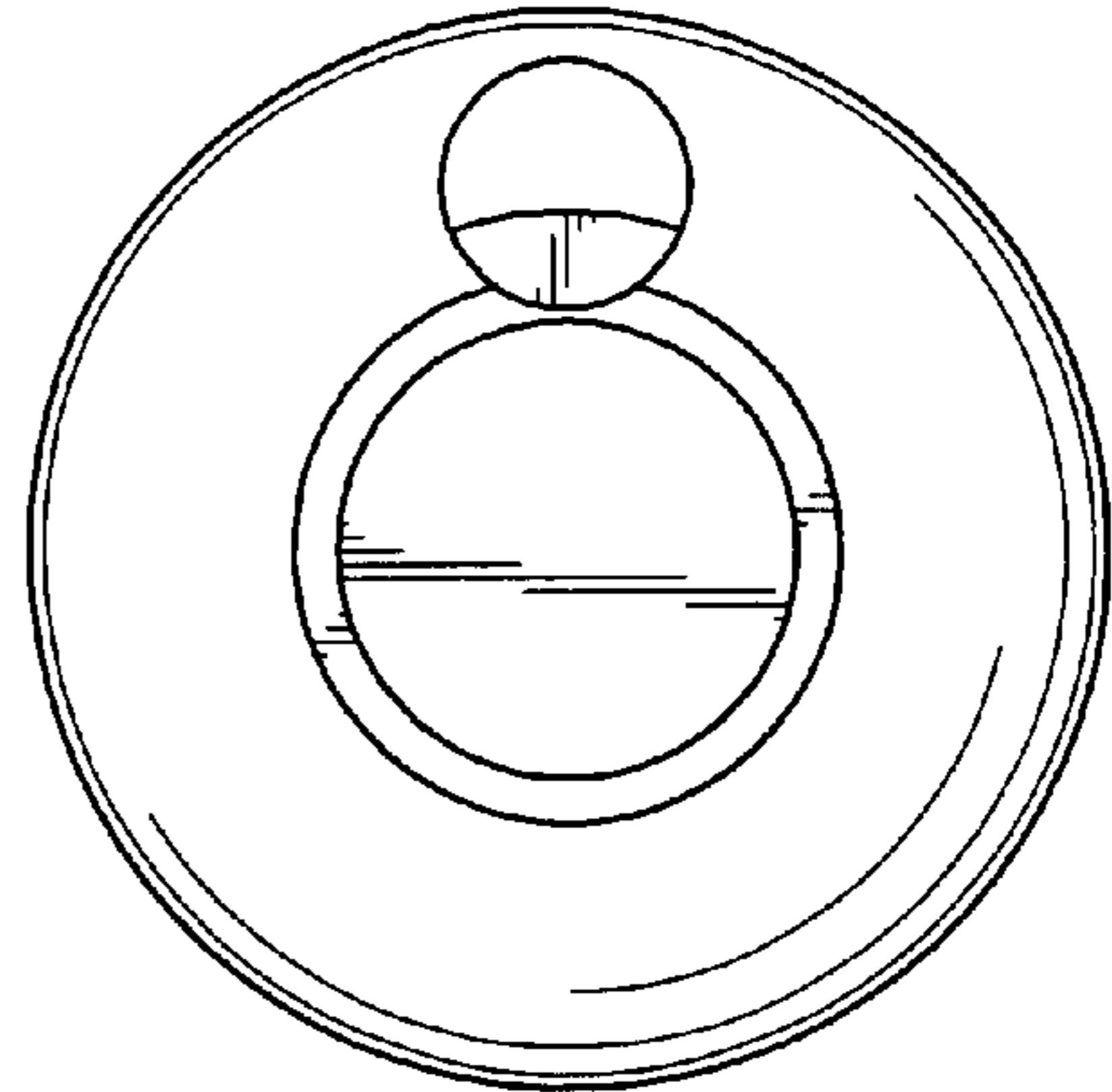


FIG. 2

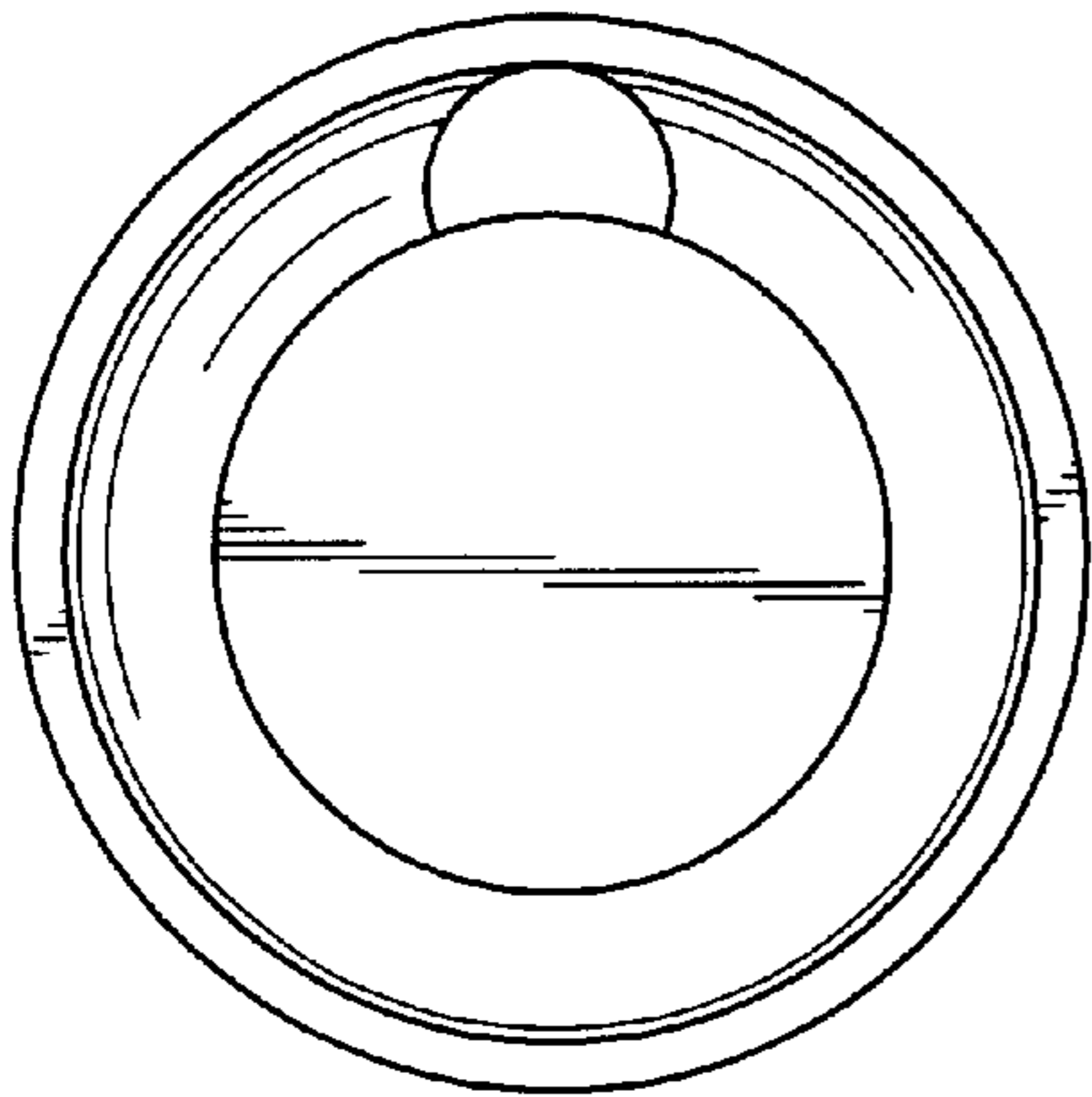


FIG. 3

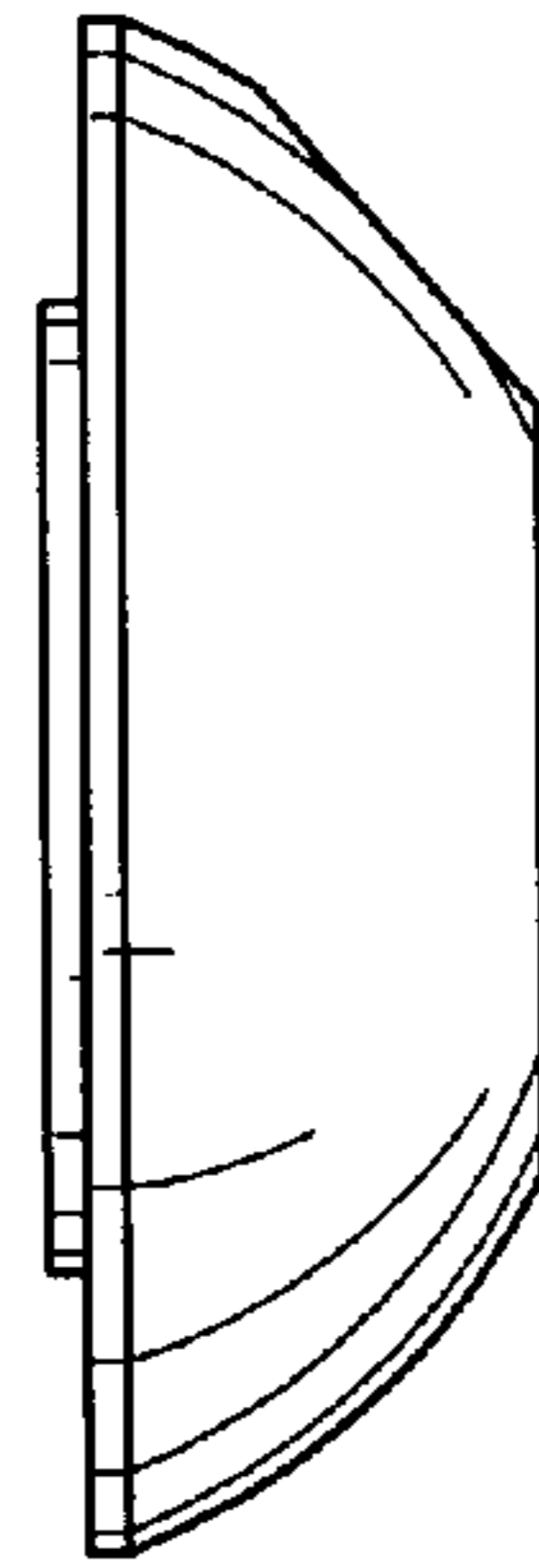


FIG. 4

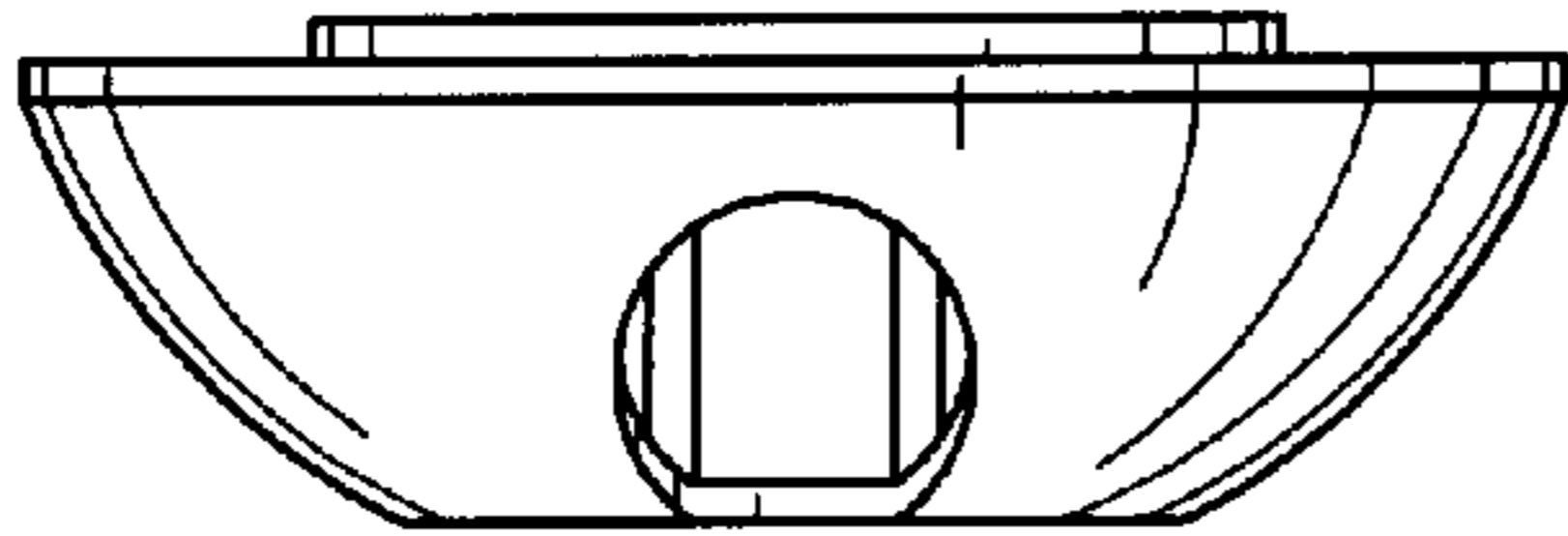


FIG. 5

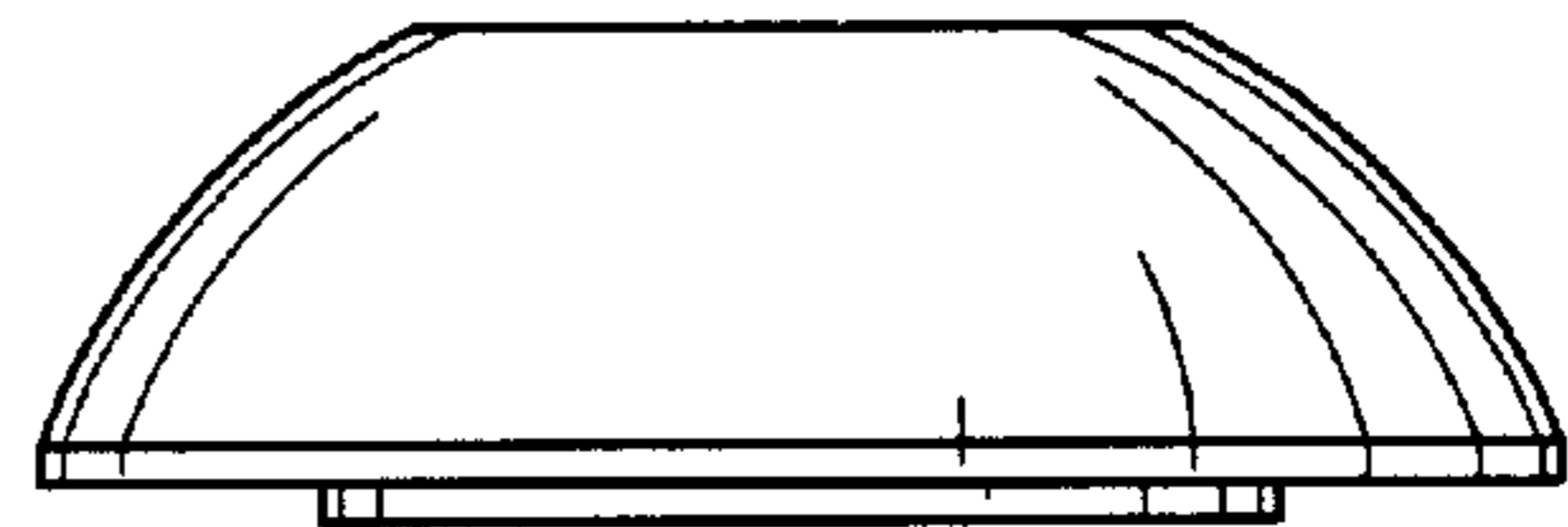


FIG. 6