



US00D482071S

(12) **United States Design Patent**
Kennedy et al.

(10) **Patent No.:** **US D482,071 S**

(45) **Date of Patent:** **** Nov. 11, 2003**

(54) **GRIP FOR A WRITING INSTRUMENT**

(75) Inventors: **Jeffrey A. Kennedy**, Algonquin, IL (US); **Bret R. Marschand**, Oak Park, IL (US)

(73) Assignee: **Sanford L.P.**, Bellwood, IL (US)

(**) Term: **14 Years**

(21) Appl. No.: **29/180,551**

(22) Filed: **Apr. 25, 2003**

Related U.S. Application Data

(62) Division of application No. 29/167,358, filed on Sep. 12, 2002.

(51) **LOC (7) Cl.** **19-06**

(52) **U.S. Cl.** **D19/55; D19/48; D19/47**

(58) **Field of Search** D19/35, 36, 41-51, D19/53-55, 56-58, 81-85; 401/6, 7, 88, 48, 116, 117, 52, 195

(56) **References Cited**

U.S. PATENT DOCUMENTS

D306,178 S	2/1990	Lauper	D19/49
D308,396 S	6/1990	Sekiguchi	D19/49
D312,477 S	11/1990	Porsche	D19/43
D312,478 S	11/1990	Lecce	D19/48
D314,978 S	2/1991	Oka	D19/48
D319,845 S	9/1991	Grötsch et al.	D19/48
D324,238 S	2/1992	Nitta	D19/49
D325,221 S	4/1992	Ito	D19/57
D328,611 S	8/1992	Longarzo	D19/49
D356,598 S	* 3/1995	Thompson et al.	D19/49
D361,783 S	8/1995	Wei	D19/48
D390,873 S	2/1998	Oka	D19/49

D404,763 S	1/1999	Shimizu	D19/47
D406,277 S	3/1999	Lecce	D19/48
D412,718 S	8/1999	Waldinger	D19/48
6,062,753 A	* 5/2000	Hadtke et al.	401/6
D429,280 S	* 8/2000	Mittersinker	D19/49
6,146,038 A	* 11/2000	Mittersinker et al.	401/6
D436,996 S	* 1/2001	Izushima	D19/47
D441,018 S	* 4/2001	Droege	D19/51
D460,112 S	* 7/2001	Keda	D19/51
D454,589 S	3/2002	Beneyto	D19/48
D458,965 S	6/2002	Oka	D19/49
D461,500 S	8/2002	Cooper et al.	D19/43
D465,519 S	* 11/2002	Kennedy et al.	D19/43
D465,809 S	* 11/2002	Deluca et al.	D19/50
D476,364 S	* 6/2003	Bain	D19/51

* cited by examiner

Primary Examiner—Martie K. Holtje

(74) *Attorney, Agent, or Firm*—Marshall, Gerstein & Borun LLP

(57) **CLAIM**

The ornamental design for a “grip for a writing instrument”, as shown and described.

DESCRIPTION

FIG. 1 is a right side perspective view taken from the front and top showing our new design; FIG. 2 is a right elevation view thereof; FIG. 3 is a left elevation view thereof; FIG. 4 is a front view thereof; FIG. 5 is a rear view thereof; and, FIG. 6 is a bottom view thereof.

The broken line showing a writing instrument is for illustrative purposes only and forms no part of the claimed design.

1 Claim, 4 Drawing Sheets

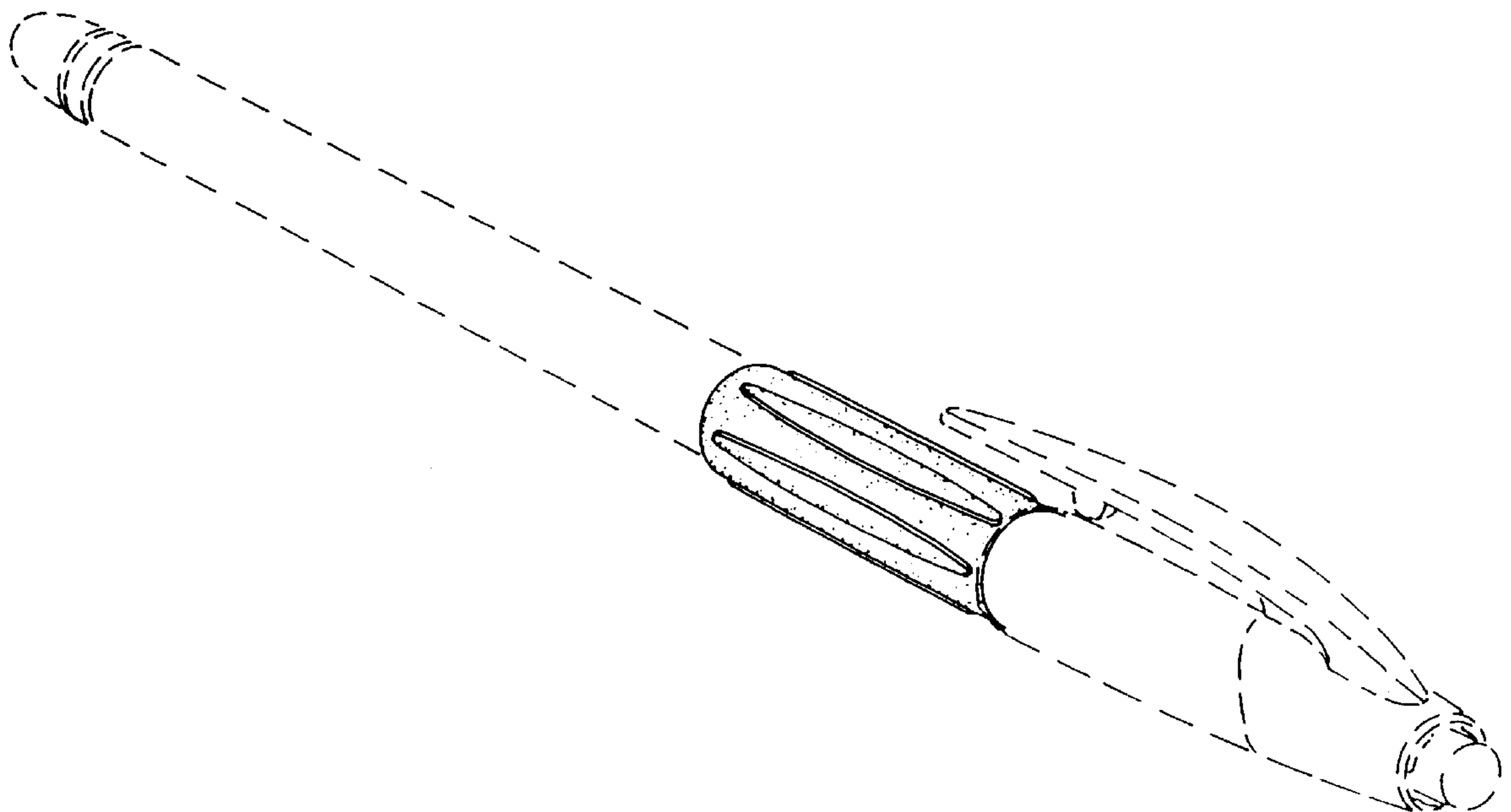


FIG. 1

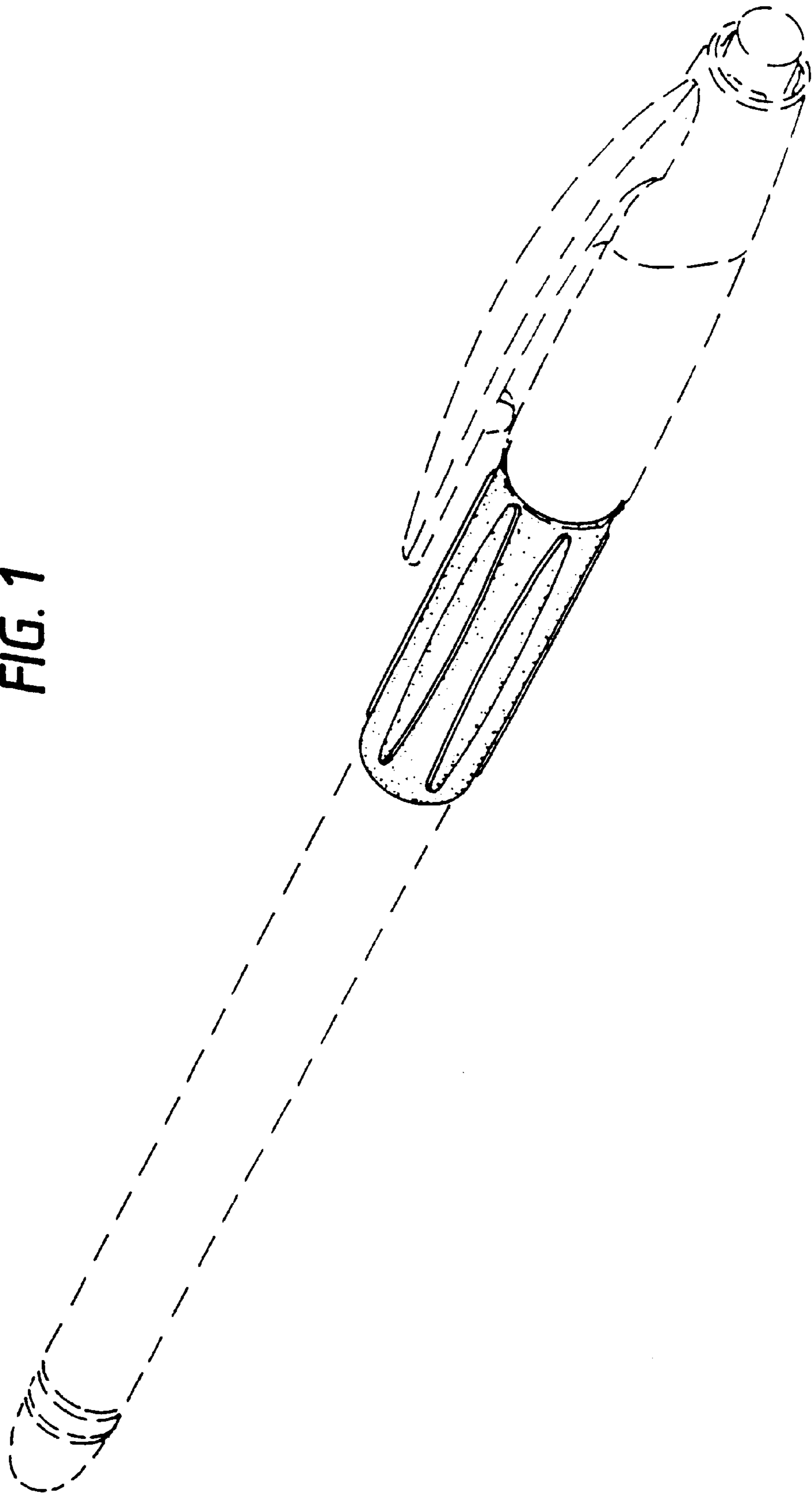


FIG. 2

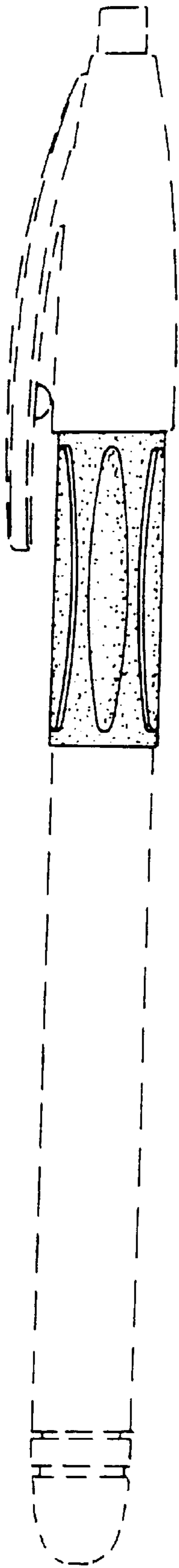


FIG. 3



FIG. 4

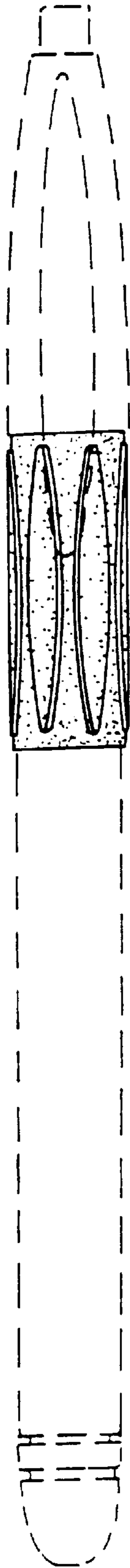


FIG. 5

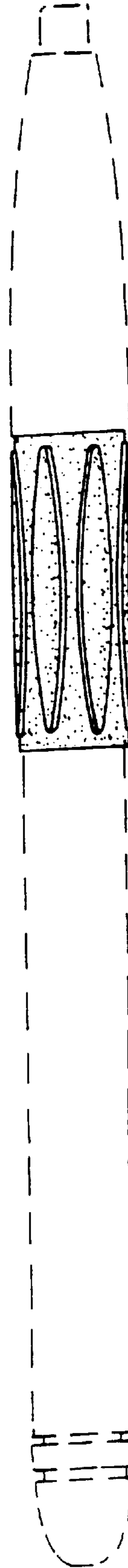


FIG. 6

