



US00D482070S

(12) **United States Design Patent**  
**Kennedy**

(10) **Patent No.:** **US D482,070 S**

(45) **Date of Patent:** **\*\* Nov. 11, 2003**

(54) **END PLUG FOR A WRITING INSTRUMENT**

(75) Inventor: **Jeffrey A. Kennedy**, Algonquin, IL  
(US)

(73) Assignee: **Berol Corporation**, Freeport, IL (US)

(\*\*) Term: **14 Years**

(21) Appl. No.: **29/183,641**

(22) Filed: **Jun. 13, 2003**

**Related U.S. Application Data**

(62) Division of application No. 29/169,862, filed on Oct. 28, 2002.

(51) **LOC (7) Cl.** ..... **19-06**

(52) **U.S. Cl.** ..... **D19/54; D19/51**

(58) **Field of Search** ..... D19/35, 36, 41-51,  
D19/53, 54-58, 81-85; 401/6, 7, 88, 99,  
202, 213, 243-247, 262

(56) **References Cited**

**U.S. PATENT DOCUMENTS**

D108,111 S \* 1/1938 Trollen ..... D19/49

D181,883 S \* 1/1958 Sherman ..... D19/49

D182,207 S \* 2/1958 Sharman ..... D19/48

D198,419 S \* 6/1964 Hankins ..... D19/49

D361,596 S \* 8/1995 Young ..... D19/49

D449,856 S \* 10/2001 Matsuzaki et al. .... D19/43

D457,187 S \* 5/2002 Mittersinker et al. .... D19/51

\* cited by examiner

*Primary Examiner*—Martie K. Holtje

(74) *Attorney, Agent, or Firm*—Marshall, Gerstein & Borun  
LLP

(57) **CLAIM**

The ornamental design for an “end plug for a writing instrument”, as shown and described.

**DESCRIPTION**

FIG. 1 is a front view showing my new design, the rear view being a mirror image thereof;

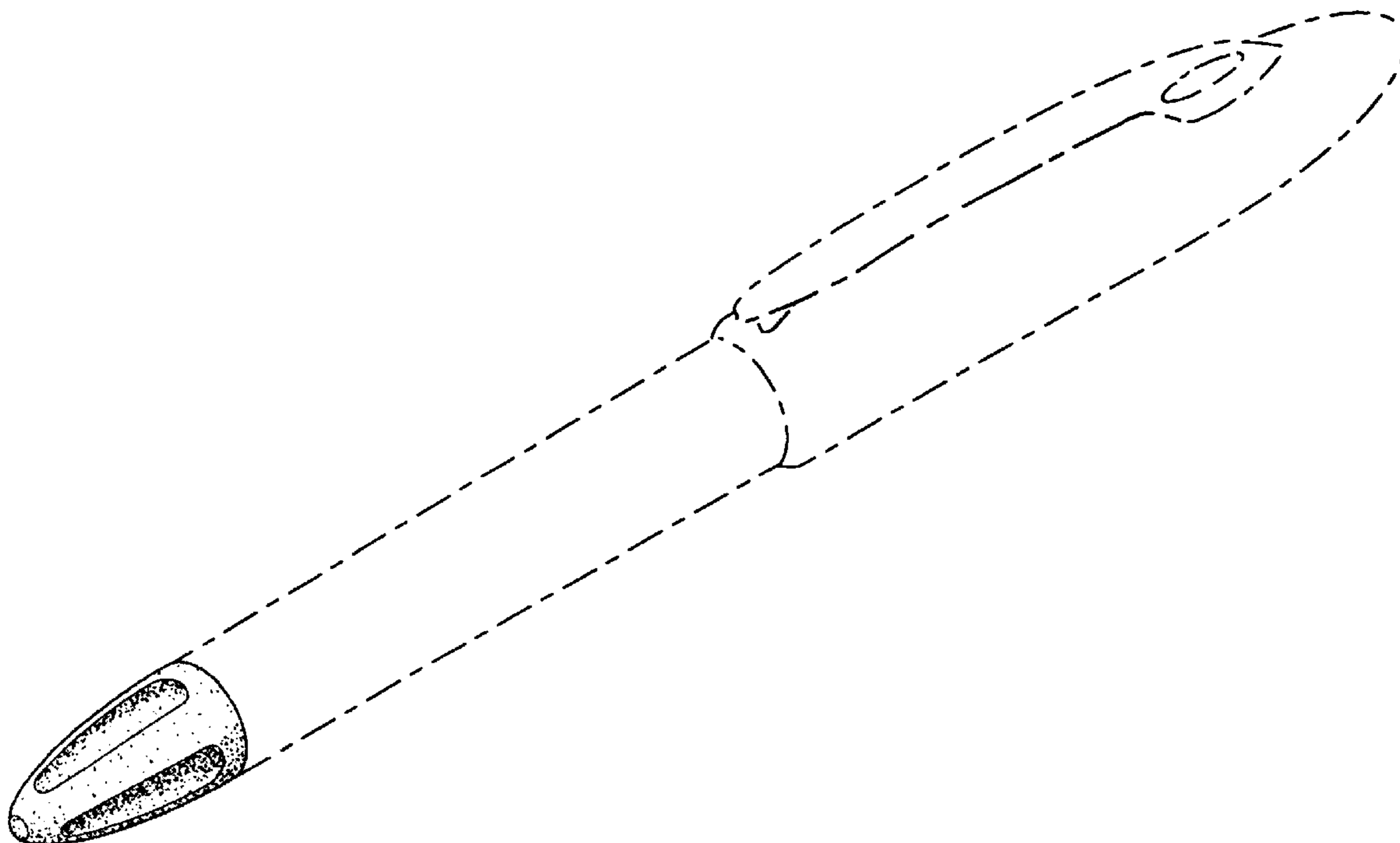
FIG. 2 is a left side elevational view, the right side elevational view being a mirror image thereof;

FIG. 3 is a plan view thereof; and,

FIG. 4 is a perspective view taken from the front, side, and above thereof.

The broken line showing a writing instrument is for illustrative purposes only and forms no part of the claimed design.

**1 Claim, 2 Drawing Sheets**



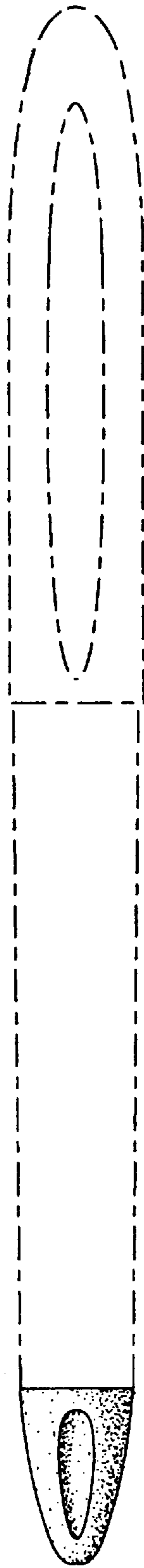


FIG. 1



FIG. 2

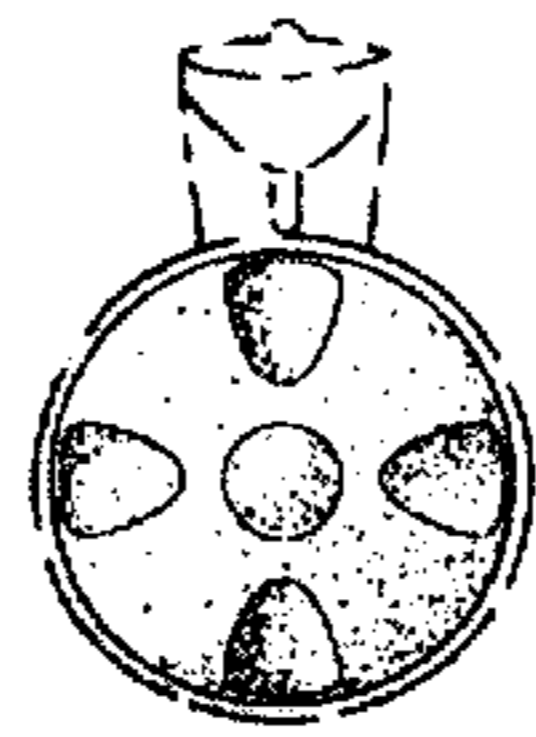


FIG. 3

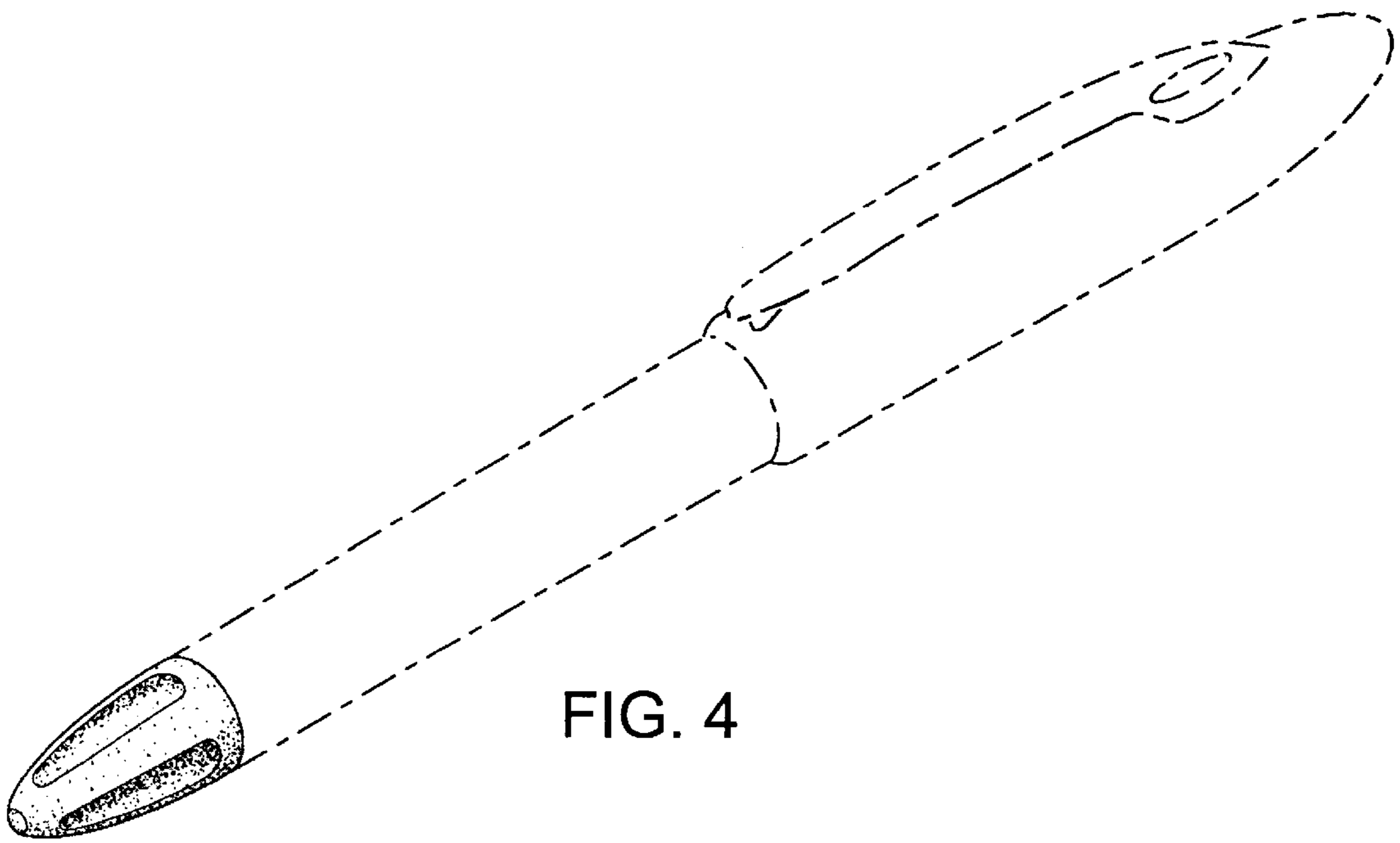


FIG. 4