



US00D482066S

(12) **United States Design Patent**
Hung

(10) **Patent No.:** **US D482,066 S**

(45) **Date of Patent:** **** Nov. 11, 2003**

(54) **MARKER**

(75) **Inventor:** **Peter M. H. Hung**, Kowloon (HK)

(73) **Assignee:** **Fulon Development Limited**, Kowloon (HK)

(**) **Term:** **14 Years**

(21) **Appl. No.:** **29/178,625**

(22) **Filed:** **Mar. 31, 2003**

(51) **LOC (7) Cl.** **19-06**

(52) **U.S. Cl.** **D19/43; D19/51; D19/55; D19/56**

(58) **Field of Search** D19/35, 36, 41-51, D19/53-58, 81-85; 401/98, 6, 7, 8, 202, 196, 198, 213, 243-247, 262, 284; 132/318

(56) **References Cited**

U.S. PATENT DOCUMENTS

2,695,028	A	*	11/1954	Dulberg	132/318
3,203,025	A	*	8/1965	Schreur	401/284
3,345,674	A	*	10/1967	De Groft	401/198
3,377,124	A	*	4/1968	Matsumoto	401/198
D327,912	S	*	7/1992	Tsai	D19/51

D331,940 S * 12/1992 Shirai et al. D19/51

5,308,178 A * 5/1994 Jiang 401/8

D470,529 S * 2/2003 Tu D19/43

D472,926 S * 4/2003 Nishitani et al. D19/50

D476,363 S * 6/2003 Hung D19/43

* cited by examiner

Primary Examiner—Martie K. Holtje

(74) *Attorney, Agent, or Firm*—Rabin & Berdo, P.C.

(57) **CLAIM**

The ornamental design for a marker, as shown and described.

DESCRIPTION

FIG. 1 is a perspective view of a marker showing my new design in an exploded condition;
FIG. 2 is a front view thereof;
FIG. 3 is a rear view thereof;
FIG. 4 is a left side view thereof;
FIG. 5 is a right side view thereof;
FIG. 6 is a top plan view thereof;
FIG. 7 is a bottom plan view thereof; and,
FIG. 8 is a perspective view with the cap attached.

1 Claim, 5 Drawing Sheets

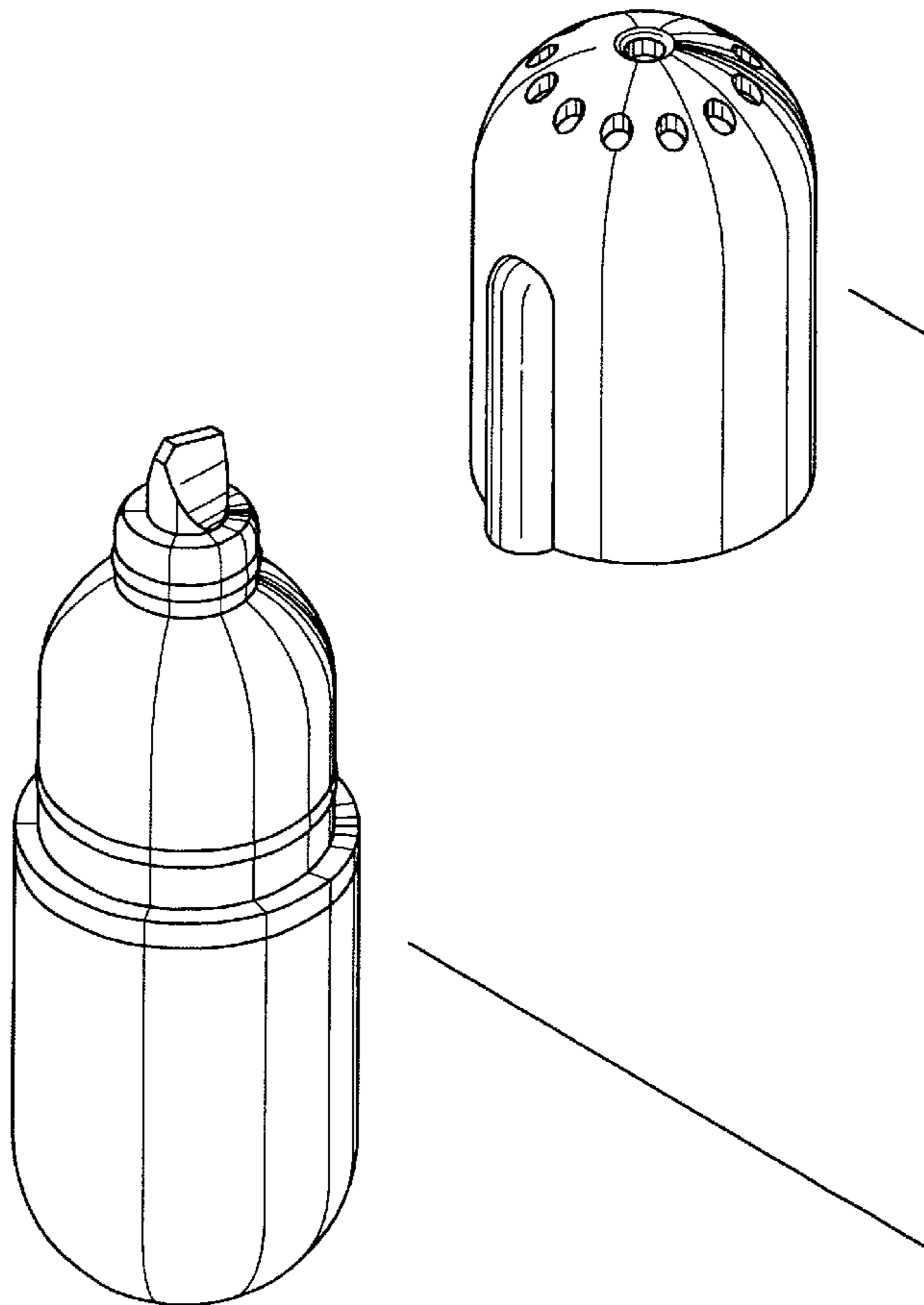
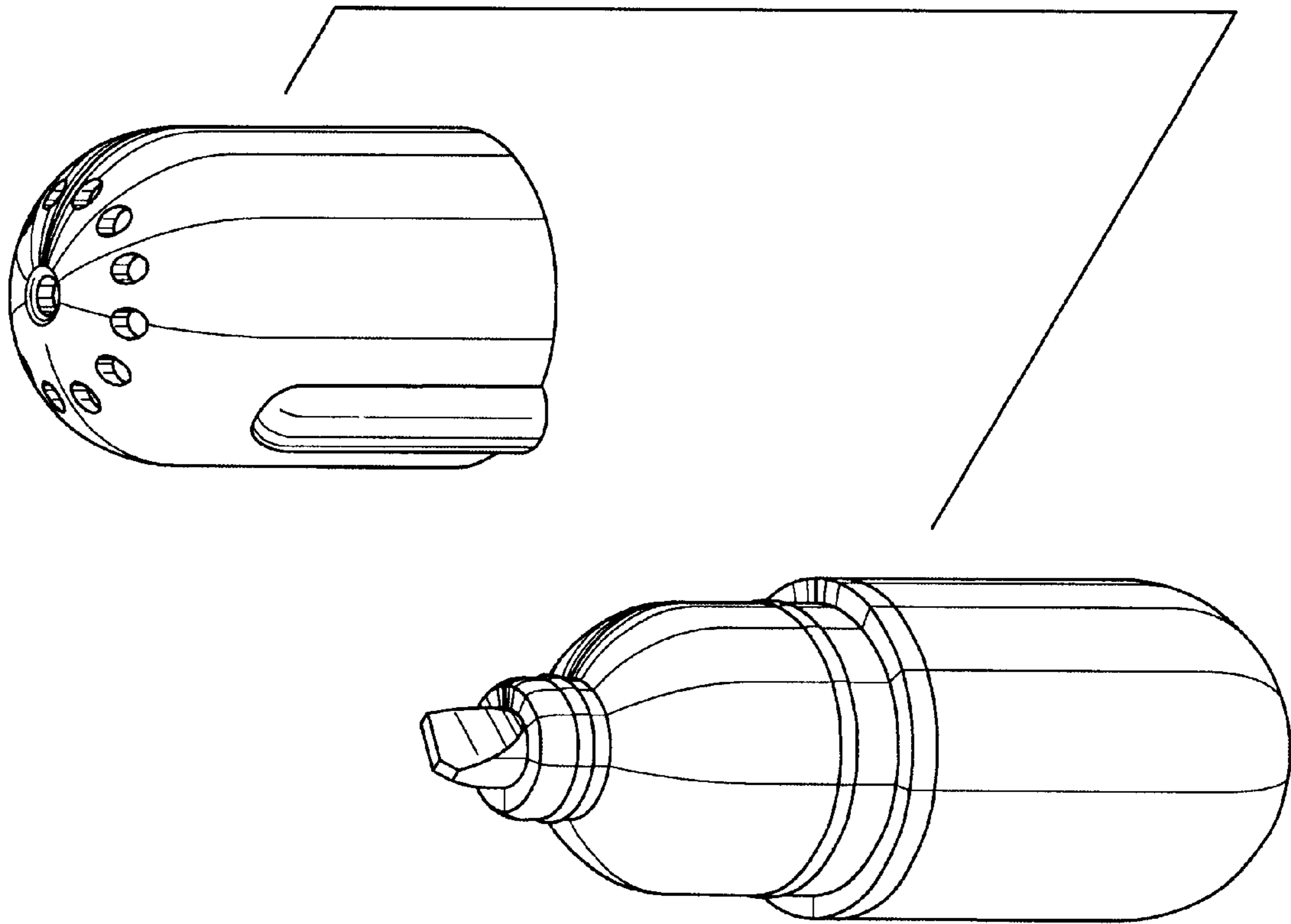


FIG. 1



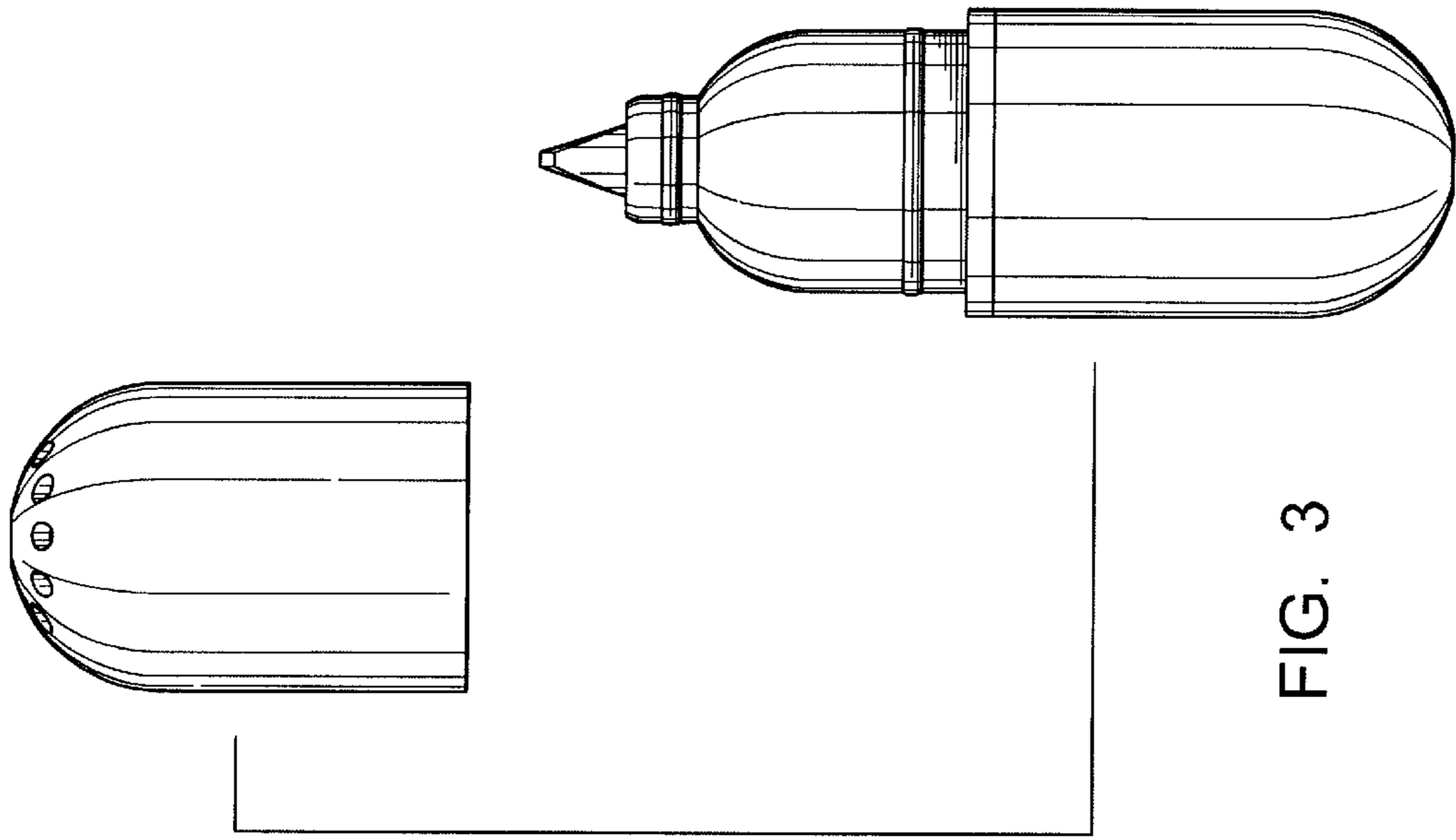


FIG. 2

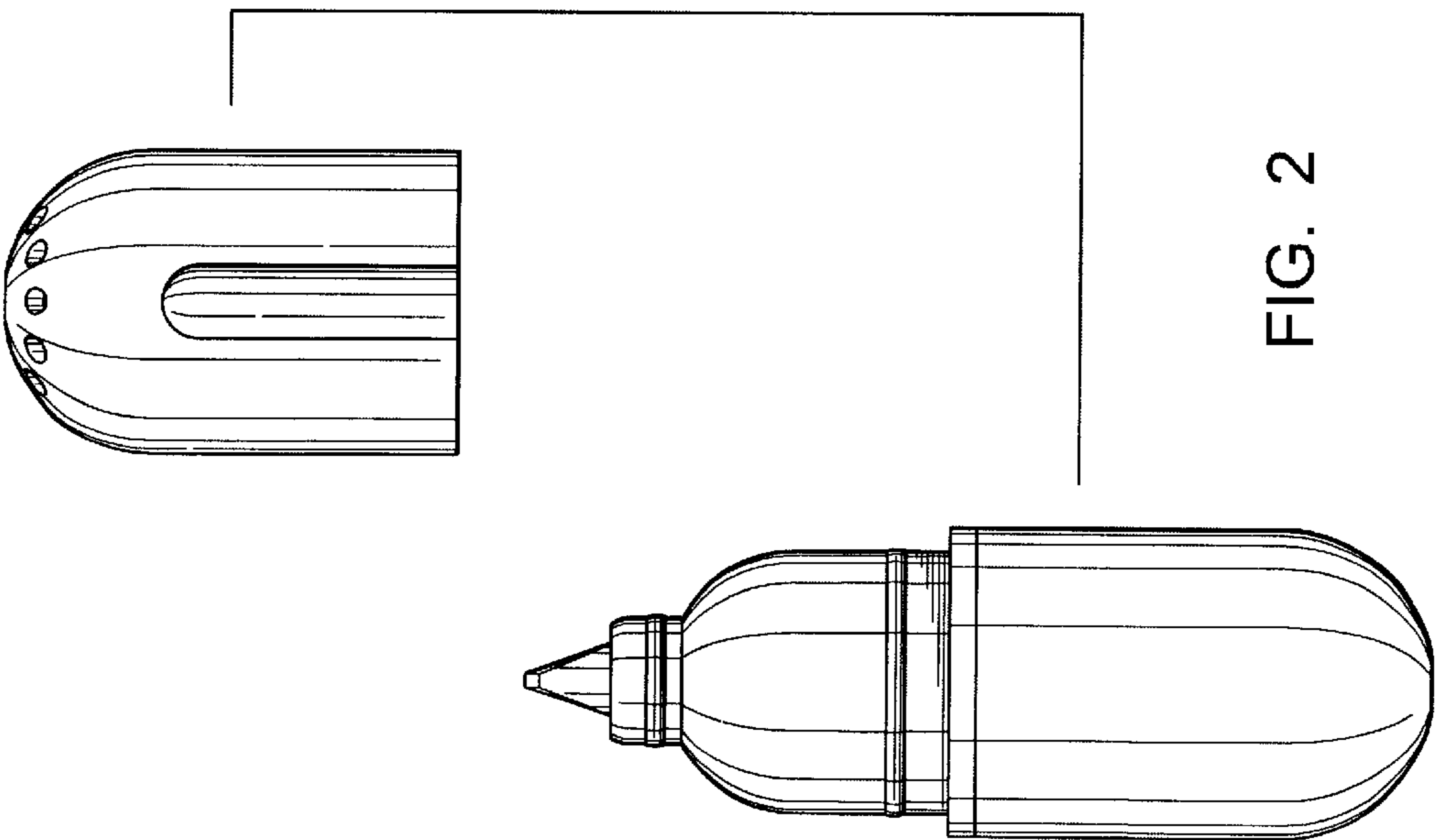


FIG. 3

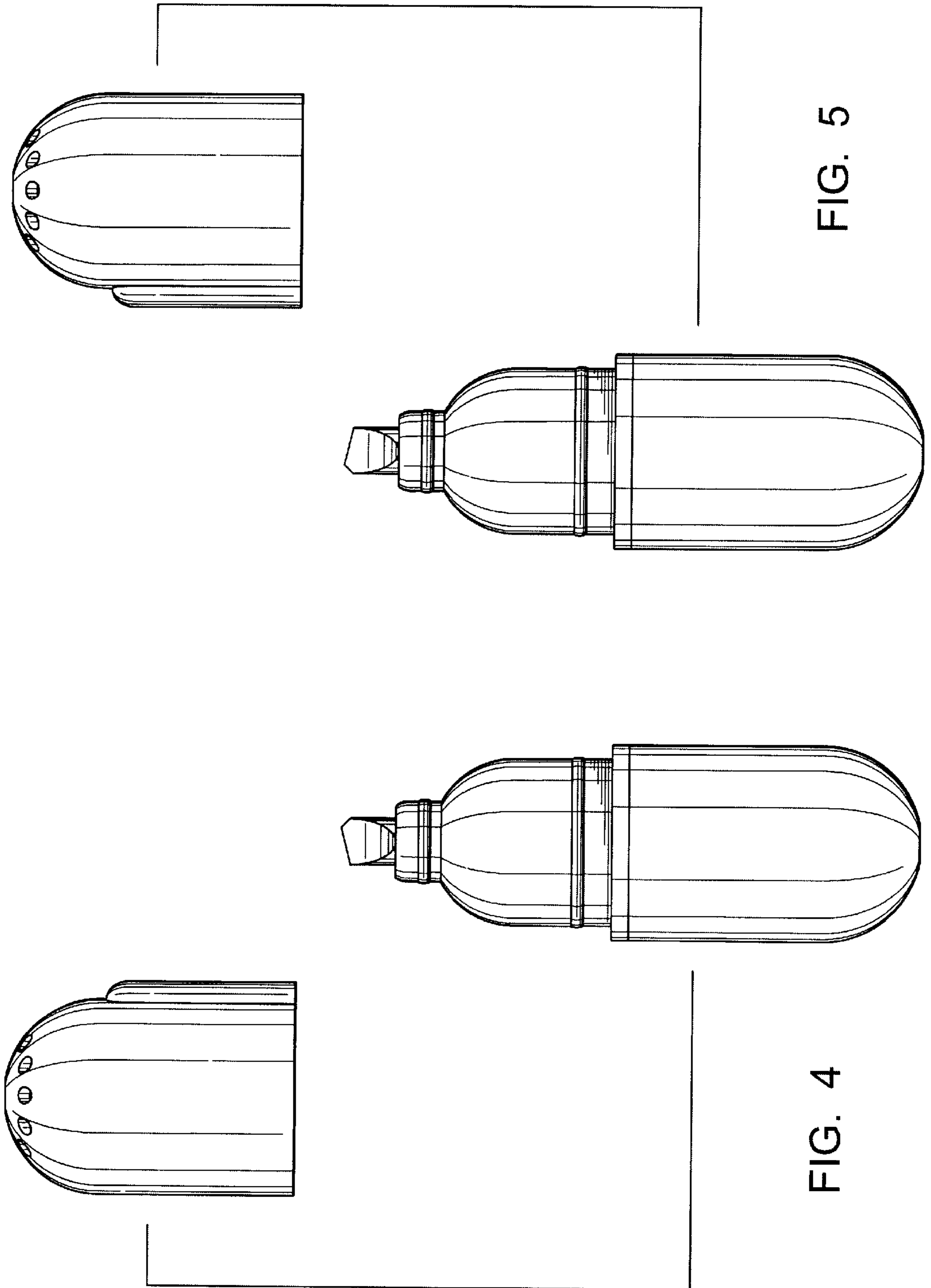


FIG. 5

FIG. 4

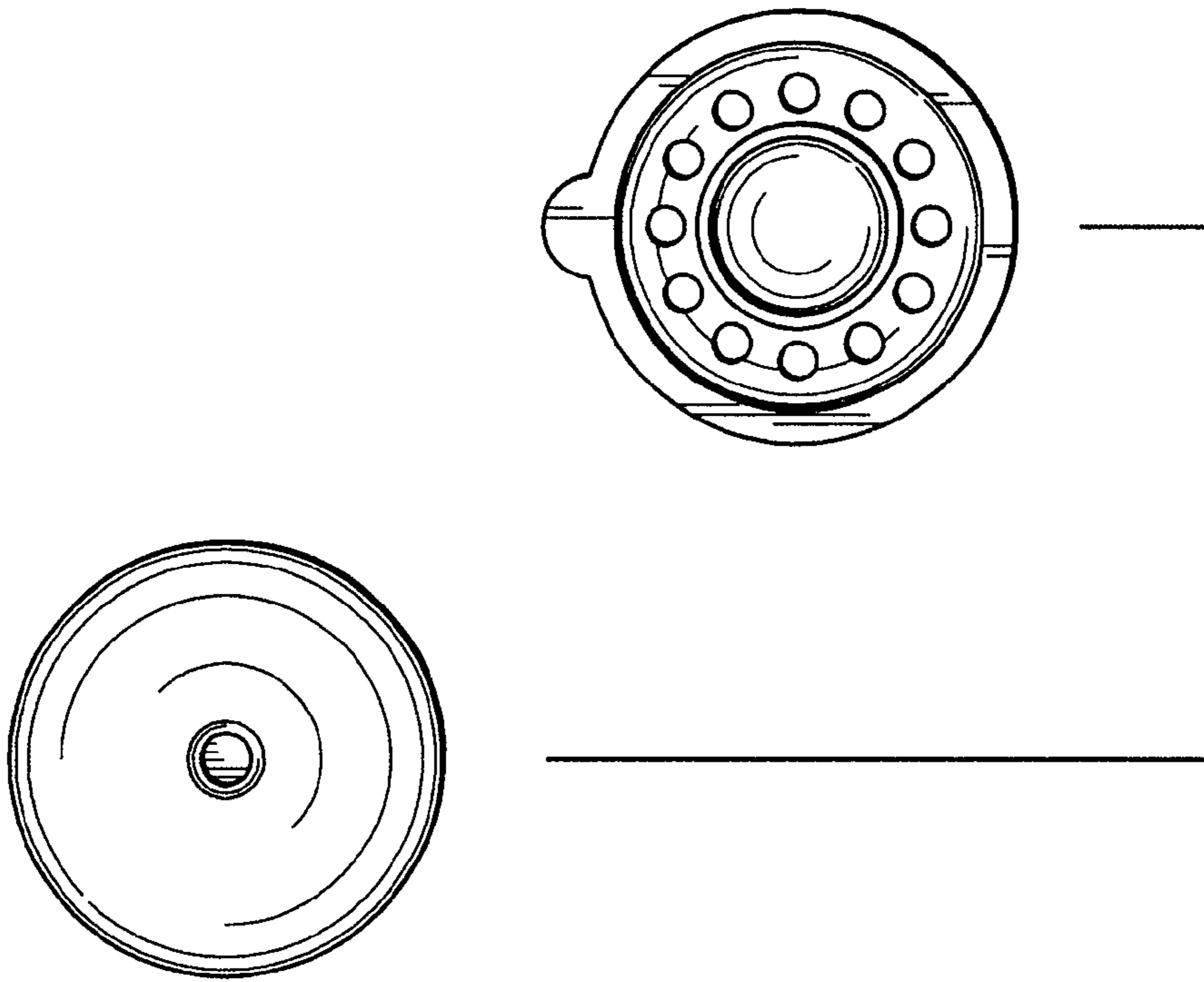


FIG. 7

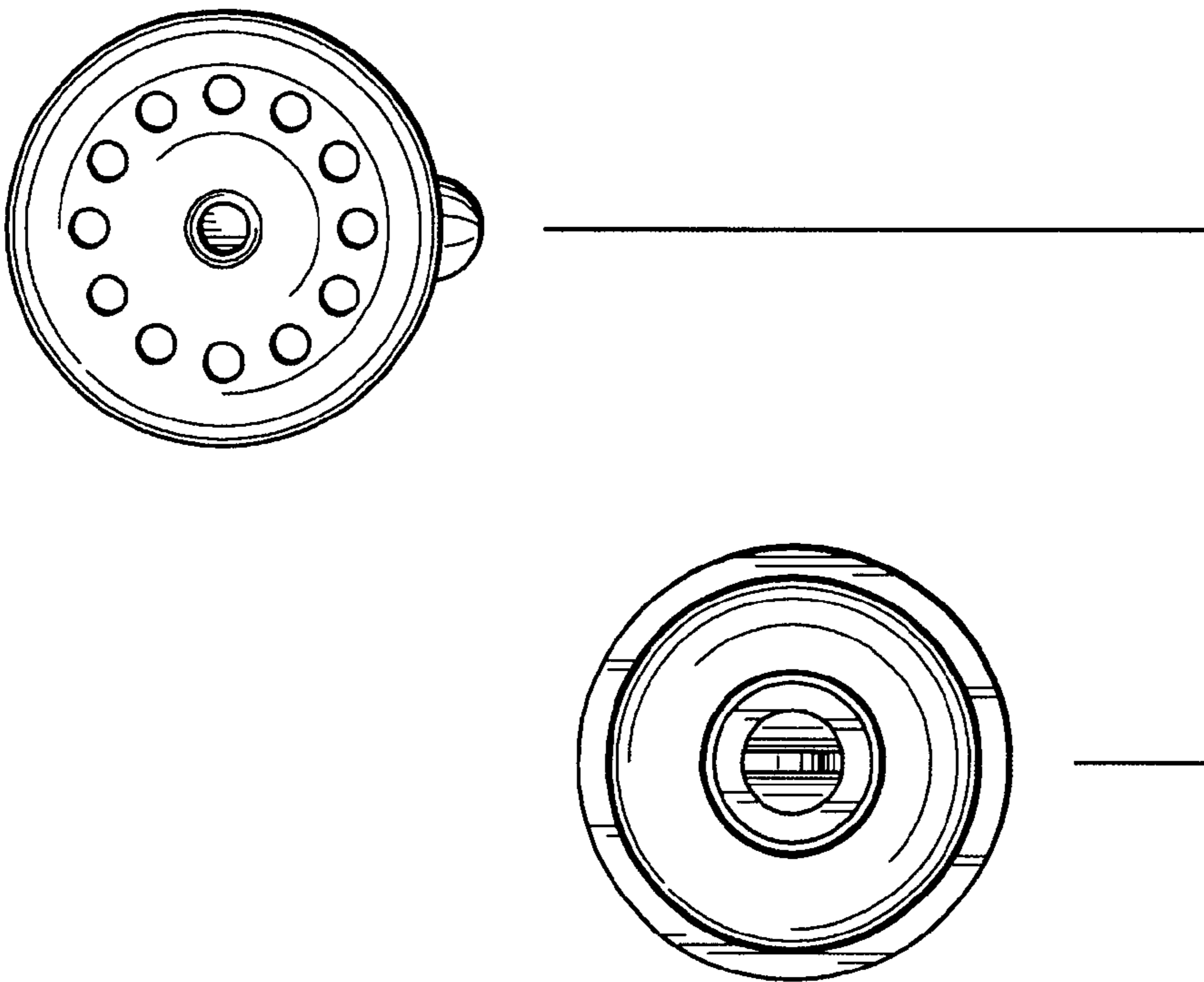


FIG. 6

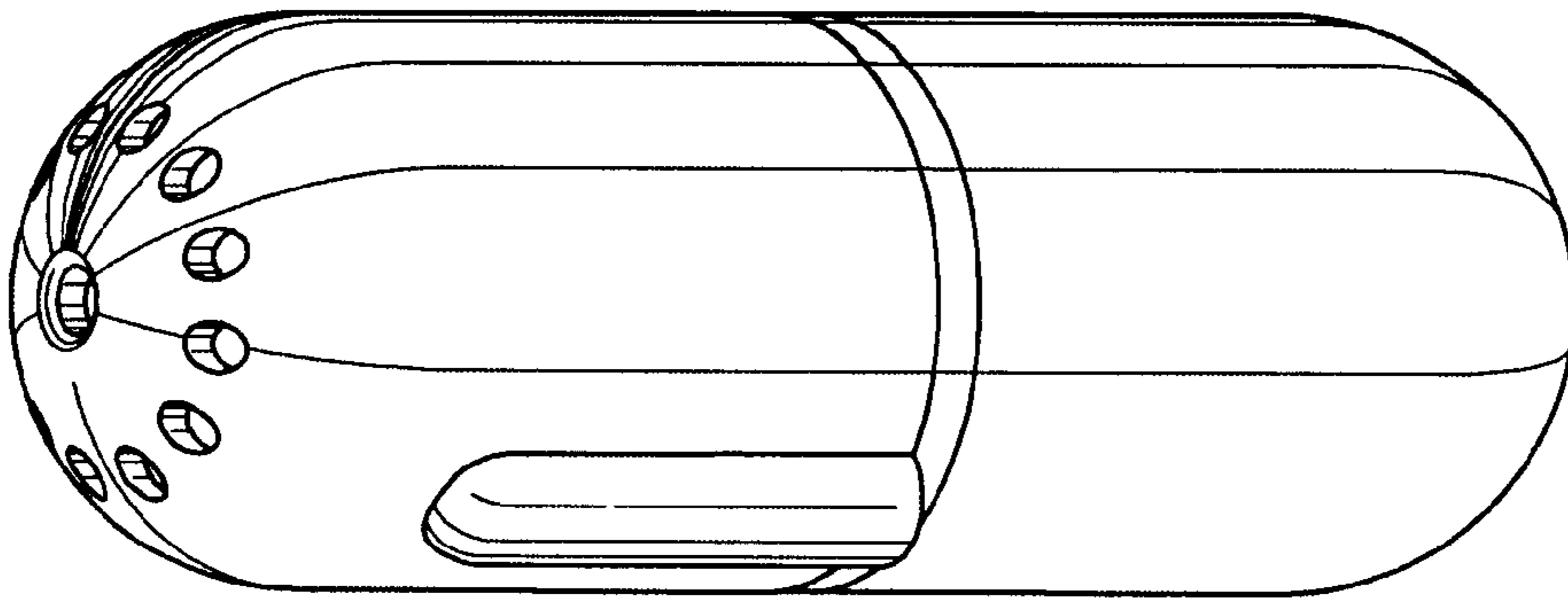


FIG. 8