



US00D482065S

(12) **United States Design Patent**
Hung

(10) **Patent No.:** **US D482,065 S**

(45) **Date of Patent:** **** Nov. 11, 2003**

(54) **MARKER**

(75) **Inventor:** **Peter M. H. Hung, Kowloon (HK)**

(73) **Assignee:** **Fulon Development Limited, Kowloon (HK)**

(**) **Term:** **14 Years**

(21) **Appl. No.:** **29/177,393**

(22) **Filed:** **Mar. 11, 2003**

(51) **LOC (7) Cl.** **19-06**

(52) **U.S. Cl.** **D19/36; D19/43; D19/48; D19/56; D19/57**

(58) **Field of Search** **D19/35, 36, 41-51, D19/53-58, 81-85; 401/98, 17, 18, 29-34, 202, 213, 243-247, 261, 262, 196, 198**

(56) **References Cited**

U.S. PATENT DOCUMENTS

2,457,217	A	*	12/1948	Ernst	401/34
D268,935	S	*	5/1983	Horntrich	D19/43
4,509,875	A	*	4/1985	Shintani	401/34
D279,992	S	*	8/1985	Gribb	D19/43
D295,537	S	*	5/1988	Davidson et al.	D19/43

D329,253 S * 9/1992 Sekiguchi D19/43

D366,279 S * 1/1996 Voorhees D19/36

D369,184 S * 4/1996 Collins D19/51

D389,515 S * 1/1998 Swieten D19/36

D454,587 S * 3/2002 Qiu D19/43

* cited by examiner

Primary Examiner—Martie K. Holtje

(74) *Attorney, Agent, or Firm*—Rabin & Berdo, P.C.

(57) **CLAIM**

The ornamental design for a marker, as shown and described.

DESCRIPTION

FIG. 1 is a perspective view of a marker showing my new design;

FIG. 2 is a front view thereof;

FIG. 3 is a left side view thereof;

FIG. 4 is a right side view thereof;

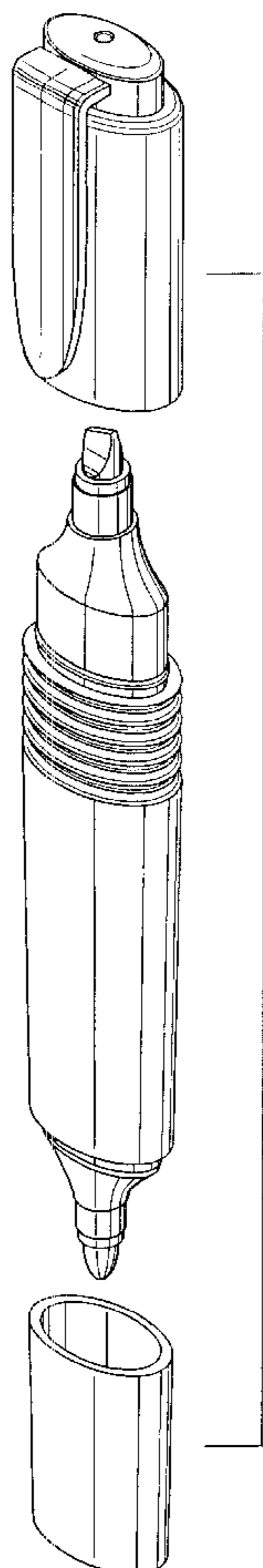
FIG. 5 is a rear view thereof;

FIG. 6 is a top plan view thereof;

FIG. 7 is a bottom plan view thereof; and,

FIG. 8 is a perspective view with the caps separated.

1 Claim, 3 Drawing Sheets



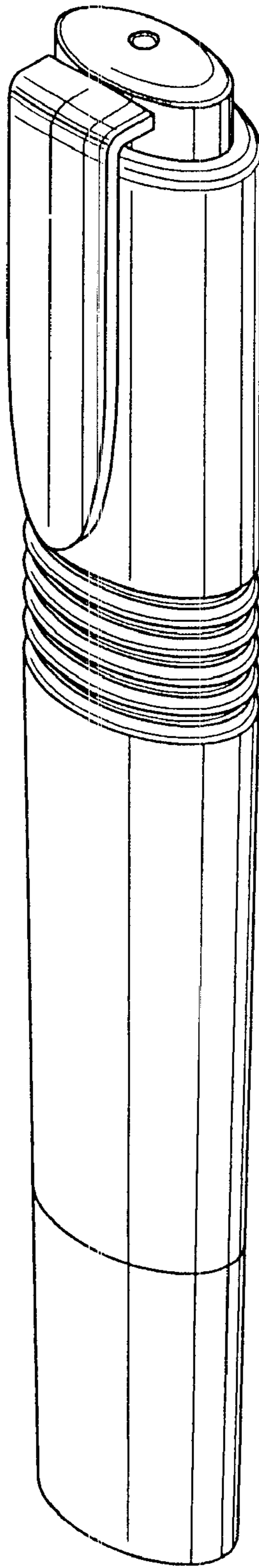


FIG. 1

FIG. 6

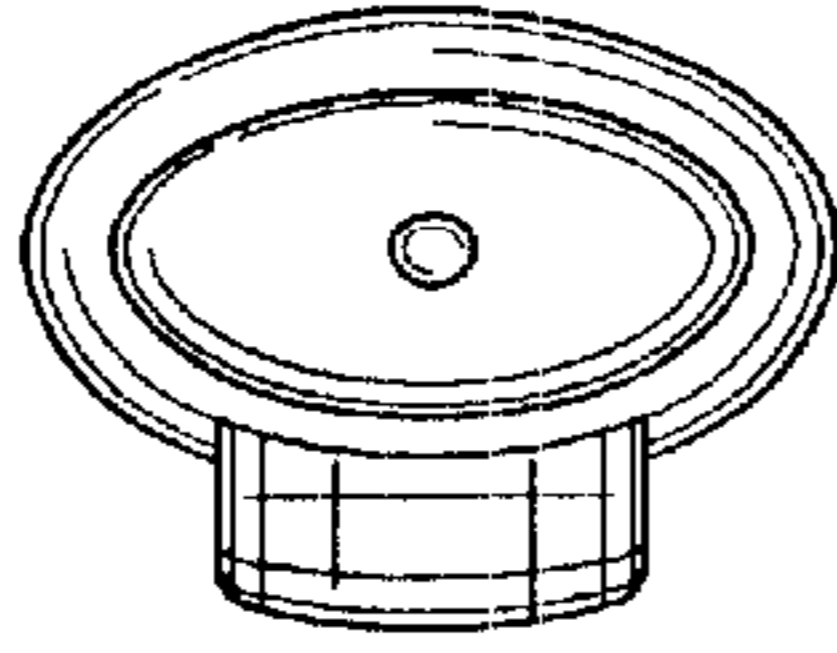


FIG. 7

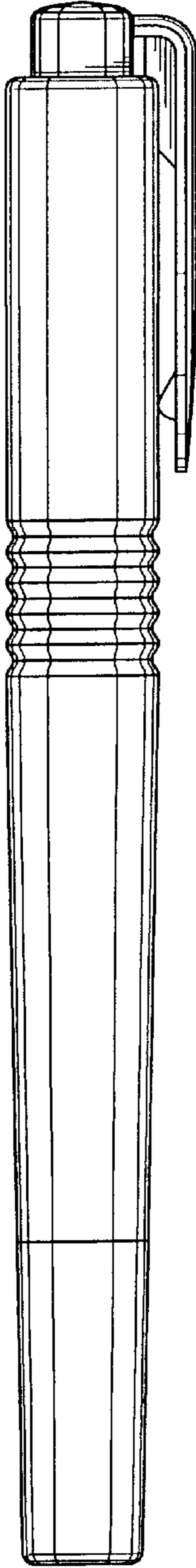
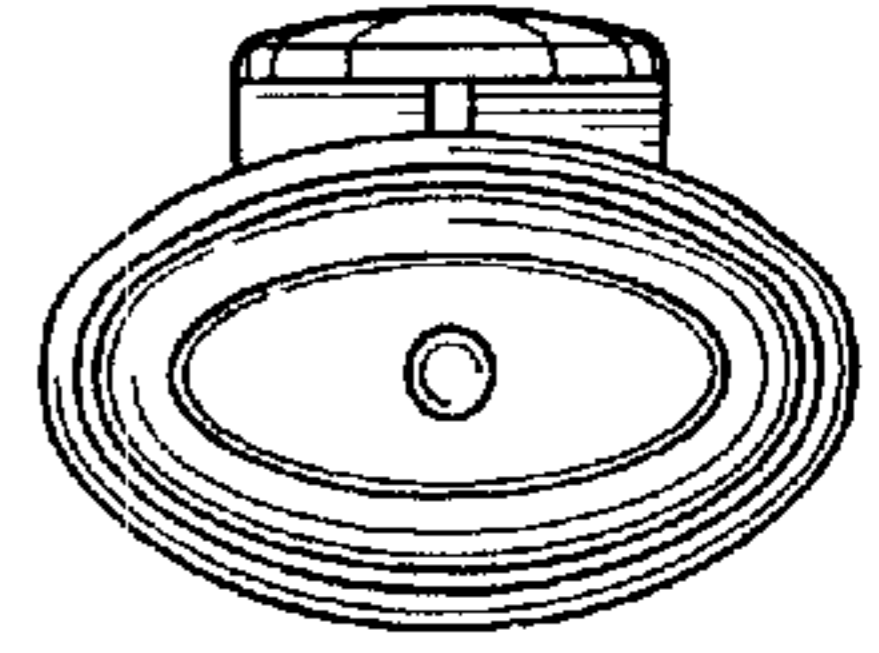


FIG. 3

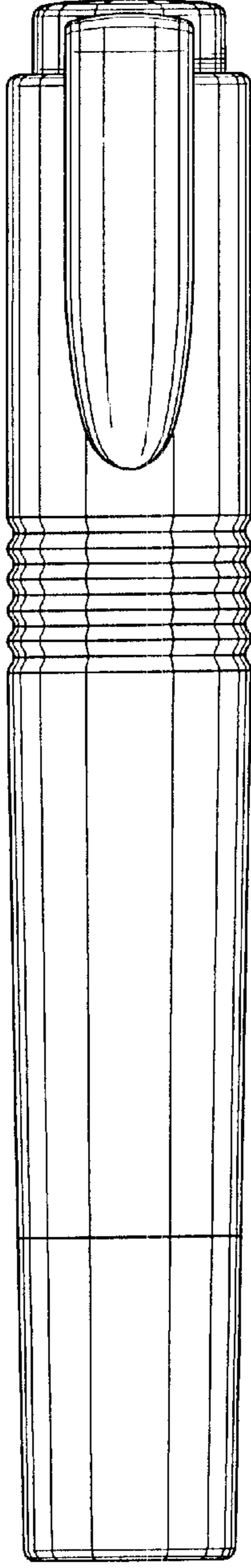


FIG. 2

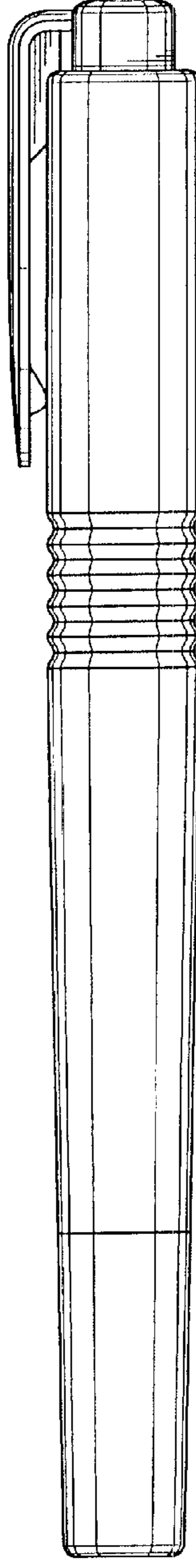


FIG. 4

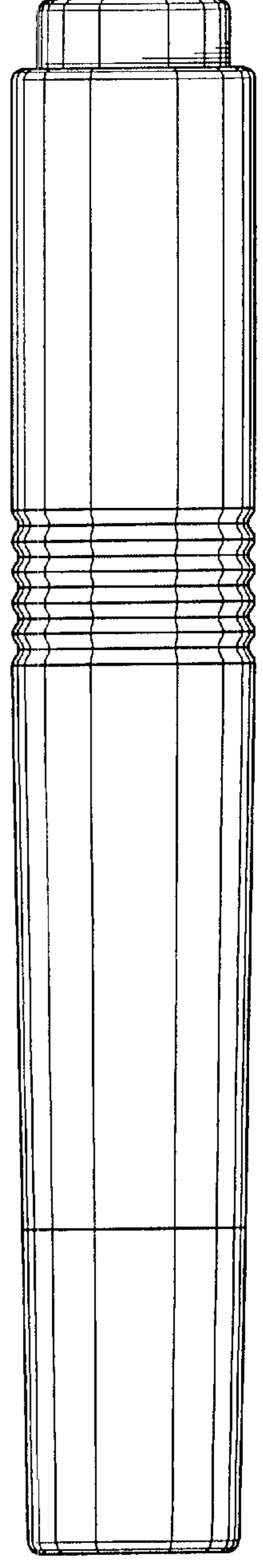


FIG. 5

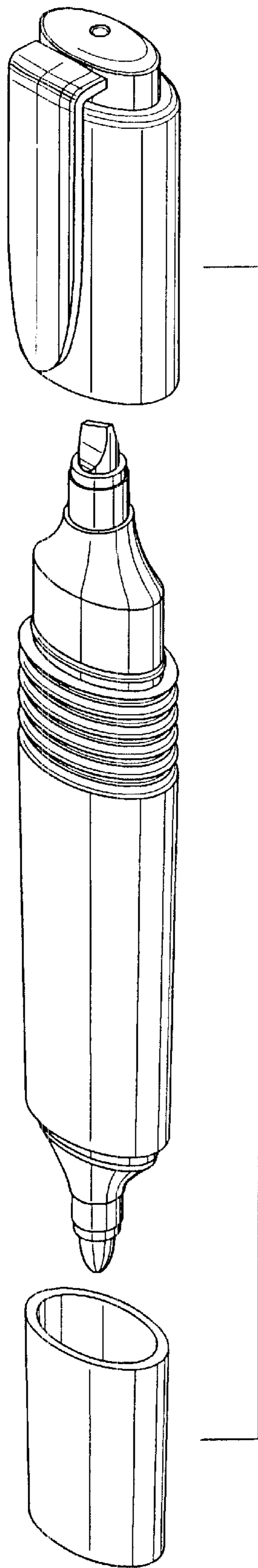


FIG. 8