



US00D482060S

(12) **United States Design Patent**
Hattori

(10) **Patent No.:** **US D482,060 S**

(45) **Date of Patent:** **** Nov. 11, 2003**

(54) **PRINTER WITH COPYING, SCANNING AND FACSIMILE FUNCTIONS**

(75) Inventor: **Mitsuharu Hattori**, Nagoya (JP)

(73) Assignee: **Brother Industries, Limited**, Nagoya (JP)

(**) Term: **14 Years**

(21) Appl. No.: **29/163,435**

(22) Filed: **Jul. 8, 2002**

(30) **Foreign Application Priority Data**

Jan. 7, 2002 (JP) 2002-000091

(51) **LOC (7) Cl.** **18-02**

(52) **U.S. Cl.** **D18/50**

(58) **Field of Search** D14/420-430,
D14/462-470; D18/19, 36-39, 50, 53, 54-55;
400/613, 613.1-613.4, 691-694, 690.1-690.4,
625

(56) **References Cited**

U.S. PATENT DOCUMENTS

D287,497 S * 12/1986 Goodner et al. D18/55

D324,395 S * 3/1992 Dubson D18/54
D348,899 S * 7/1994 Masujima et al. D18/55
D358,603 S * 5/1995 Dodge et al. D18/55
D381,678 S * 7/1997 Nakamura D18/50
D407,712 S * 4/1999 Hasegawa D14/422
D424,100 S * 5/2000 Hesselbach D18/50

* cited by examiner

Primary Examiner—Cathy Anne MacCormac

(74) *Attorney, Agent, or Firm*—Oliff & Berridge, PLC

(57) **CLAIM**

The ornamental design for a printer with copying, scanning and facsimile functions, as shown and described.

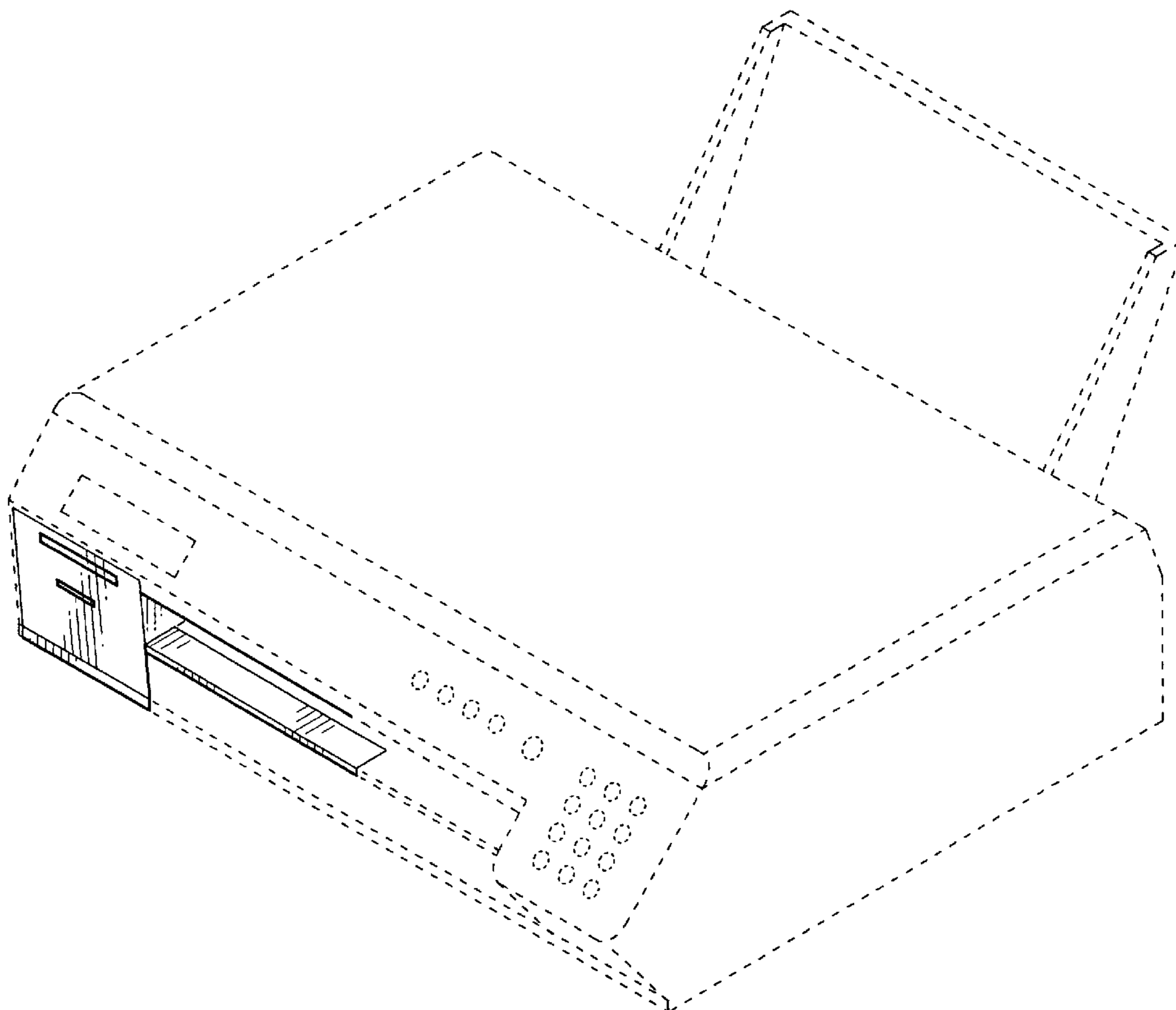
DESCRIPTION

FIG. 1 is a perspective view of a printer with copying, scanning and facsimile functions; FIG. 2 is a front view thereof; and, FIG. 3 is a bottom view thereof.

The rear, right and top views contain no ornamentality and are omitted.

The broken lines are for purposes of illustration only and form no part of the claimed design.

1 Claim, 3 Drawing Sheets



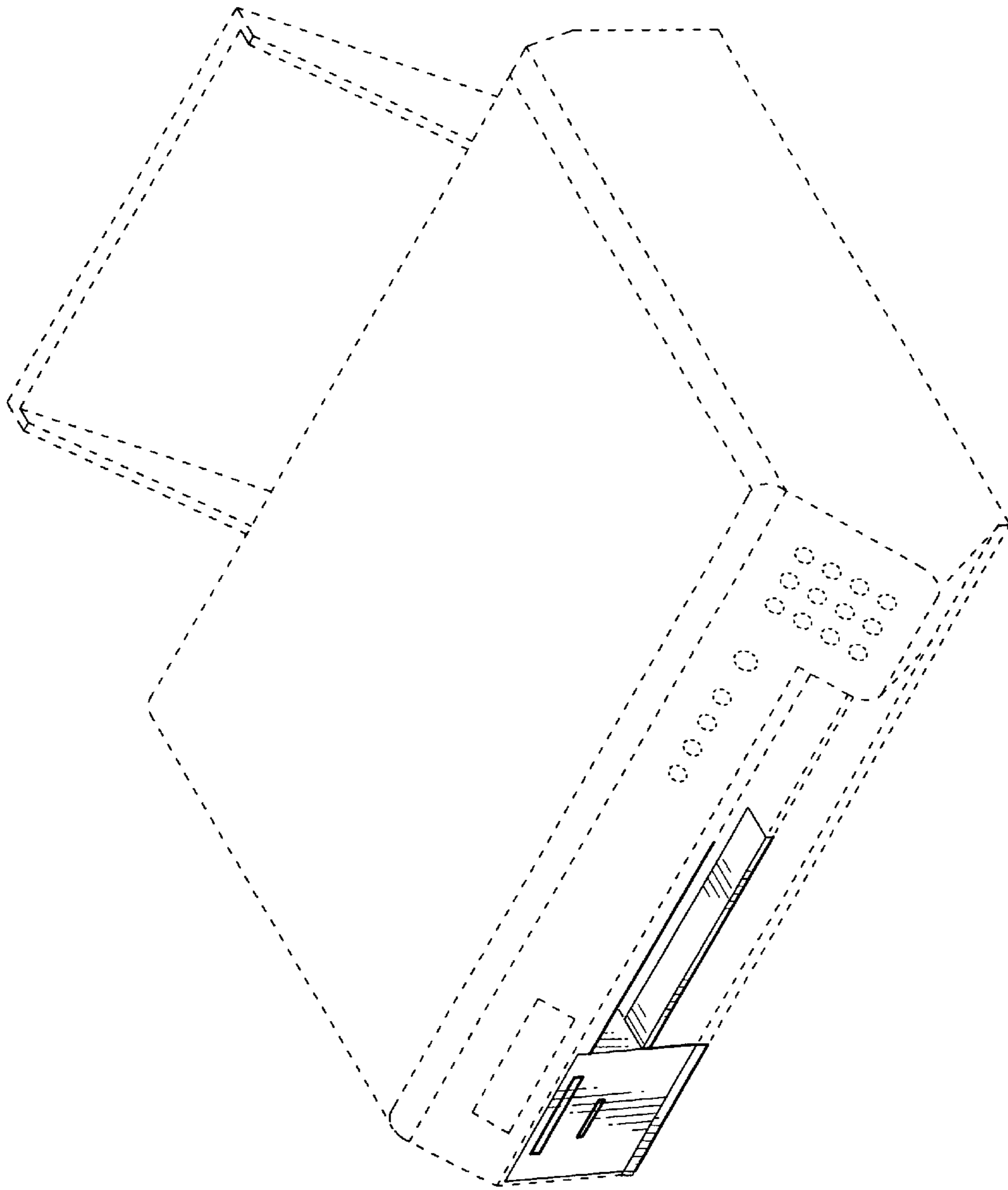


Fig. 1

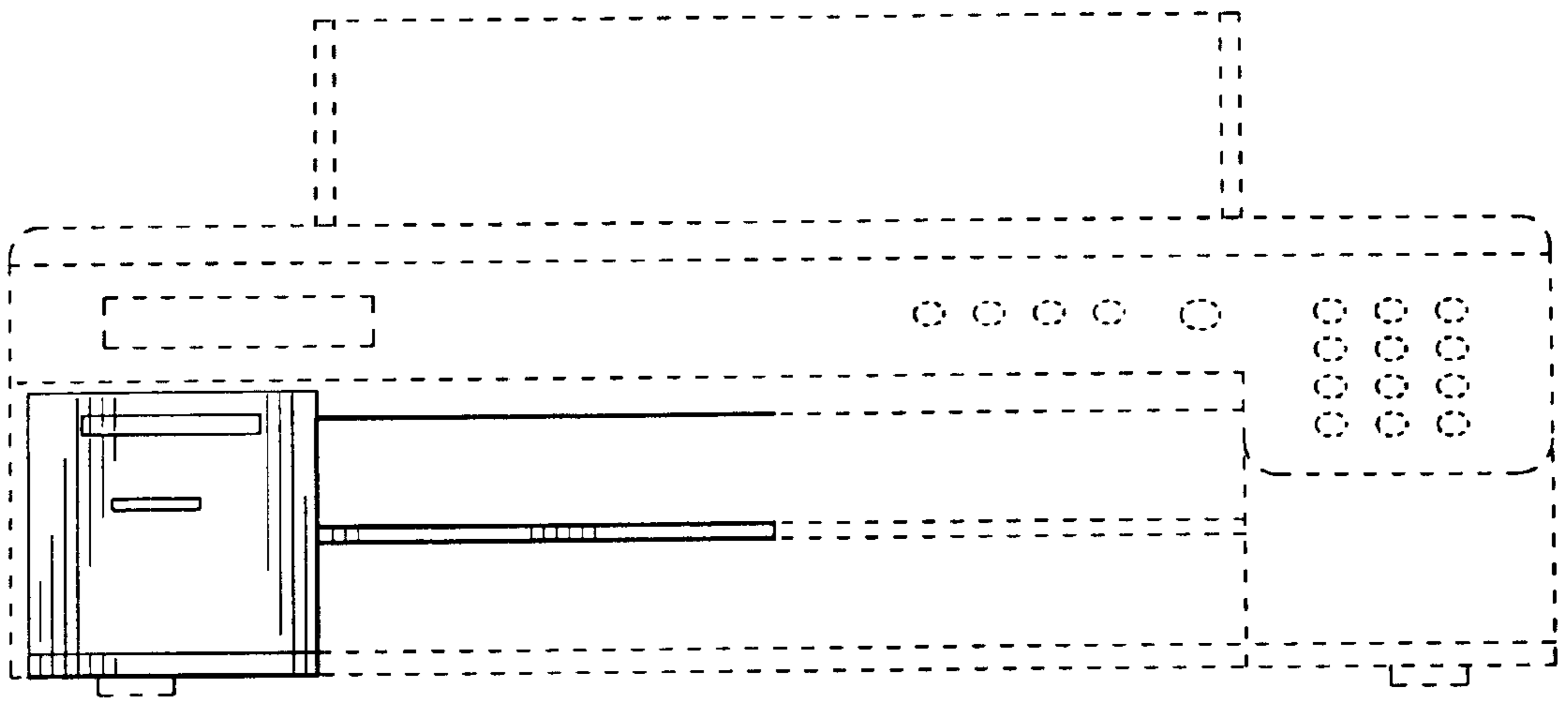


Fig. 2

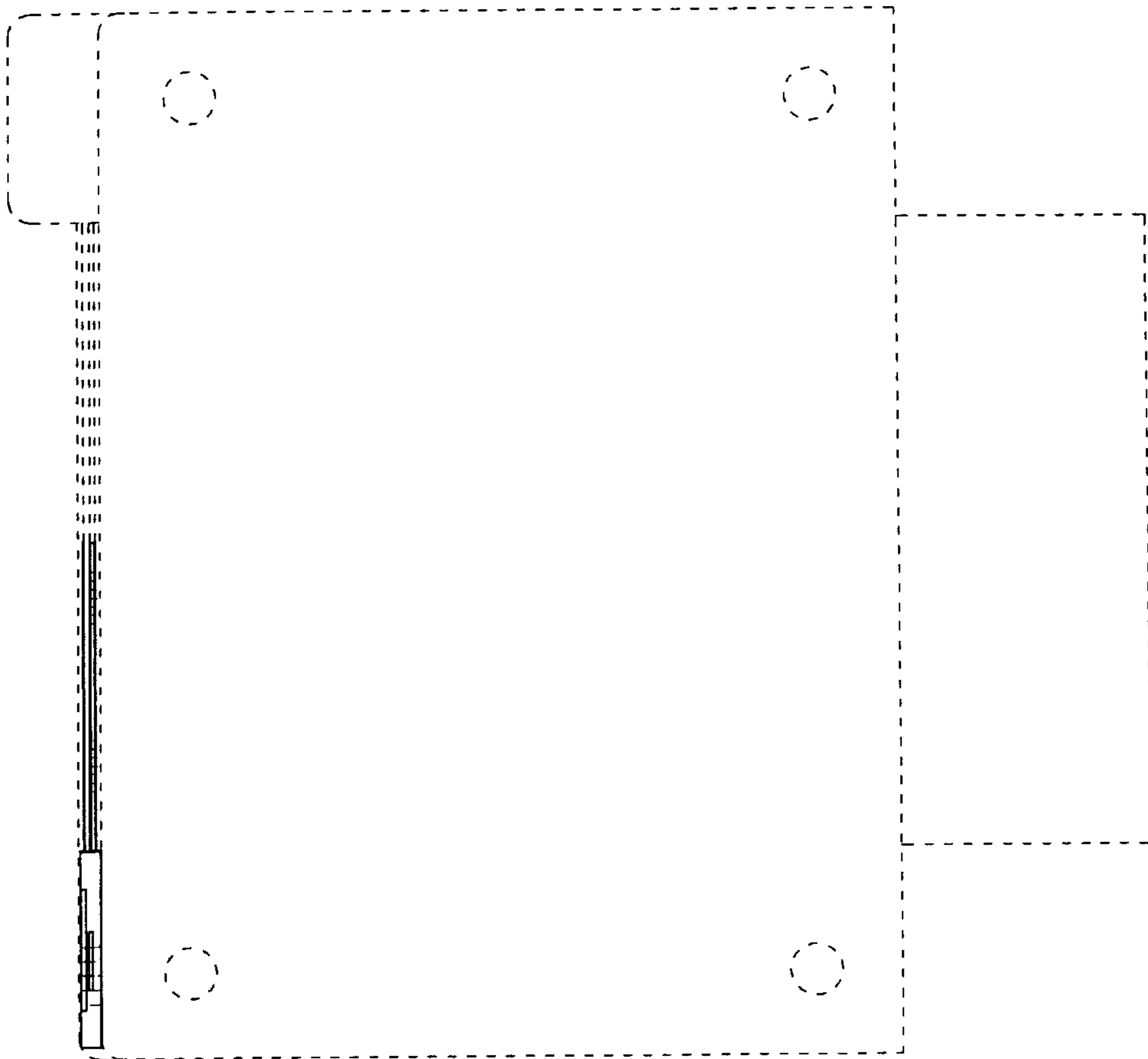


Fig. 3