



US00D482054S

(12) **United States Design Patent**
Nasu

(10) **Patent No.:** **US D482,054 S**

(45) **Date of Patent:** **** Nov. 11, 2003**

(54) **DIGITAL CAMERA**

D471,220 S * 3/2003 Hamamura D16/202

(75) Inventor: **Miyoshi Nasu**, Tokyo (JP)

FOREIGN PATENT DOCUMENTS

(73) Assignee: **Pentax Corporation**, Tokyo (JP)

JP 1129208 12/2001

(**) Term: **14 Years**

* cited by examiner

(21) Appl. No.: **29/167,188**

Primary Examiner—Adir Aronovich
(74) *Attorney, Agent, or Firm*—Sughrue Mion, PLLC

(22) Filed: **Sep. 11, 2002**

(57) **CLAIM**

(30) **Foreign Application Priority Data**

The ornamental design for a digital camera, as shown and described.

Mar. 12, 2002 (JP) 2002-006363

(51) **LOC (7) Cl.** **16-01**

DESCRIPTION

(52) **U.S. Cl.** **D16/202; D16/218**

(58) **Field of Search** D16/200–205,
D16/208, 209, 218; 348/373–376; 358/909.1;
396/6, 25, 535–541

FIG. 1 is a perspective view of the top, front and left side of a digital camera showing my new design;
FIG. 2 is a top plan view thereof;
FIG. 3 is a front elevational view thereof;
FIG. 4 is a left side elevational view thereof;
FIG. 5 is a right side elevational view thereof;
FIG. 6 is a rear elevational view thereof;
FIG. 7 is a bottom plan view thereof; and,
FIG. 8 is a perspective view similar to FIG. 1 with the lens extended.

(56) **References Cited**

U.S. PATENT DOCUMENTS

D418,851 S * 1/2000 Goto et al. D16/202
D425,093 S * 5/2000 Chang D16/209
D431,583 S * 10/2000 Matsuda D16/202
6,377,751 B1 * 4/2002 Uchiyama 396/25
D457,903 S * 5/2002 Nasu D16/202

1 Claim, 5 Drawing Sheets

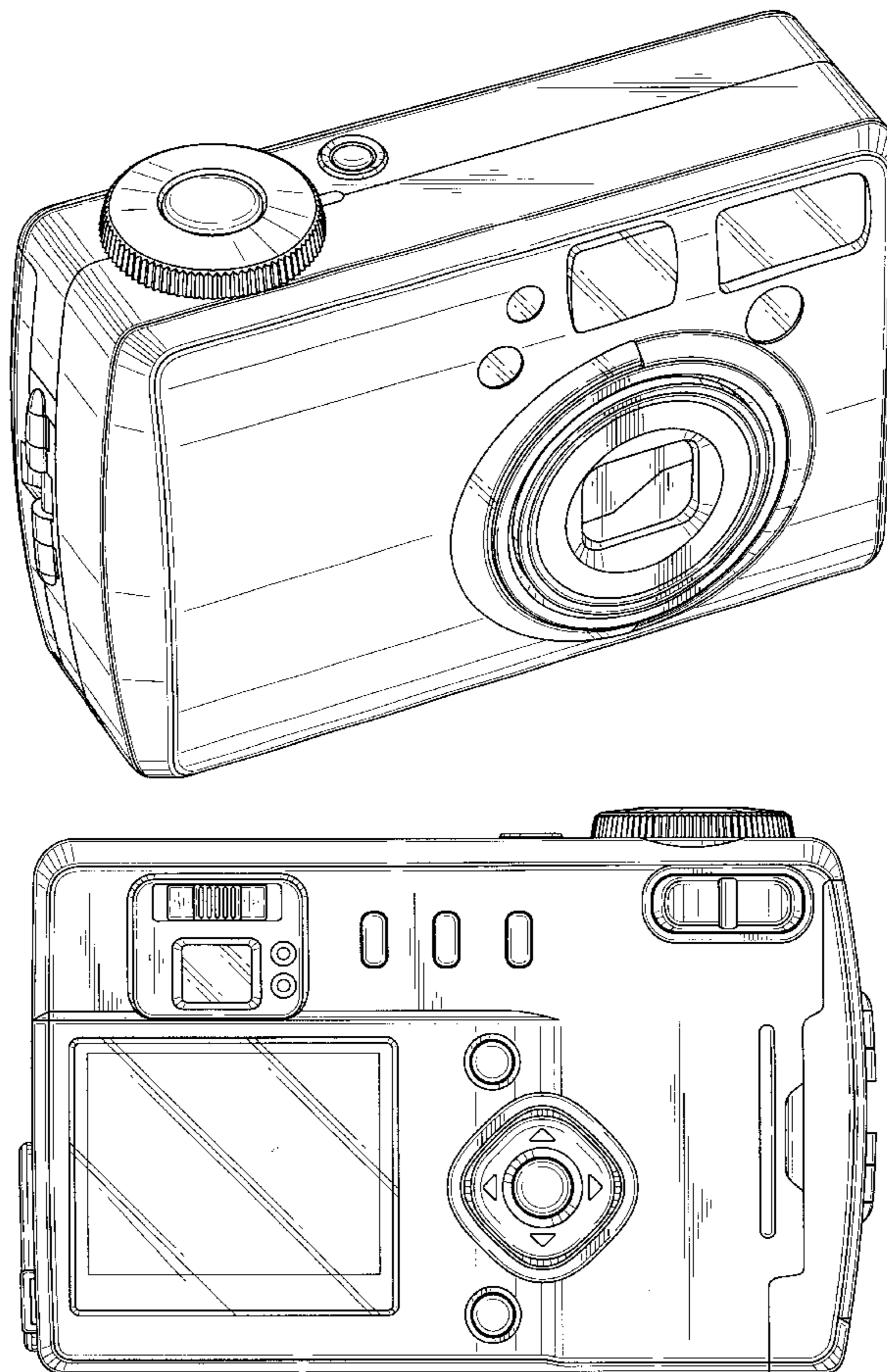


FIG. 1

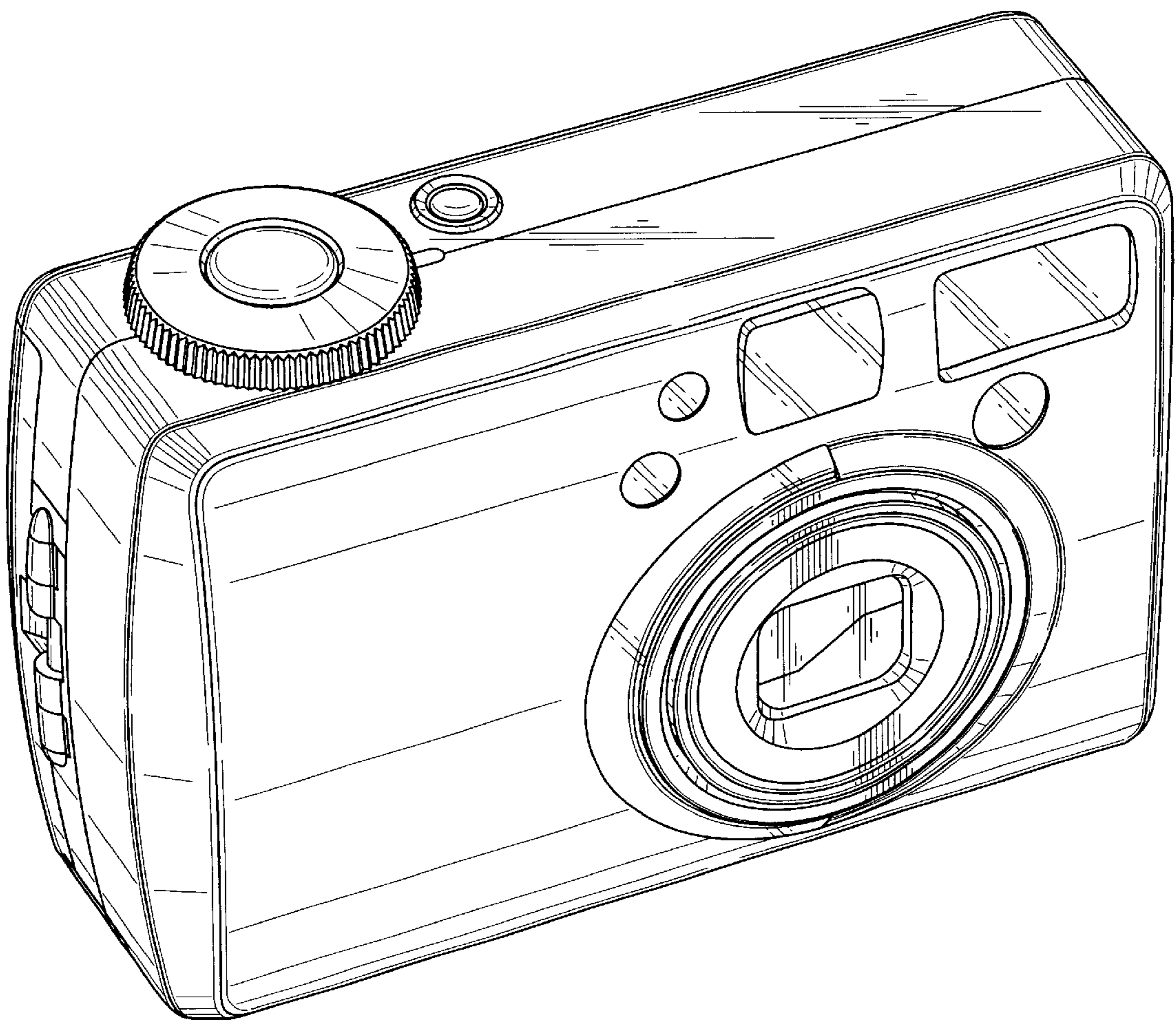


FIG. 2

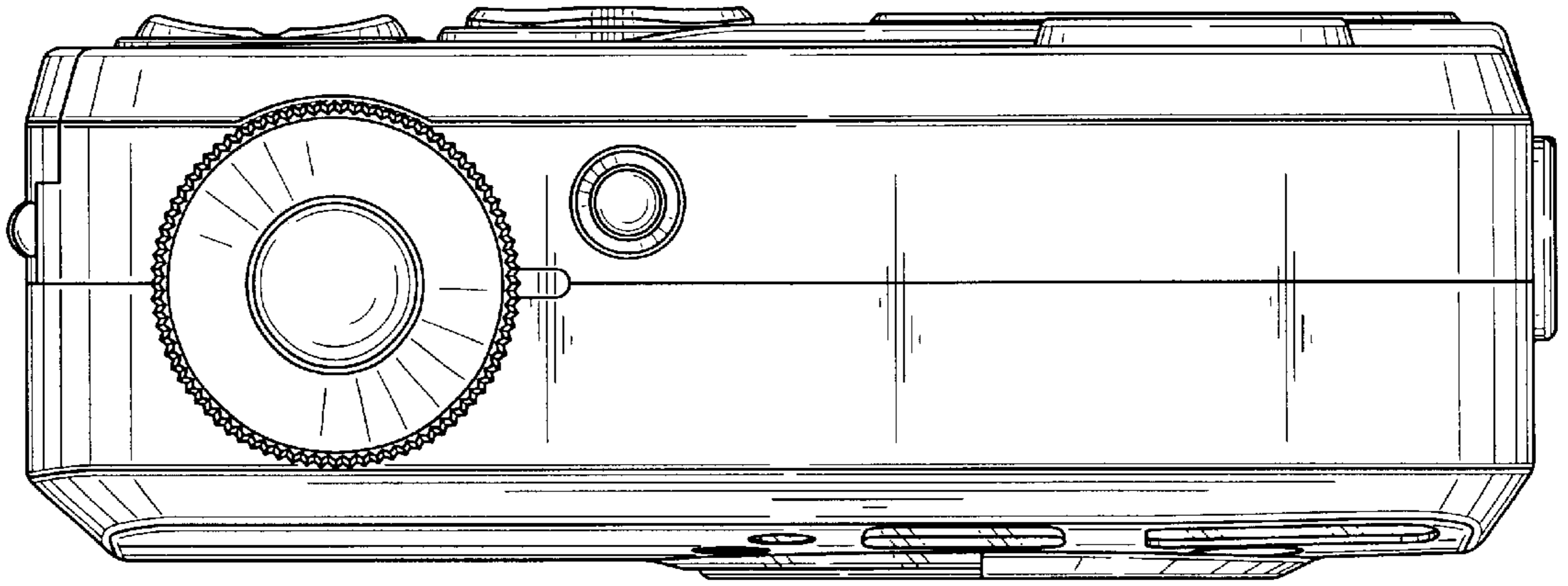


FIG. 3

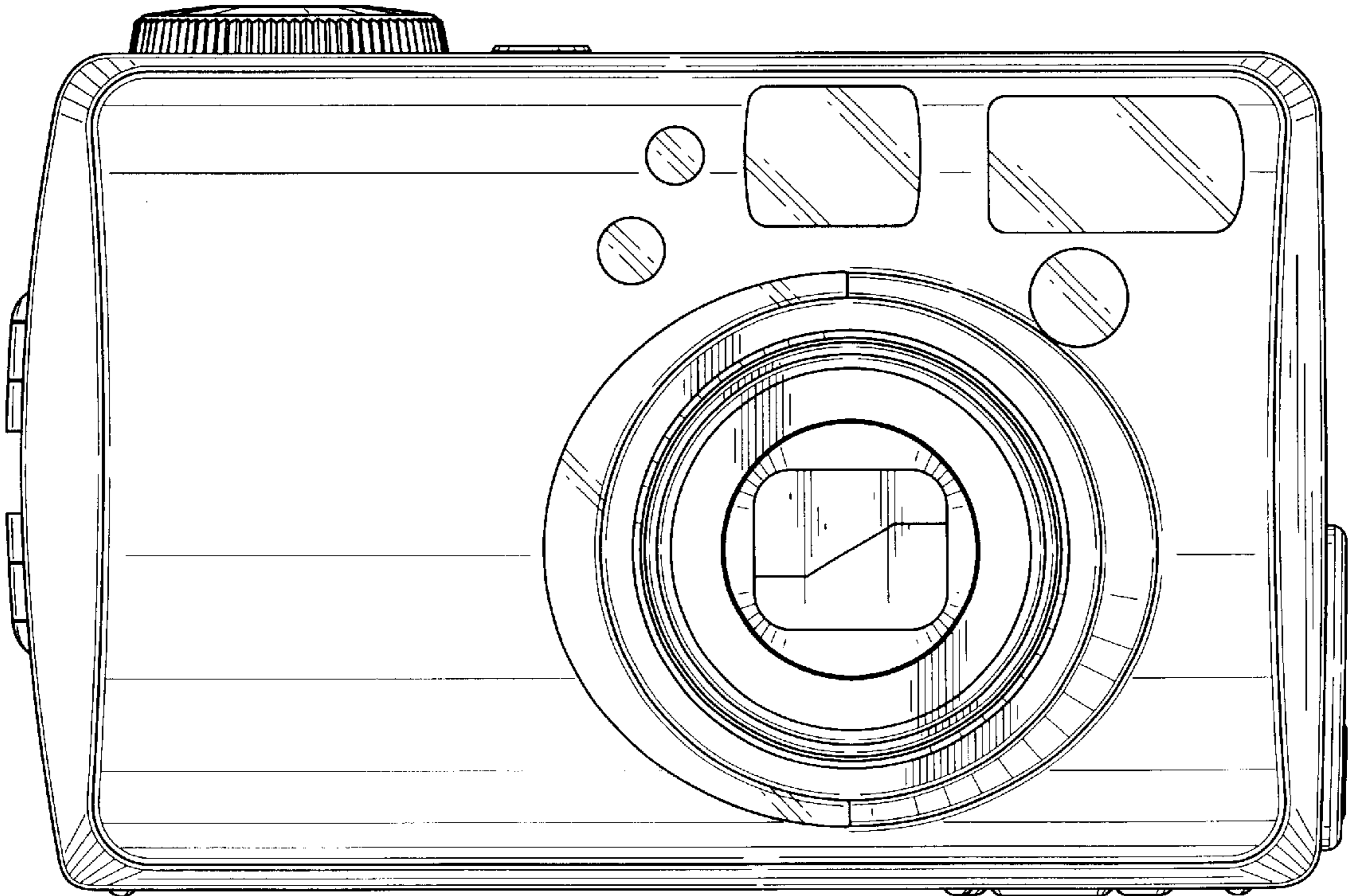


FIG. 4

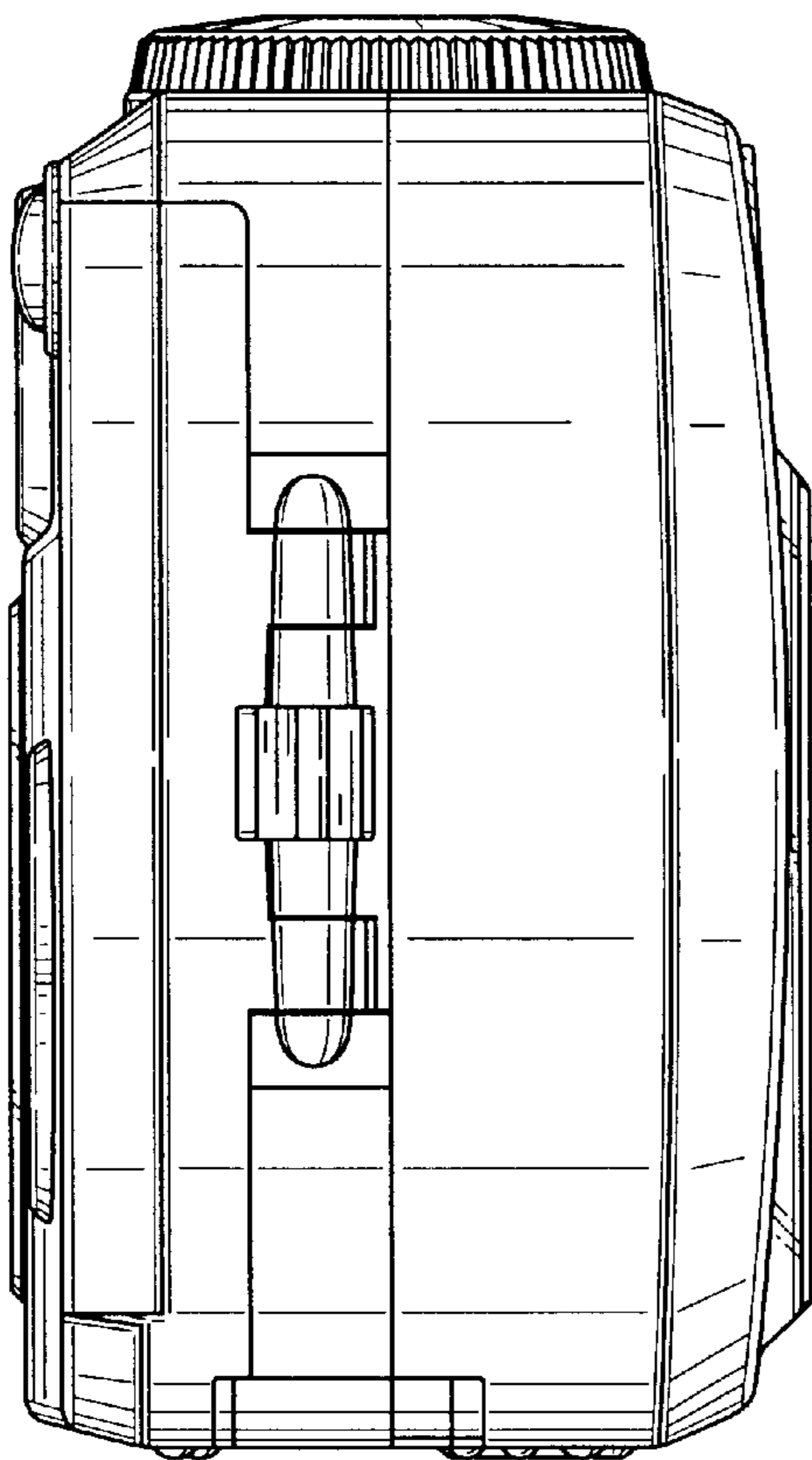


FIG. 5



FIG. 6

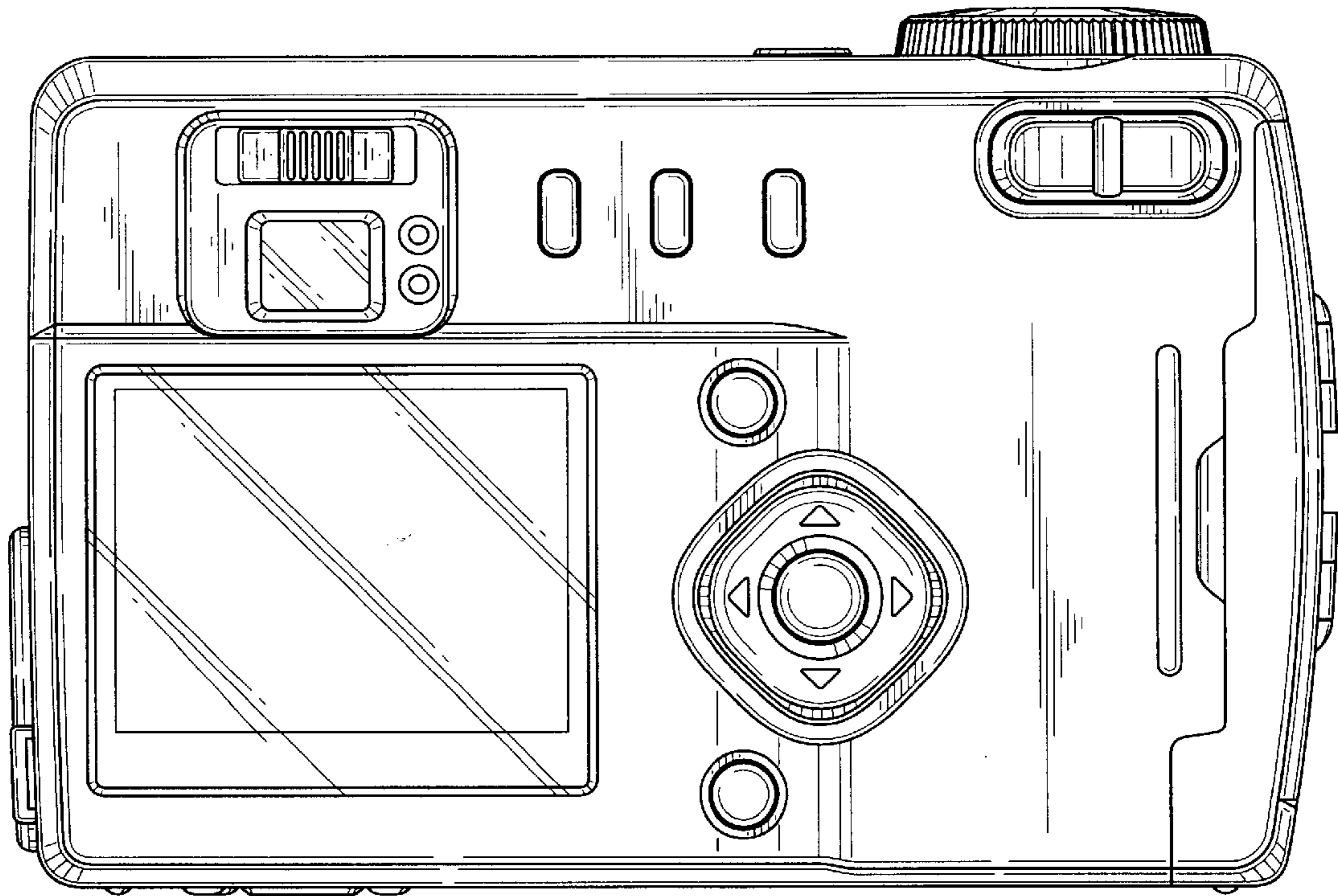


FIG. 7

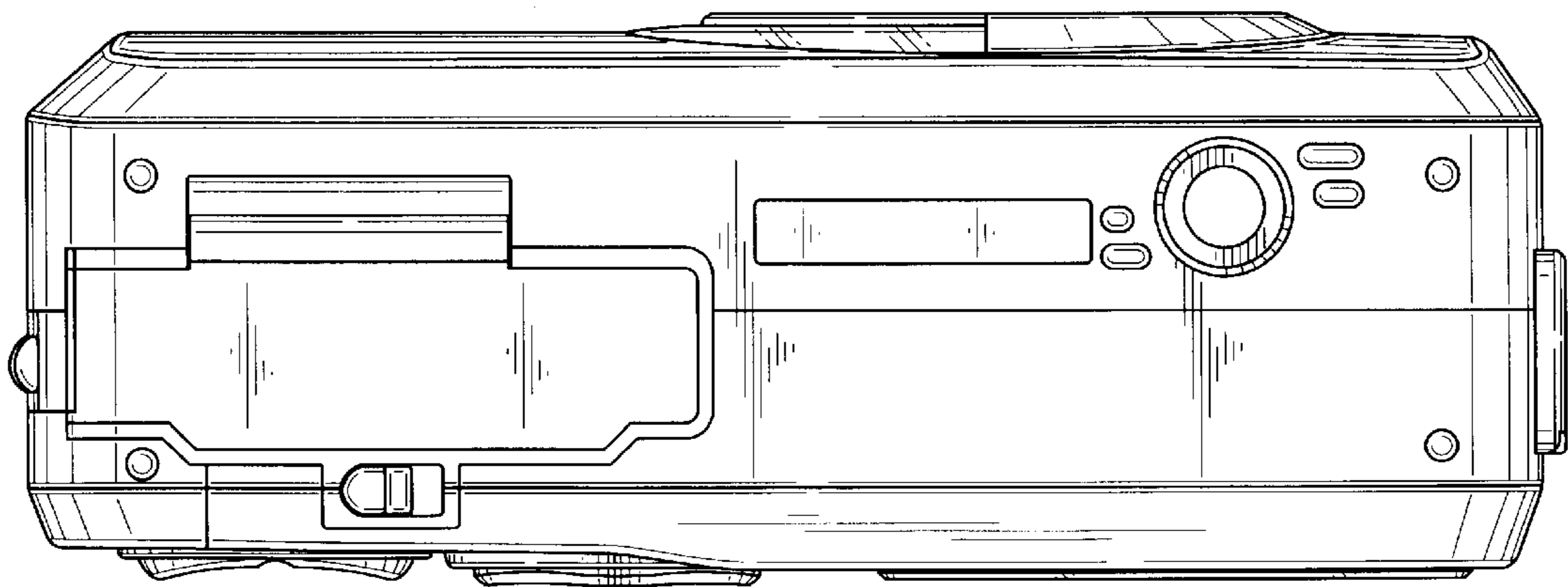


FIG. 8

