



US00D482053S

(12) **United States Design Patent**
Ip et al.

(10) **Patent No.:** **US D482,053 S**

(45) **Date of Patent:** **** Nov. 11, 2003**

(54) **CAMERA**

(75) Inventors: **Sui Fong Ip, Ma On Shan (CN); Luc Mathern, Mid Level (CN)**

(73) Assignee: **Concord Camera Corp., Hollywood, FL (US)**

(**) Term: **14 Years**

(21) Appl. No.: **29/167,170**

(22) Filed: **Sep. 10, 2002**

(51) **LOC (7) Cl.** **16-01**

(52) **U.S. Cl.** **D16/202**

(58) **Field of Search** D16/200-204,
D16/208, 209, 218; 348/373-376; 396/6,
535, 536-541

(56) **References Cited**

U.S. PATENT DOCUMENTS

D441,777 S * 5/2001 Katayama D16/202
D456,435 S * 4/2002 Hisatomi et al. D16/202

D457,903 S * 5/2002 Nasu D16/202
D462,371 S * 9/2002 Hamamura D16/202
D462,705 S * 9/2002 Hamamura D16/202

* cited by examiner

Primary Examiner—Adir Aronovich

(74) *Attorney, Agent, or Firm*—Scott L. Lampert; Kerry Sisselman

(57) **CLAIM**

The ornamental design for a camera, as shown and described.

DESCRIPTION

FIG. 1 is a front elevational view of a camera showing our new design.

FIG. 2 is a rear elevational view thereof.

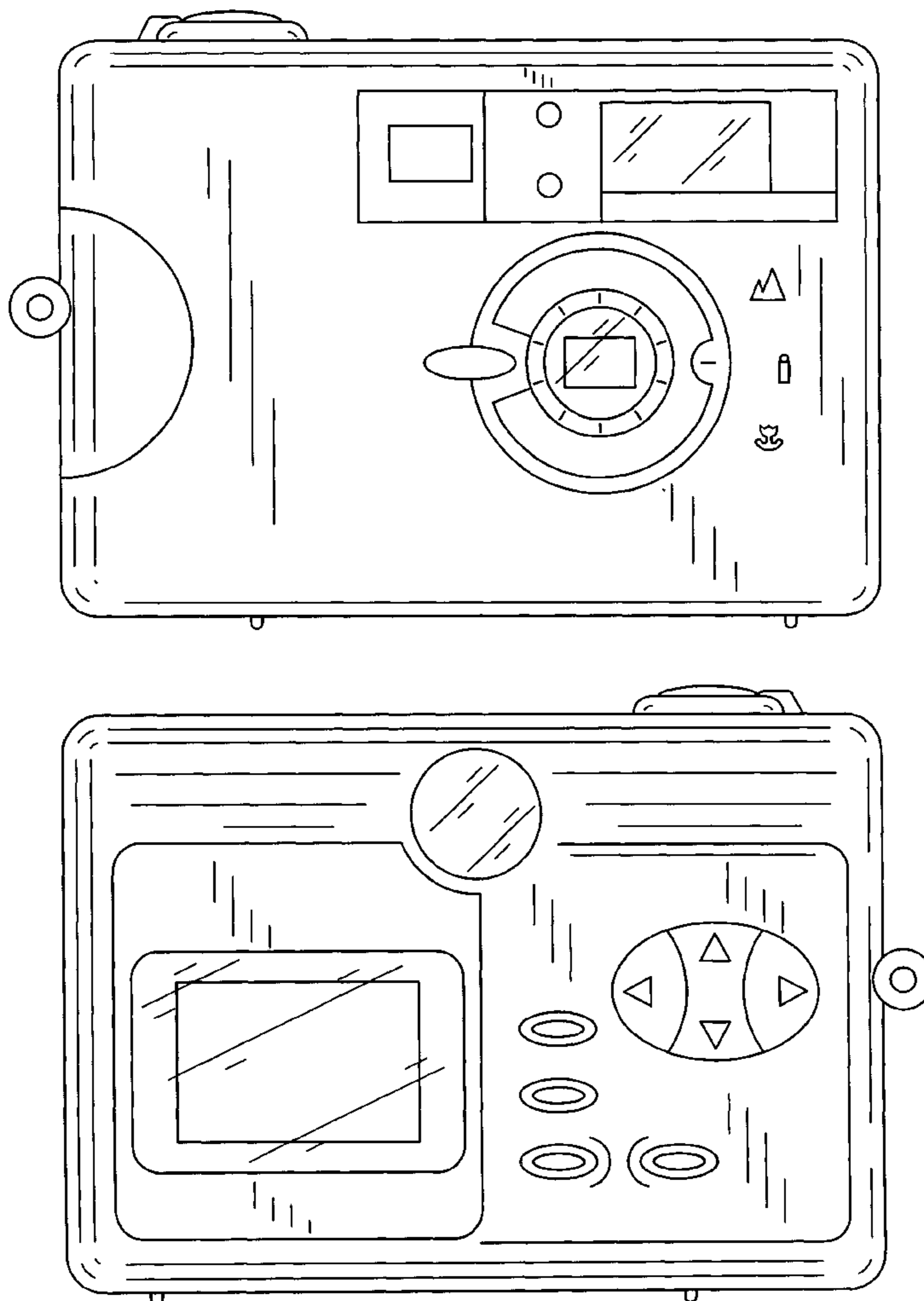
FIG. 3 is a bottom plan view thereof.

FIG. 4 is a top plan view thereof.

FIG. 5 is a right side elevational view thereof; and,

FIG. 6 is a left side elevational view thereof.

1 Claim, 3 Drawing Sheets



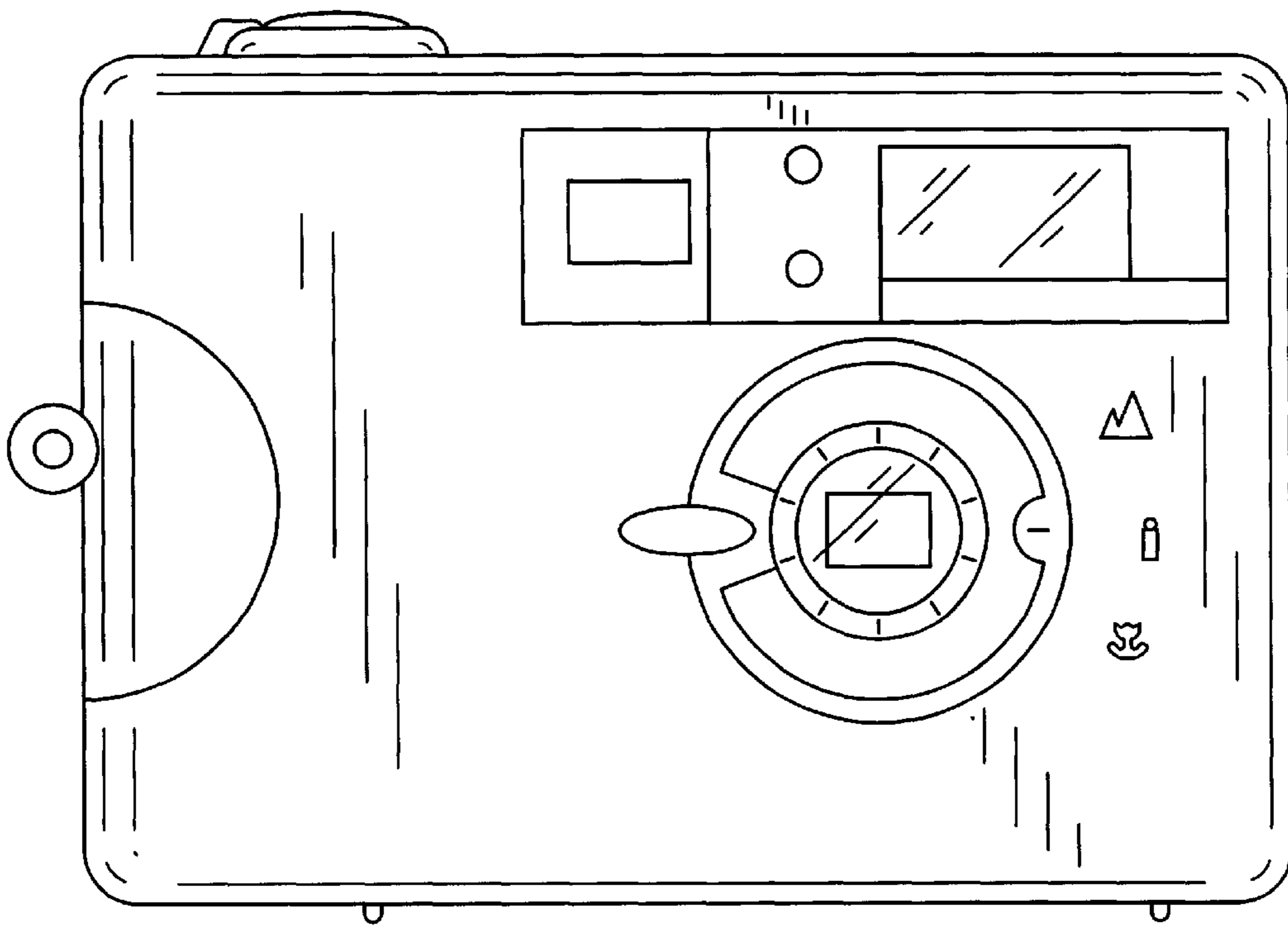


Fig. 1

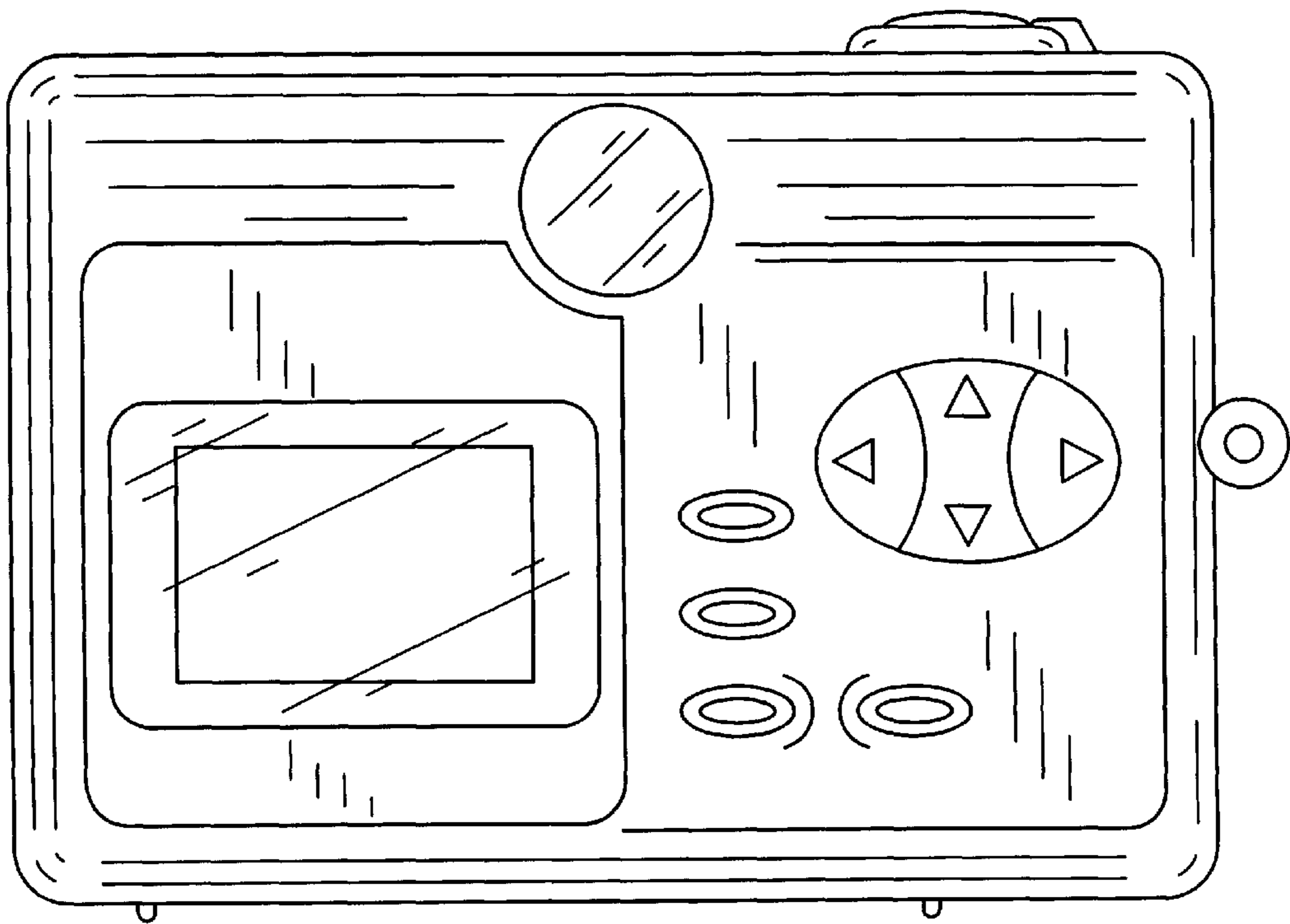


Fig. 2

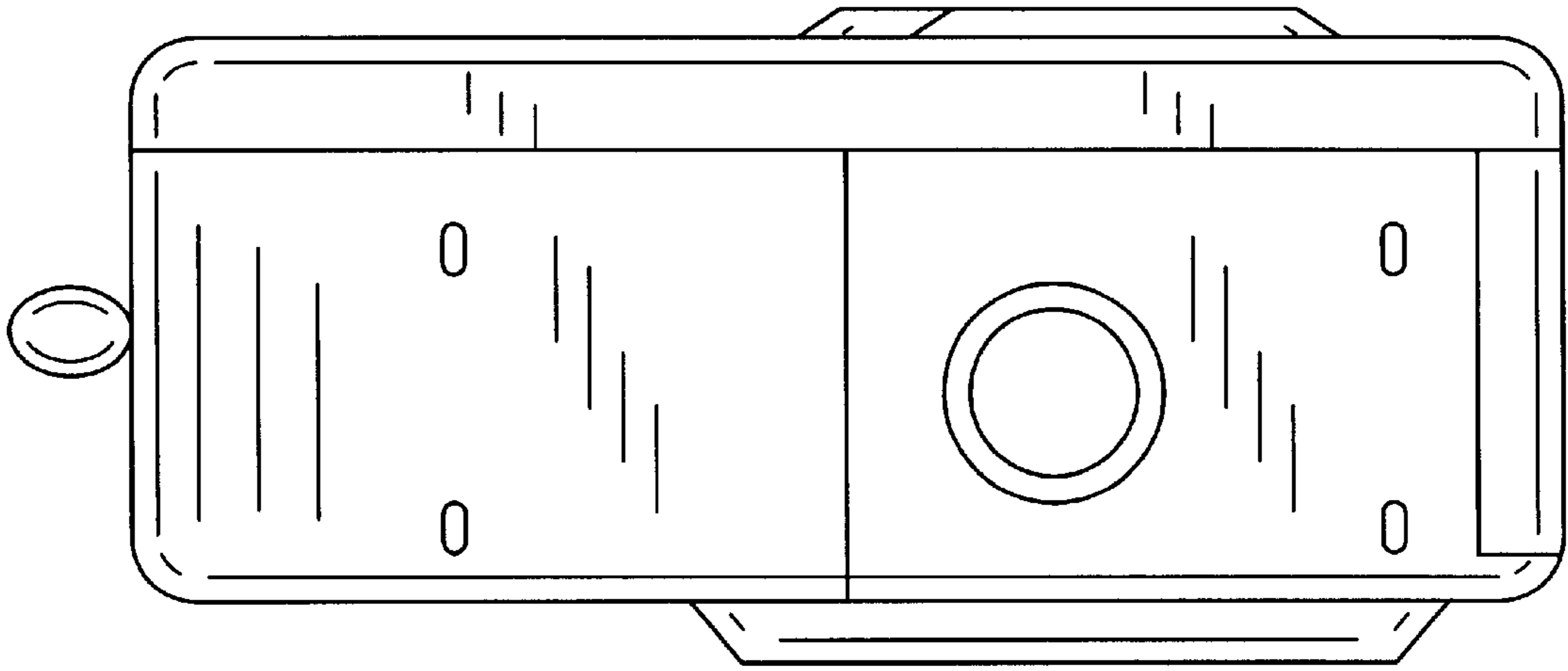


Fig. 3

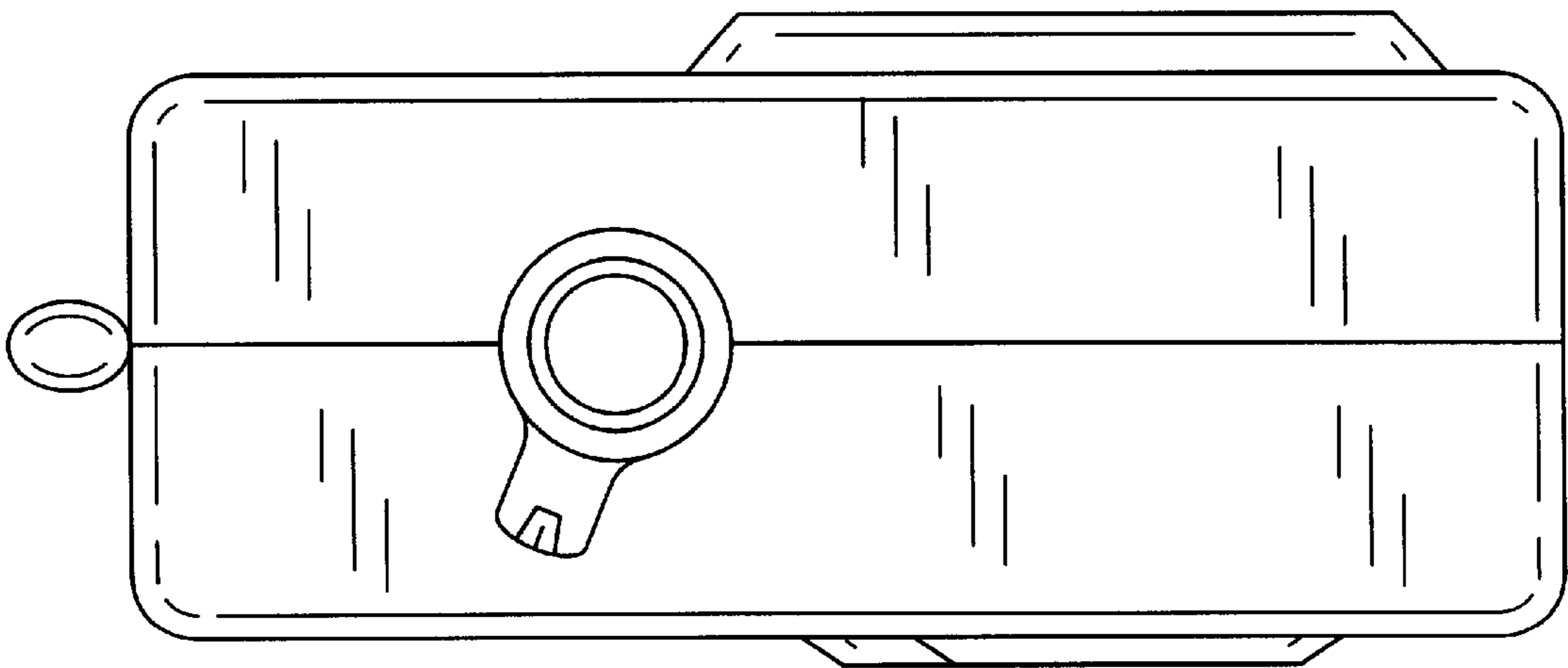


Fig. 4

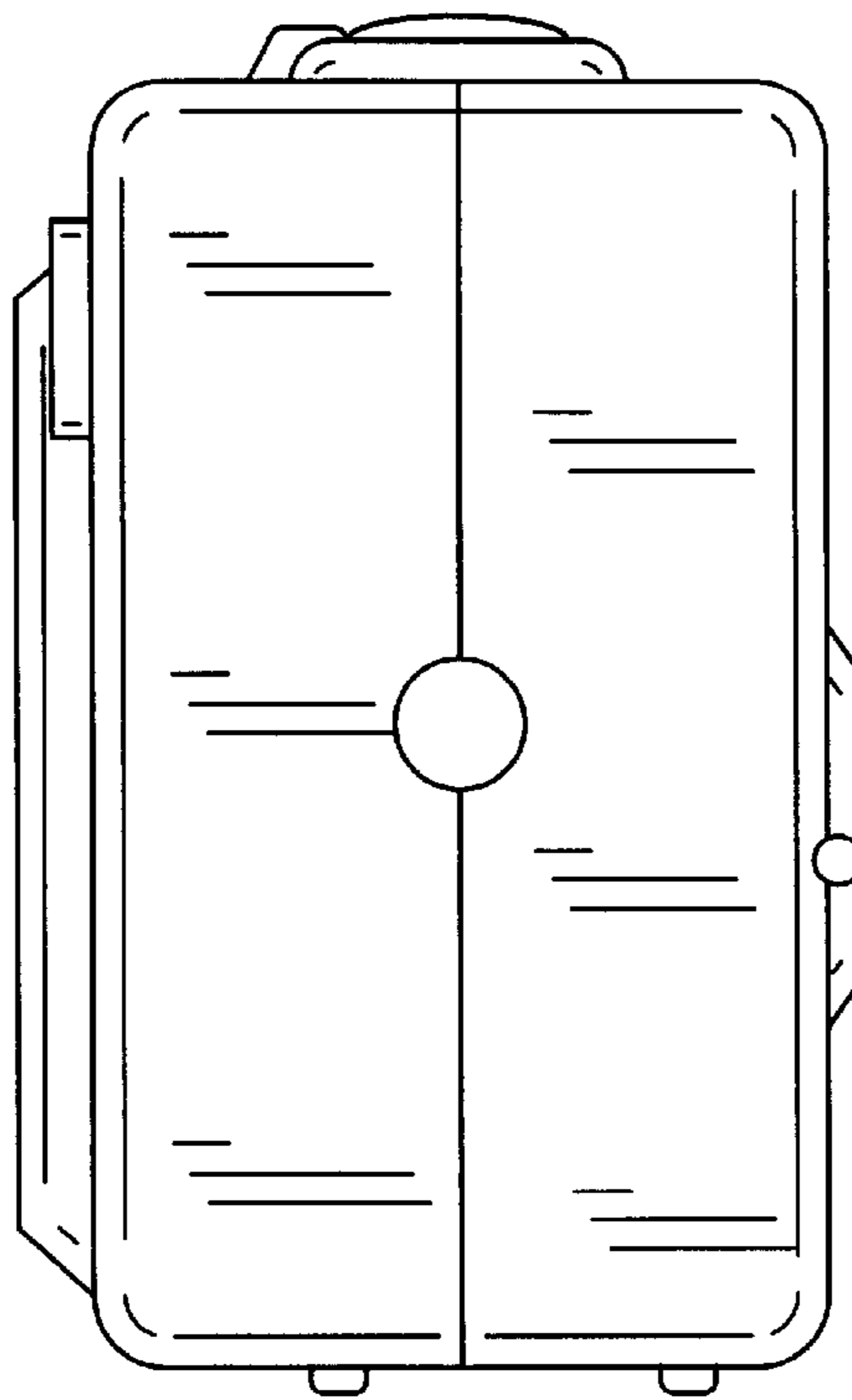


Fig. 5

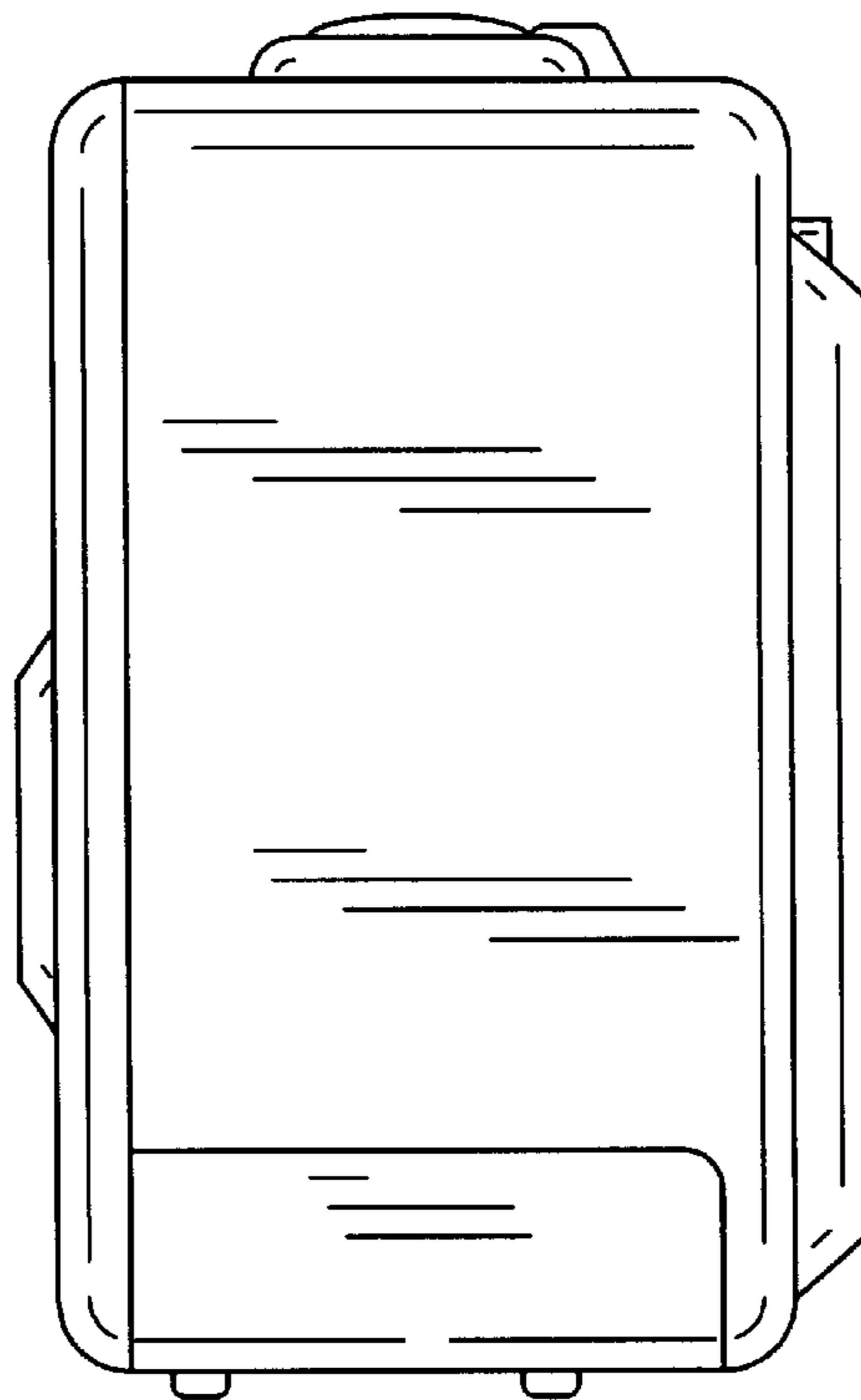


Fig. 6