



US00D482052S

(12) **United States Design Patent**
Yik et al.

(10) **Patent No.: US D482,052 S**

(45) **Date of Patent: ** Nov. 11, 2003**

(54) **CAMERA**

D447,161 S * 8/2001 Alvarez et al. D16/202
D462,371 S * 9/2002 Hamamura D16/202

(75) Inventors: **Kai Chung Franco Yik**, Hong Kong (CN); **Steve Buescher**, Pembroke Pines, FL (US)

FOREIGN PATENT DOCUMENTS

GB 3001463 * 2/2002

(73) Assignee: **Concord Camera Corp**, Hollywood, FL (US)

* cited by examiner

(**) Term: **14 Years**

Primary Examiner—Adir Aronovich
(74) *Attorney, Agent, or Firm*—Scott L. Lampert; Kerry Sisselman

(21) Appl. No.: **29/163,475**

(57) **CLAIM**

(22) Filed: **Jul. 3, 2002**

The ornamental design for a camera, as shown and described.

(51) **LOC (7) Cl.** **16-01**

DESCRIPTION

(52) **U.S. Cl.** **D16/202**

(58) **Field of Search** D16/200–204,
D16/208, 209, 218; 348/373–376; 396/6,
535, 536–541

FIG. 1 is a front elevational view of a camera showing our new design.

FIG. 2 is a rear elevational view thereof.

FIG. 3 is a bottom plan view thereof.

FIG. 4 is a top plan view thereof.

FIG. 5 is a right side elevational view thereof; and,

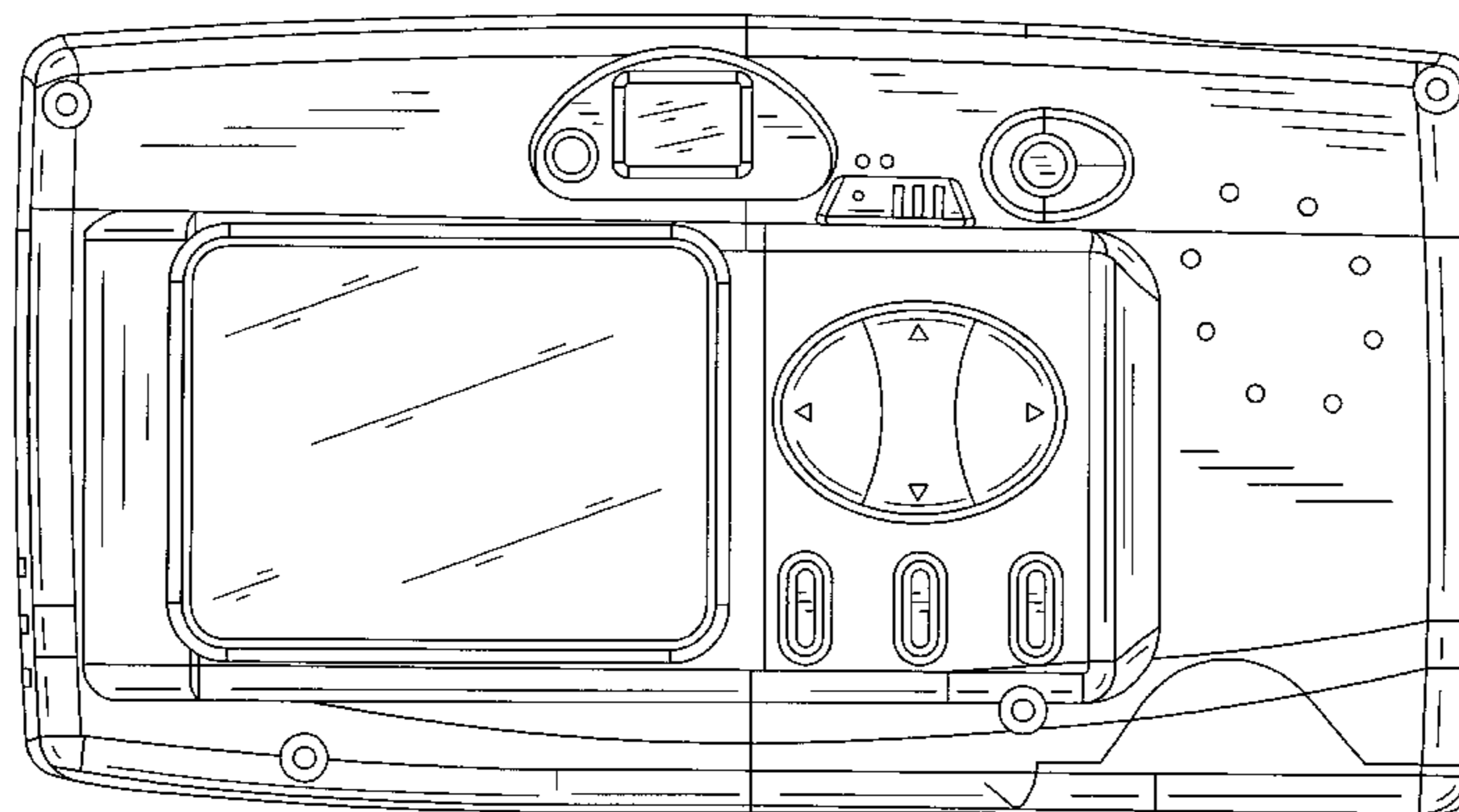
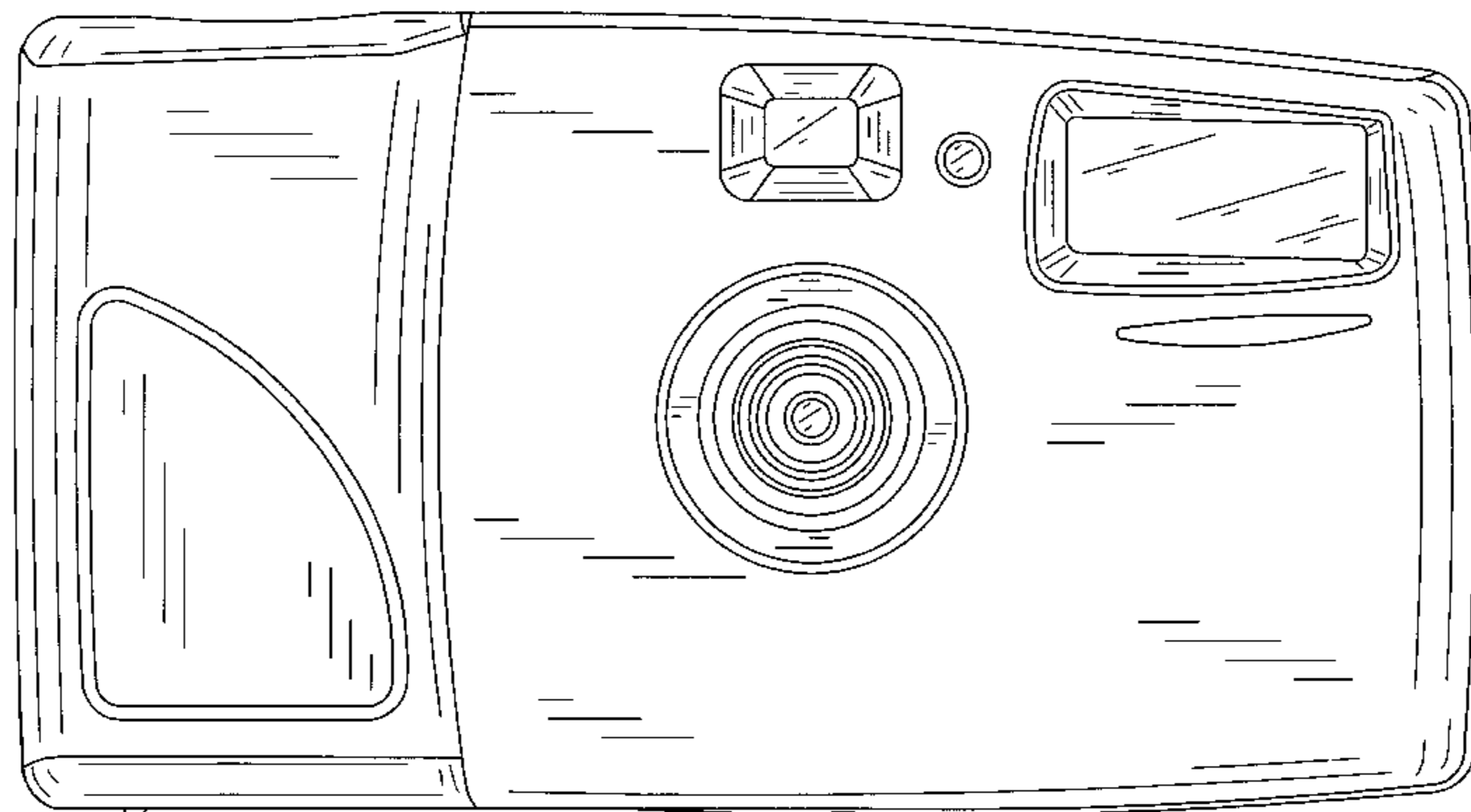
FIG. 6 is a left side elevational view thereof.

(56) **References Cited**

U.S. PATENT DOCUMENTS

D329,447 S * 9/1992 McBride D16/209
D415,508 S * 10/1999 Shinano D16/202

1 Claim, 5 Drawing Sheets



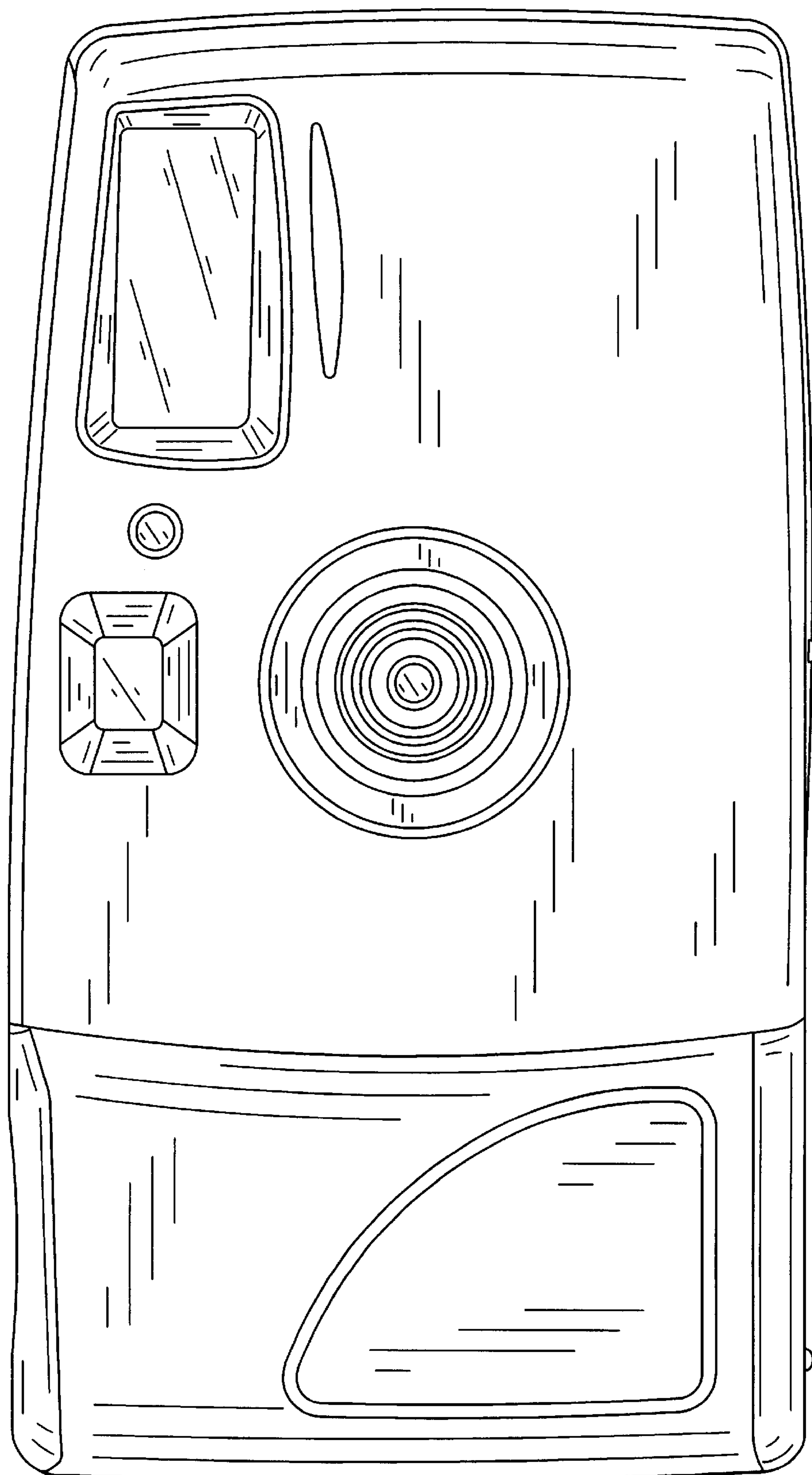


FIG. 1

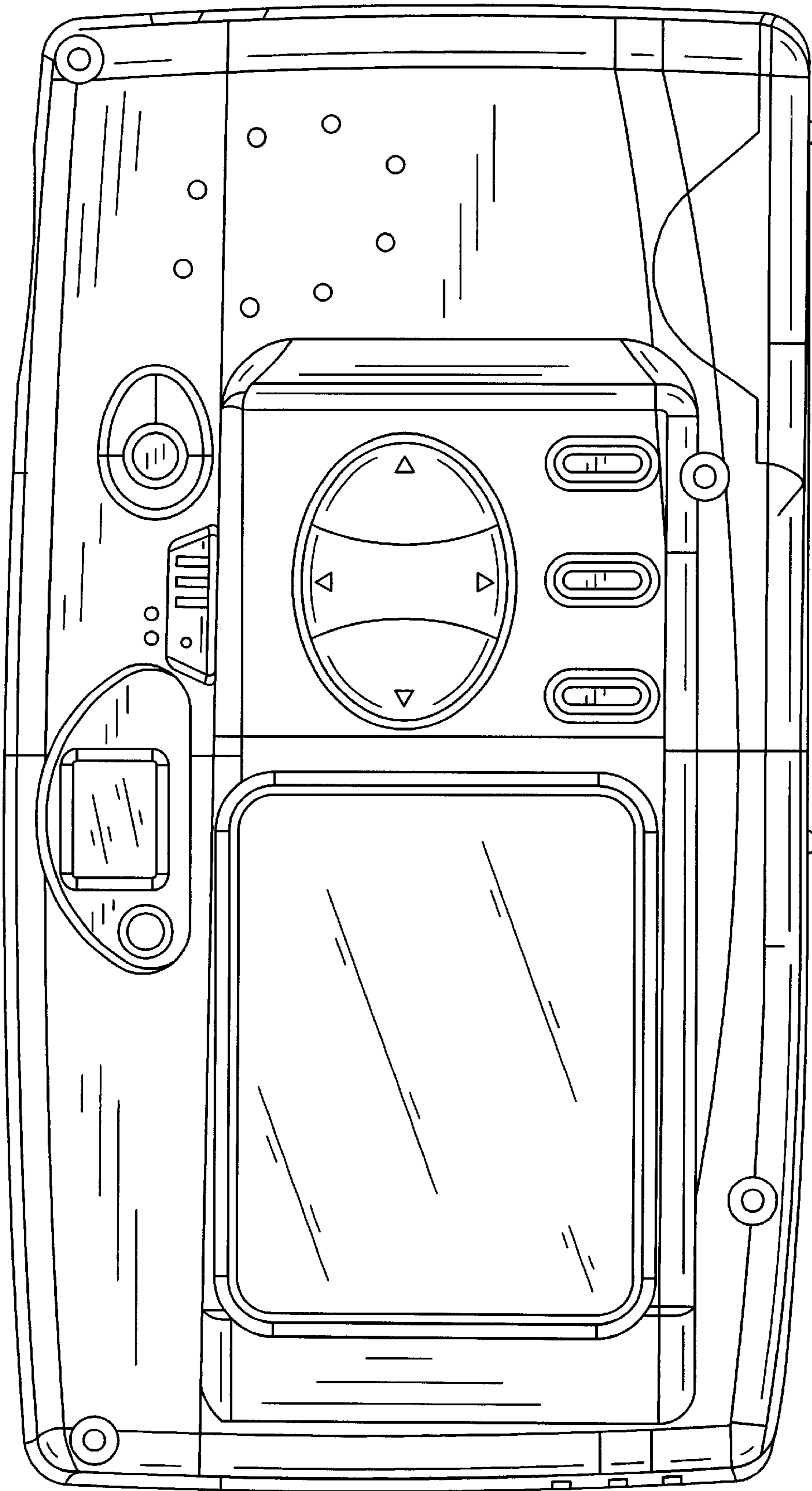


FIG. 2

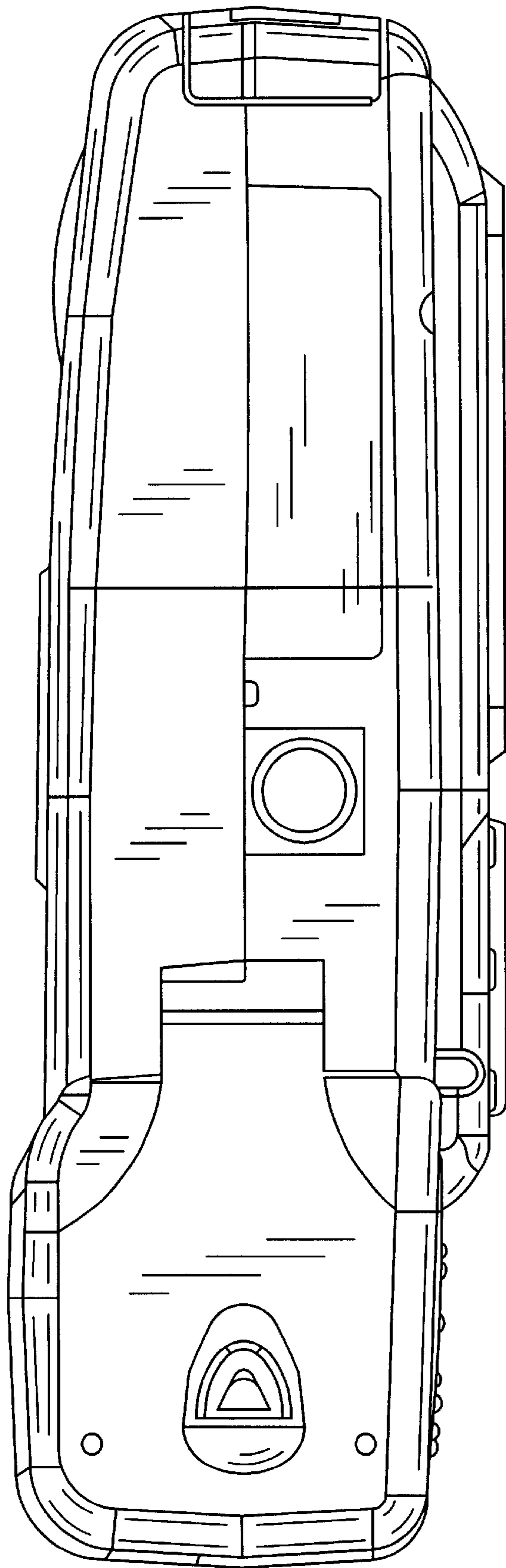


FIG. 3

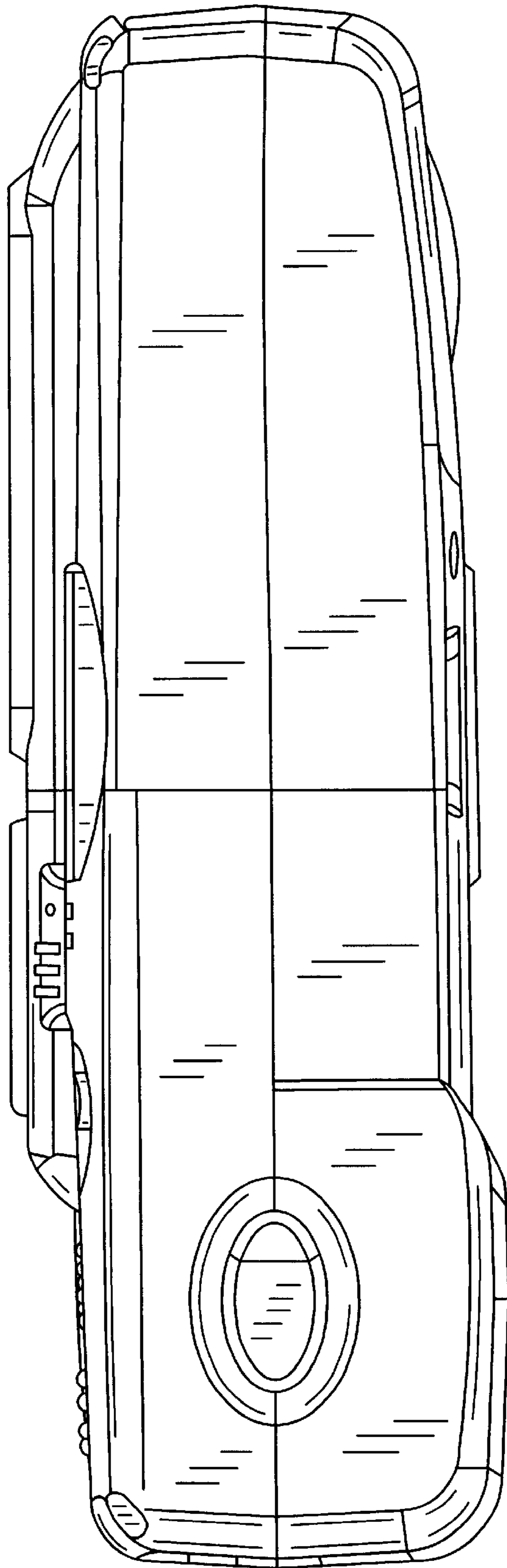


FIG. 4

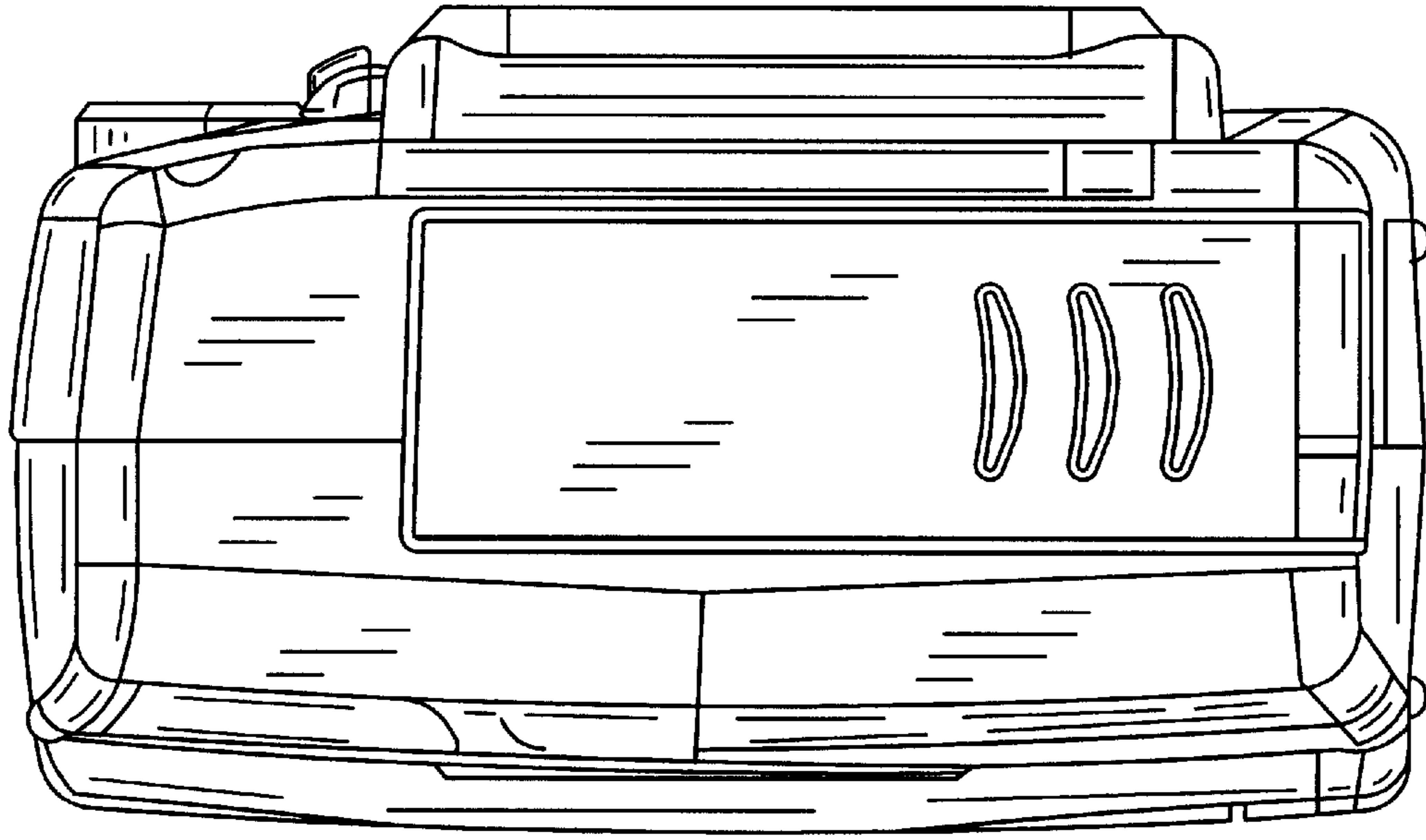


FIG. 5

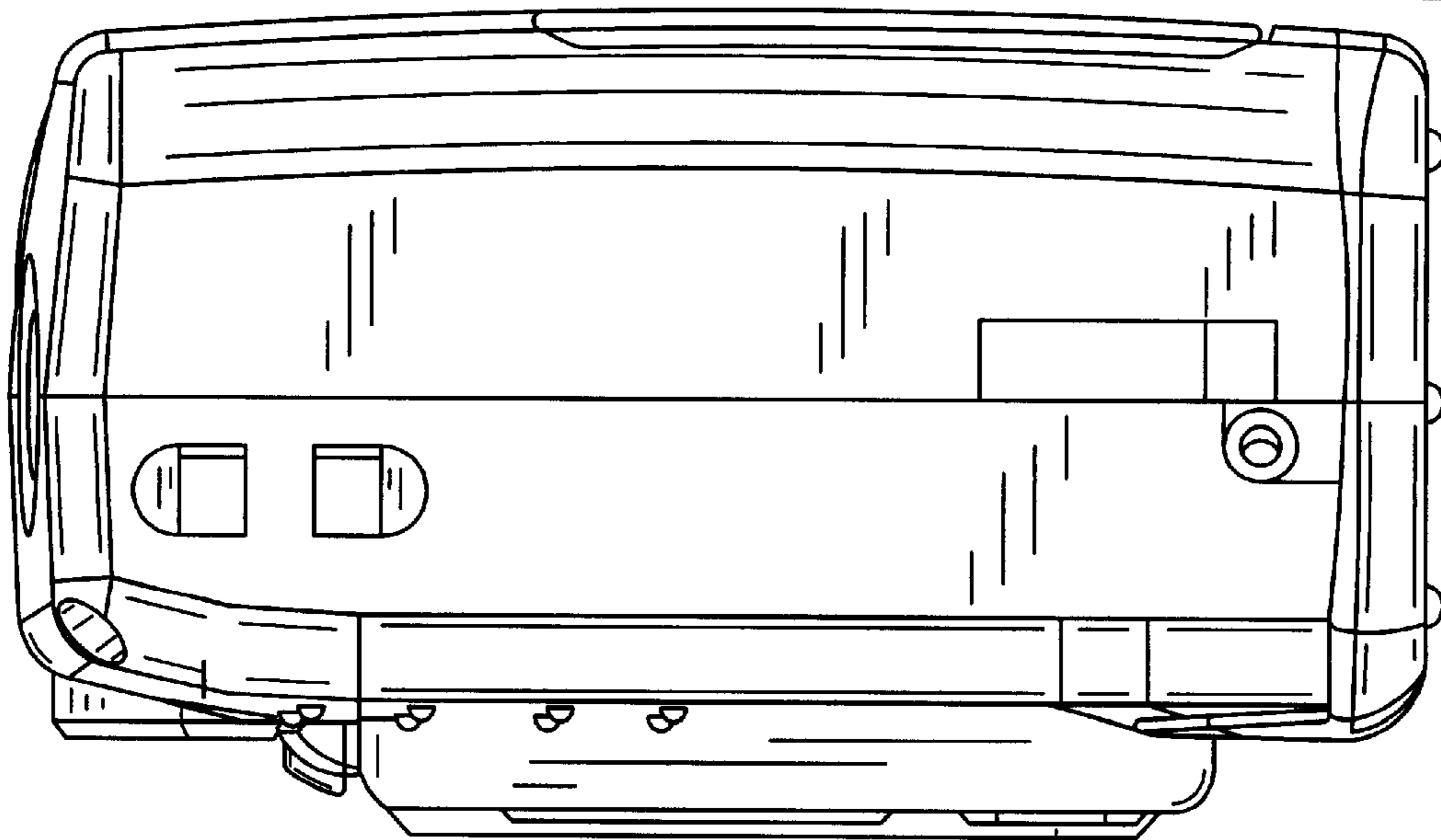


FIG. 6