



US00D482048S

(12) **United States Design Patent**  
**Shimizu et al.**

(10) **Patent No.:** **US D482,048 S**

(45) **Date of Patent:** **\*\* Nov. 11, 2003**

(54) **THREAD CASSETTE FOR AN EMBROIDERY MACHINE**

(75) Inventors: **Yasuhiro Shimizu**, Motosu-gun (JP);  
**Nobuyuki Iwai**, Nagoya (JP);  
**Toshiyuki Mamiya**, Nagoya (JP);  
**Akira Terao**, Nagoya (JP)

(73) Assignee: **Brother Industries, Ltd.**, Nagoya (JP)

(\*\*) Term: **14 Years**

(21) Appl. No.: **29/175,176**

(22) Filed: **Jan. 31, 2003**

**Related U.S. Application Data**

(62) Division of application No. 29/168,762, filed on Oct. 9, 2002, which is a division of application No. 29/151,302, filed on Dec. 7, 2001, now Pat. No. Des. 467,595.

(30) **Foreign Application Priority Data**

Jun. 13, 2001 (JP) ..... 2001-17202

(51) **LOC (7) Cl.** ..... **15-06**

(52) **U.S. Cl.** ..... **D15/72**

(58) **Field of Search** ..... D15/66-72; D14/420;  
112/445-448, 236, 121.11, 121.12, 217.1,  
258-262.1

(56) **References Cited**

**U.S. PATENT DOCUMENTS**

D369,171 S \* 4/1996 Honson  
D384,945 S \* 10/1997 Takada et al.

\* cited by examiner

*Primary Examiner*—Mitchell Siegel

(74) *Attorney, Agent, or Firm*—Oliff & Berridge, PLC

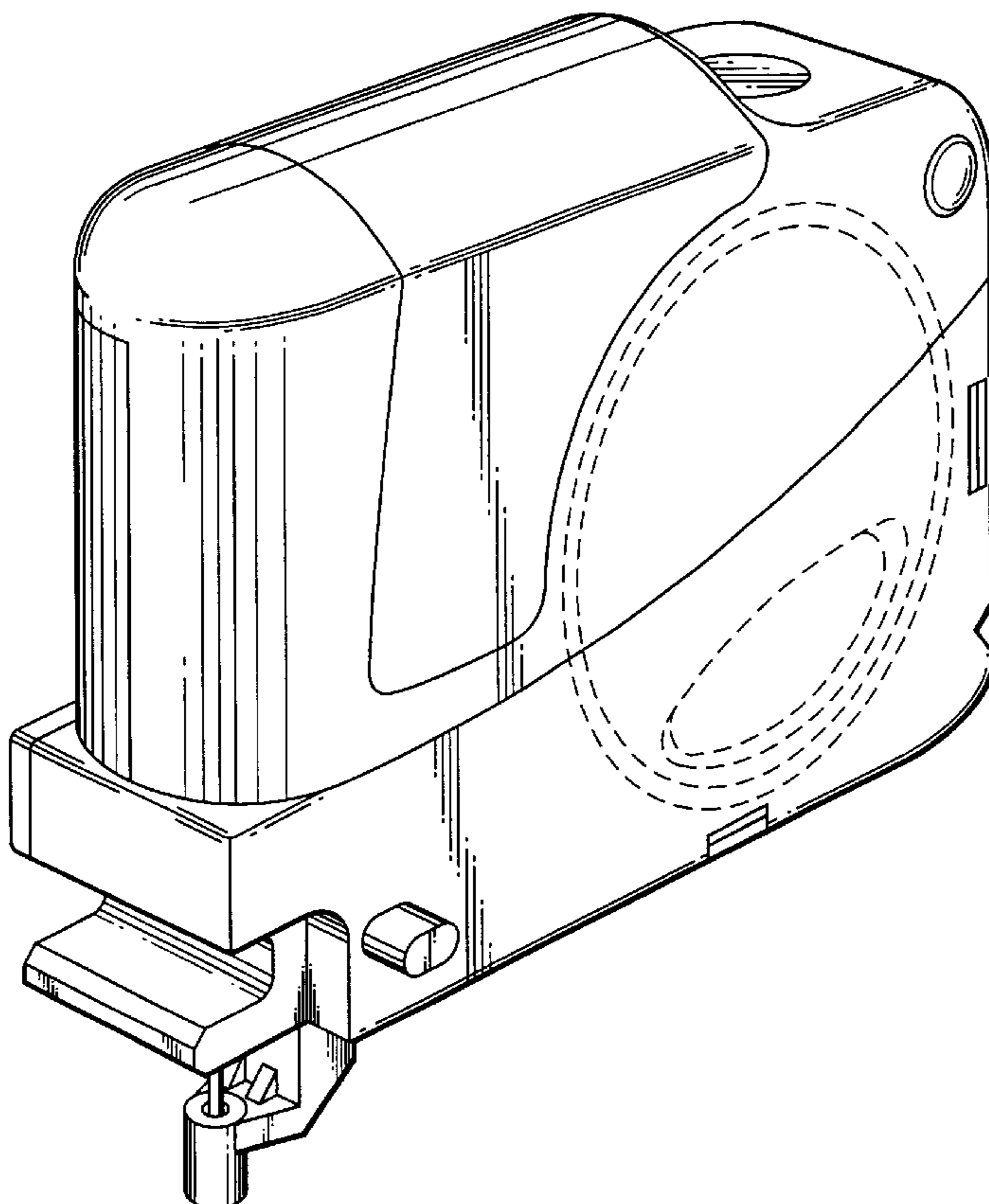
(57) **CLAIM**

The ornamental design for a thread cassette for an embroidery machine, as shown and described.

**DESCRIPTION**

FIG. 1 is a front view of a first embodiment of a thread cassette for an embroidery machine;  
FIG. 2 is a rear view thereof;  
FIG. 3 is a left view thereof;  
FIG. 4 is a right view thereof;  
FIG. 5 is a top view thereof;  
FIG. 6 is a bottom view thereof; and,  
FIG. 7 is a perspective view thereof.  
The broken line showing is for illustrative purposes only and forms no part of the claimed design.

**1 Claim, 4 Drawing Sheets**



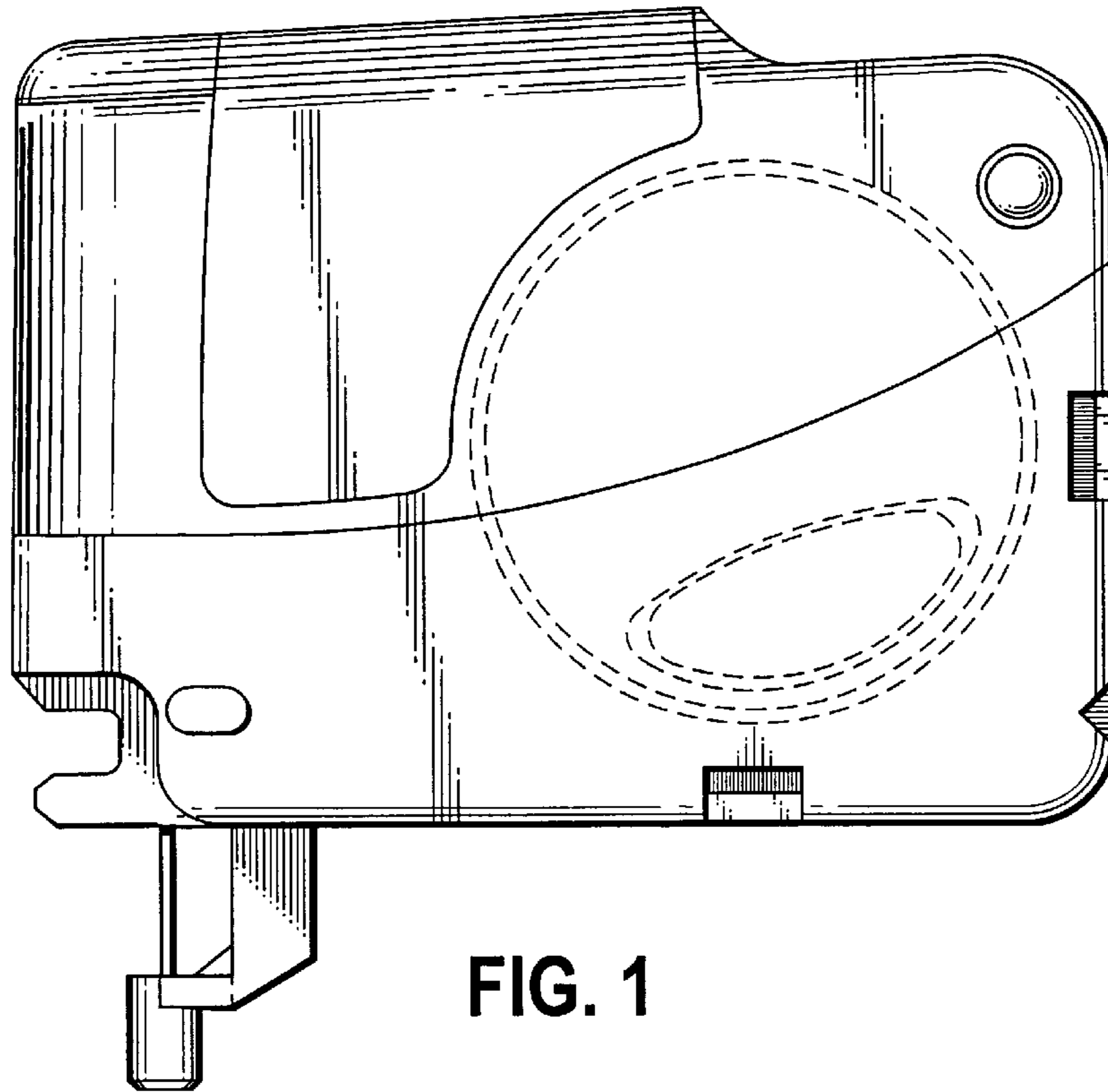


FIG. 1

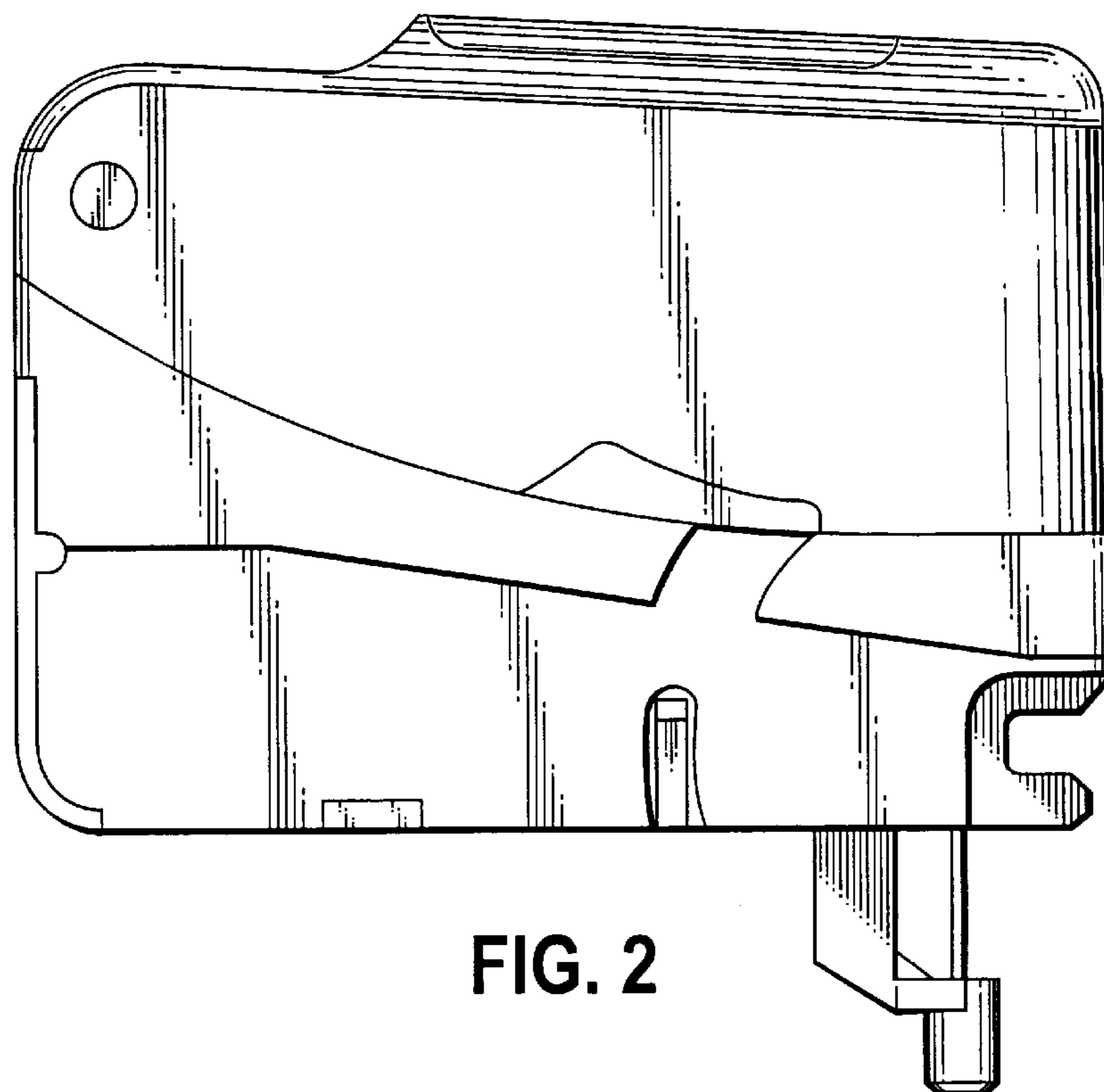


FIG. 2

FIG. 3

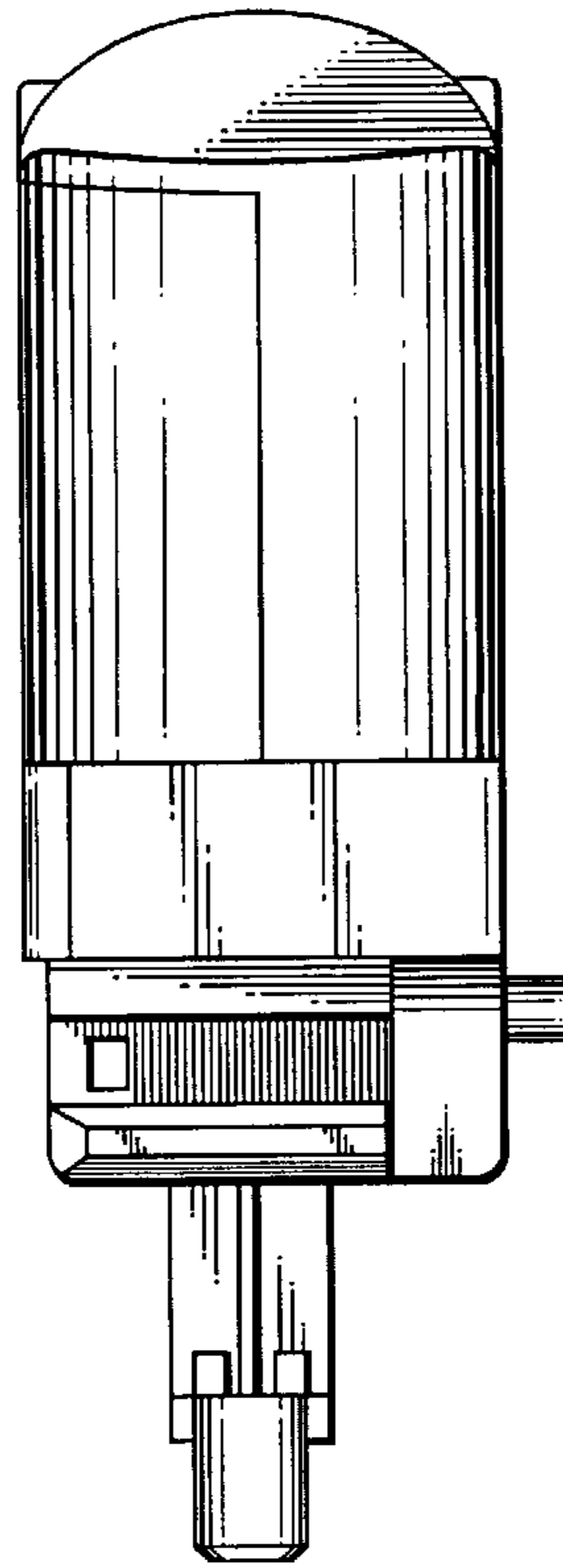
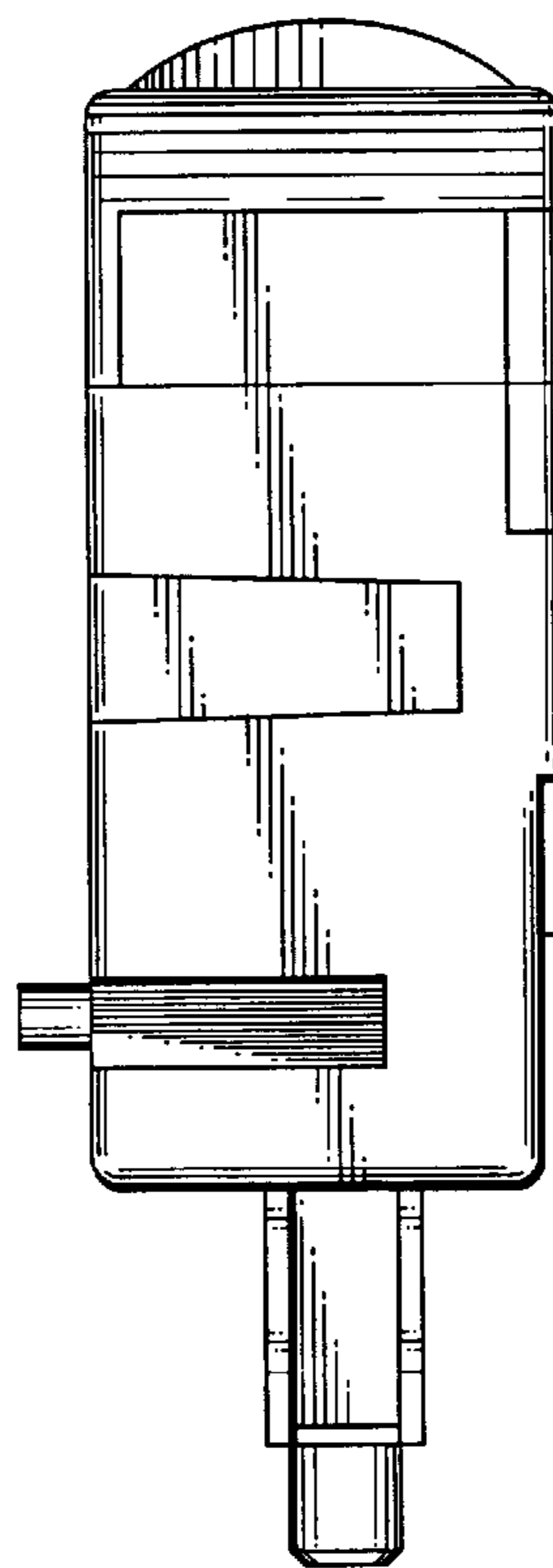


FIG. 4



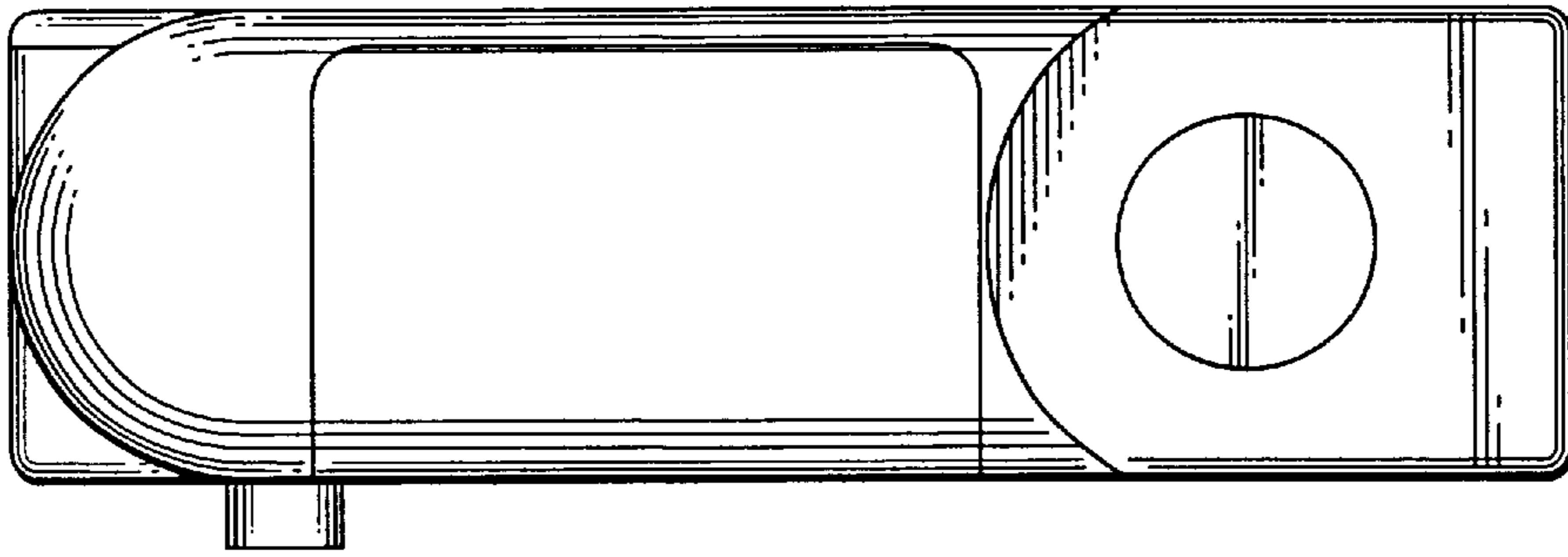


FIG. 5

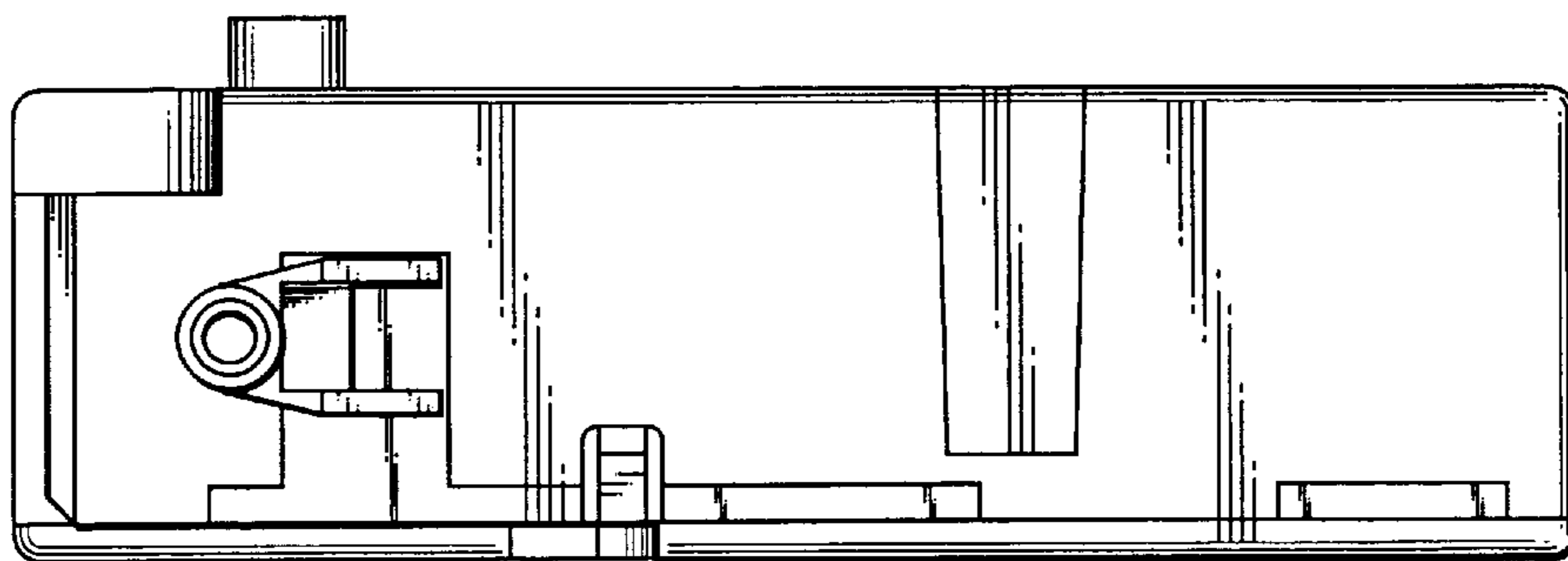


FIG. 6

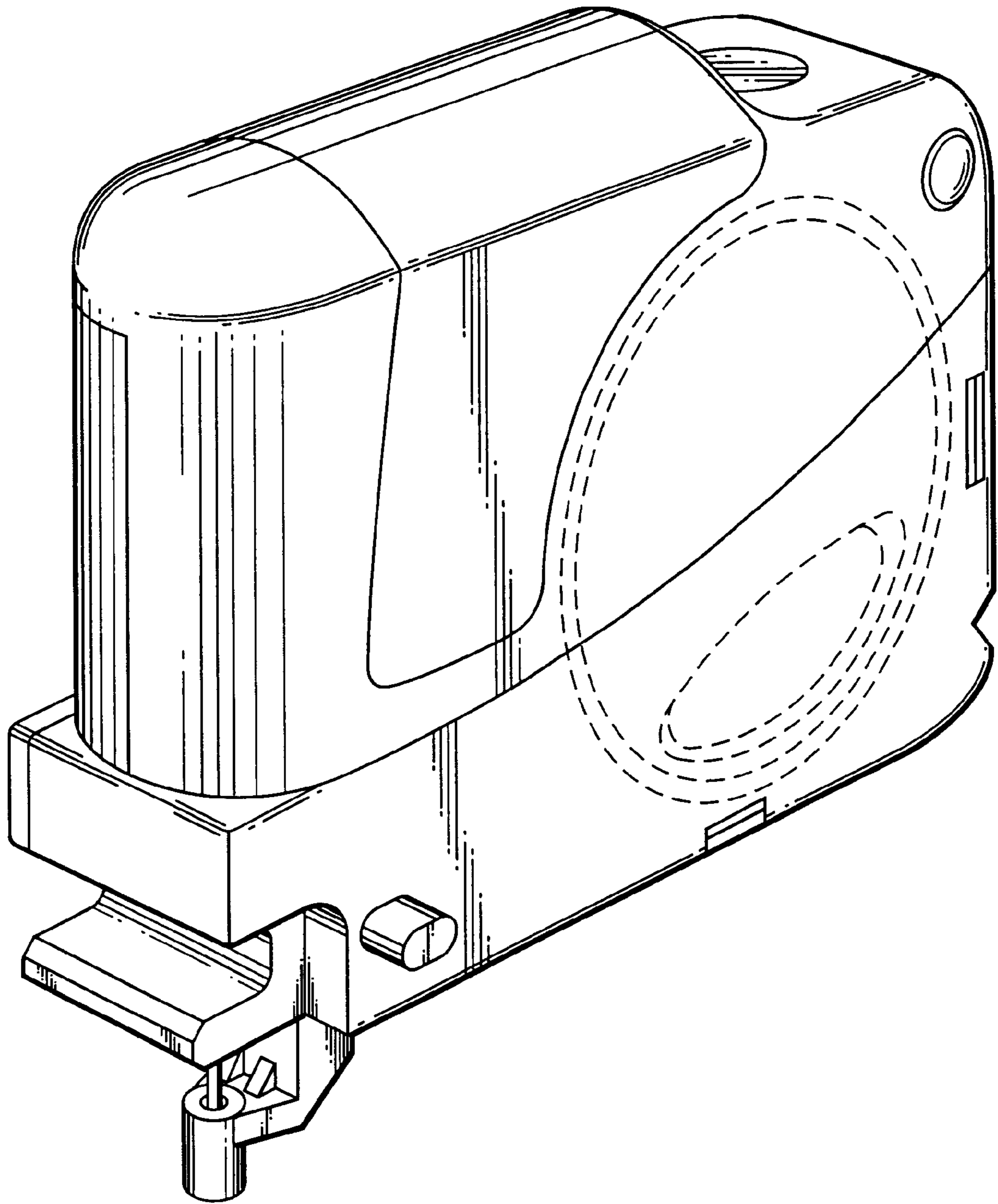


FIG. 7