



US00D482045S

(12) **United States Design Patent**
Iwata et al.

(10) **Patent No.:** **US D482,045 S**

(45) **Date of Patent:** **** Nov. 11, 2003**

(54) **INTERNAL COMBUSTION ENGINE**

D473,241 S * 4/2003 Ito D15/1

(75) Inventors: **Satoshi Iwata**, Osaka (JP); **Hiroyasu Nishikawa**, Osaka (JP)

* cited by examiner

Primary Examiner—Melody N. Brown

(73) Assignee: **Yanmar Co., Ltd.** (JP)

(74) *Attorney, Agent, or Firm*—Banner & Witcoff, Ltd.

(**) Term: **14 Years**

(57) **CLAIM**

The ornamental design for an internal combustion engine, as shown and described.

(21) Appl. No.: **29/171,324**

DESCRIPTION

(22) Filed: **Nov. 21, 2002**

(30) **Foreign Application Priority Data**

May 29, 2002 (JP) 2002-014380

FIG. 1 is a front view showing an internal combustion engine according to the present invention;

(51) **LOC (7) Cl.** **15-01**

FIG. 2 is a rear view showing the internal combustion engine of FIG. 1;

(52) **U.S. Cl.** **D15/1**

FIG. 3 is a top plan view showing the internal combustion engine of FIG. 1;

(58) **Field of Search** D15/1-5; 123/156 BA,
123/50 A, 308, 198 E, 667; D34/15; 46/36,
78, 249

FIG. 4 is a bottom plan view showing the internal combustion engine of FIG. 1;

FIG. 5 is a right side view showing the internal combustion engine of FIG. 1;

(56) **References Cited**

U.S. PATENT DOCUMENTS

D293,114 S * 12/1987 Brogdon D15/1
D294,247 S * 2/1988 White et al. D15/1
D305,432 S * 1/1990 Hashigaki D15/1
D398,010 S * 9/1998 Yoshida et al. D15/1
D471,560 S * 3/2003 Davis D15/1

FIG. 6 is a left side view showing the internal combustion engine of FIG. 1;

FIG. 7 is a front perspective view showing the internal combustion engine of FIG. 1; and,

FIG. 8 is a rear perspective view showing the internal combustion engine of FIG. 1.

1 Claim, 4 Drawing Sheets

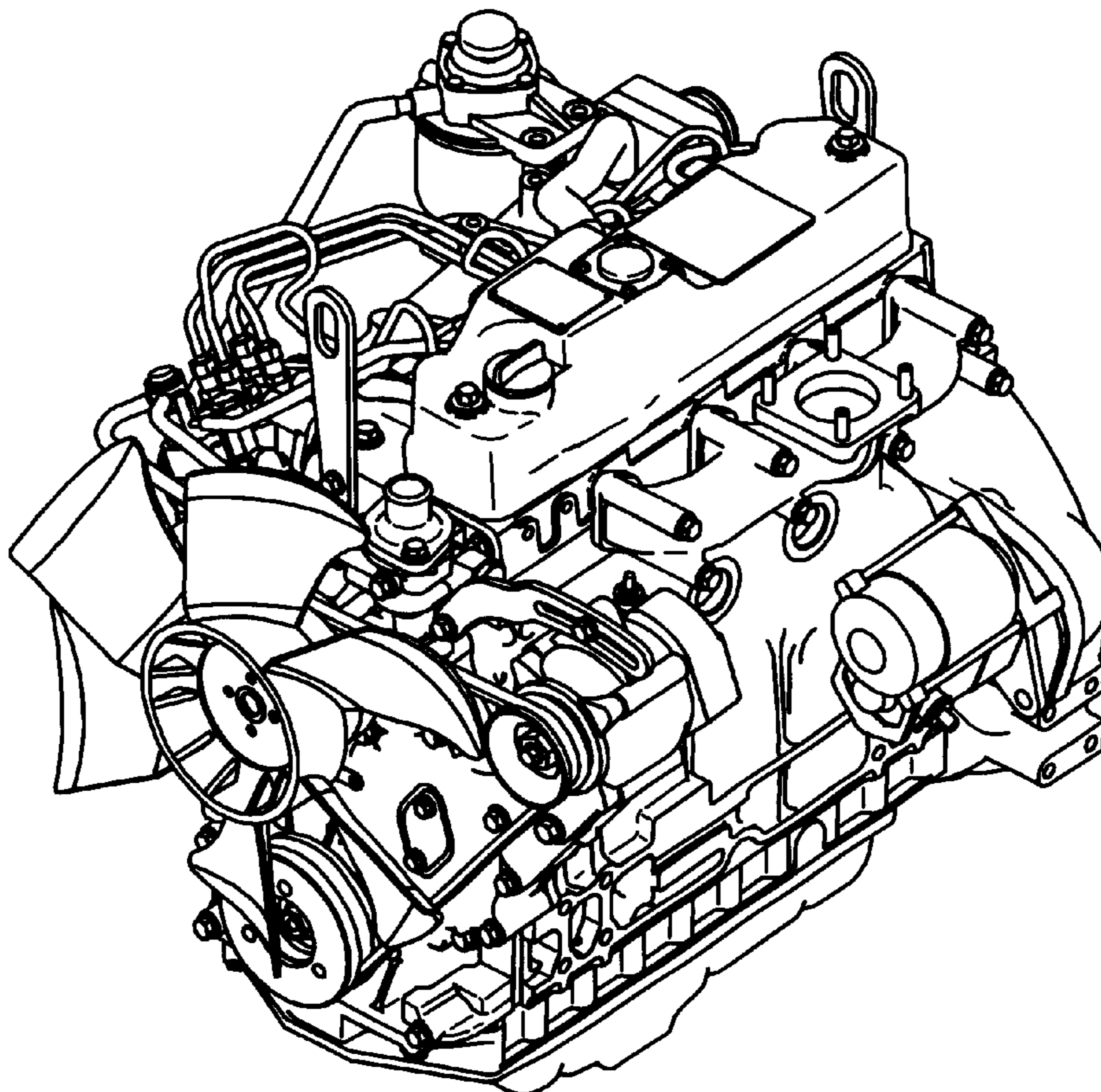


Fig. 1

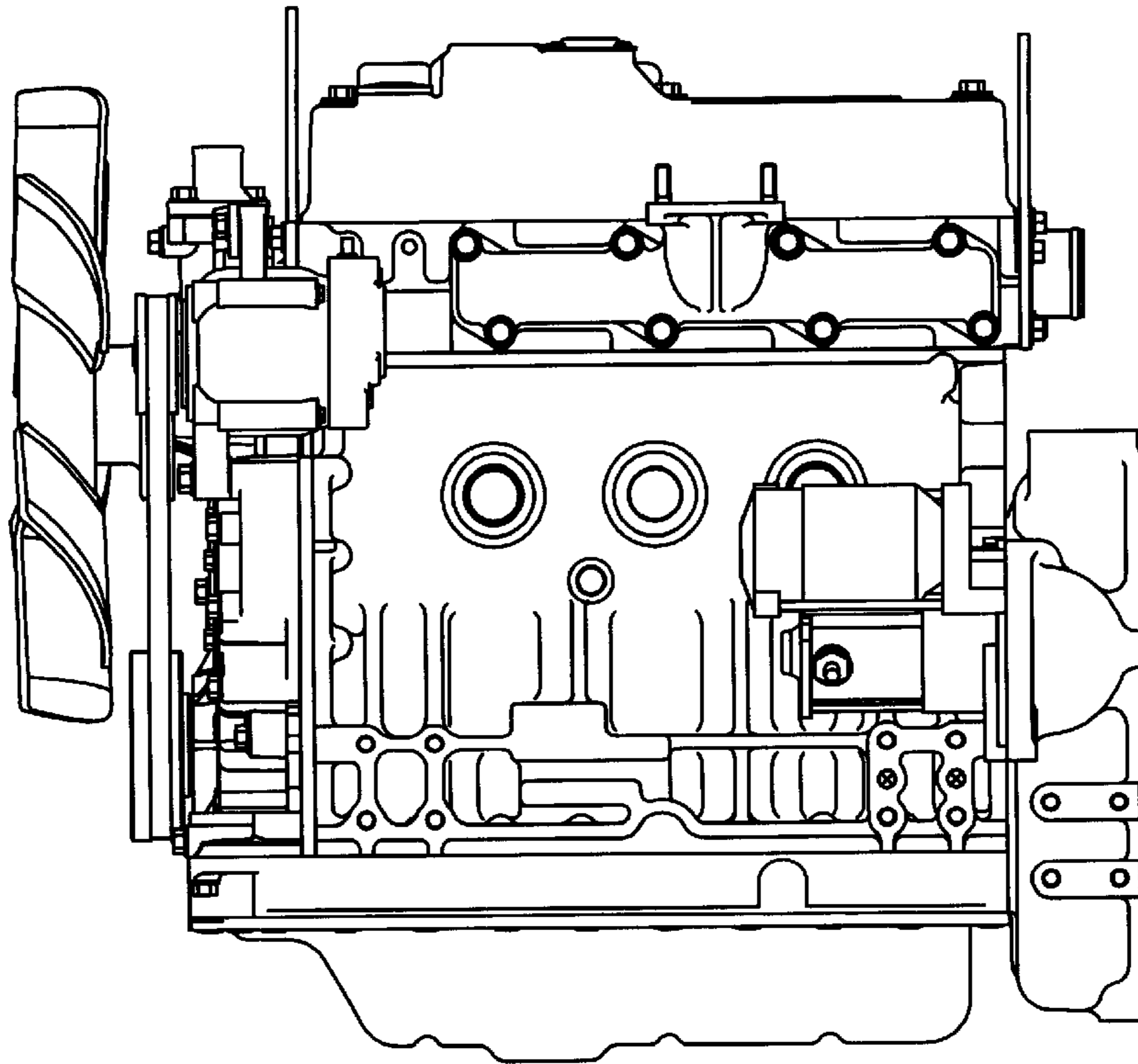


Fig. 2

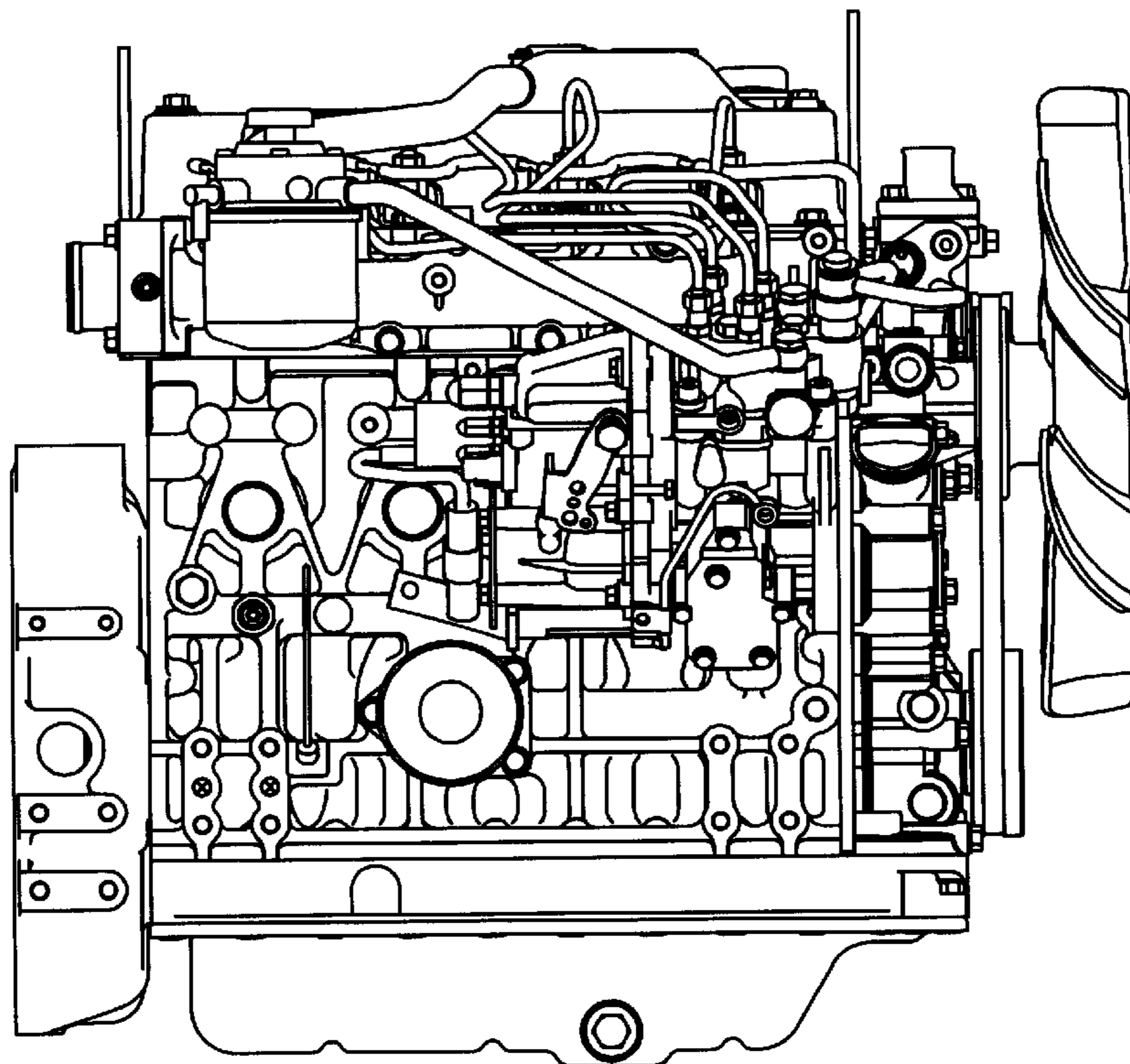


Fig. 3

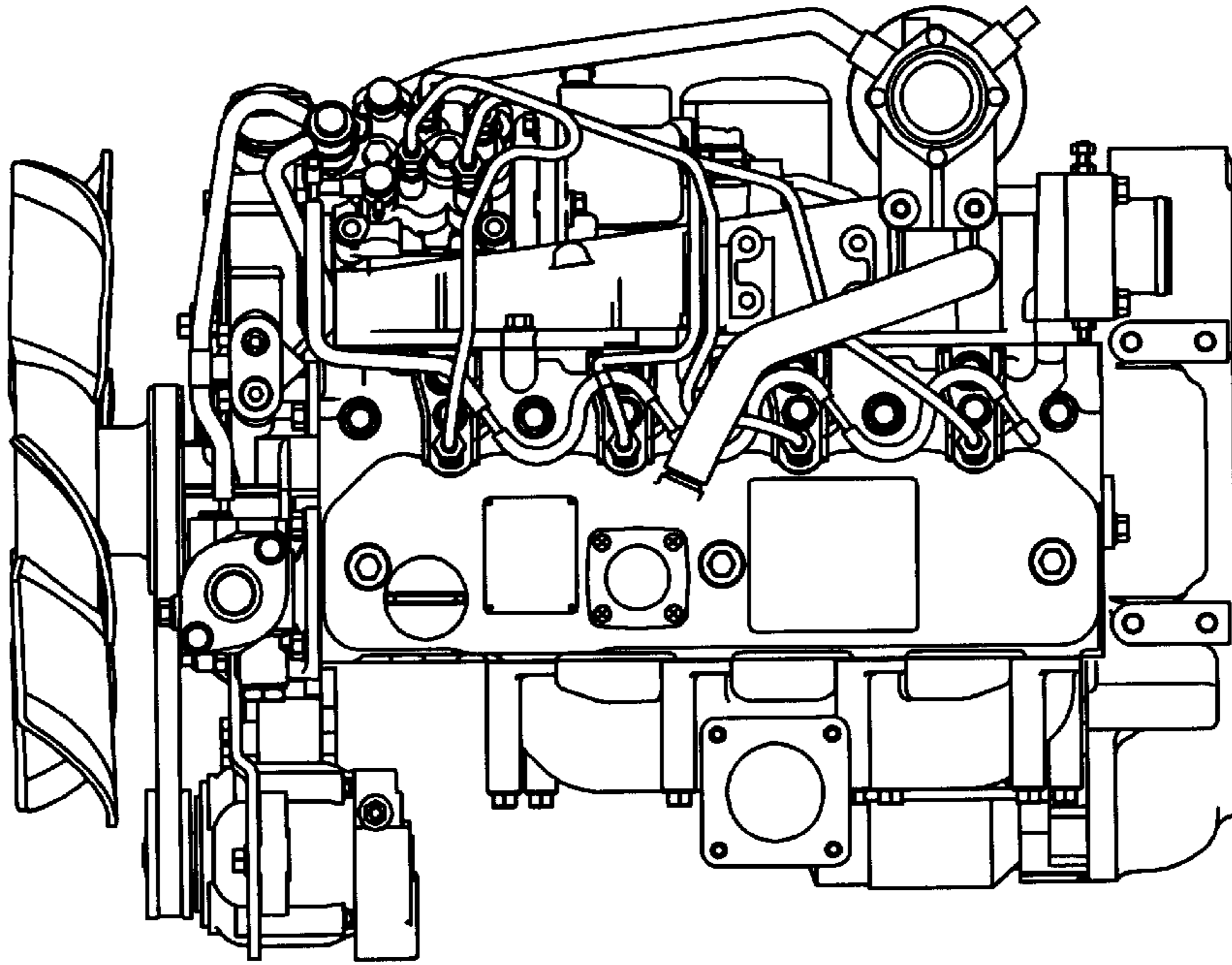


Fig. 4

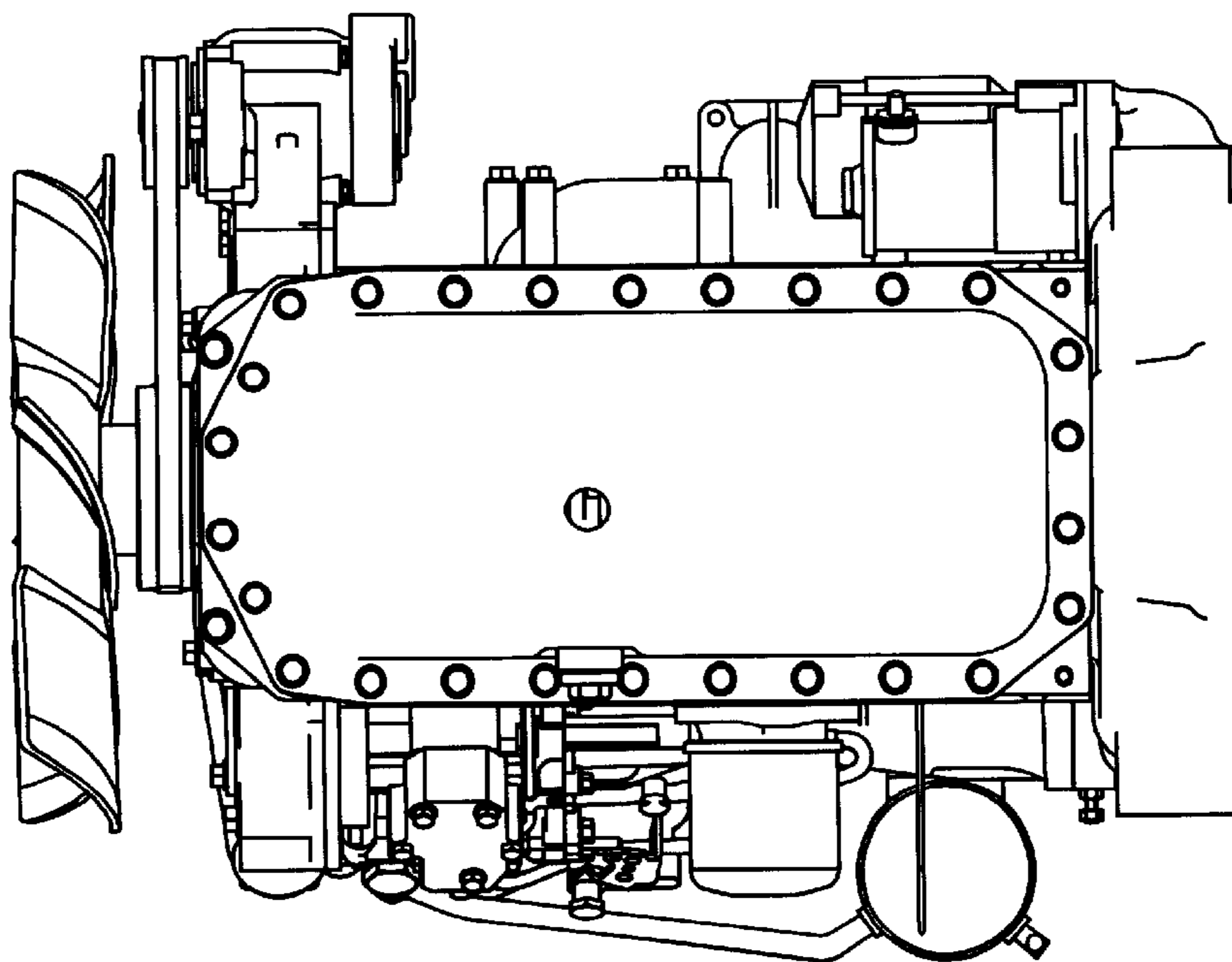


Fig. 5

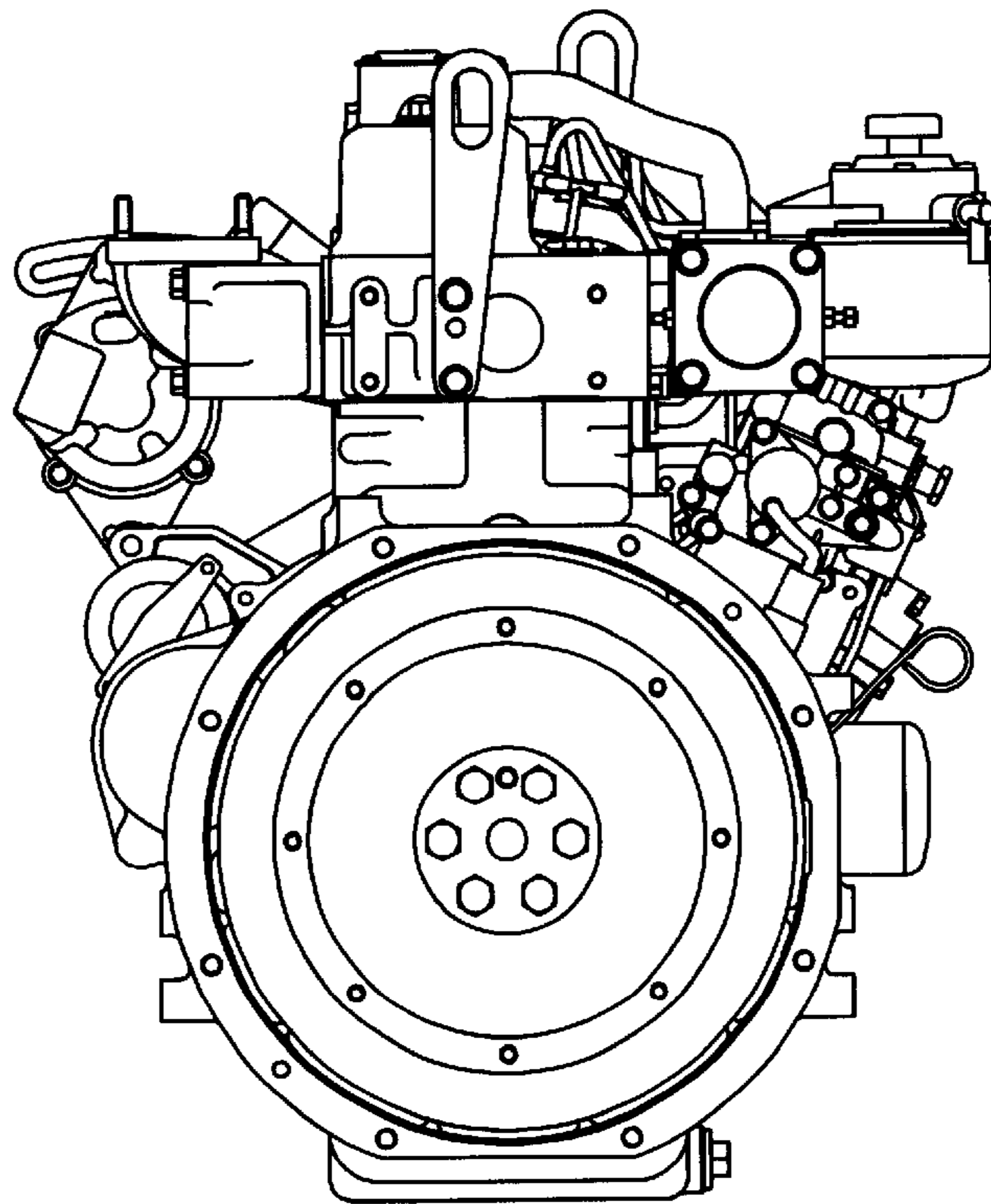


Fig. 6

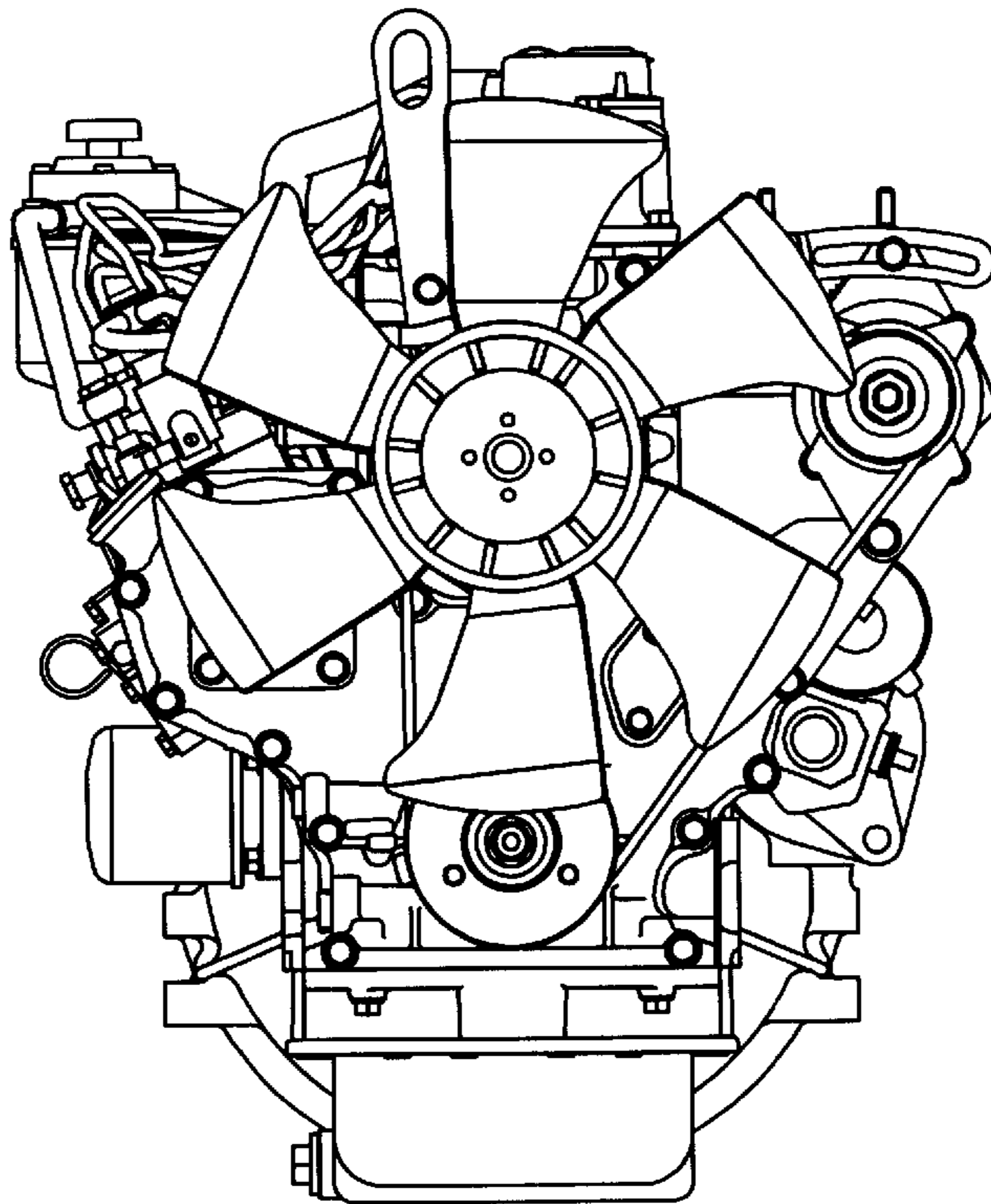


Fig. 7

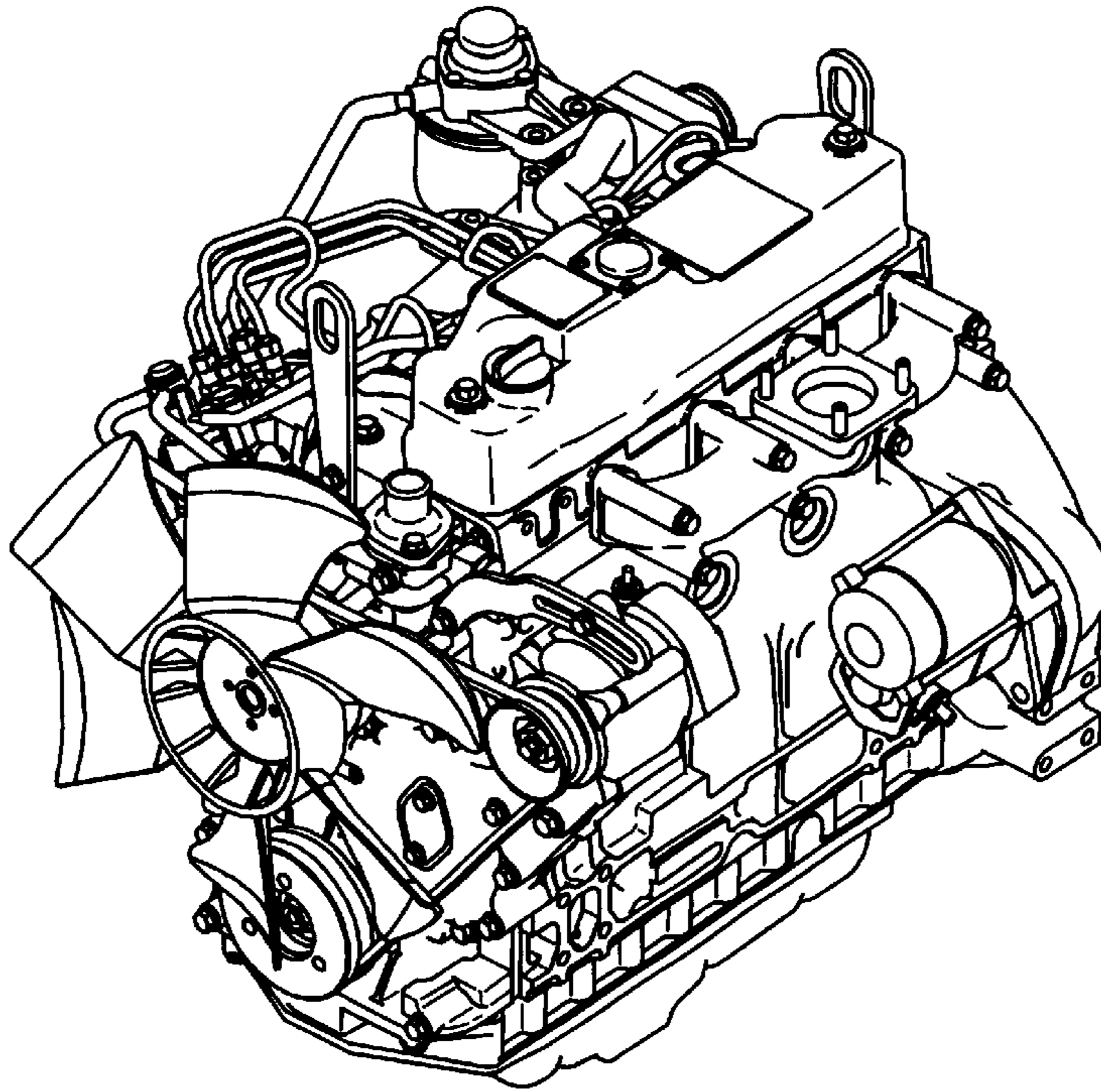


Fig. 8

