



US00D482039S

(12) **United States Design Patent**
Chen et al.

(10) **Patent No.:** **US D482,039 S**

(45) **Date of Patent:** **** Nov. 11, 2003**

(54) **COMPUTER STAND**

(75) Inventors: **Yun Lung Chen**, Tu-chen (TW); **Zhou Xu**, Shenzhen (CN)

(73) Assignee: **Hon Hai Precision Ind. Co., Ltd.**, Taipei Hsien (TW)

(**) Term: **14 Years**

(21) Appl. No.: **29/171,680**

(22) Filed: **Nov. 25, 2002**

(30) **Foreign Application Priority Data**

Nov. 2, 2002 (TW) 02 3 64836

(51) **LOC (7) Cl.** **14-02**

(52) **U.S. Cl.** **D14/447; D14/451**

(58) **Field of Search** D14/439-447,
D14/217, 239, 299, 126; D21/324, 333;
D6/449, 445, 396, 491, 512; 248/125.1,
127, 133, 177.1, 178.1, 179.1, 183.1, 347.01,
347.02, 188.2, 917-924

(56) **References Cited**

U.S. PATENT DOCUMENTS

D349,696 S * 8/1994 Hames D14/447
D362,245 S * 9/1995 Moffatt D14/447
D444,790 S * 7/2001 Goto D14/447

6,497,013 B1 * 12/2002 Goto et al. 248/346.01

* cited by examiner

Primary Examiner—Kay H. Chin

(74) *Attorney, Agent, or Firm*—Weu Te Chung

(57) **CLAIM**

The ornamental design for a computer stand, as shown and described.

DESCRIPTION

FIG. 1 is a perspective view of a computer stand of our new design;

FIG. 2 is a front elevational view of FIG. 1;

FIG. 3 is a rear elevational view of FIG. 1;

FIG. 4 is a left side elevational view of FIG. 1;

FIG. 5 is a right side elevational view of FIG. 1;

FIG. 6 is a top plan view of FIG. 1;

FIG. 7 is a bottom plan view of FIG. 1;

FIG. 8 is similar to FIG. 1, but showing the computer stand in an alternative state;

FIG. 9 is a perspective view of a half part of the computer stand;

FIG. 10 is a front elevational view of FIG. 9;

FIG. 11 is a rear elevational view of FIG. 9;

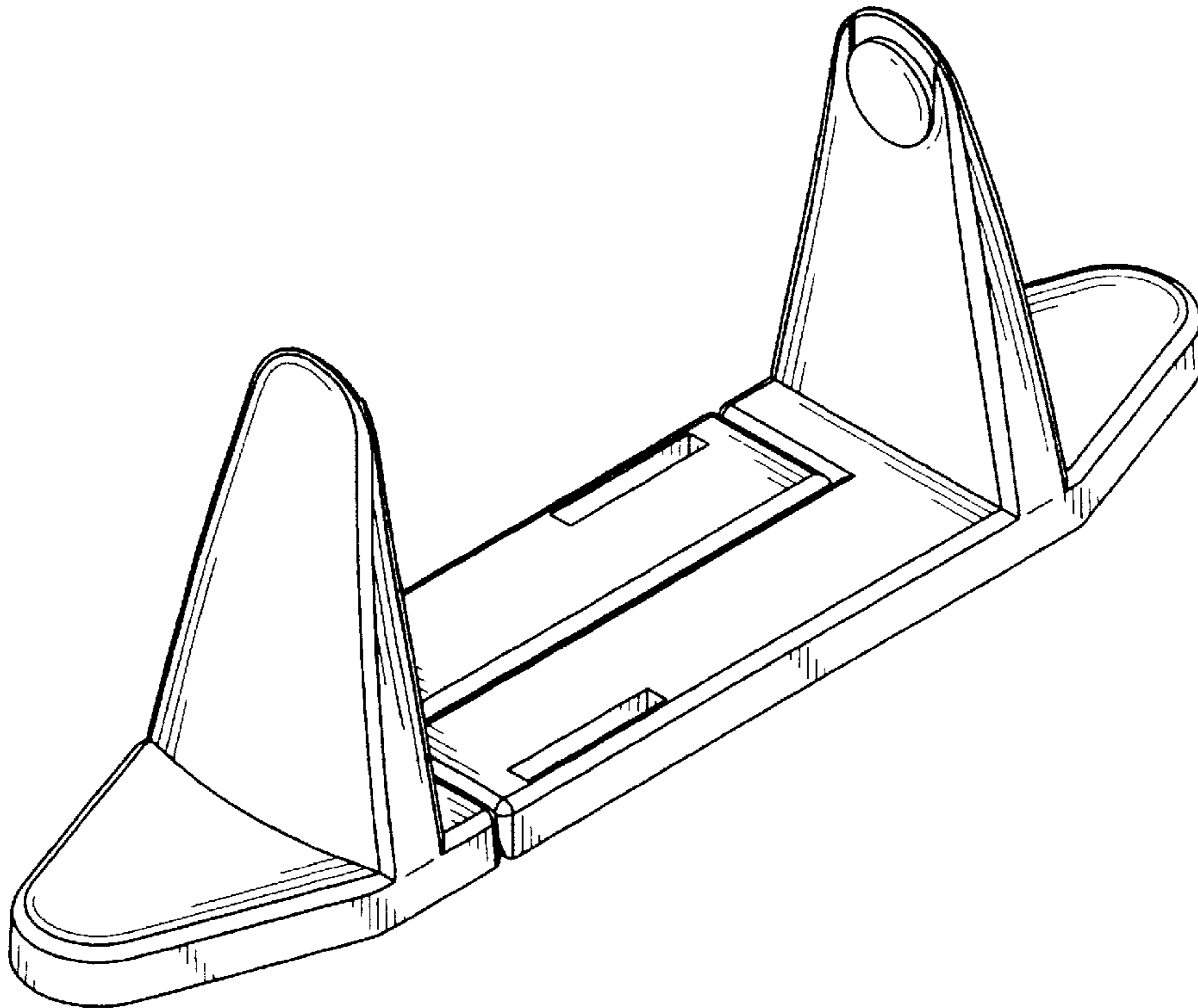
FIG. 12 is a left side elevational view of FIG. 9;

FIG. 13 is a right side elevational view of FIG. 9;

FIG. 14 is a top plan view of FIG. 9; and,

FIG. 15 is a bottom plan view of FIG. 9.

1 Claim, 10 Drawing Sheets



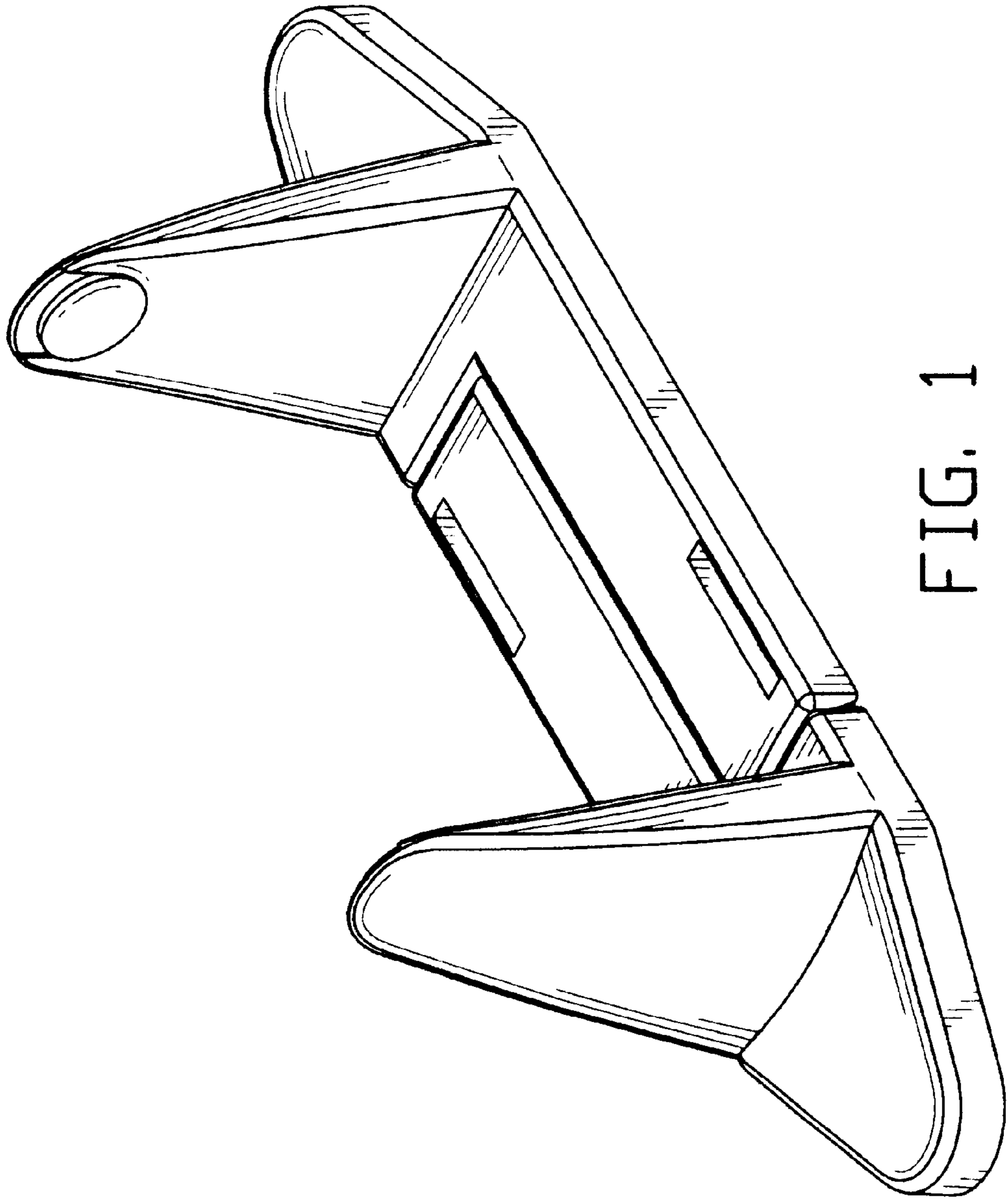


FIG. 1

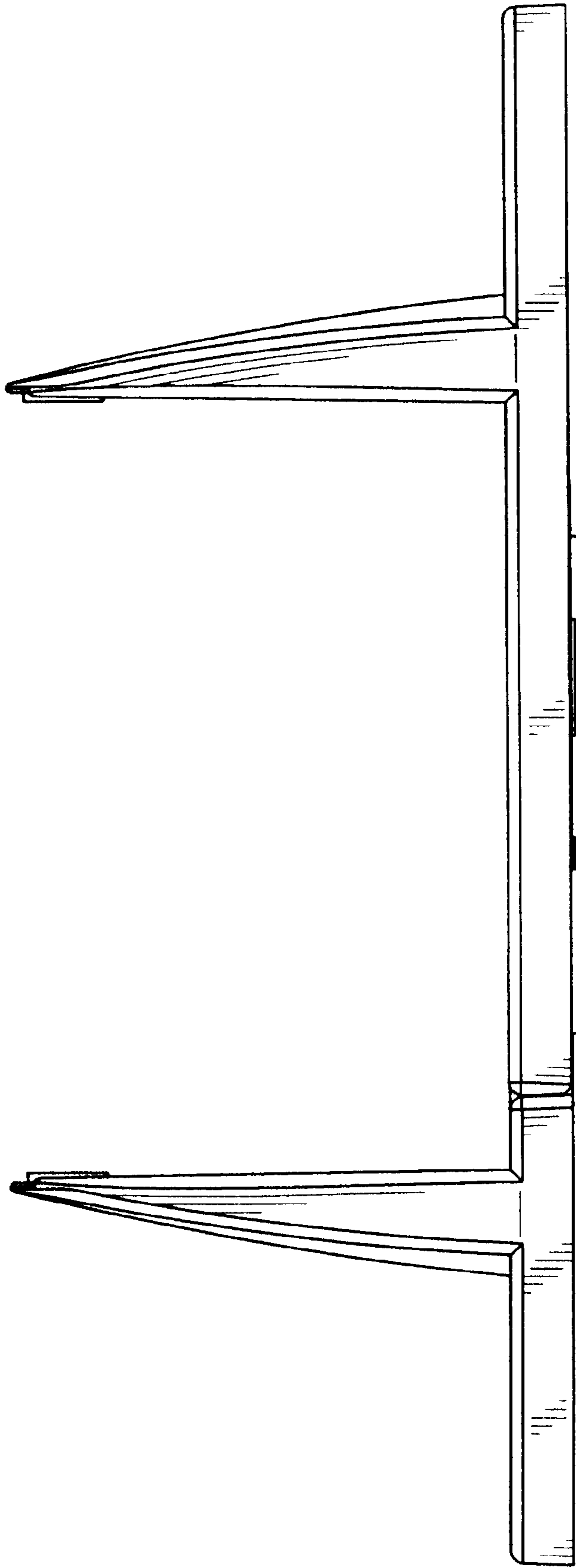


FIG. 2

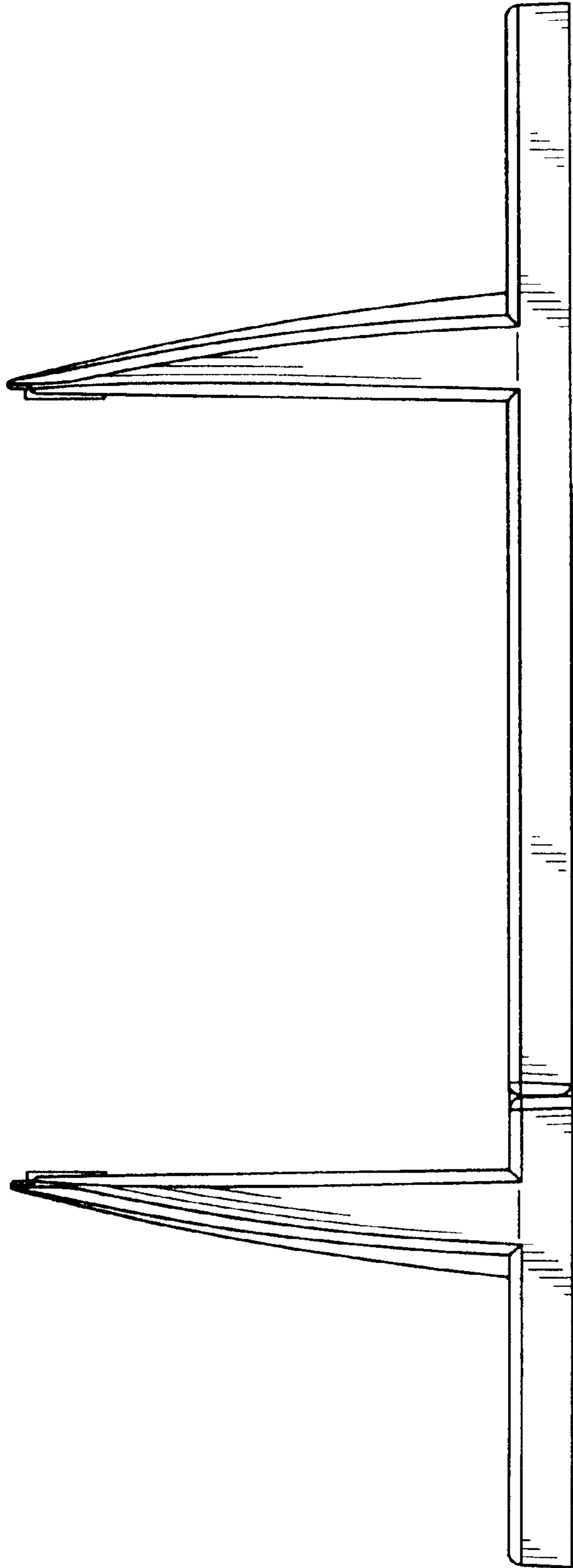


FIG. 3

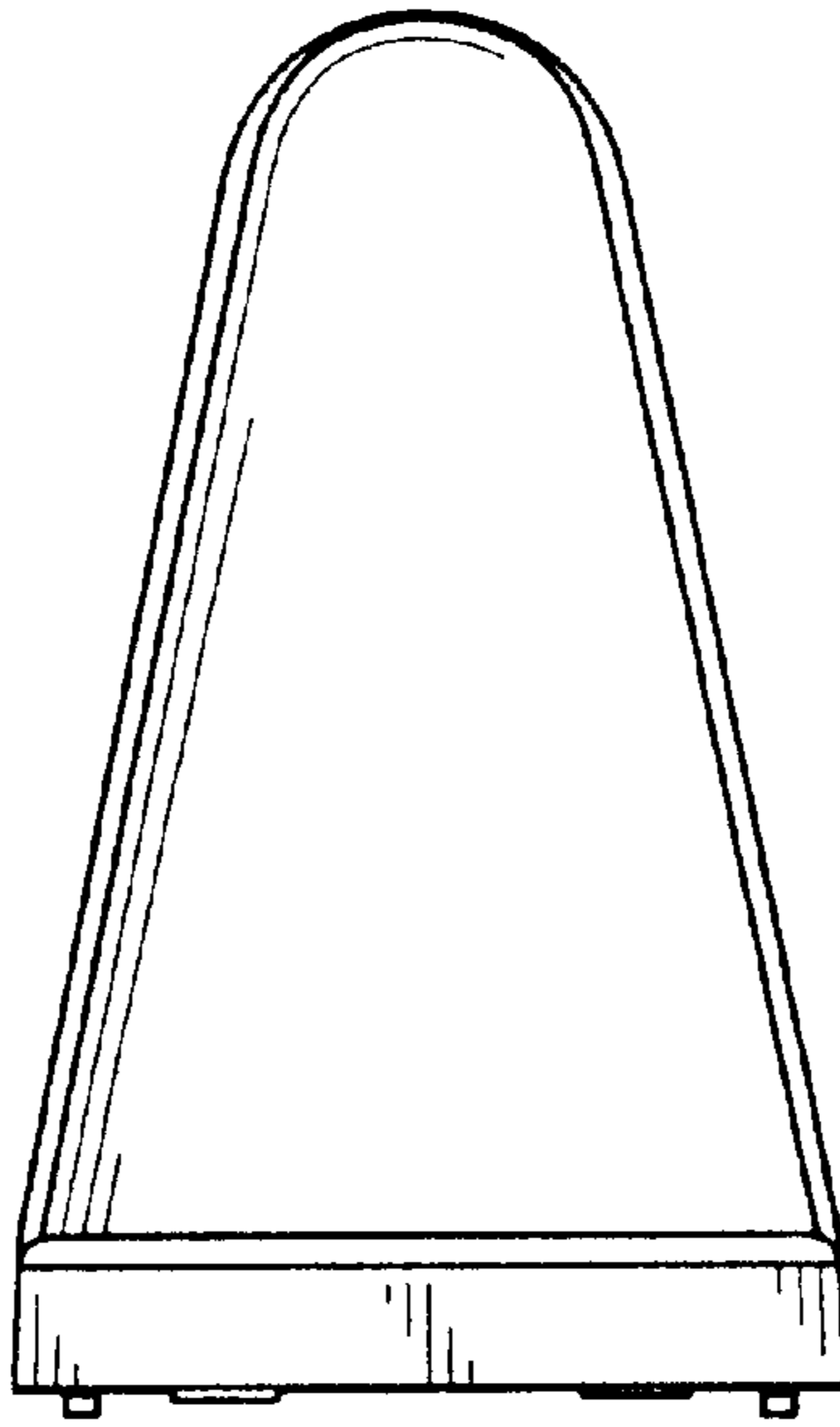


FIG. 4

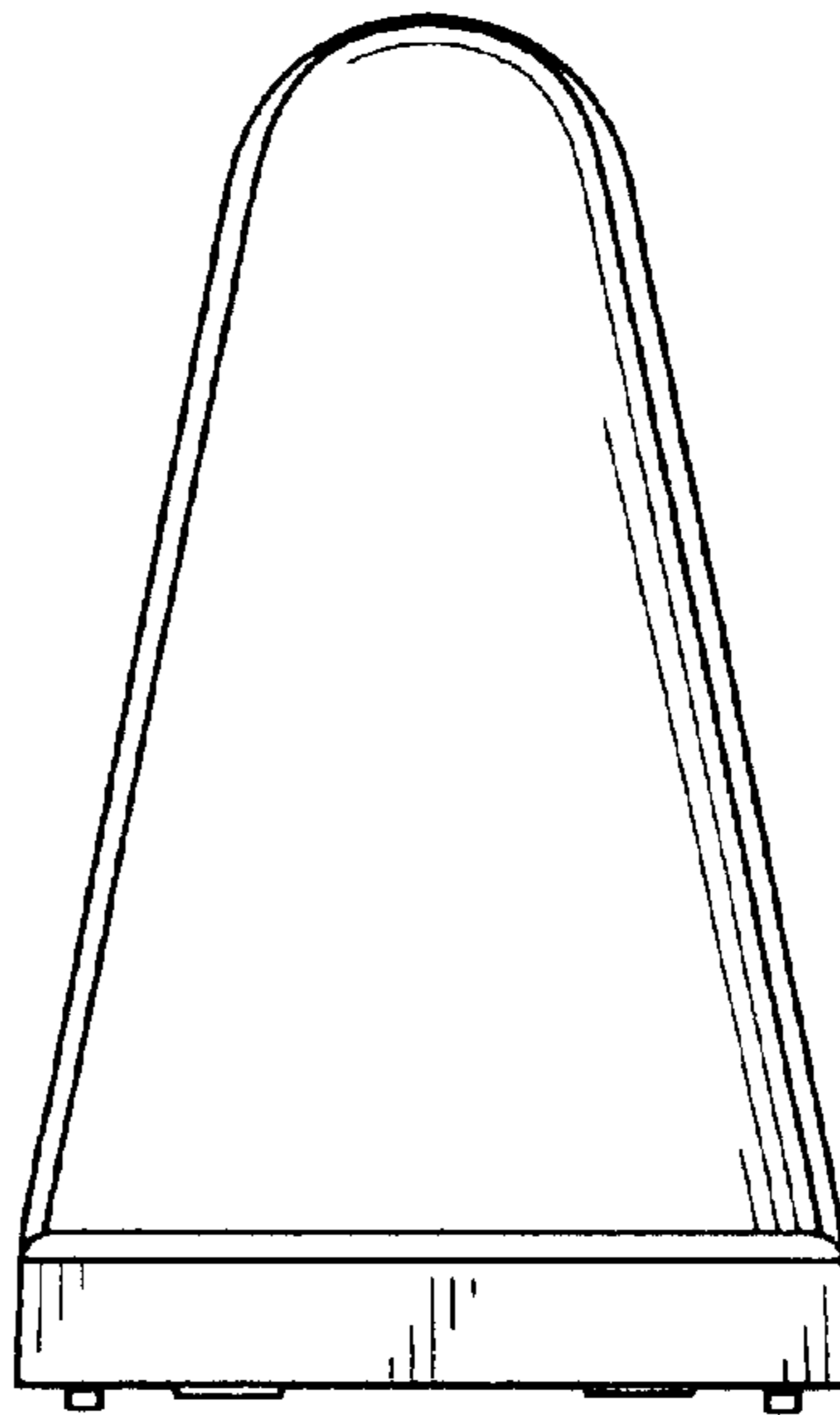


FIG. 5

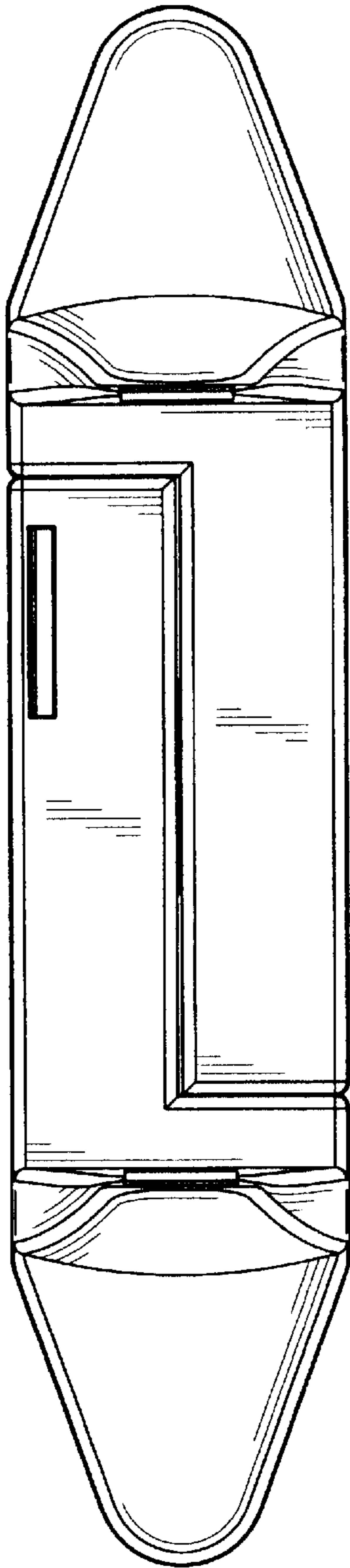


FIG. 6

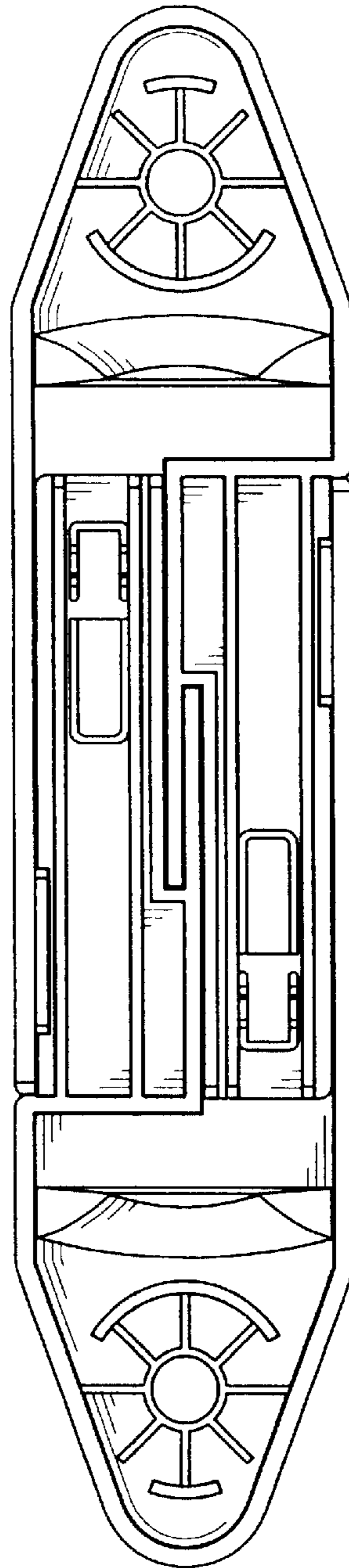


FIG. 7

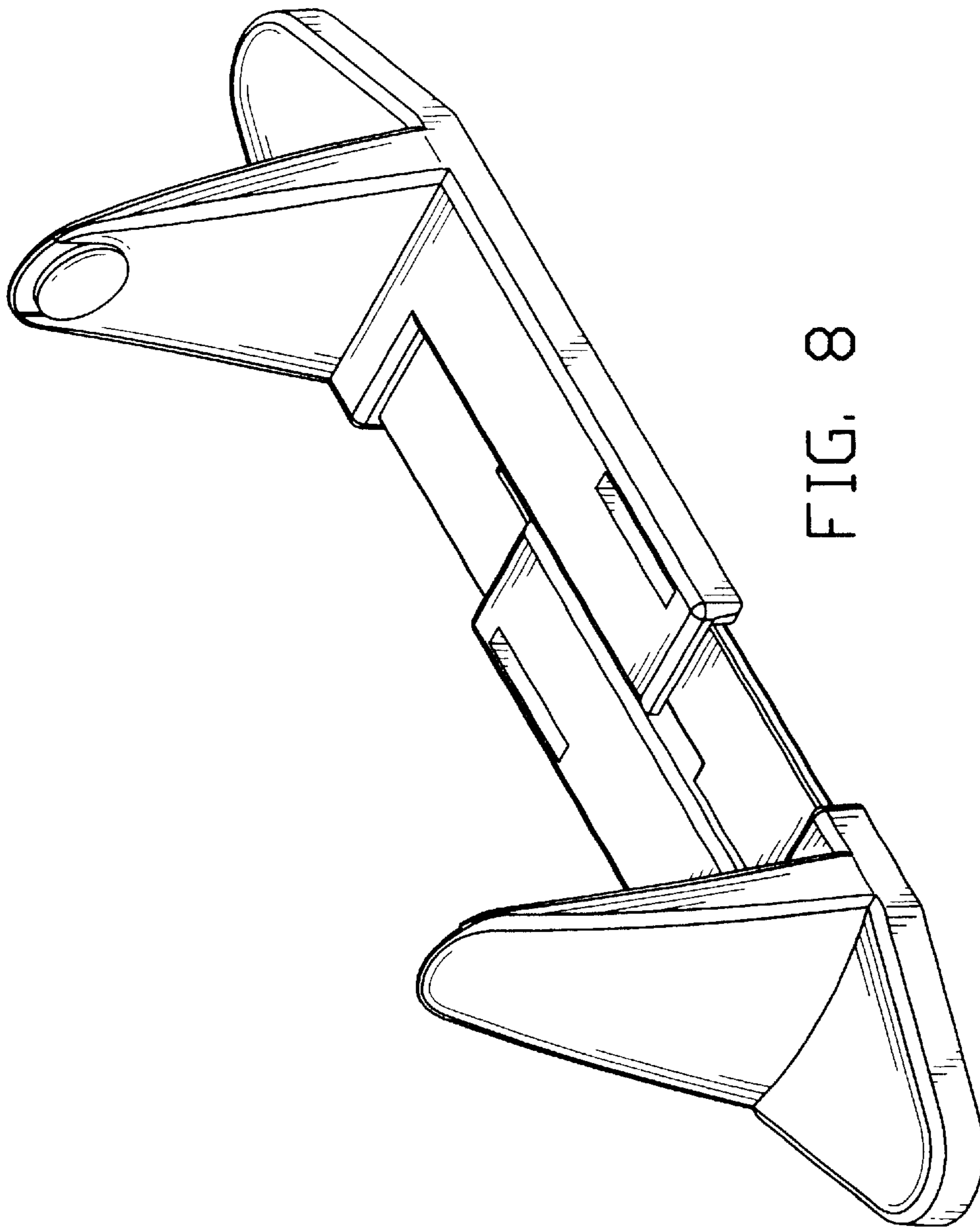


FIG. 8

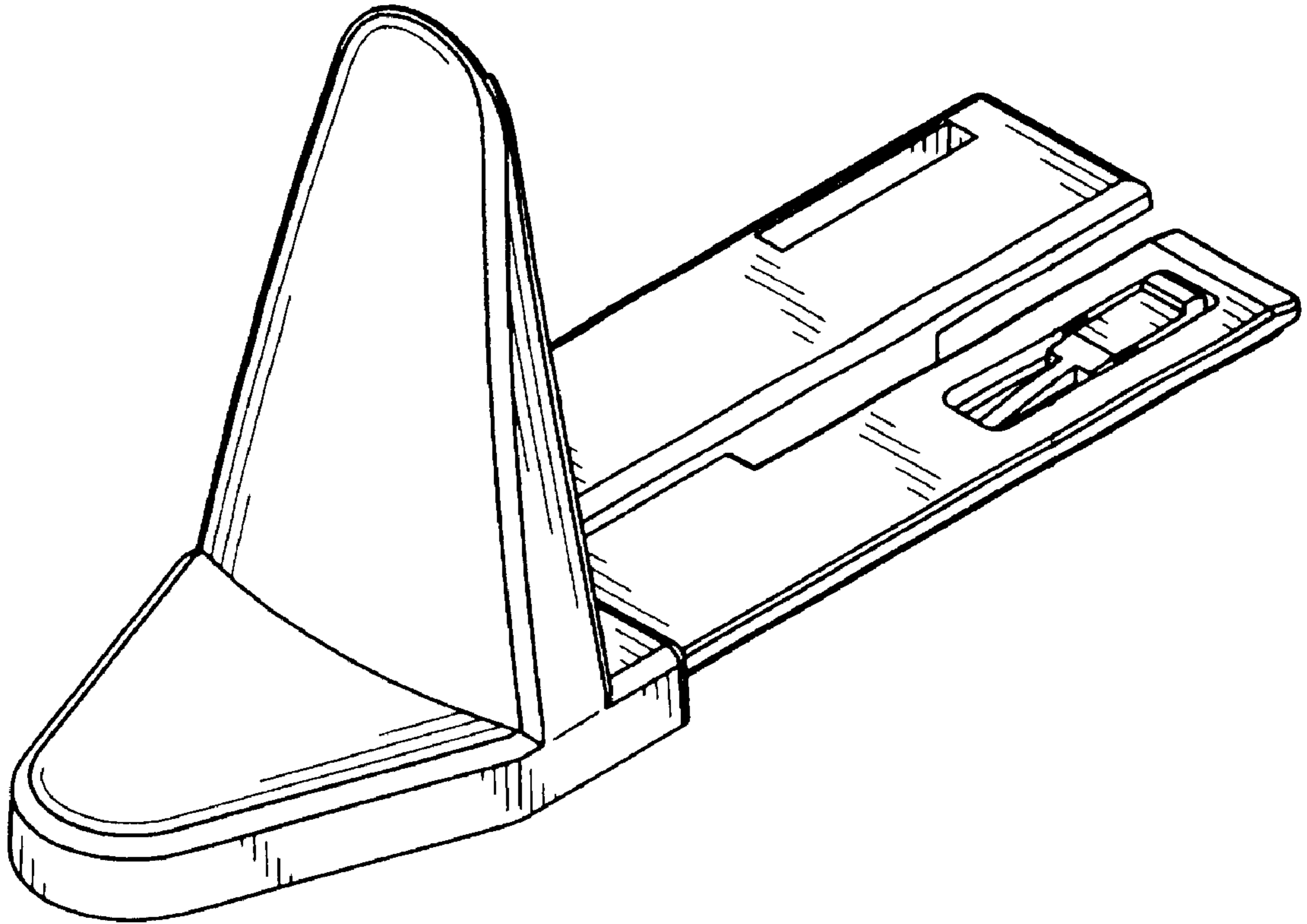


FIG. 9

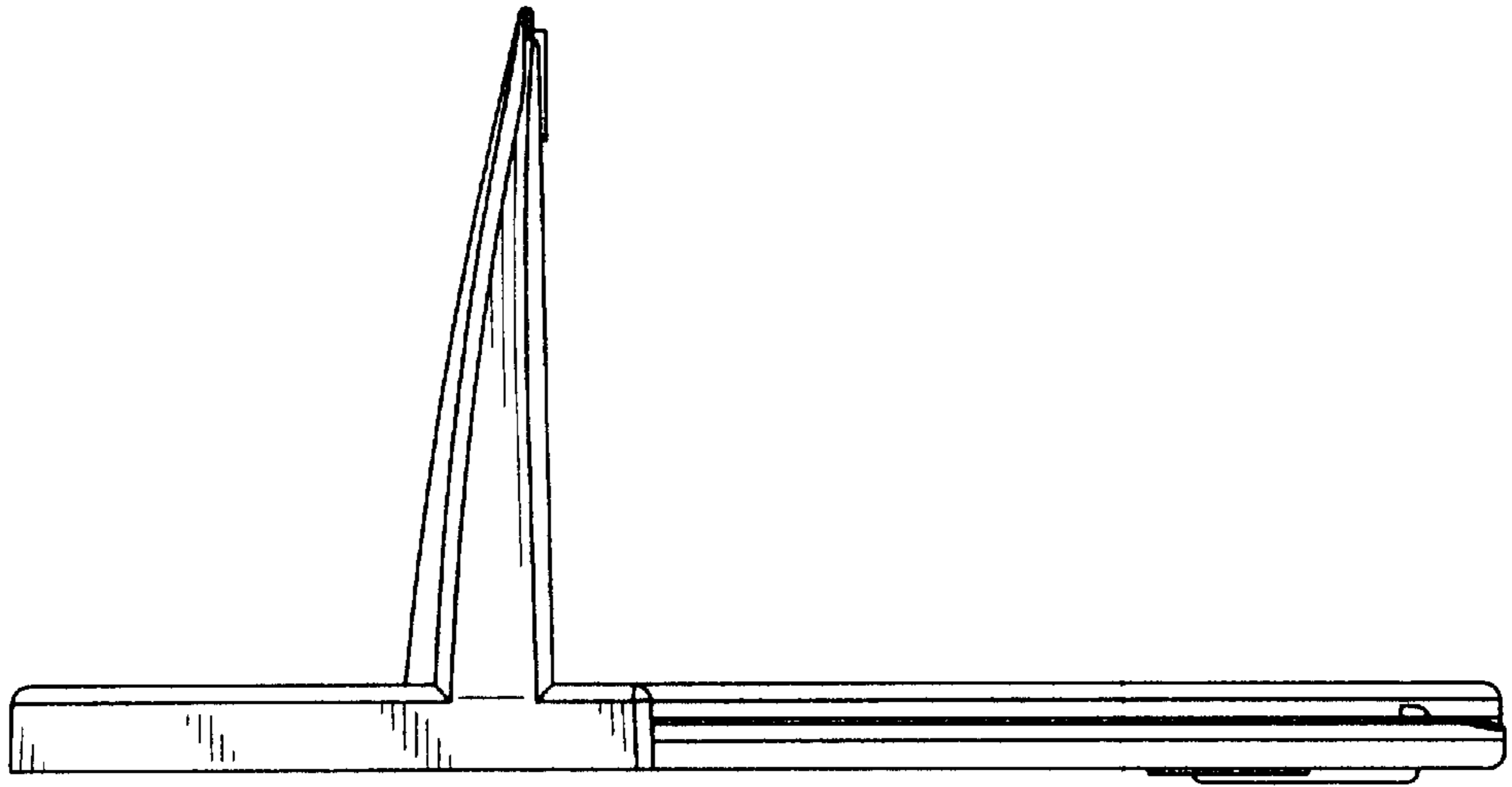


FIG. 10

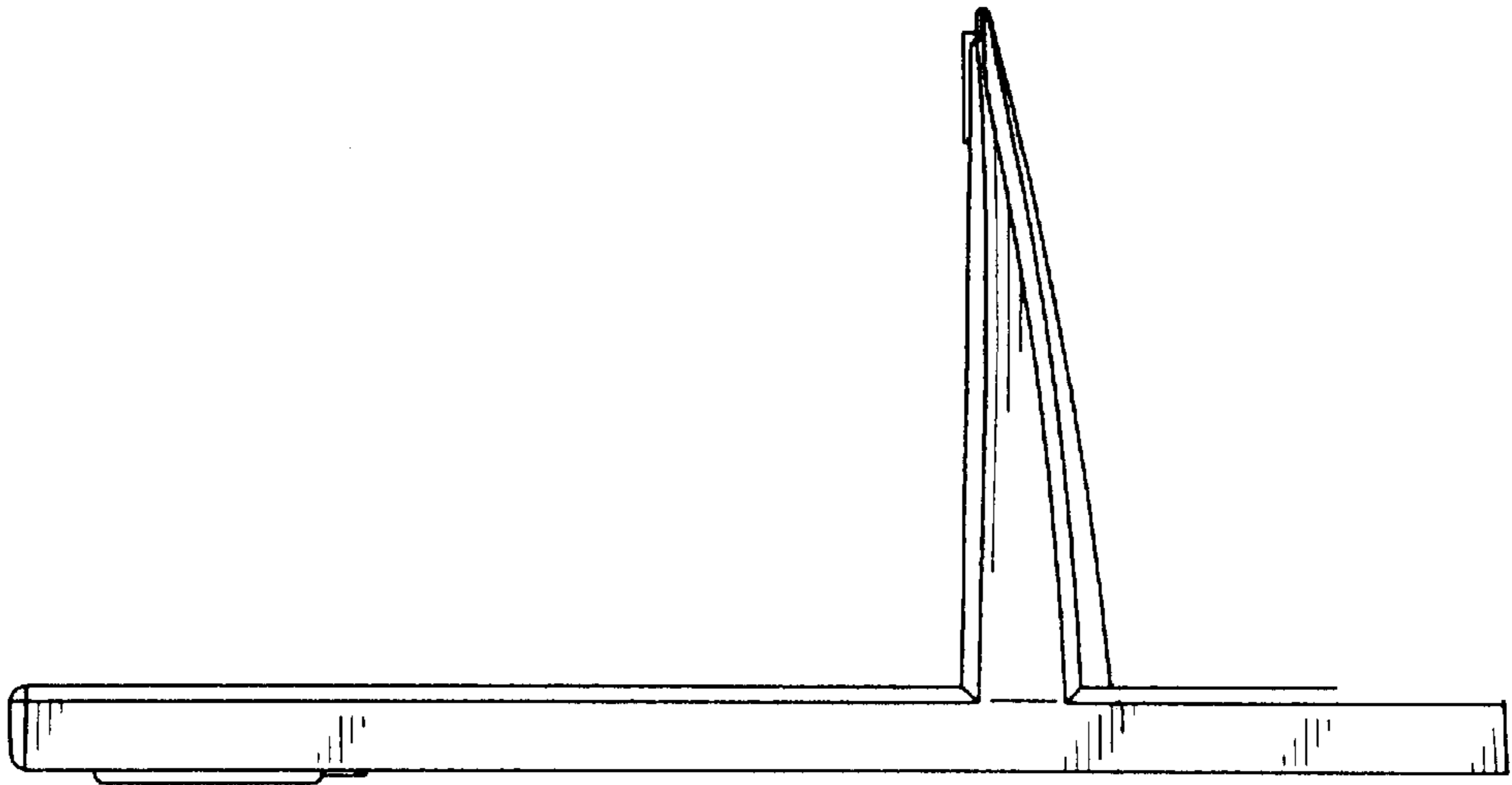


FIG. 11

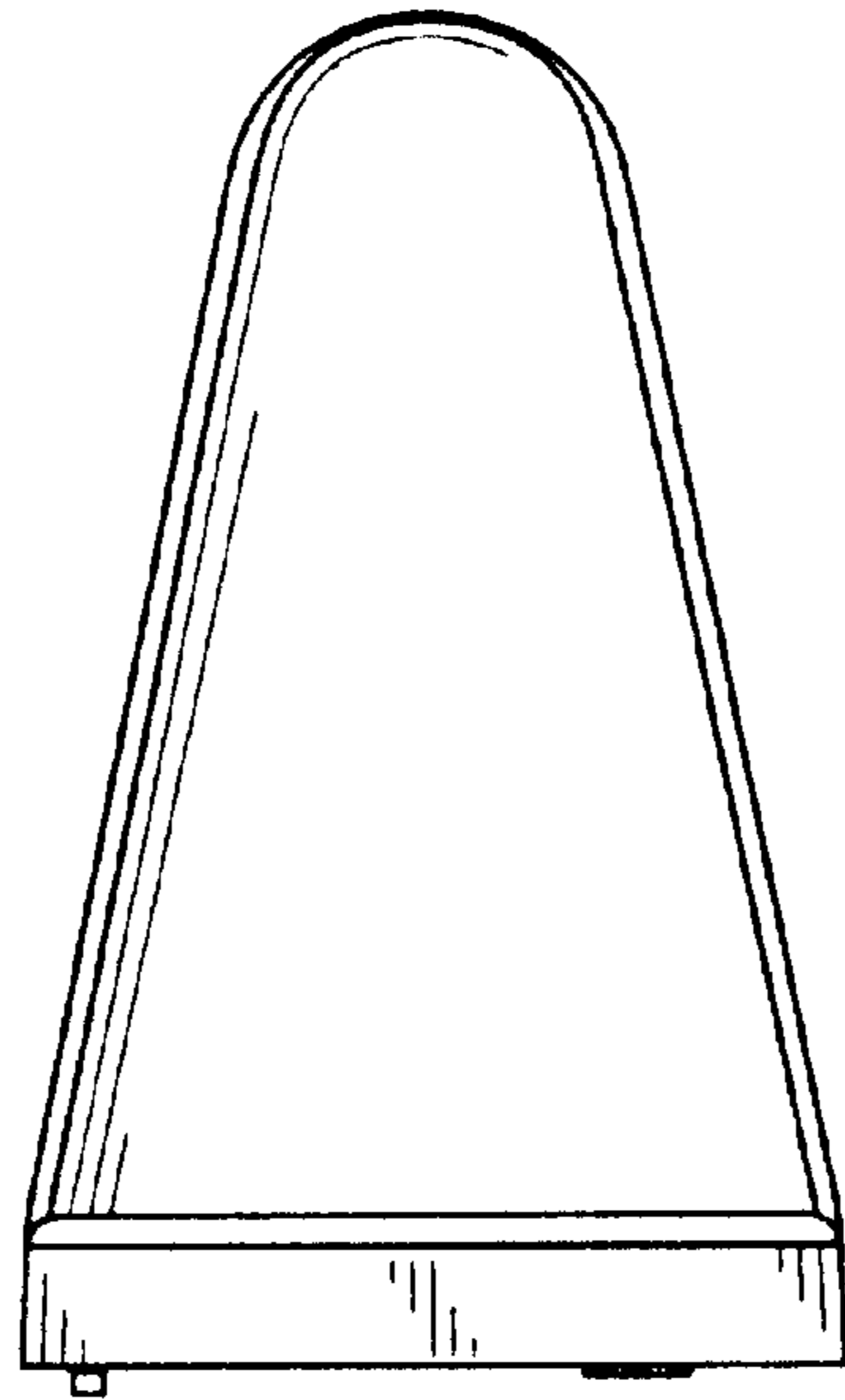


FIG. 12

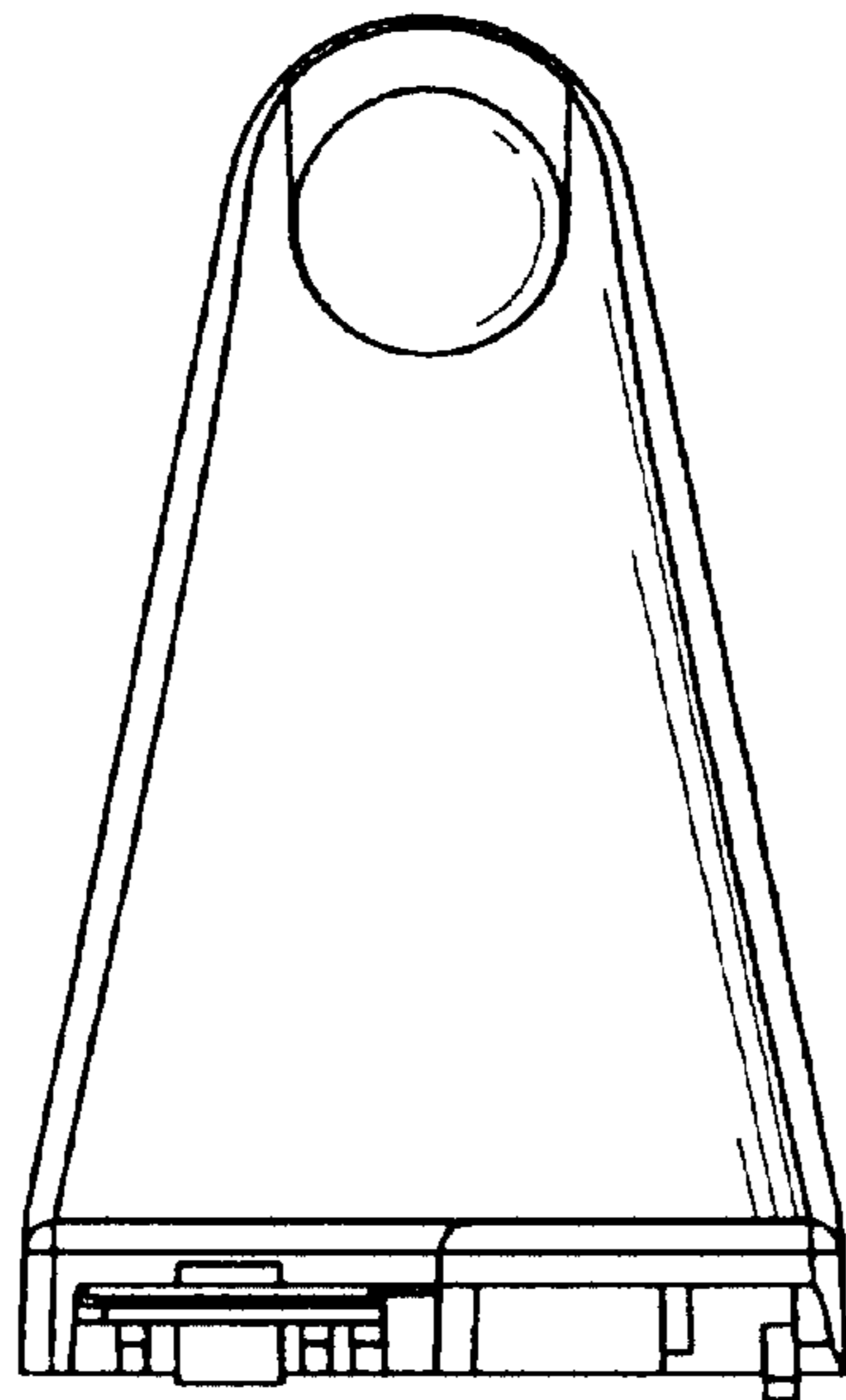


FIG. 13

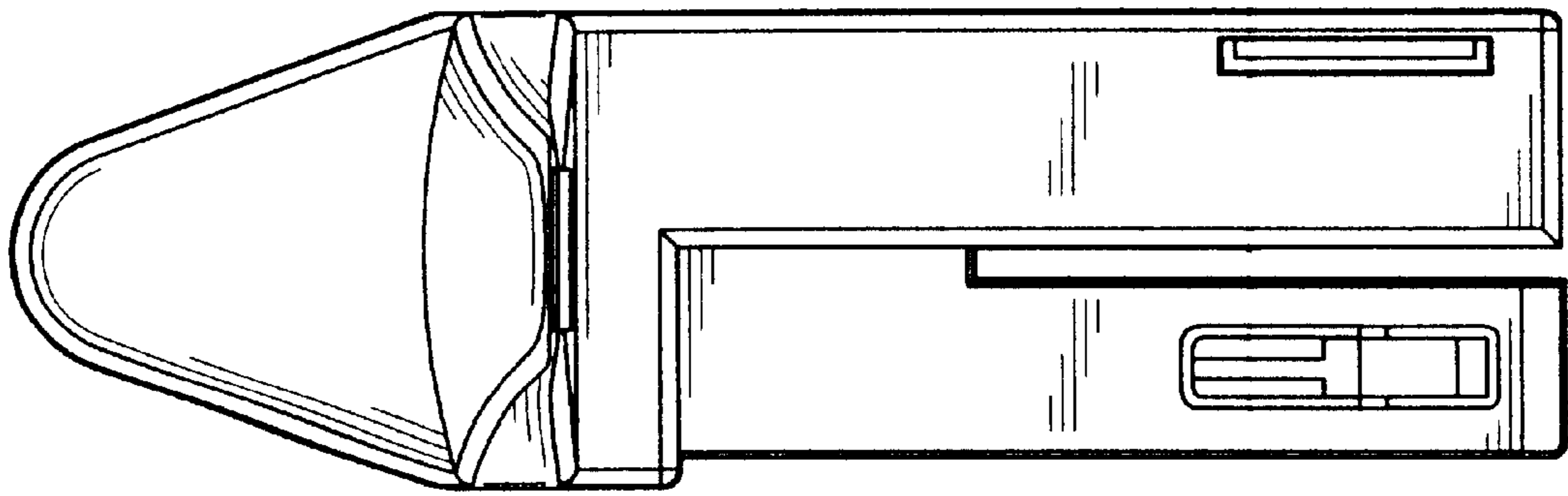


FIG. 14

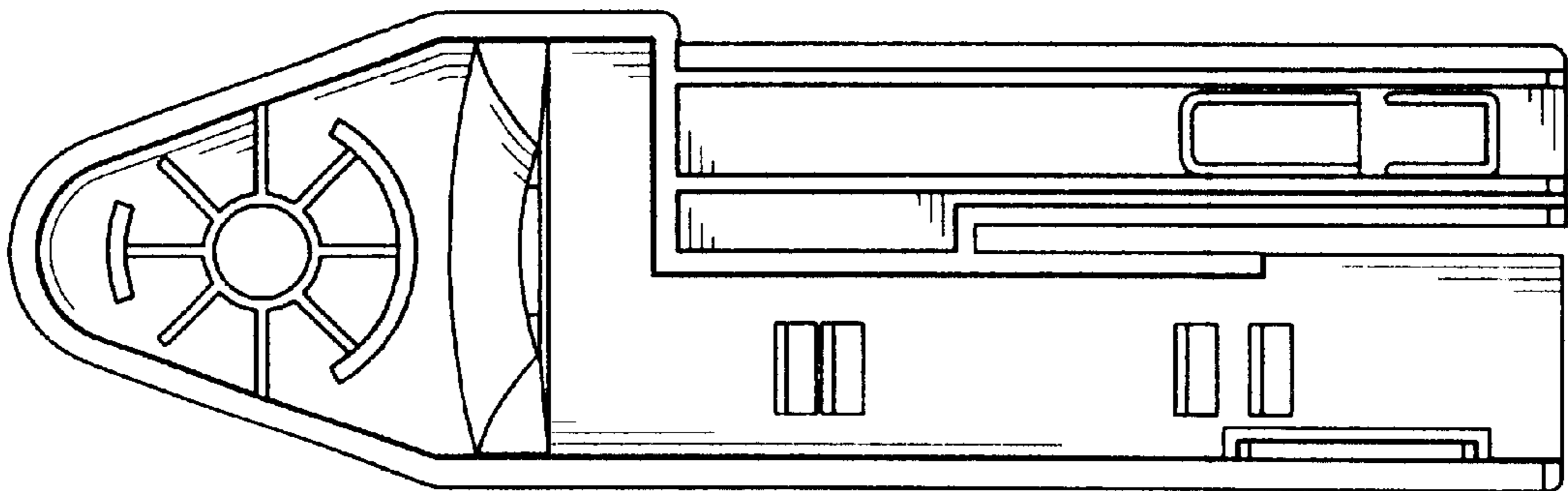


FIG. 15