



US00D482033S

(12) **United States Design Patent**
Duan

(10) **Patent No.:** **US D482,033 S**

(45) **Date of Patent:** **** Nov. 11, 2003**

(54) **LCD MULTIMEDIA MONITOR**

D431,537 S * 10/2000 Saeki et al. D14/126
D439,224 S * 3/2001 Kita D14/126

(75) Inventor: **Alex Duan**, Taipei (TW)

* cited by examiner

(73) Assignee: **Topvision Display Technologies, Inc.**,
Taipei (TW)

Primary Examiner—Freda Nunn

(74) *Attorney, Agent, or Firm*—Jenkins & Gilchrist, P.C.

(**) Term: **14 Years**

(57) **CLAIM**

(21) Appl. No.: **29/169,272**

The ornamental design for a LCD multimedia monitor, as shown and described.

(22) Filed: **Oct. 16, 2002**

DESCRIPTION

(51) **LOC (7) Cl.** **14-02**

(52) **U.S. Cl.** **D14/371**

(58) **Field of Search** D14/371-382,
D14/125-129; 248/917-924; 341/12; 345/104,
156, 168, 173, 87; 348/180, 184, 325, 739;
349/1, 2, 11, 62; D20/10

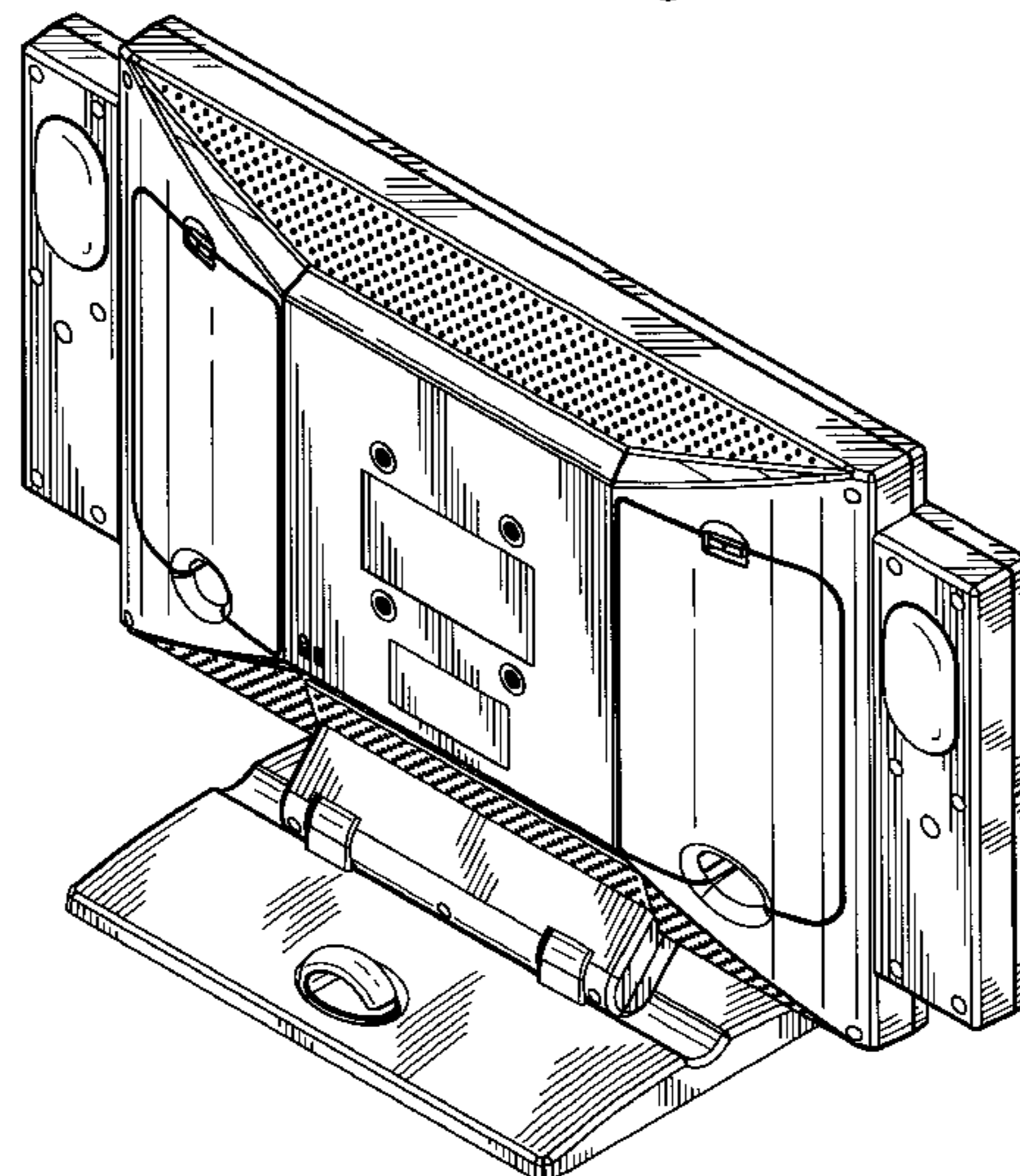
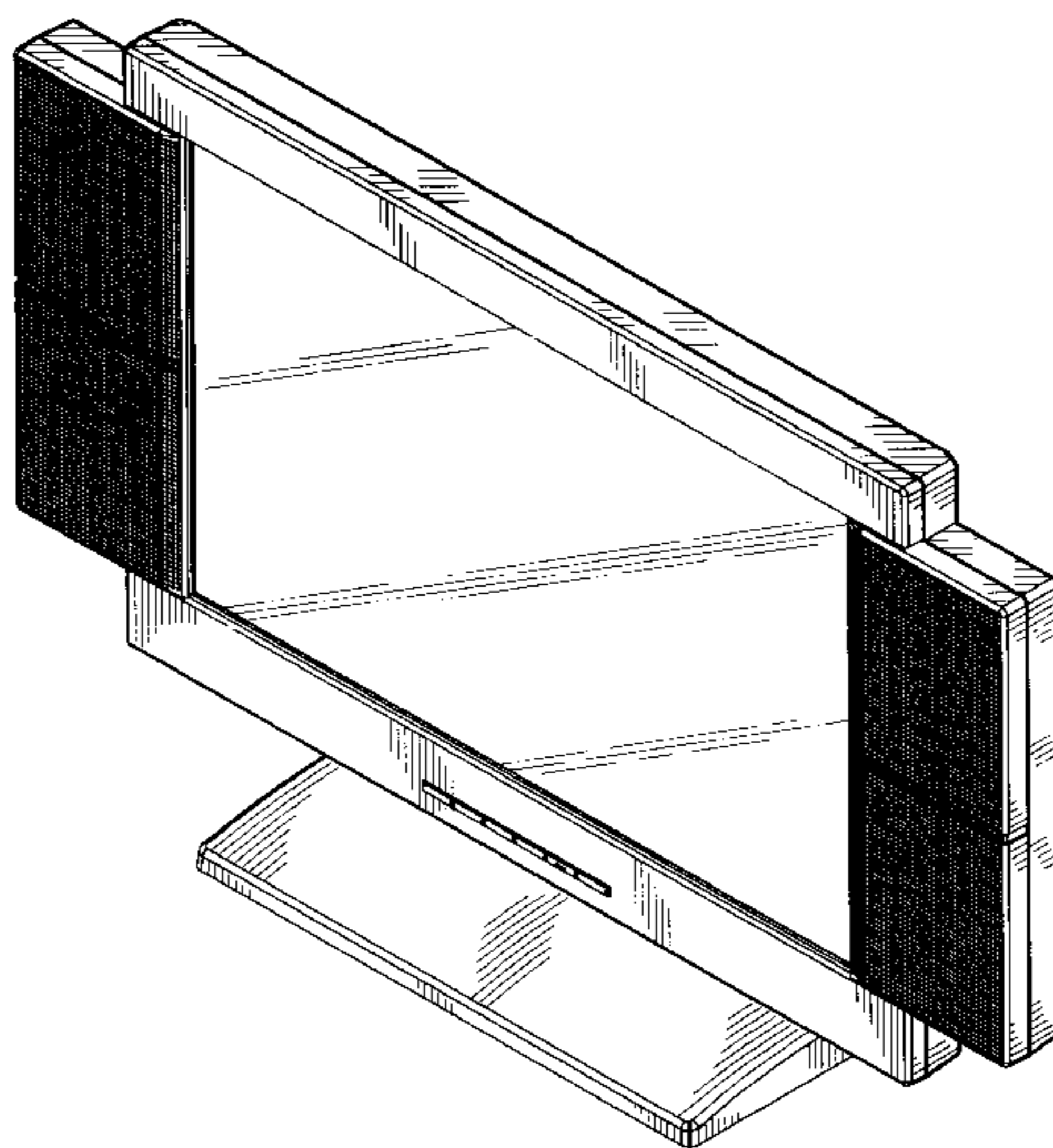
FIG. 1 is a front perspective view of LCD multimedia monitor showing my new design;
FIG. 2 is a front elevational view thereof;
FIG. 3 is a rear elevational view thereof;
FIG. 4 is a left side elevational view thereof;
FIG. 5 is a right side elevational view thereof;
FIG. 6 is a top plan view thereof;
FIG. 7 is a bottom plan view thereof; and,
FIG. 8 is a rear perspective view of LCD multimedia monitor showing my new design.

(56) **References Cited**

U.S. PATENT DOCUMENTS

D395,453 S * 6/1998 Kawasaki et al. D20/10
D417,659 S * 12/1999 Takemasa D14/374

1 Claim, 5 Drawing Sheets



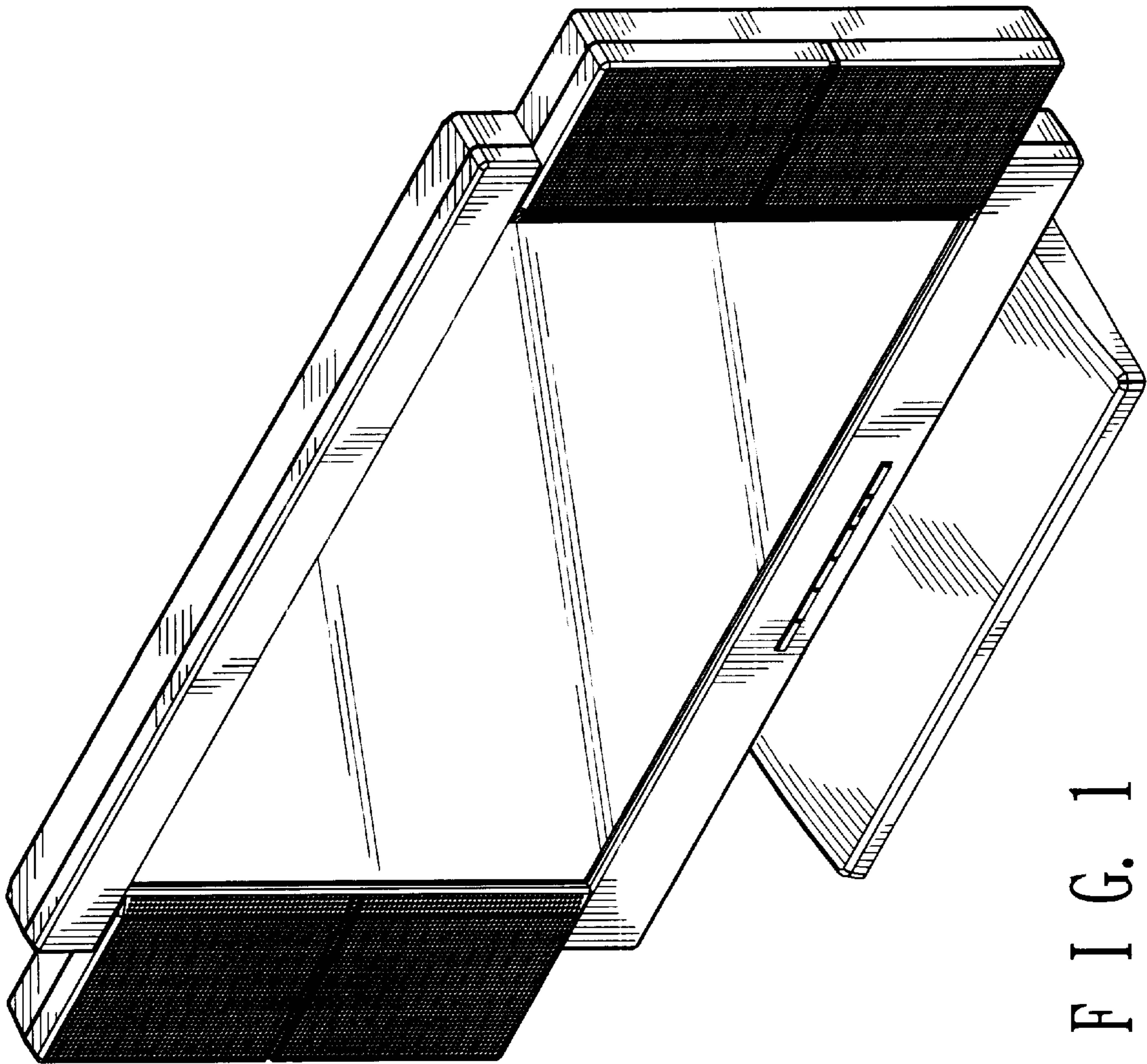


FIG. 1

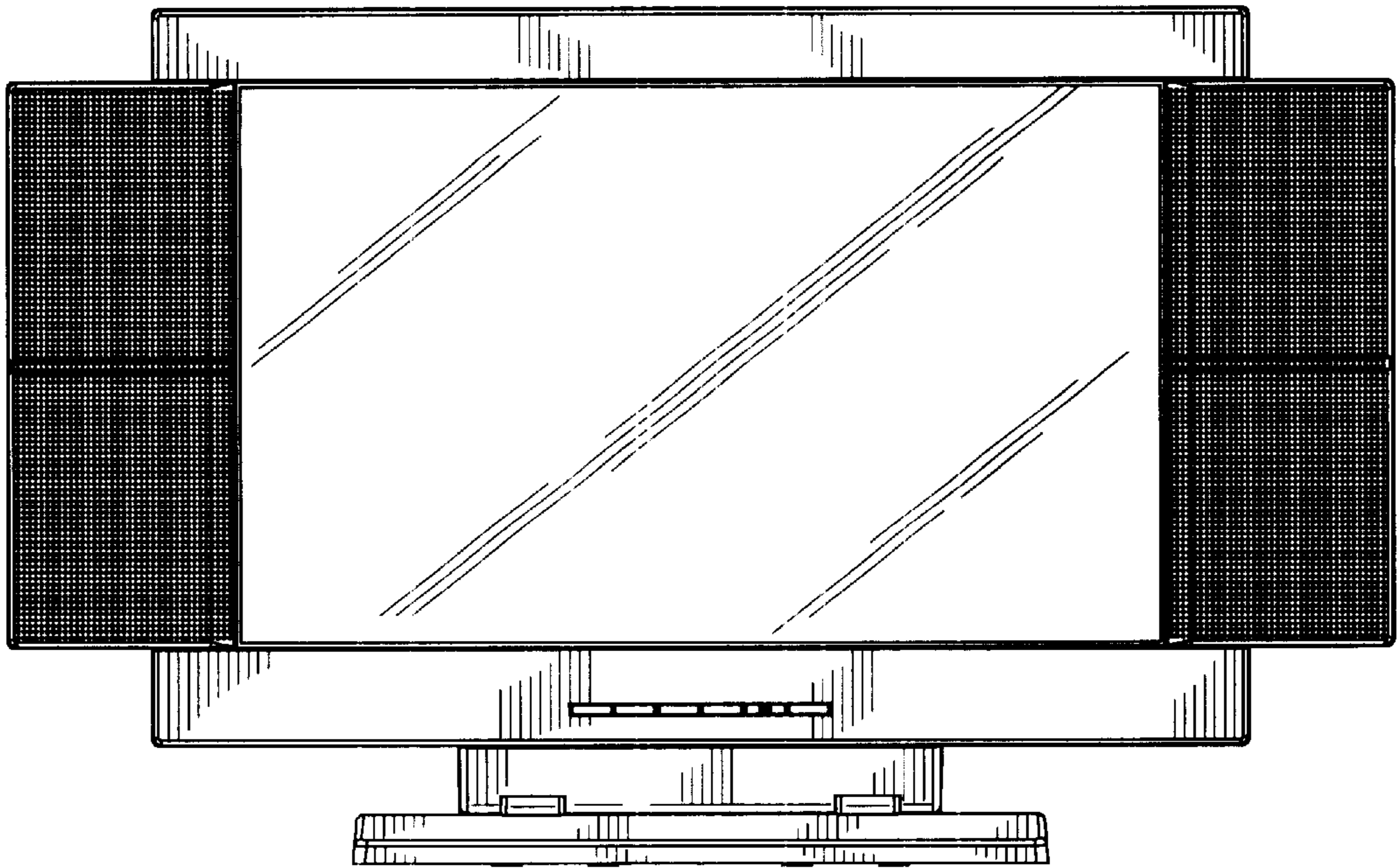


FIG. 2

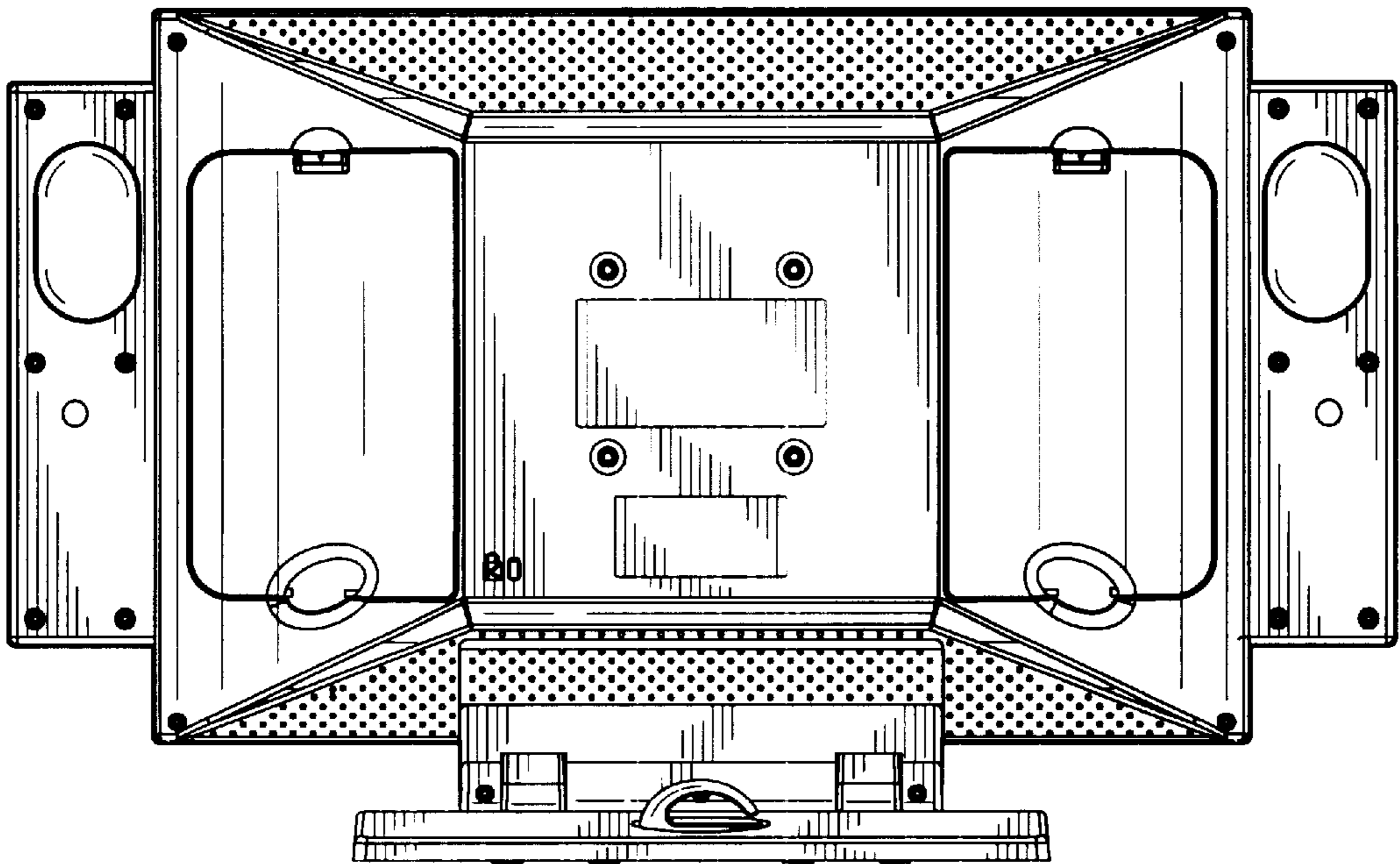


FIG. 3

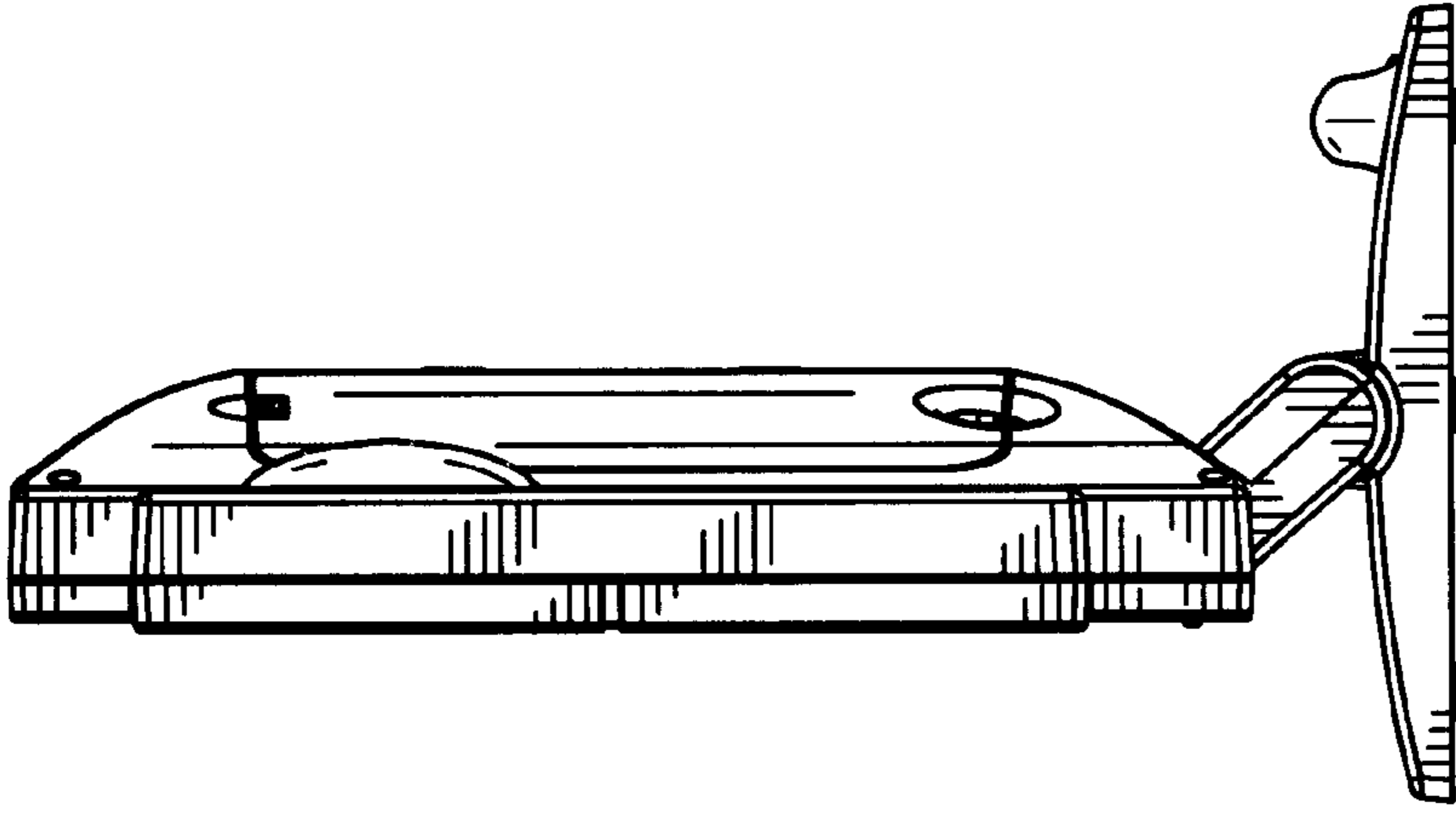


FIG. 5

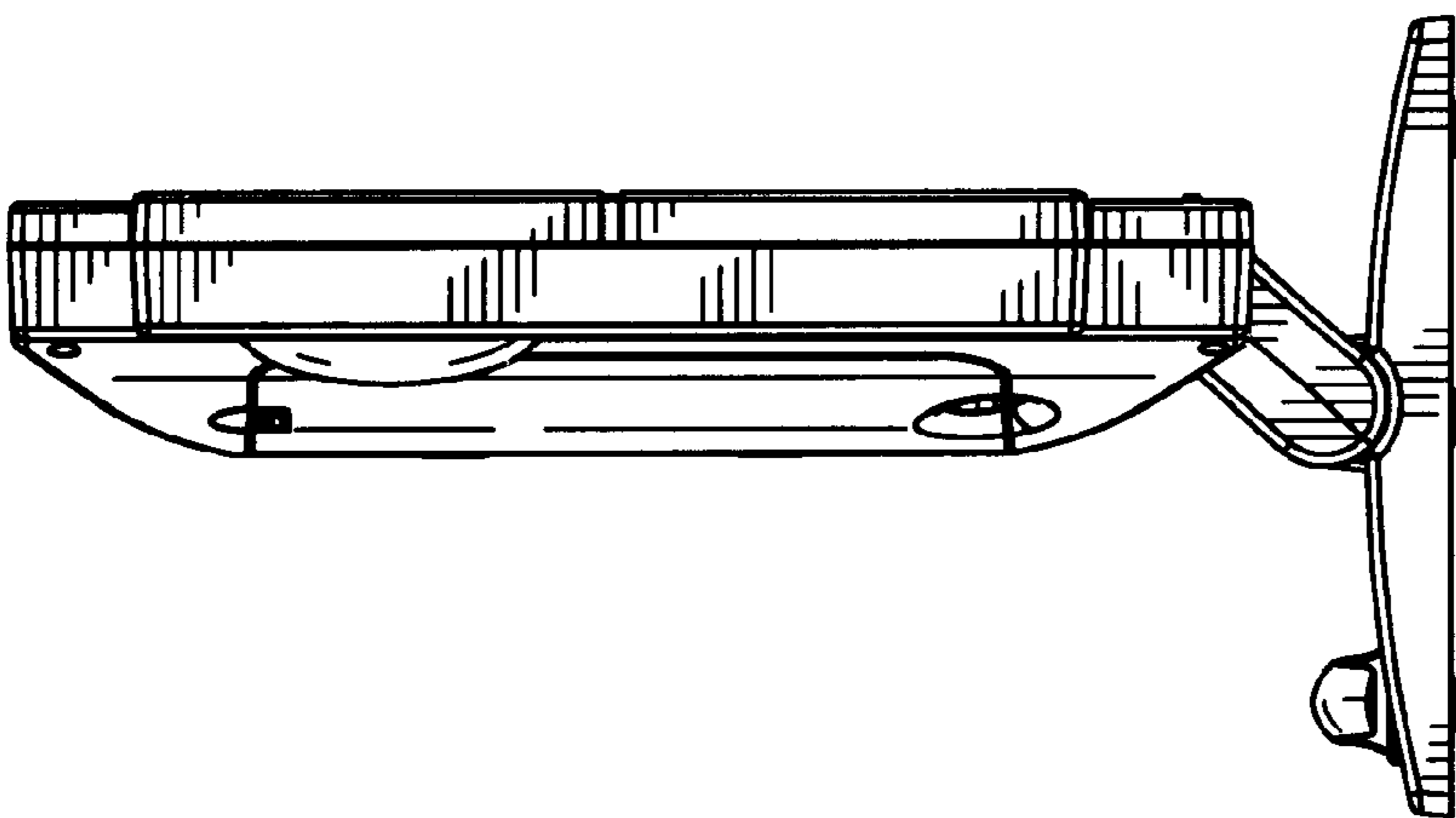


FIG. 4

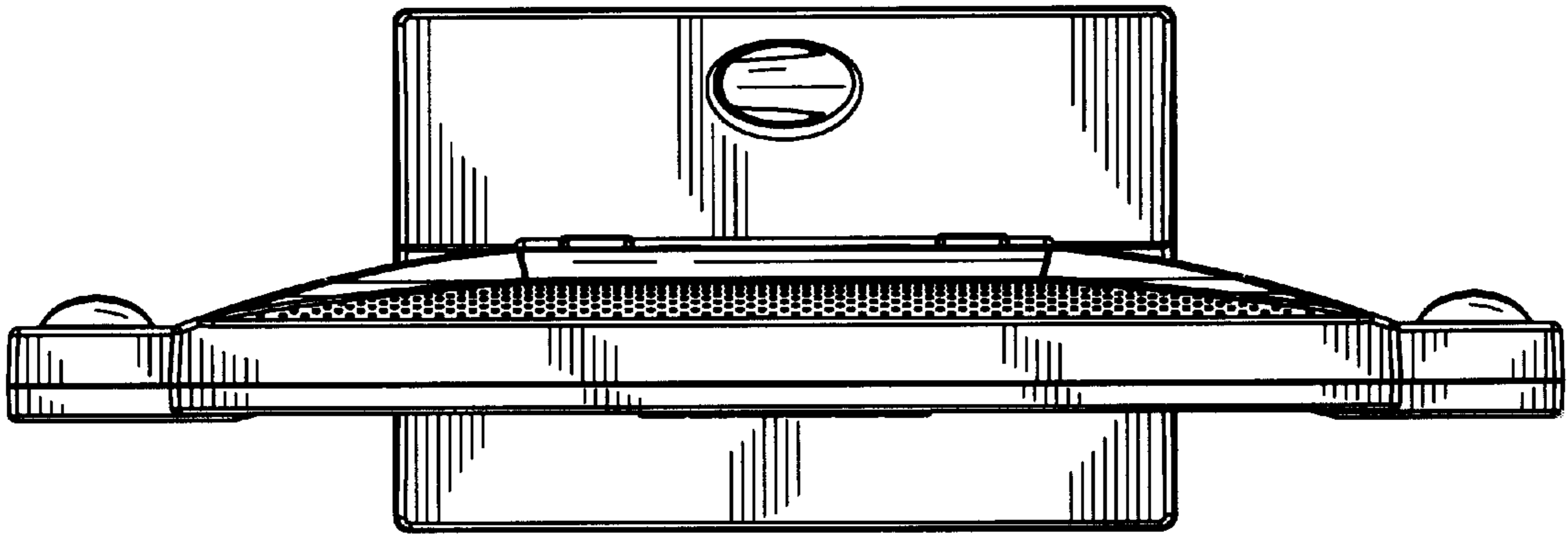


FIG. 6

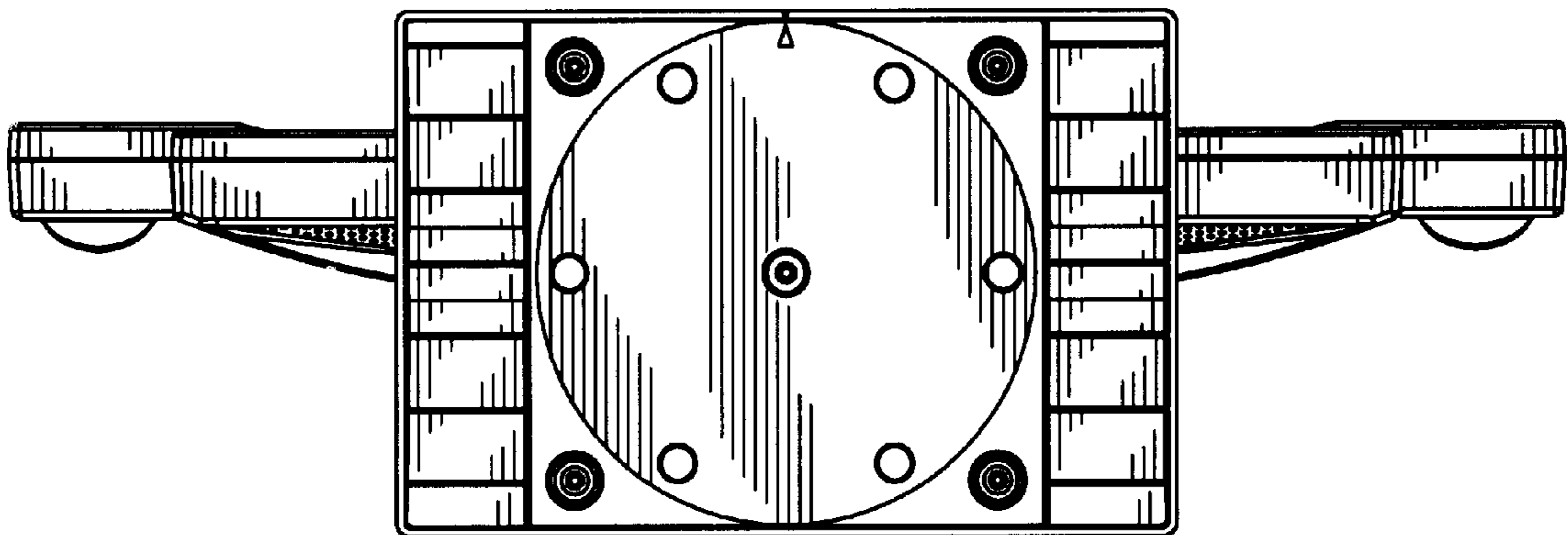


FIG. 7

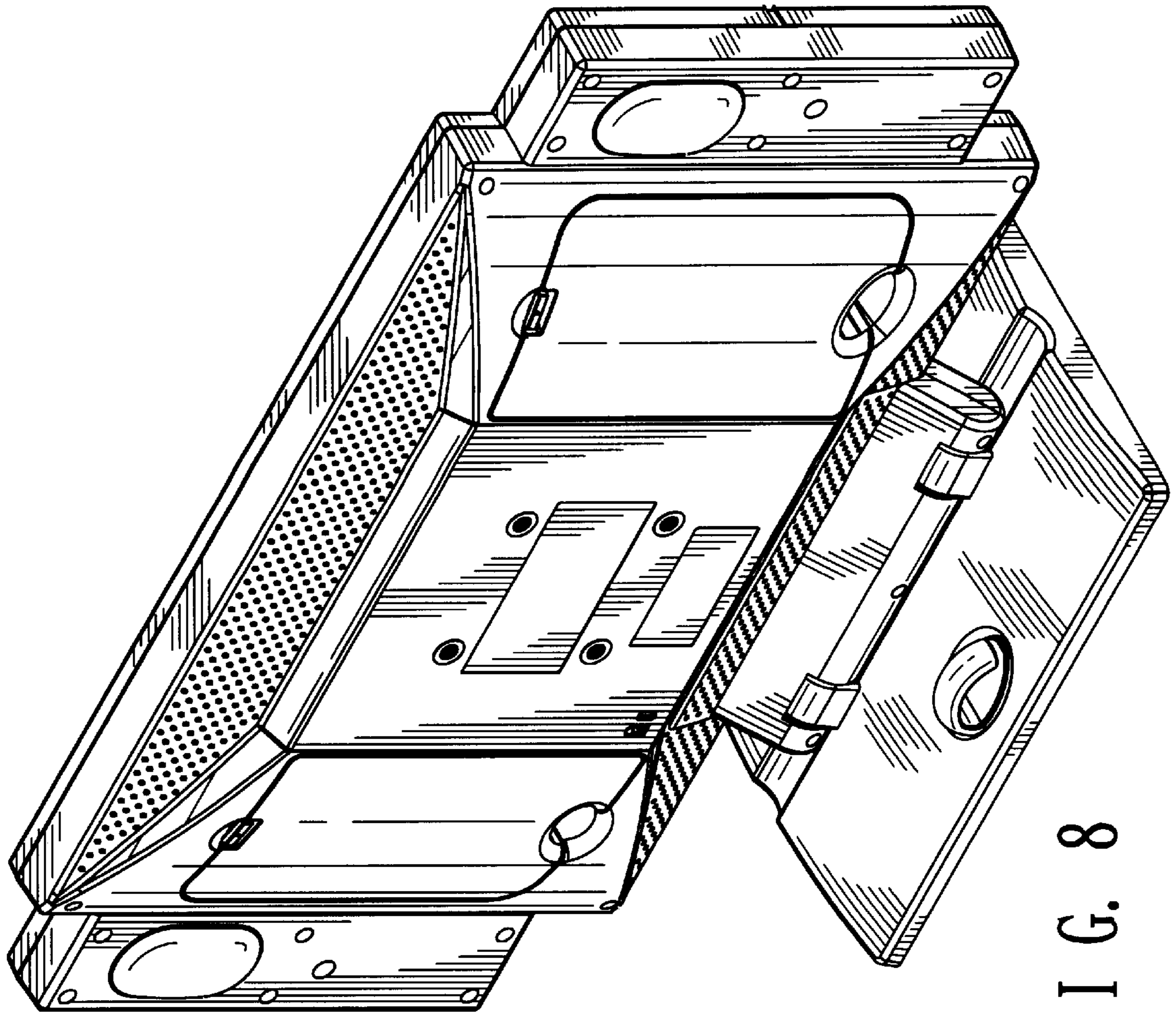


FIG. 8