



US00D482032S

(12) **United States Design Patent**  
**Onozato et al.**

(10) **Patent No.:** **US D482,032 S**

(45) **Date of Patent:** **\*\* Nov. 11, 2003**

(54) **DATA DISPLAY FOR ELECTRONIC COMPUTERS**

D442,581 S \* 5/2001 Su ..... D14/336  
D442,951 S \* 5/2001 Hill et al. .... D14/336

(75) Inventors: **Akihiko Onozato**, Tokyo (JP); **Jun Katsunuma**, Tokyo (JP)

\* cited by examiner

(73) Assignee: **NEC Corporation**, Tokyo (JP)

*Primary Examiner*—Freda Nunn

(\*\*) Term: **14 Years**

(74) *Attorney, Agent, or Firm*—Sughrue Mion, PLLC

(21) Appl. No.: **29/169,109**

(22) Filed: **Oct. 16, 2002**

(30) **Foreign Application Priority Data**

May 17, 2002 (JP) ..... 2002-013229

(51) **LOC (7) Cl.** ..... **14-02**

(52) **U.S. Cl.** ..... **D14/371**

(58) **Field of Search** ..... D14/371-382,  
D14/125-129, 336, 337; 248/917-924;  
341/12; 345/104, 156, 168, 173, 87; 348/180,  
184, 325, 739; 349/1, 2, 11, 62

(56) **References Cited**

**U.S. PATENT DOCUMENTS**

D432,534 S \* 10/2000 Hirose et al. .... D14/337

(57) **CLAIM**

The ornamental design for a data display for electronic computers, as shown.

**DESCRIPTION**

FIG. 1 is a perspective view of the top, front and left side of a data display for electronic computers showing our new design;

FIG. 2 is a front elevational view thereof;

FIG. 3 is a rear elevational view thereof;

FIG. 4 is a left side elevational view thereof;

FIG. 5 is a right side elevational view thereof;

FIG. 6 is a top plan view thereof; and,

FIG. 7 is a bottom plan view thereof.

**1 Claim, 4 Drawing Sheets**

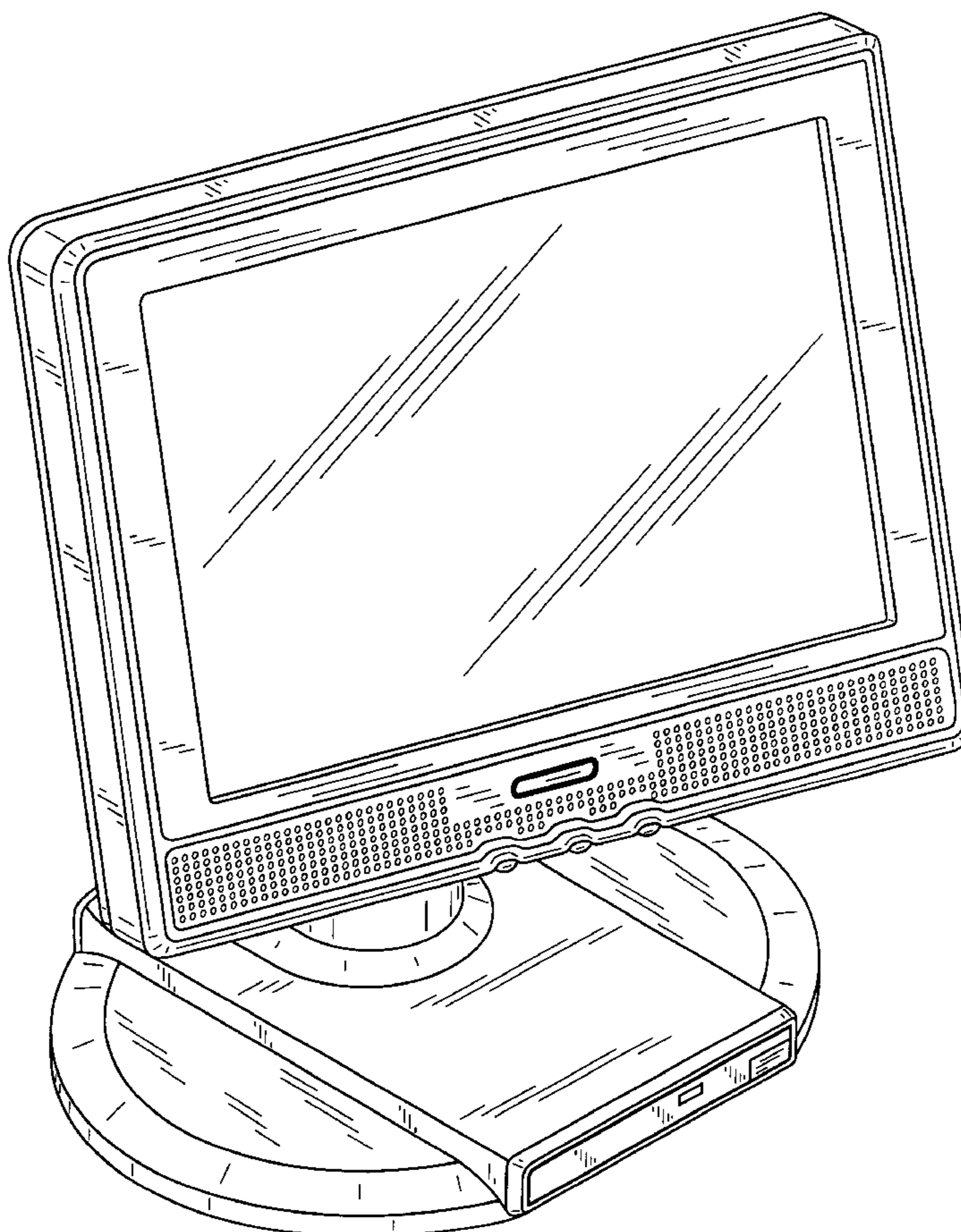


FIG. 1

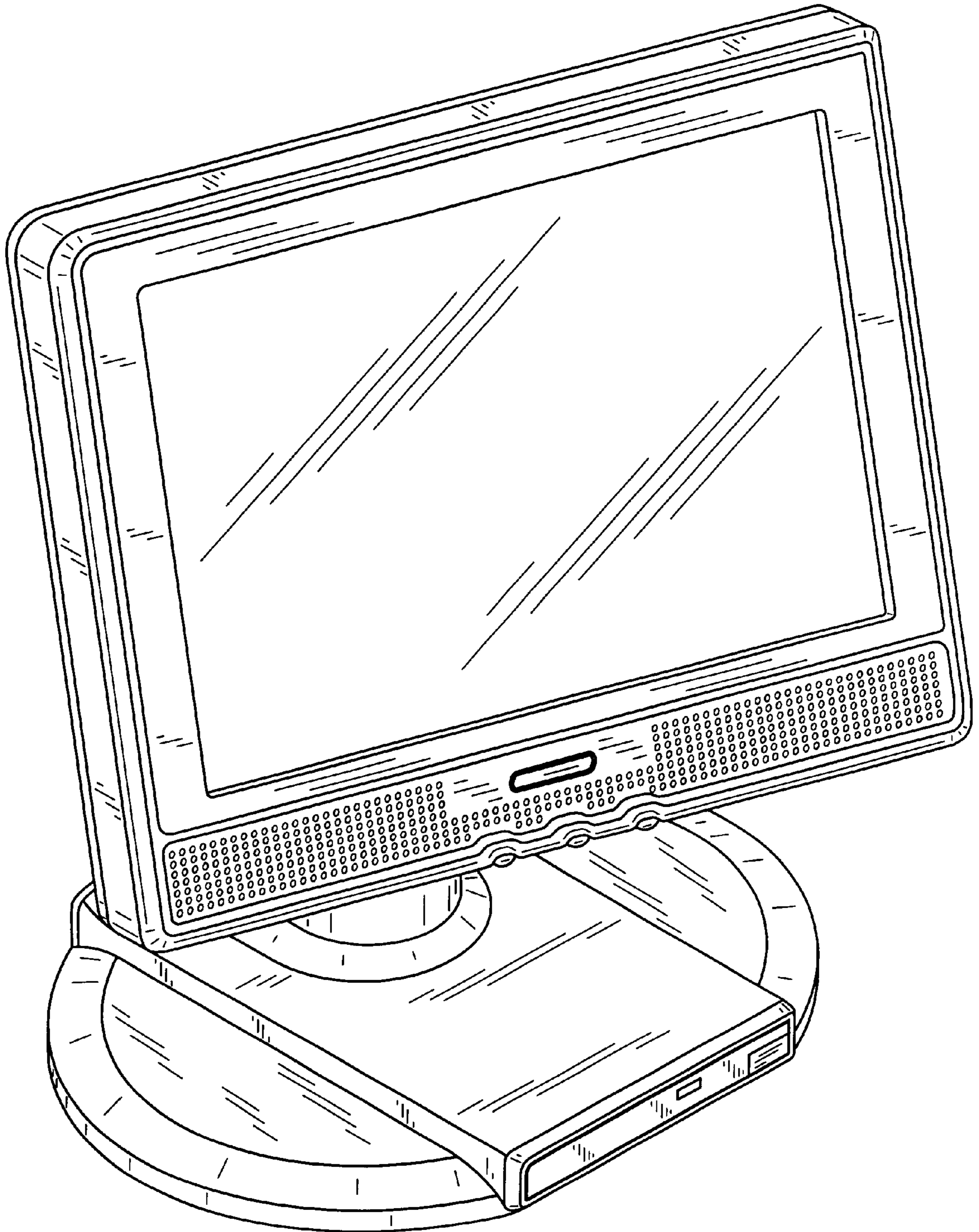


FIG. 2

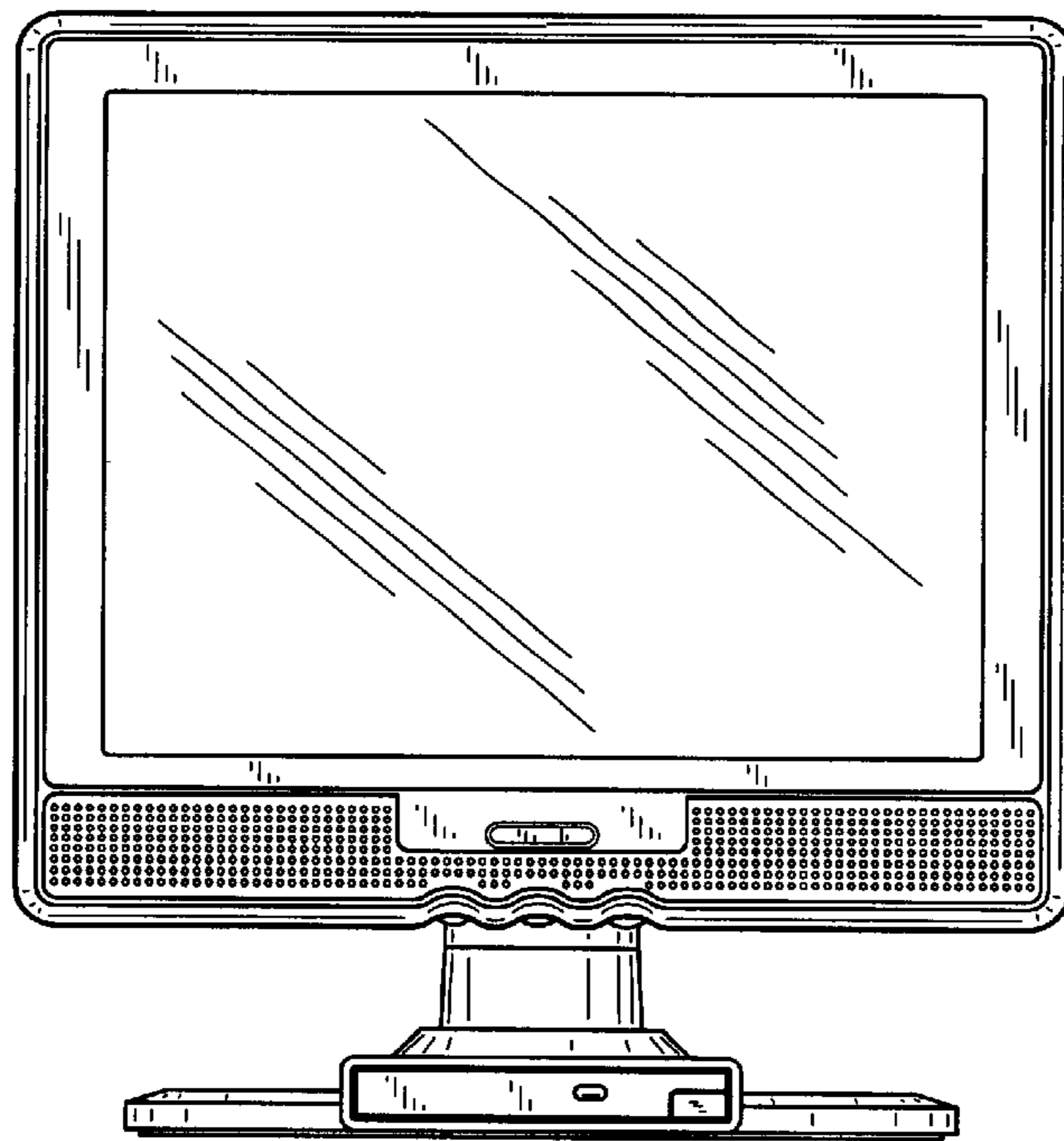


FIG. 3

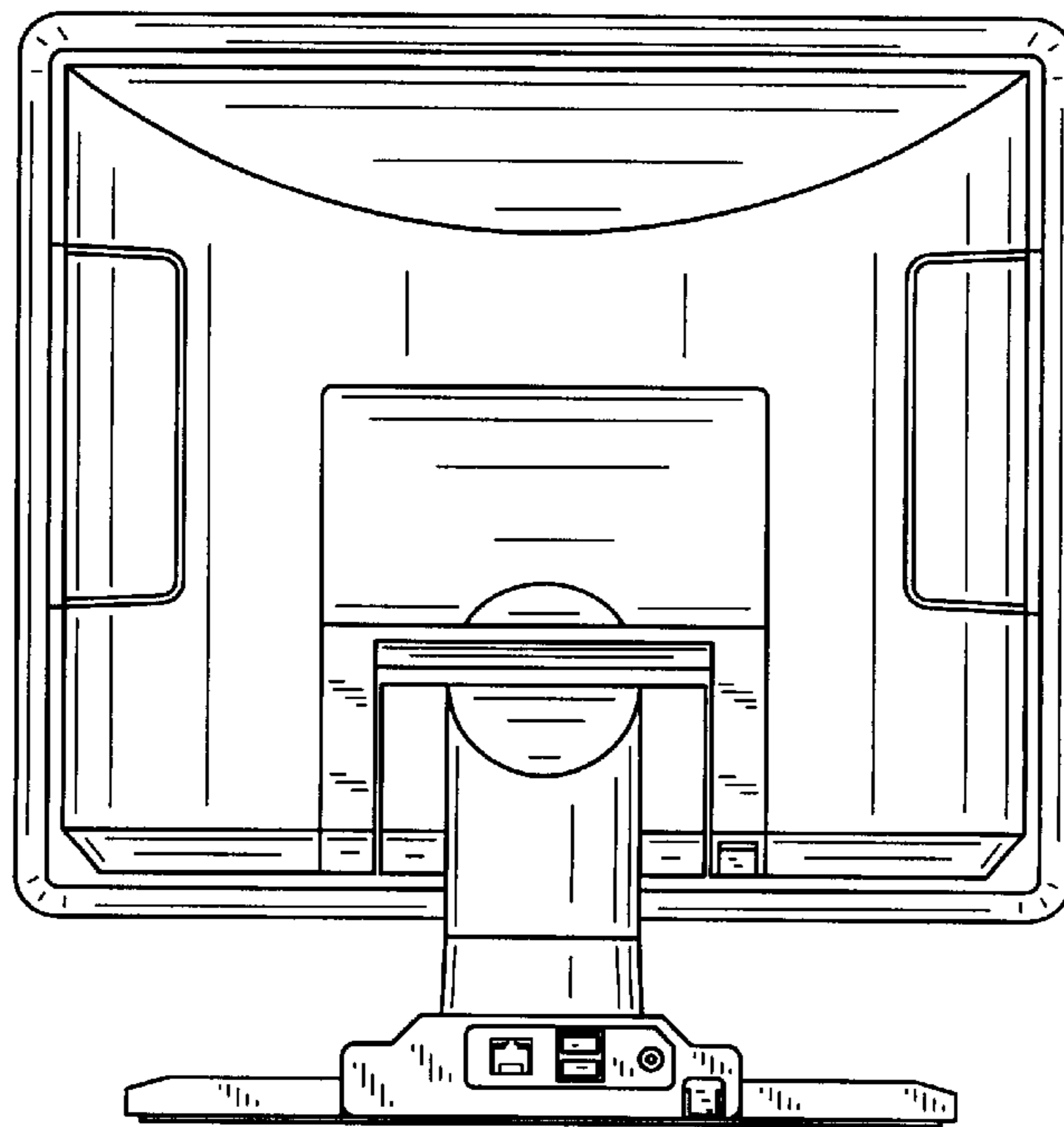


FIG. 4

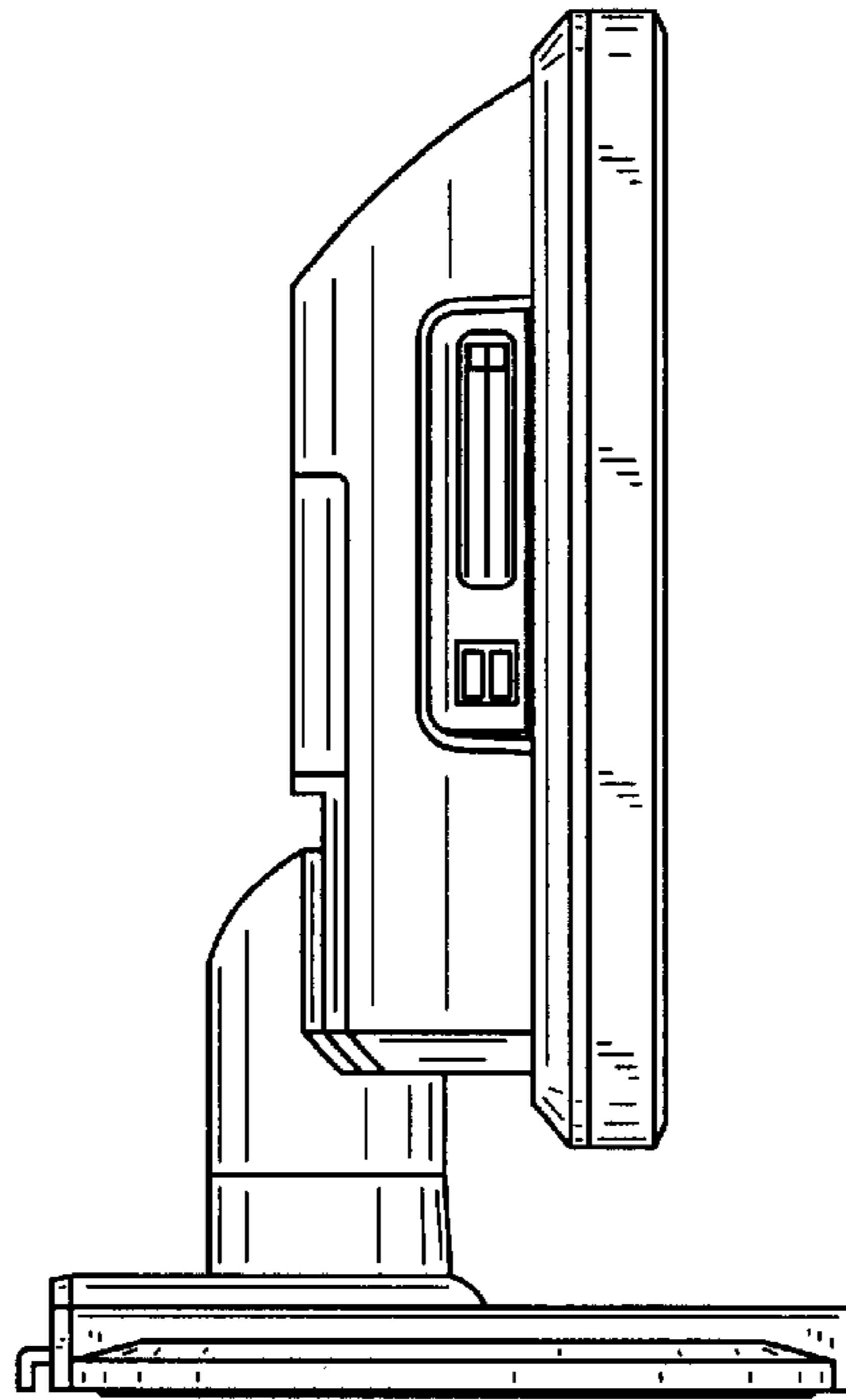


FIG. 5

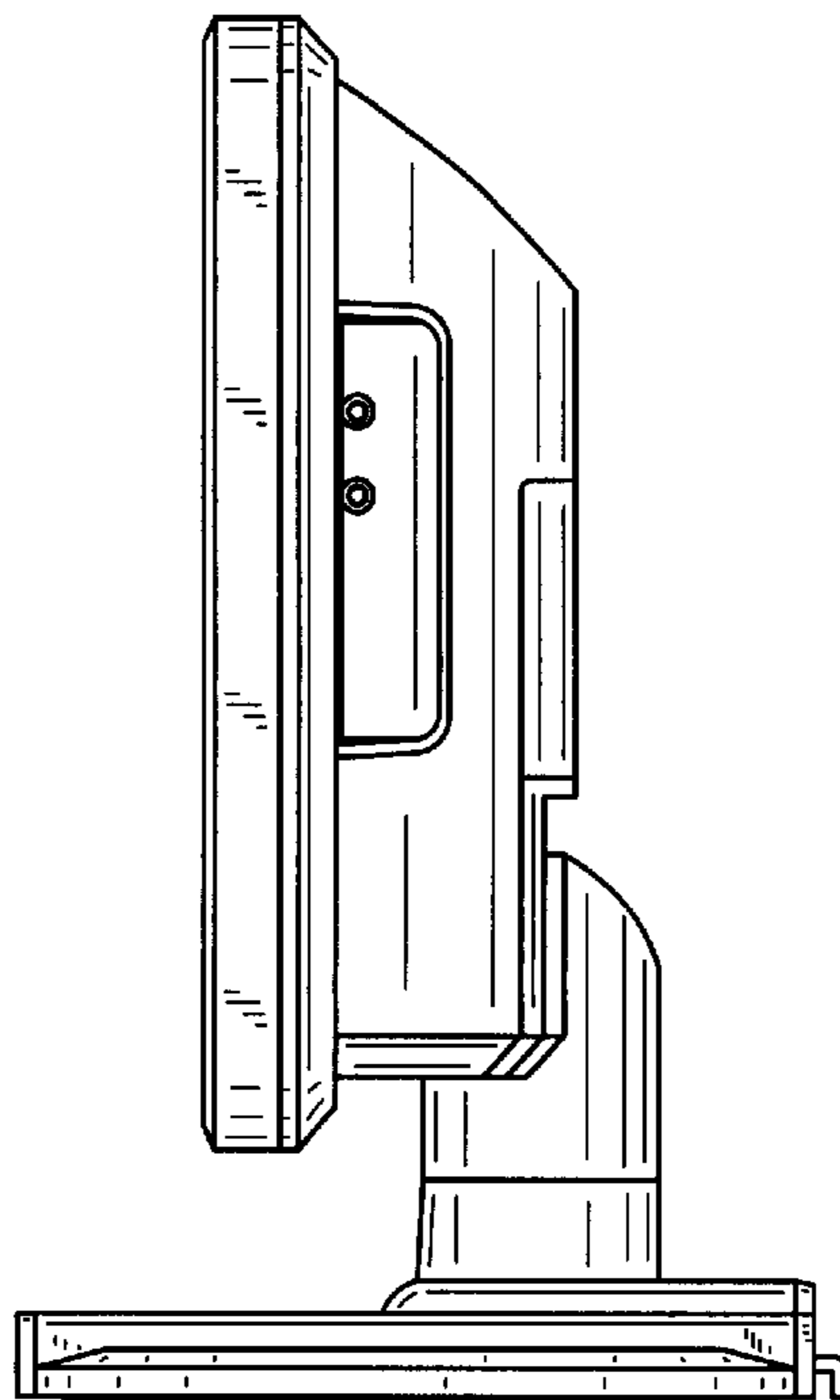


FIG. 6

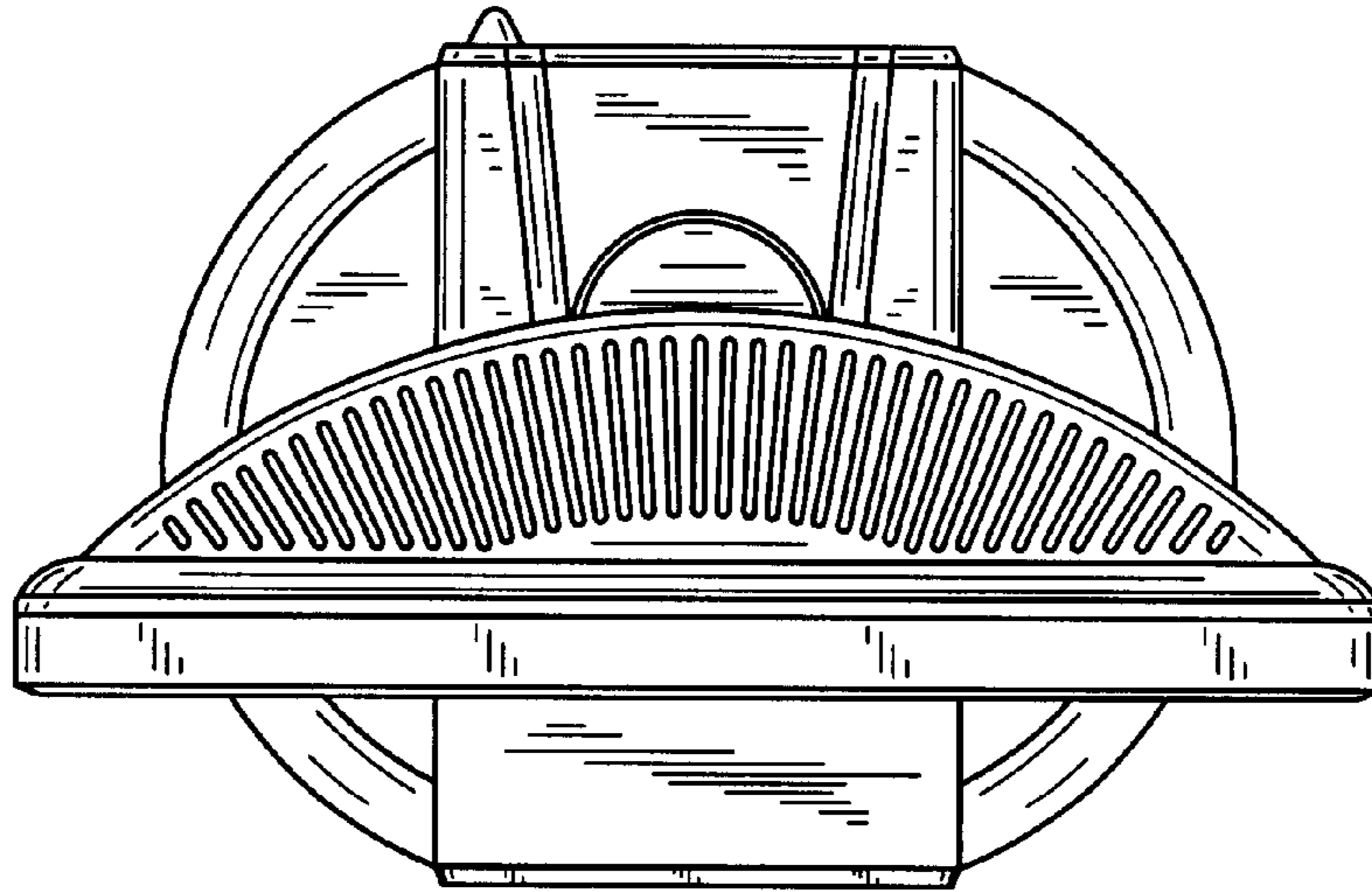


FIG. 7

