



US00D482028S

(12) **United States Design Patent**
Ribeiro et al.

(10) **Patent No.: US D482,028 S**

(45) **Date of Patent: ** Nov. 11, 2003**

(54) **SPEAKER PORT FOR COMMUNICATIONS DEVICES OR SIMILAR ARTICLES**

(75) Inventors: **Claudio Santiago Ribeiro**, Evanston, IL (US); **Christopher Arnholt**, Highland Park, IL (US); **Daniel Berg**, Antioch, IL (US); **Paul Pierce**, Grayslake, IL (US); **Joshua Maruska**, Gurnee, IL (US)

(73) Assignee: **Motorola, Inc.**, Schaumburg, IL (US)

(**) Term: **14 Years**

(21) Appl. No.: **29/155,270**

(22) Filed: **Feb. 5, 2002**

(51) **LOC (7) Cl. 14-03**

(52) **U.S. Cl. D14/249; D14/248**

(58) **Field of Search** D14/137, 217, D14/138, 218, 147-148, 247-248, 144, 221, 341-347; 379/433.01-433.13, 419, 434, 428.01-428.04, 420.01-420.04, 440; D18/2, 7; 455/550-575, 90; D21/517, 331, 333; D13/168

(56) **References Cited**

U.S. PATENT DOCUMENTS

D356,561 S	*	3/1995	Berry	D14/138
D373,124 S	*	8/1996	Behar et al.	D14/148
D377,171 S	*	1/1997	Yokouchi	D14/138
D377,351 S	*	1/1997	Toki et al.	D14/138
D385,874 S	*	11/1997	Eckhardt et al.	D14/138
D406,132 S	*	2/1999	Skrypalle	D14/138
D412,169 S	*	7/1999	Schnell, III et al.	D14/138
D425,056 S	*	5/2000	Edwards et al.	D14/138
D431,819 S	*	10/2000	Nakahara et al.	D14/247

6,135,408 A	*	10/2000	Richter	248/309.4
D436,583 S	*	1/2001	Newby et al.	D14/138
D441,733 S	*	5/2001	Do et al.	D14/138
D442,157 S	*	5/2001	Muenschler et al.	D14/138
D442,569 S	*	5/2001	Hanna et al.	D14/138
D454,851 S	*	3/2002	Kitamura	D14/138
D456,393 S	*	4/2002	Kim et al.	D14/248
6,374,120 B1	*	4/2002	Krauss	455/550
D459,326 S	*	6/2002	Nagai et al.	D14/138
D462,345 S	*	9/2002	Kim et al.	D14/248
D468,280 S	*	1/2003	Kim et al.	D14/138
D468,714 S	*	1/2003	Maruska et al.	D14/138
D469,748 S	*	2/2003	Ribeiro et al.	D14/138
D470,116 S	*	2/2003	Ribeiro et al.	D14/138
2002/0077161 A1	*	6/2002	Eromaki	455/575
2002/0098810 A1	*	7/2002	Murakami	455/90

OTHER PUBLICATIONS

Hauge Database Search Page, document DM/059367, dated Mar. 13, 2002, cite visited Jan. 22, 2003.*

* cited by examiner

Primary Examiner—Jeffrey Asch

(74) *Attorney, Agent, or Firm*—Randall S. Vaas

(57) **CLAIM**

The ornamental design for a speaker port for communications devices or similar articles, substantially as shown.

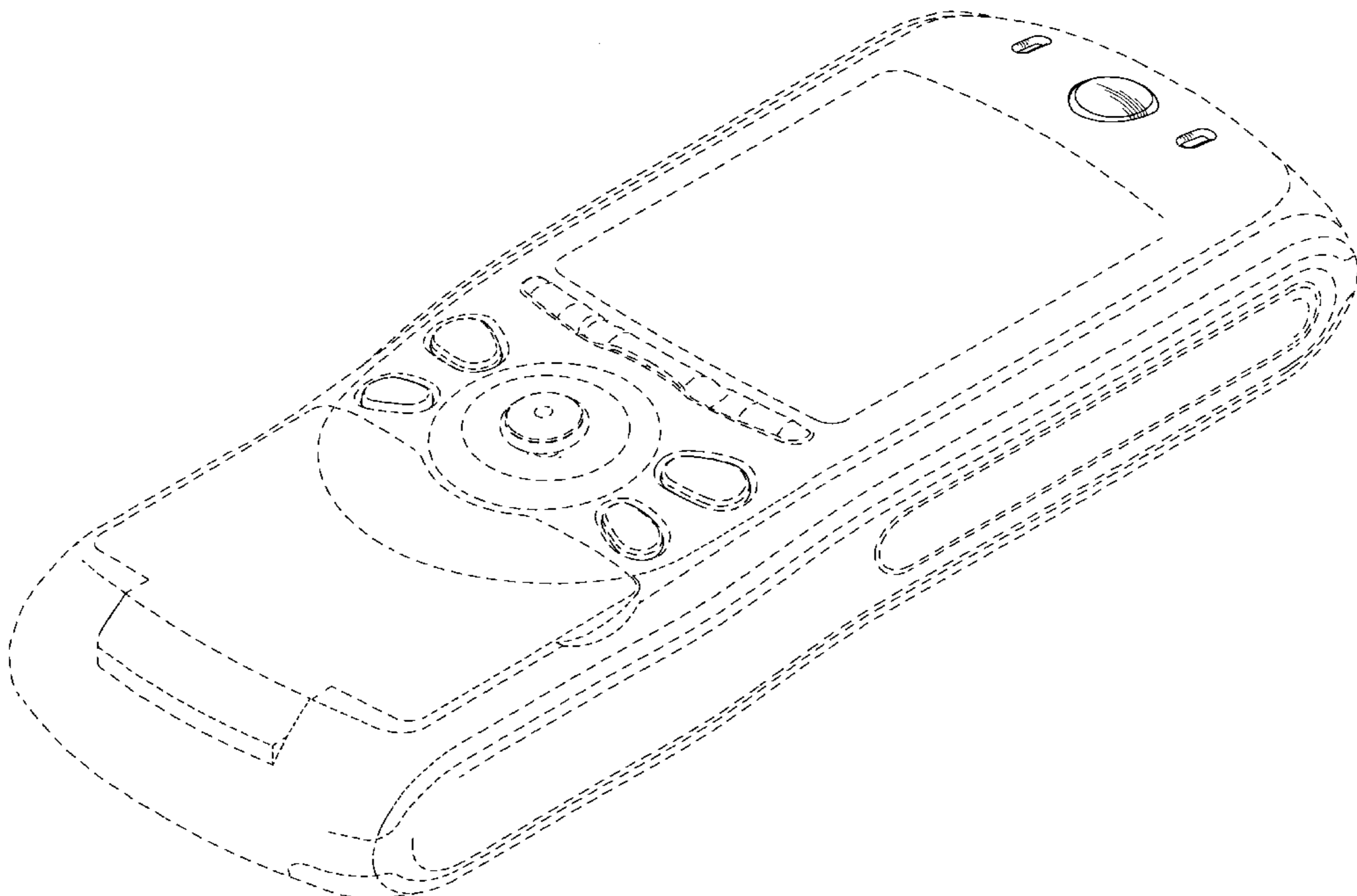
DESCRIPTION

FIG. 1 is a front, bottom and side perspective view of a speaker port for communications devices or similar articles; and,

FIG. 2 is a front elevation view thereof.

The broken line portions of the drawings form no part of the claimed design.

1 Claim, 2 Drawing Sheets



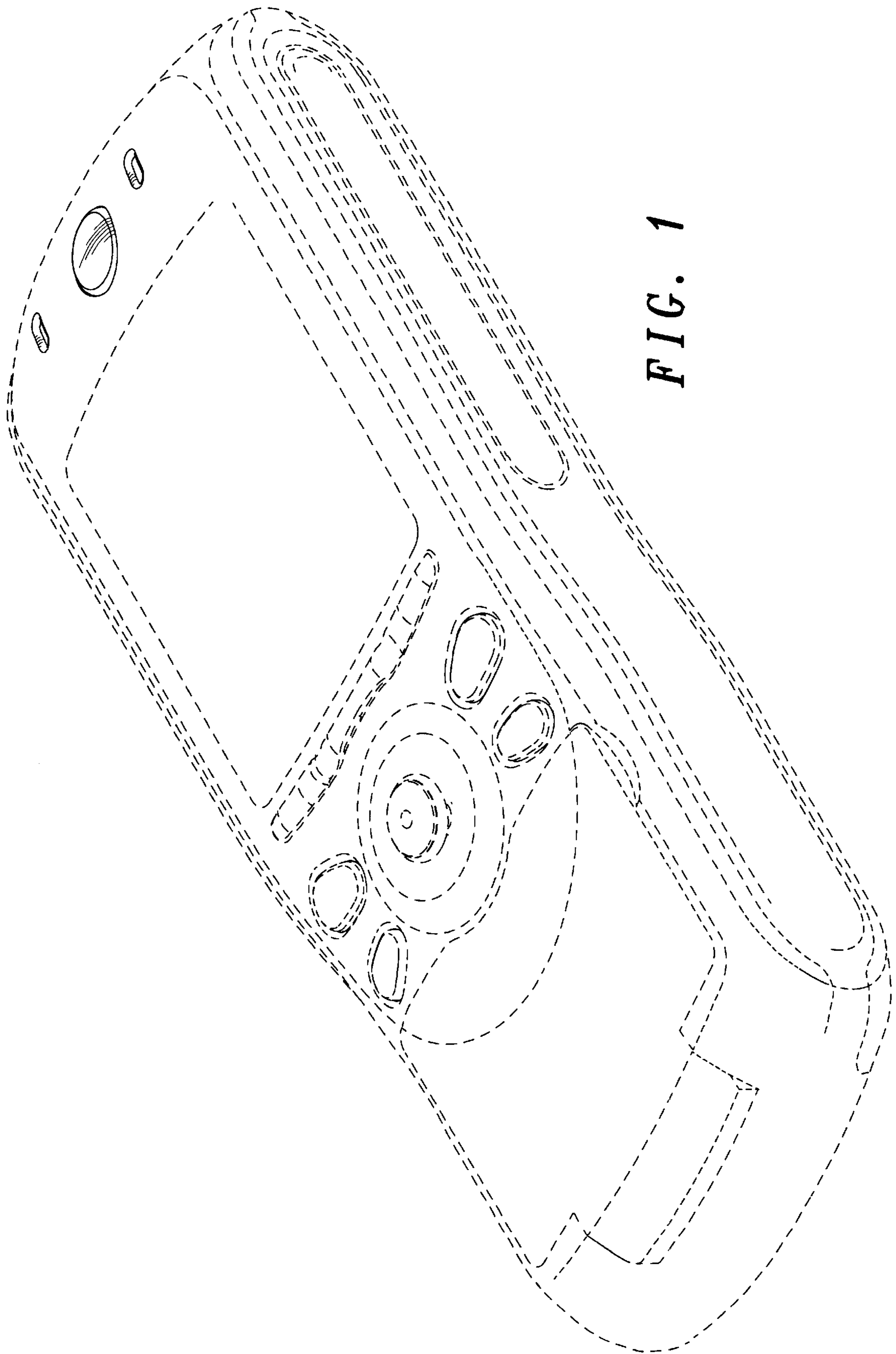


FIG. 1

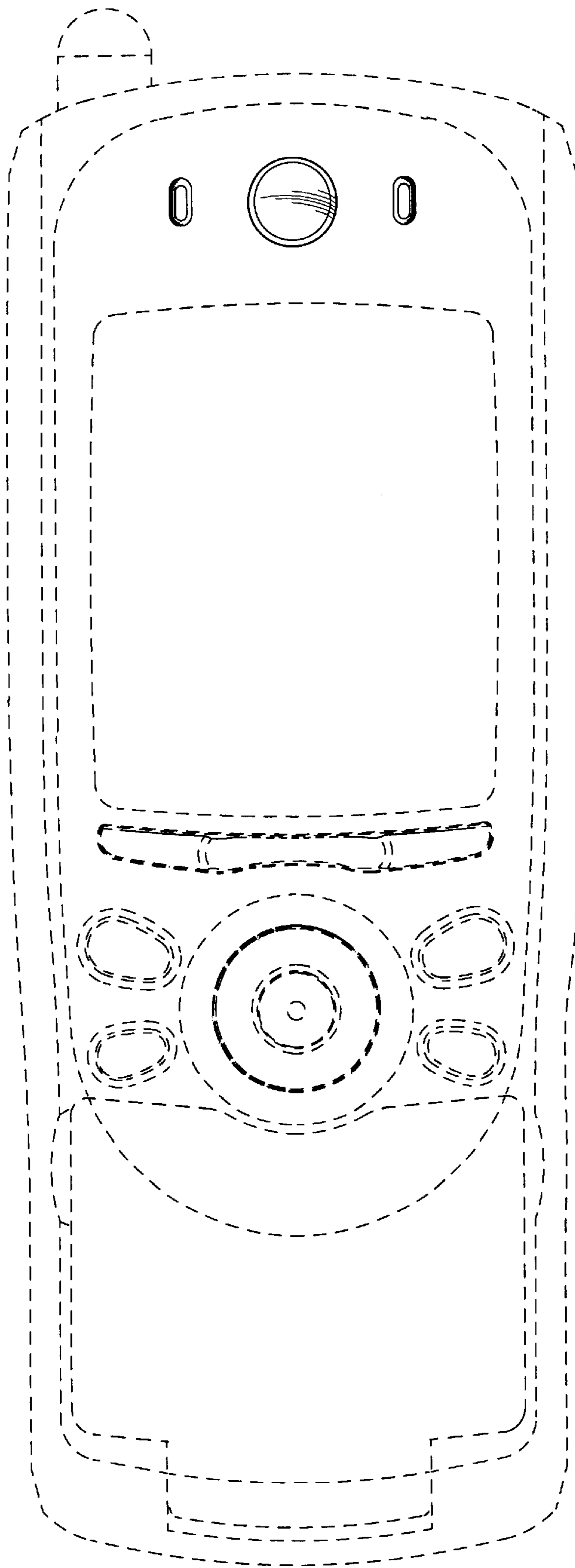


FIG. 2