



US00D482025S

(12) **United States Design Patent**  
**Laity et al.**

(10) **Patent No.:** **US D482,025 S**

(45) **Date of Patent:** **\*\* Nov. 11, 2003**

- (54) **COMMUNICATIONS MODULE**
- (75) Inventors: **Ian A. Laity**, Simi Valley, CA (US);  
**Michael R. Smither**, Castaic, CA (US)
- (73) Assignee: **Intel Corporation**, Santa Clara, CA (US)
- (\*\*) Term: **14 Years**
- (21) Appl. No.: **29/169,200**
- (22) Filed: **Oct. 15, 2002**

- D432,540 S \* 10/2000 Laity et al. .... D14/436
- D452,495 S \* 12/2001 Murnaghan et al. .... D14/242
- D452,496 S \* 12/2001 Murnaghan et al. .... D14/242
- D452,863 S 1/2002 Madsen et al.
- D458,935 S \* 6/2002 Hiroki ..... D14/436

\* cited by examiner

*Primary Examiner*—Kay H. Chin

(74) *Attorney, Agent, or Firm*—Blakely, Sokoloff, Taylor & Zafman LLP

(57) **CLAIM**

The ornamental design for a communications module, as shown and described.

**Related U.S. Application Data**

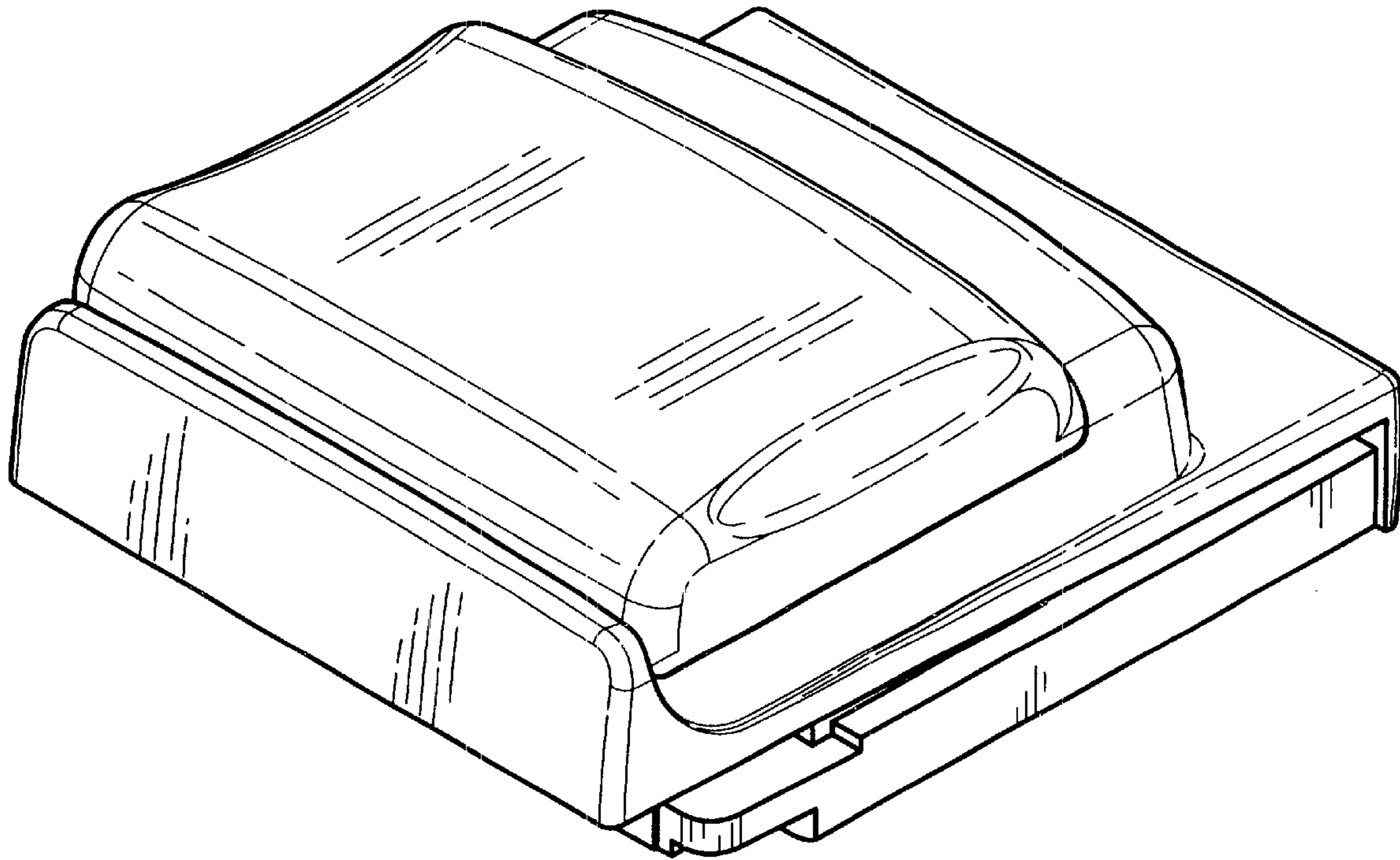
- (60) Division of application No. 29/128,484, filed on Aug. 25, 2000, now Pat. No. Des. 469,776, which is a continuation-in-part of application No. 29/085,265, filed on Mar. 19, 1998, now Pat. No. Des. 432,540.
- (51) **LOC (7) Cl.** ..... **14-03**
- (52) **U.S. Cl.** ..... **D14/242; D14/436**
- (58) **Field of Search** ..... D14/242, 358, D14/436, 432; D13/146, 147, 184, 218; 379/419, 420.01, 440, 443, 446; 455/550.1, 575.1; 361/600, 622, 724-728; 375/220-223

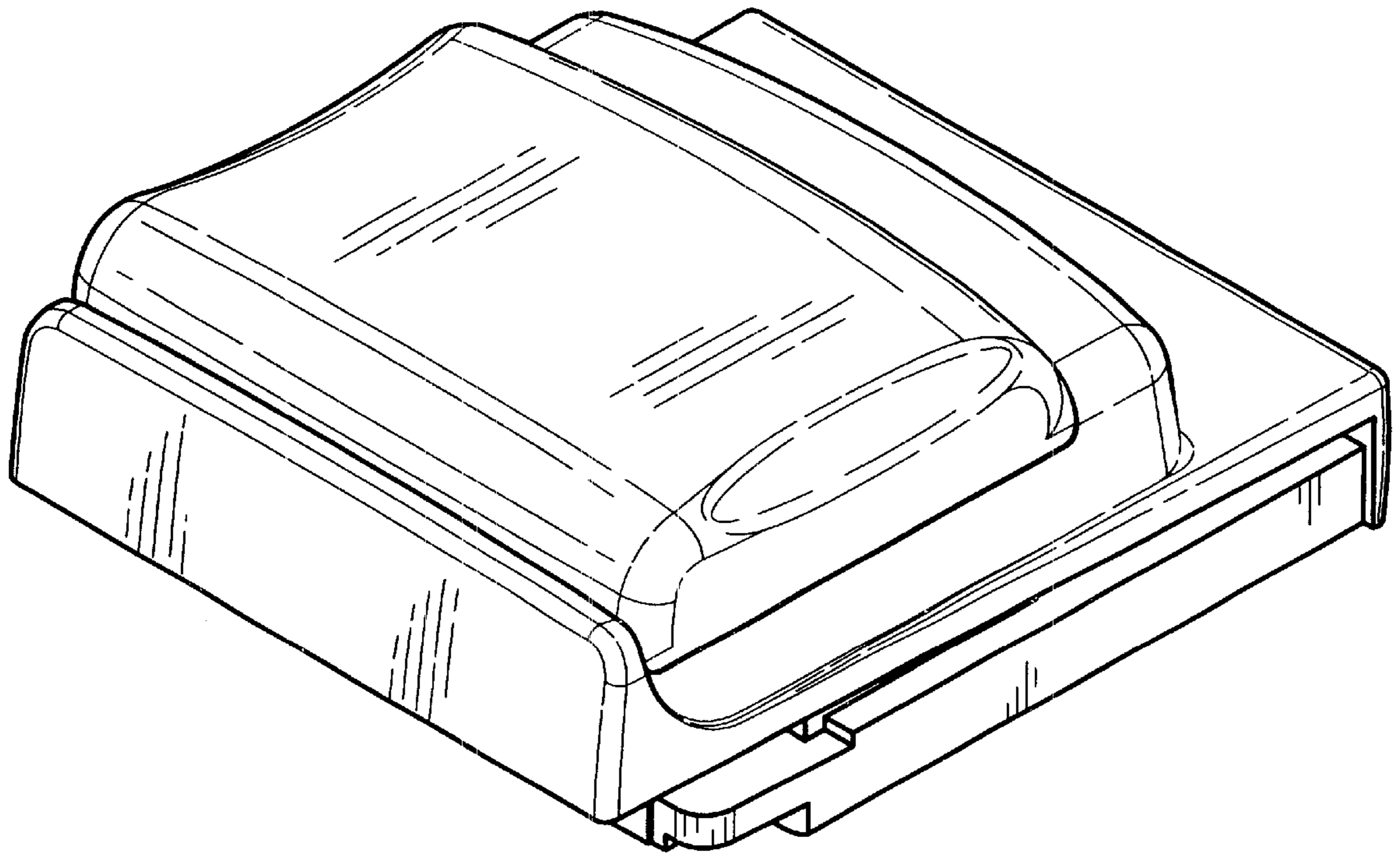
**DESCRIPTION**

FIG. 1 is a top, front, left side perspective view of the communications module showing my new design;  
 FIG. 2 is a top, rear, left side perspective view thereof;  
 FIG. 3 is bottom, front, right side perspective view thereof;  
 FIG. 4 is bottom, rear, right side perspective view thereof;  
 FIG. 5 is a top plan view of the communications module thereof;  
 FIG. 6 is a front elevation view of the communications module thereof;  
 FIG. 7 is a rear elevation view of the communications module thereof;  
 FIG. 8 is a right side elevation view thereof; and,  
 FIG. 9 is a left side elevation view thereof.

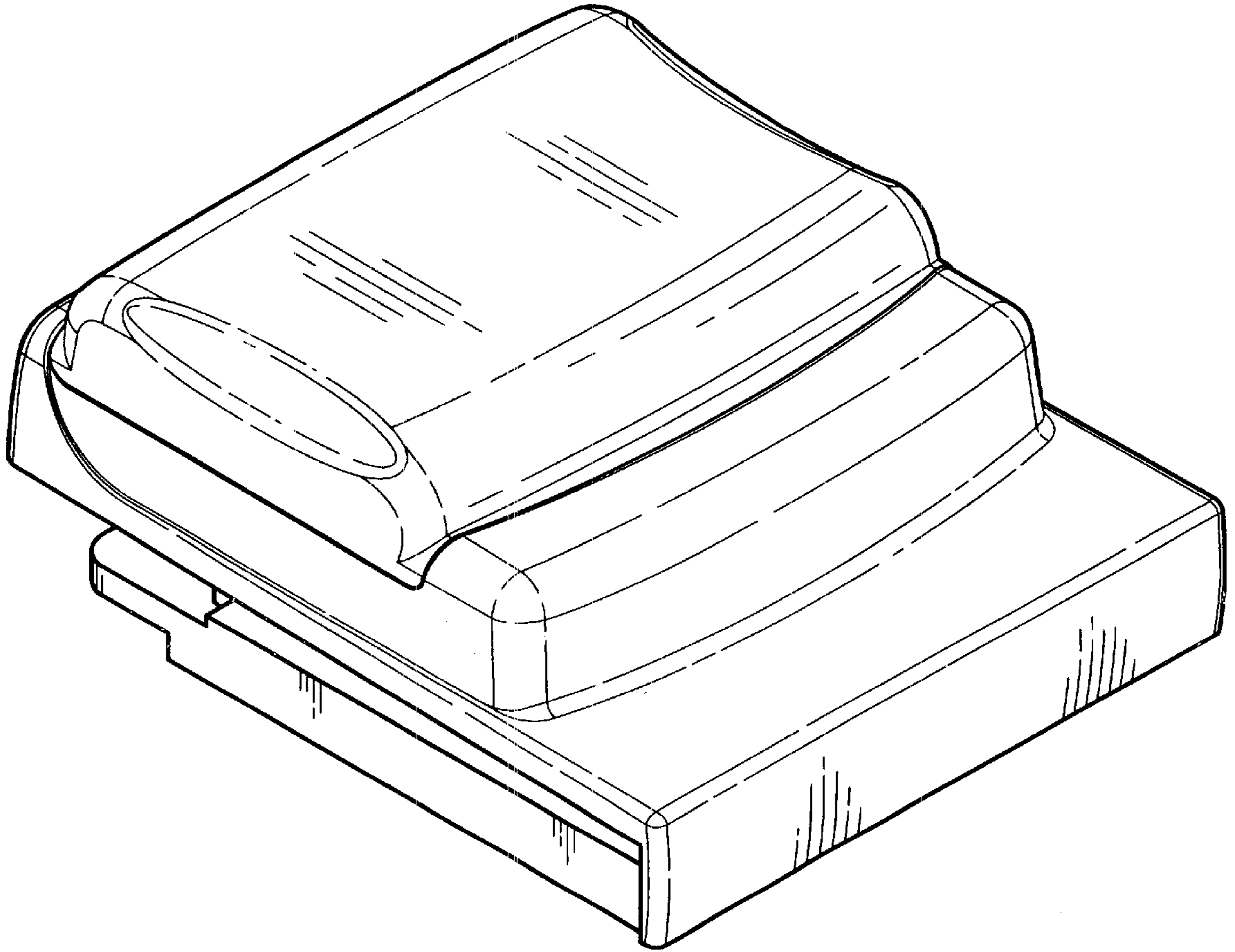
- (56) **References Cited**
- U.S. PATENT DOCUMENTS**
- D366,463 S 1/1996 Ive et al.
- D370,904 S \* 6/1996 Nakata et al. .... D14/436
- D415,479 S 10/1999 Yang et al.

**1 Claim, 9 Drawing Sheets**

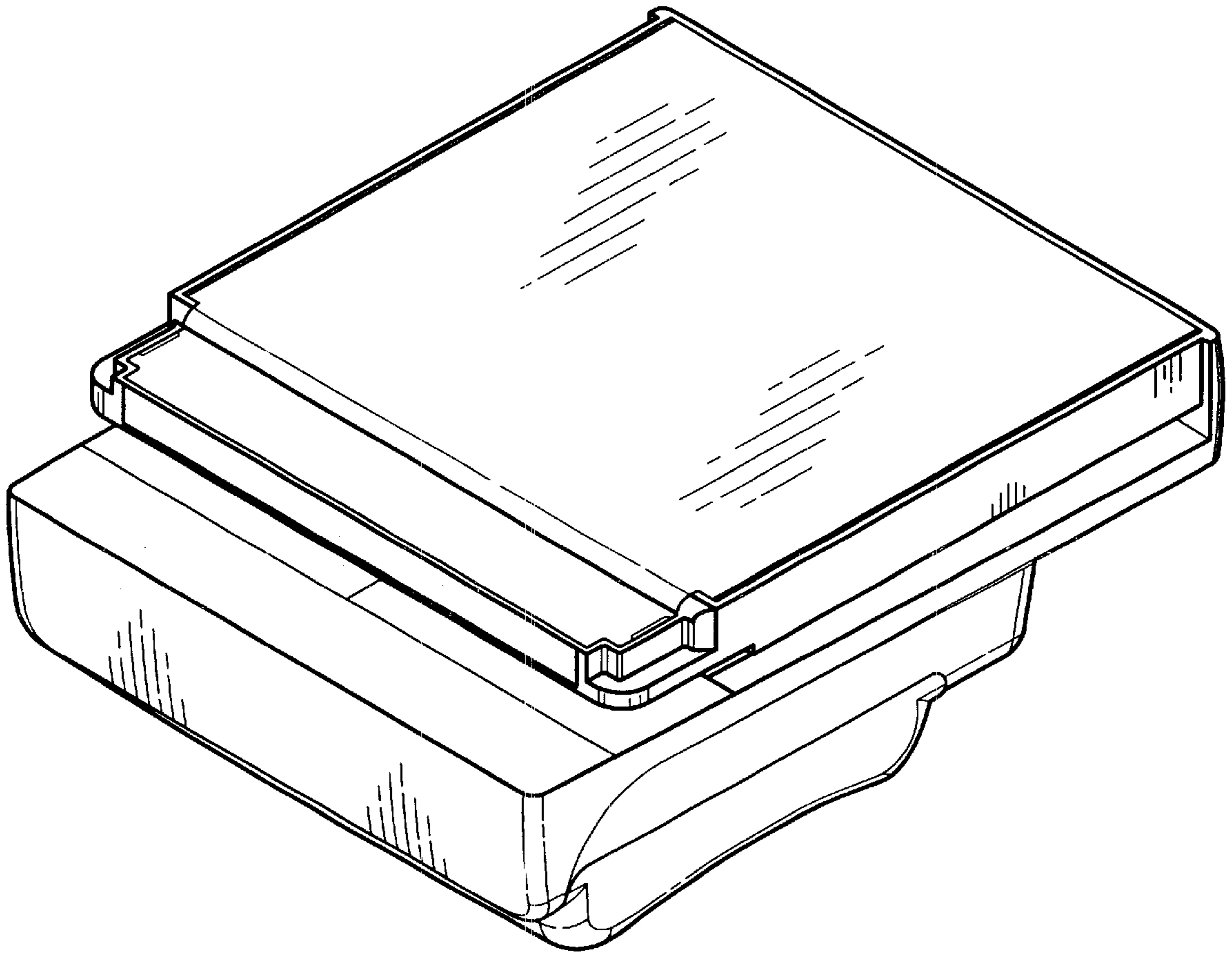




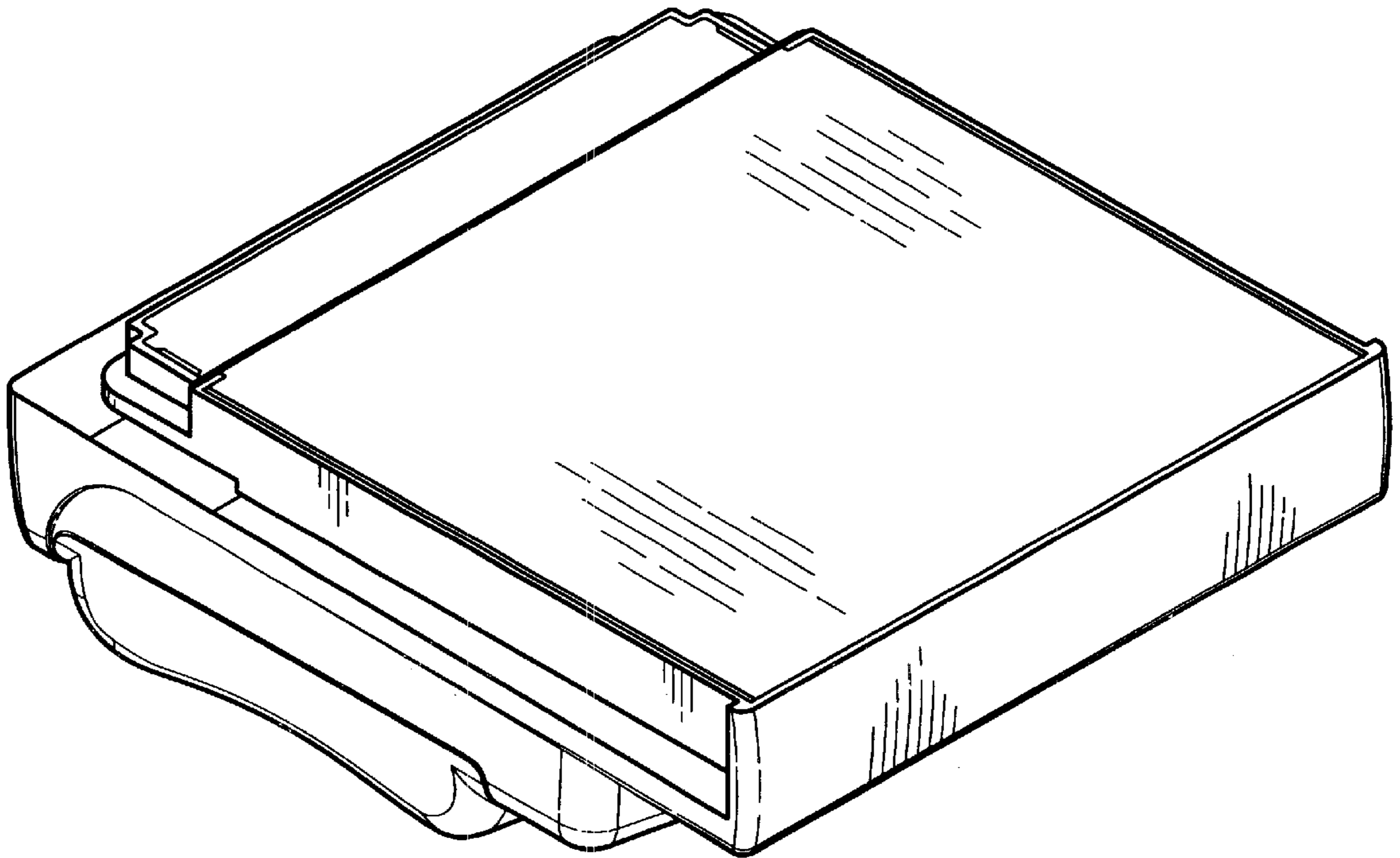
**FIG. 1**



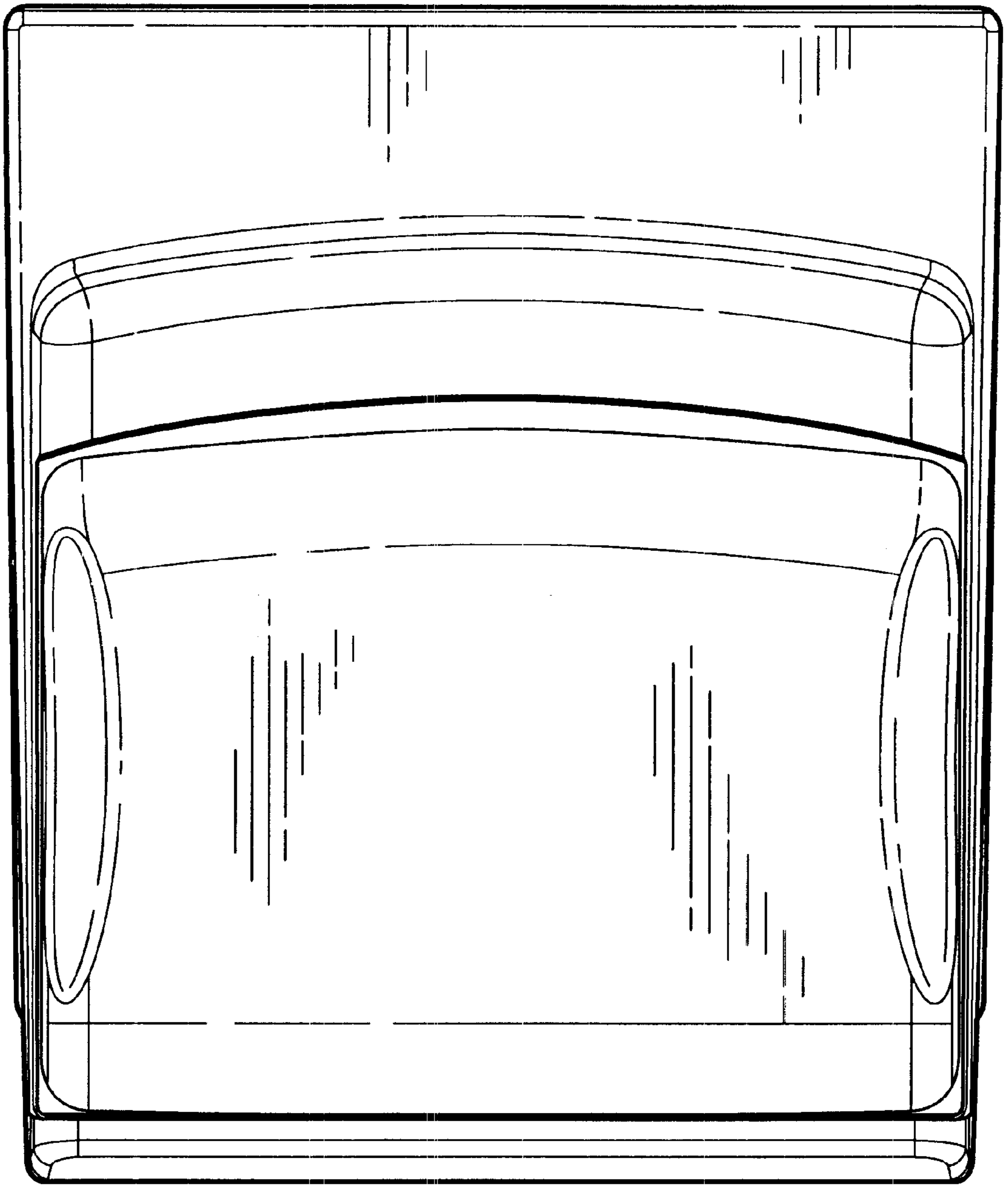
**FIG. 2**



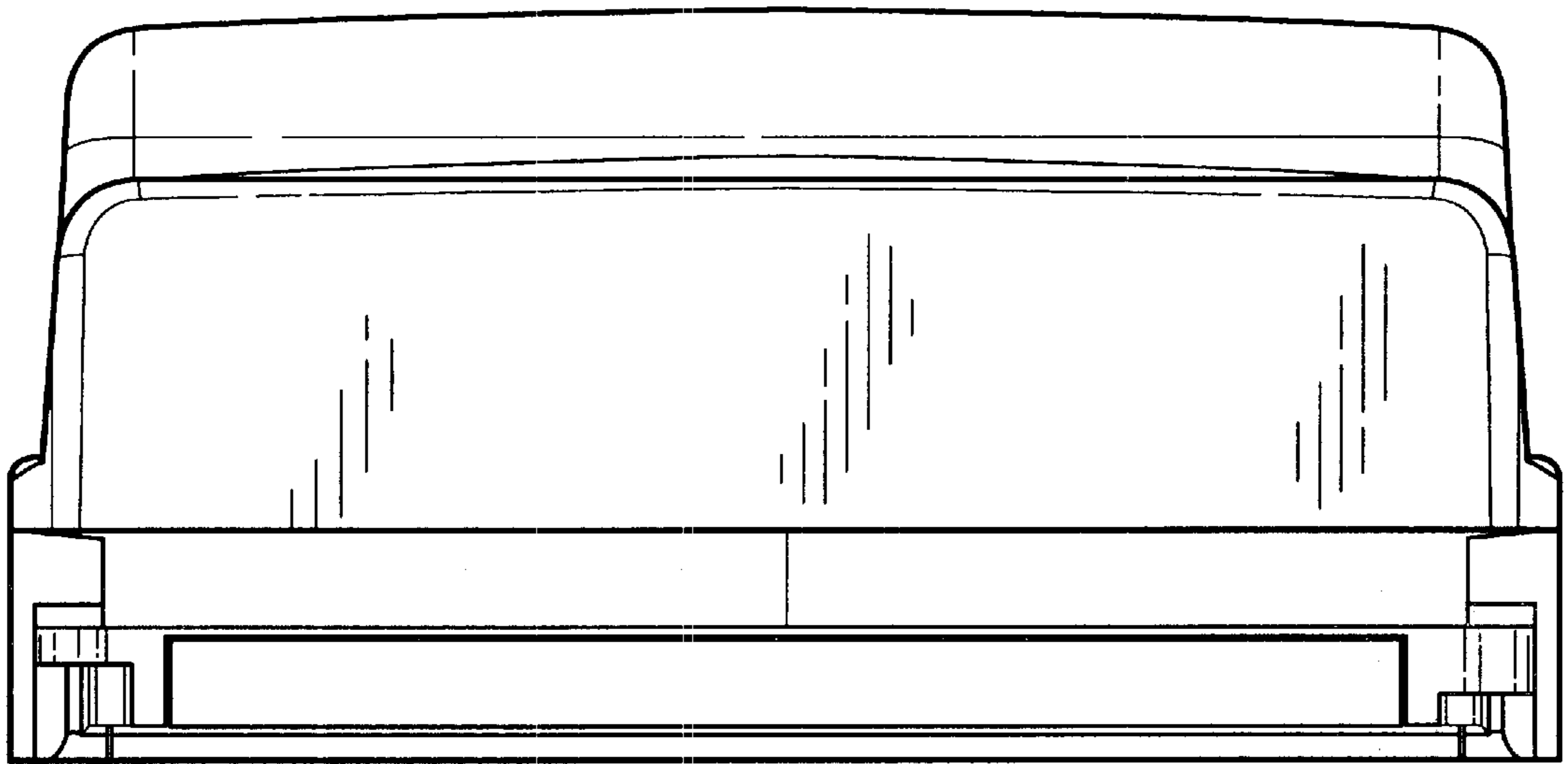
**FIG. 3**



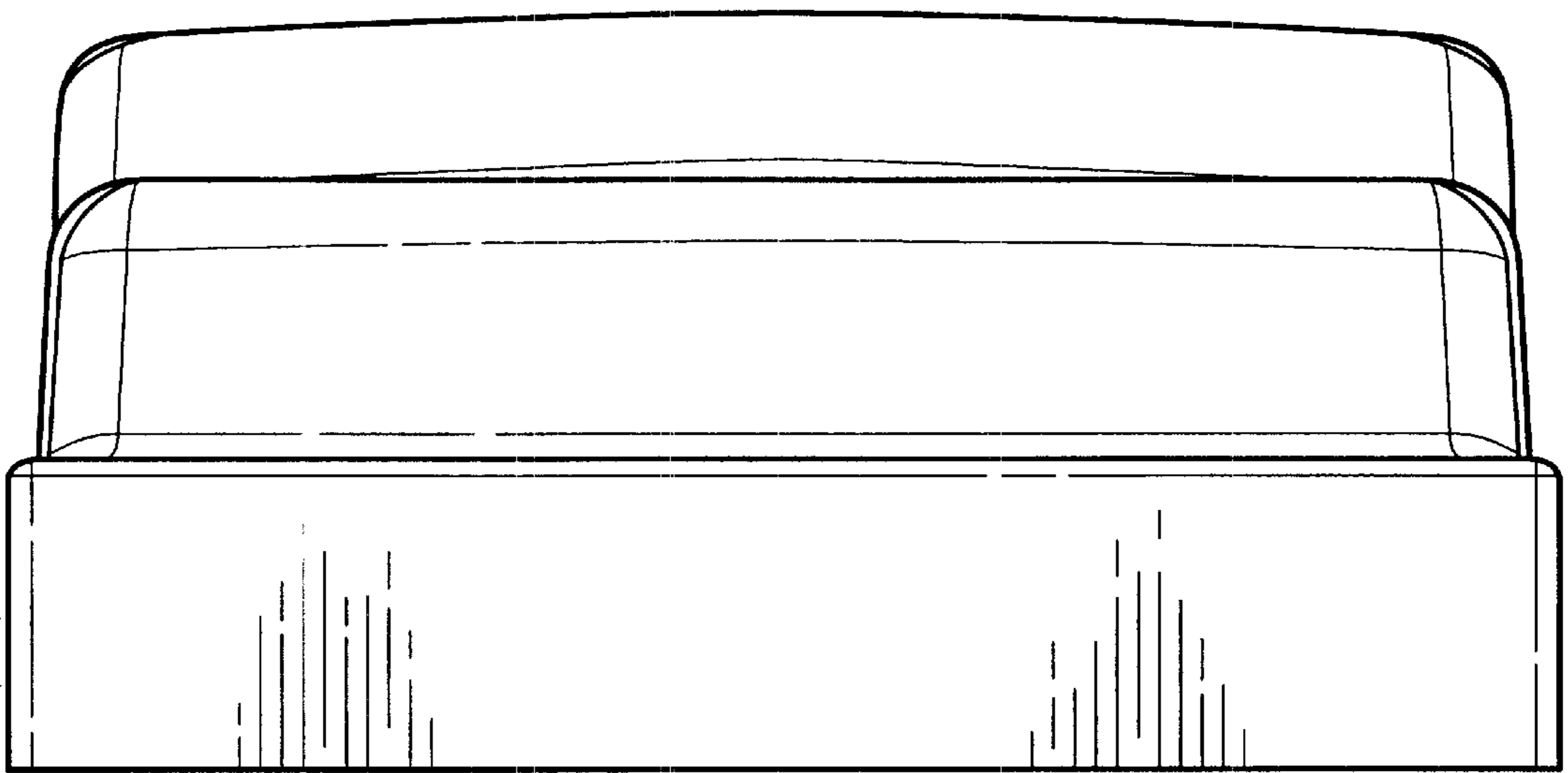
**FIG. 4**



**FIG. 5**

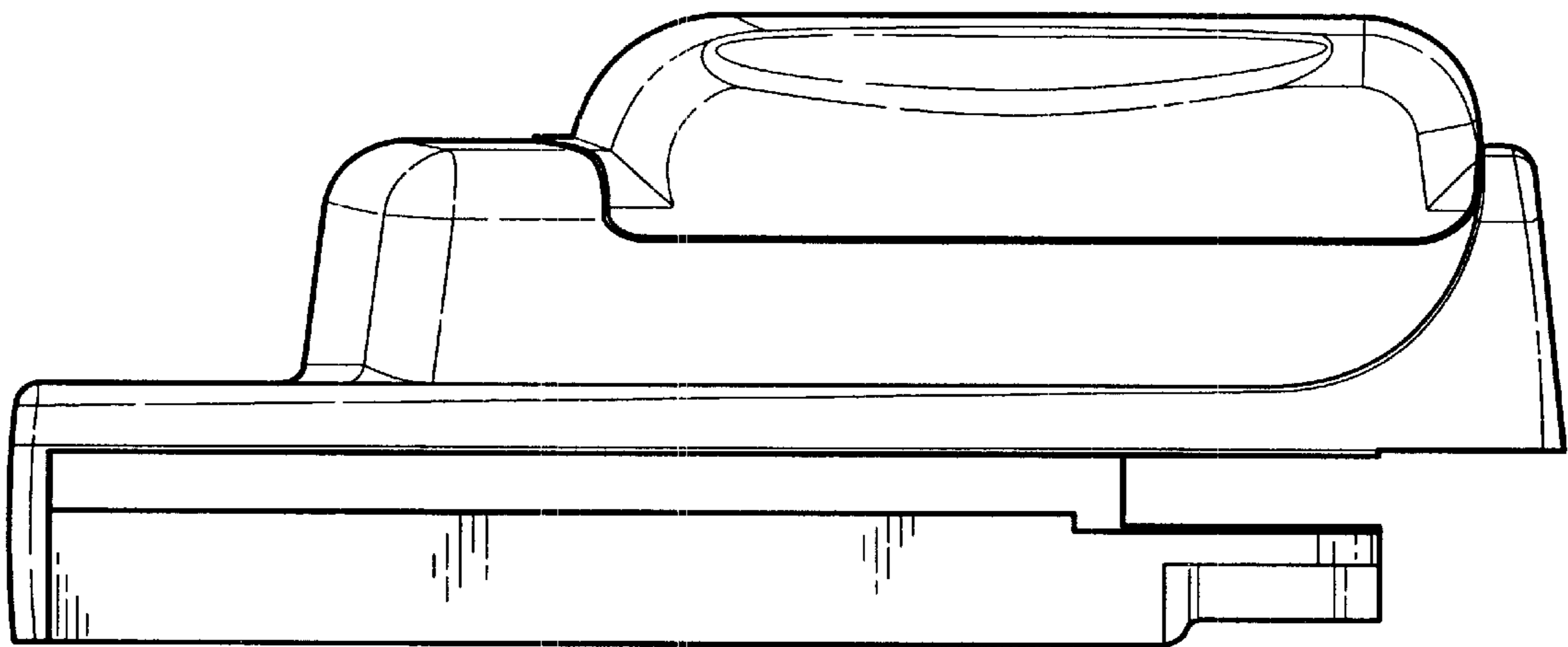


**FIG. 6**

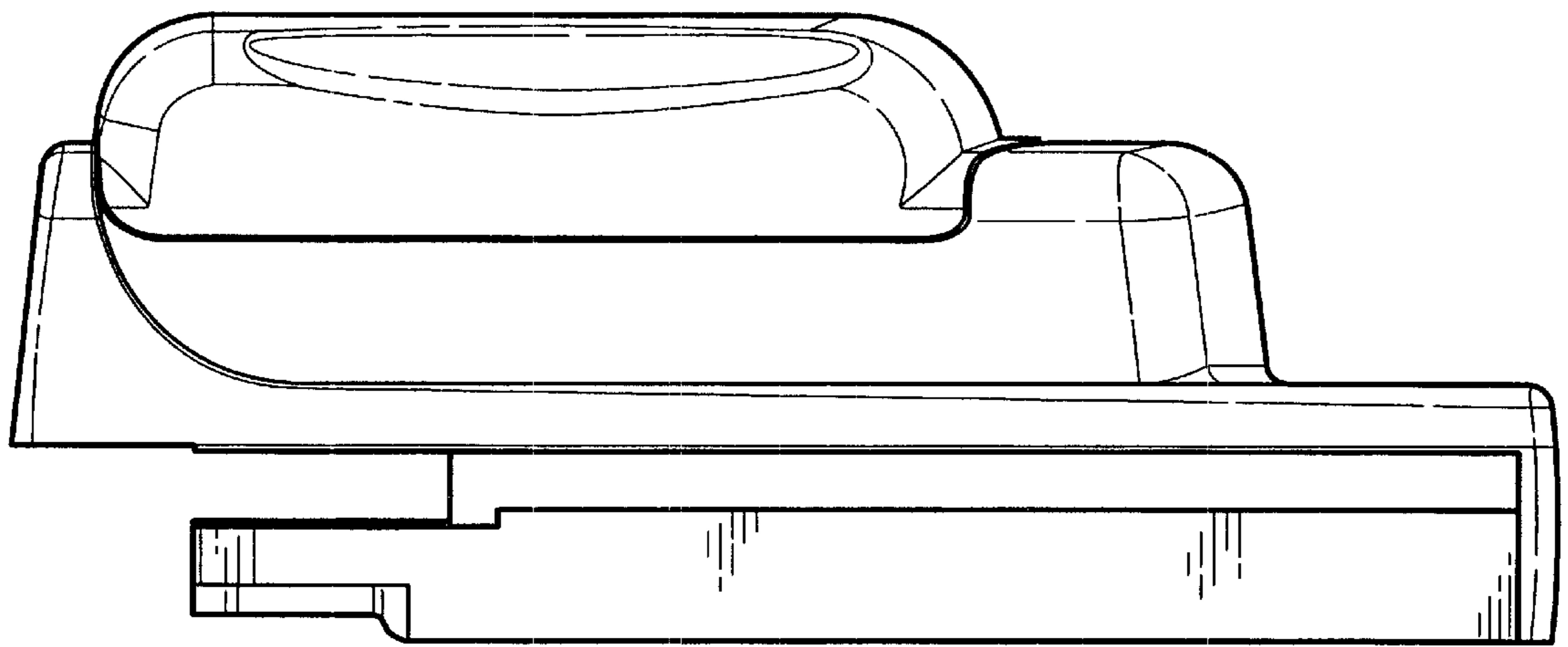


**FIG. 7**





**FIG. 8**



**FIG. 9**