



US00D482023S

(12) **United States Design Patent**
Quilling, II et al.

(10) **Patent No.:** **US D482,023 S**

(45) **Date of Patent:** **** Nov. 11, 2003**

(54) **CURVED FACE DUAL COMPARTMENT
AUTO STEREO MOUNTING DEVICE WITH
SIDE BRACKETS**

(75) Inventors: **R. Spencer Quilling, II**, Glenwood, FL
(US); **Jacqueline S. Upson**, Daytona
Beach, FL (US)

(73) Assignee: **Metra Electronics Corporation**, Holly
Hill, FL (US)

(**) Term: **14 Years**

(21) Appl. No.: **29/167,866**

(22) Filed: **Sep. 24, 2002**

(51) **LOC (7) Cl.** **14-01**

(52) **U.S. Cl.** **D14/224**

(58) **Field of Search** D14/217, 204,
D14/224, 229, 258; D12/223; 248/27.1,
27.3, 558, 221.3, 220.2, 221.4; 403/4; 455/345;
361/685

(56) **References Cited**

U.S. PATENT DOCUMENTS

D107,654 S	*	12/1937	Marholz	D14/258
D294,258 S	*	2/1988	Sprague	D14/258
5,106,039 A		4/1992	Gross		
5,467,947 A		11/1995	Quilling, II		
5,485,348 A	*	1/1996	Oros	361/685
D401,591 S		11/1998	Jones, Jr.		
D418,838 S		1/2000	Jones, Jr.		

OTHER PUBLICATIONS

Metra 2001 Autosound Installation Products Catalog, pp.
cover, 1-62, published May 2001.

* cited by examiner

Primary Examiner—Paula A. Mortimer
(74) *Attorney, Agent, or Firm*—Fitzpatrick, Cella, Harper &
Scinto

(57) **CLAIM**

We claim the ornamental design for a curved face dual
compartment auto stereo mounting device with side brack-
ets, as shown and described.

DESCRIPTION

FIG. 1 is a right front perspective view of a curved face dual
compartment auto stereo mounting device with side brackets
showing a preferred embodiment of our design, with envi-
ronmental structure for an interface with a vehicle dashboard
mounting structure shown in dotted line, and not forming
part of the claimed design;

FIG. 2 is a front elevation view of FIG. 1;

FIG. 3 is a top plan view of FIG.1;

FIG. 4A is a right side elevation view of FIG. 1, the left side
being a mirror image thereof;

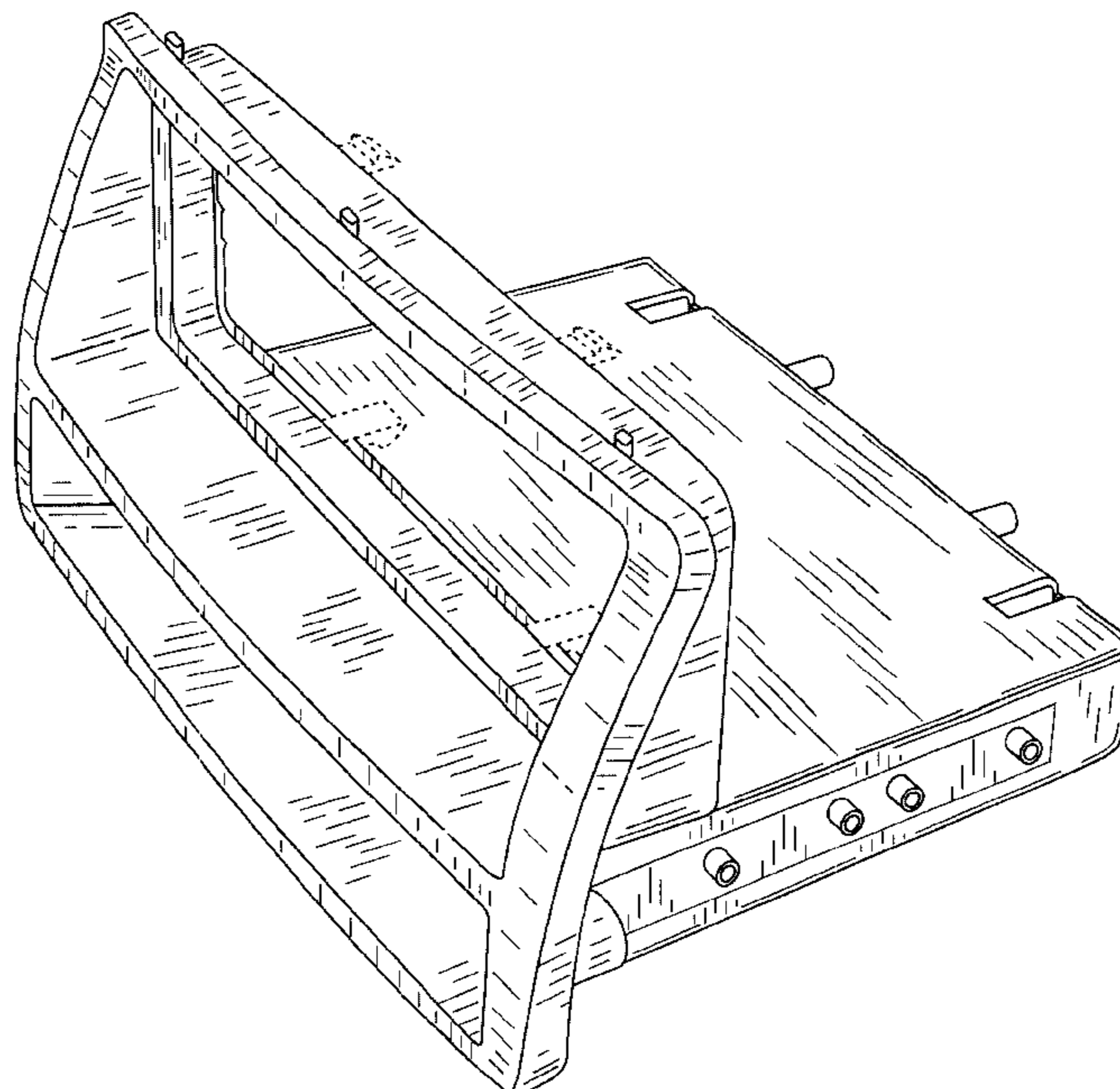
FIG. 4B is a right side elevation in cross-section, along line
4B-4B of FIG. 2, to better illustrate certain features of the
disclosed design;

FIG. 5 is a bottom plan view of FIG. 1; and,

FIG. 6 is a rear elevation view of FIG. 1.

The appearance of our design for a curved face dual com-
partment auto stereo mounting device with side brackets,
characterized by a compound curved front surface that is
intersected by a planar opening and flange for accepting a
standard autosound head unit, such as a DIN radio with a
CD-Rom changer or the like, and a narrow horizontal pocket
adapted to accept the insertion of a CD-Rom jewel case from
the front. The first and second embodiments illustrate appli-
cation of the new design to two different vehicle dashboard
mounting structure environments.

1 Claim, 7 Drawing Sheets



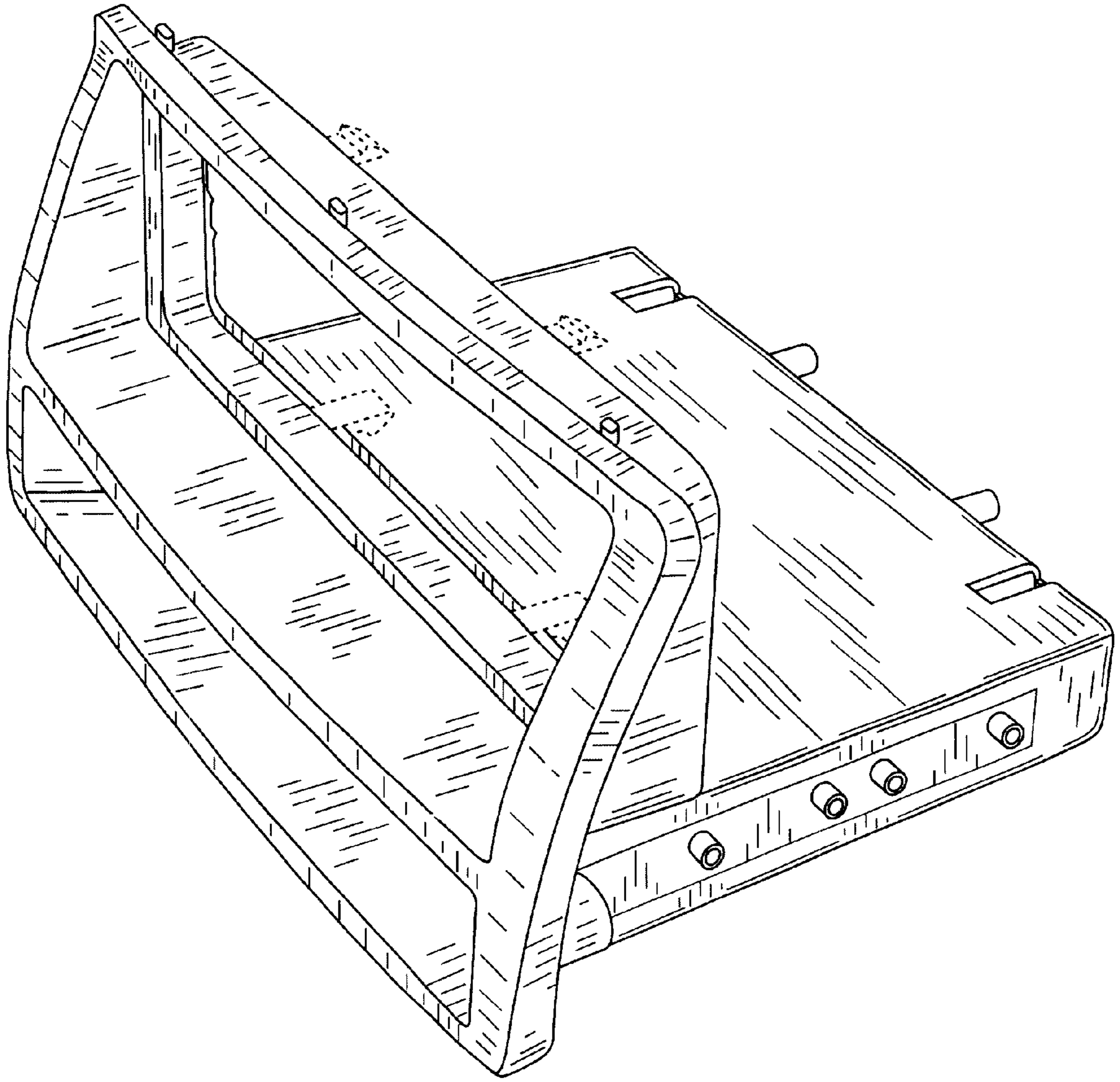


FIG. 1

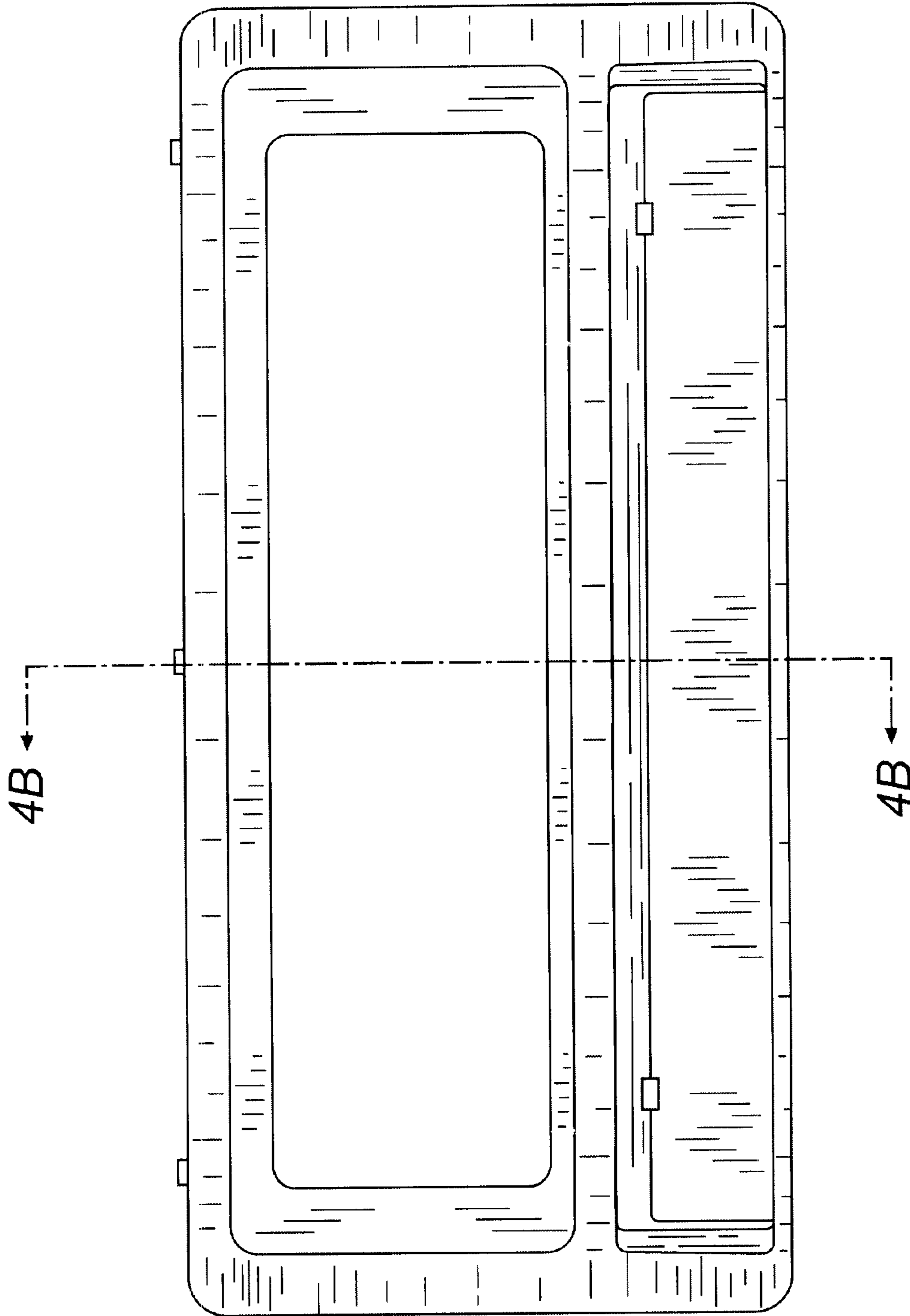


FIG. 2

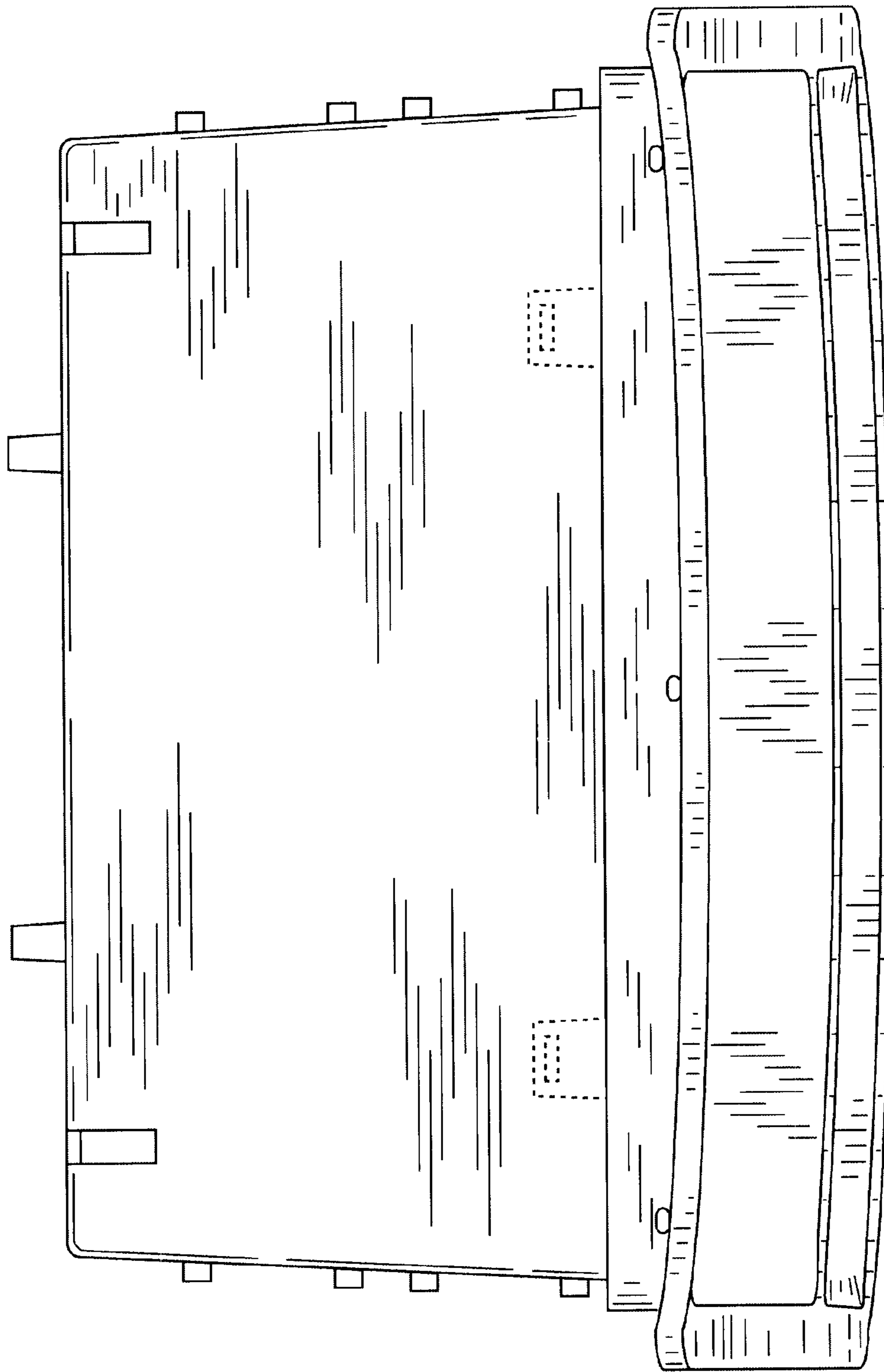


FIG. 3

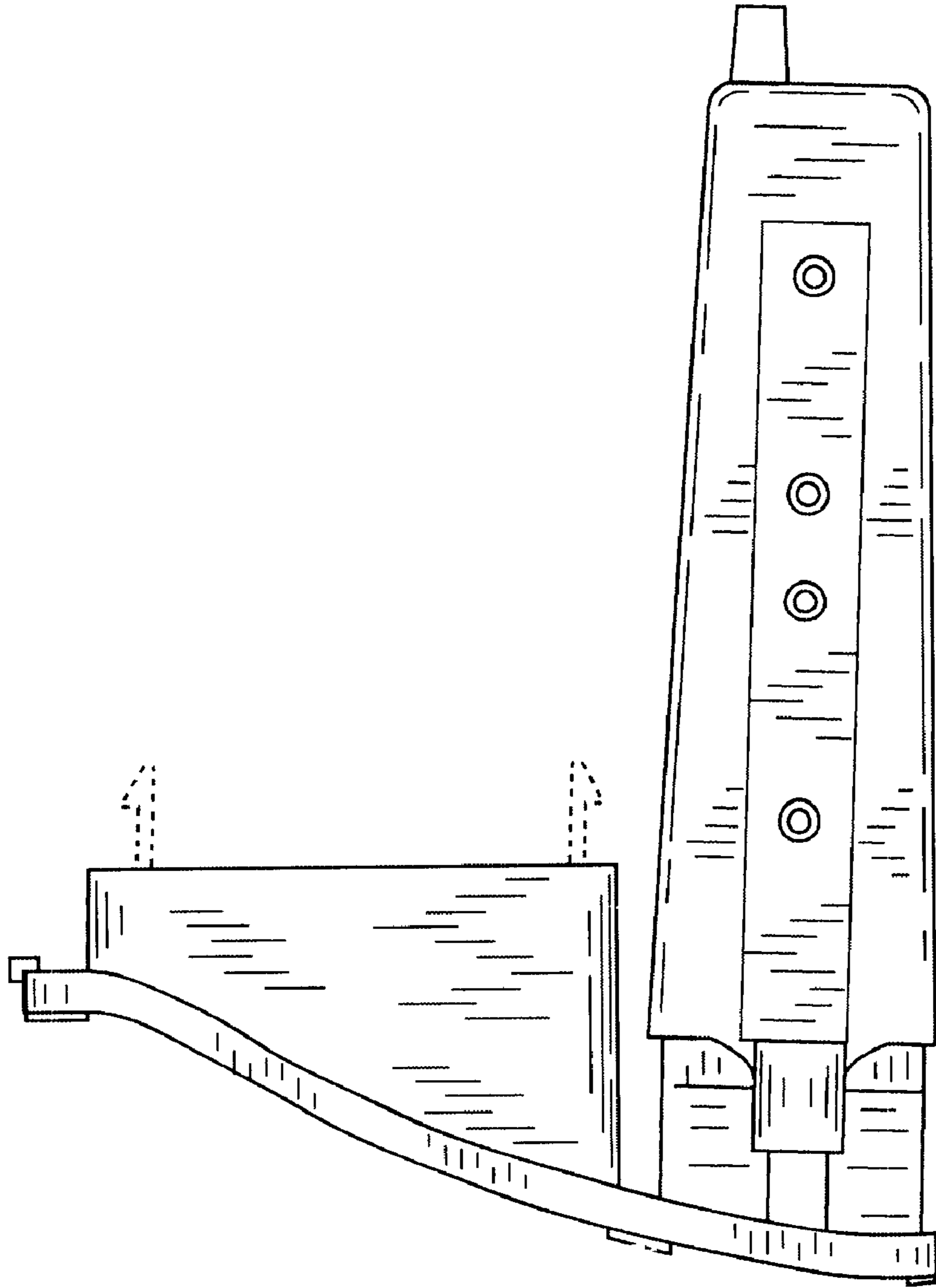


FIG. 4A

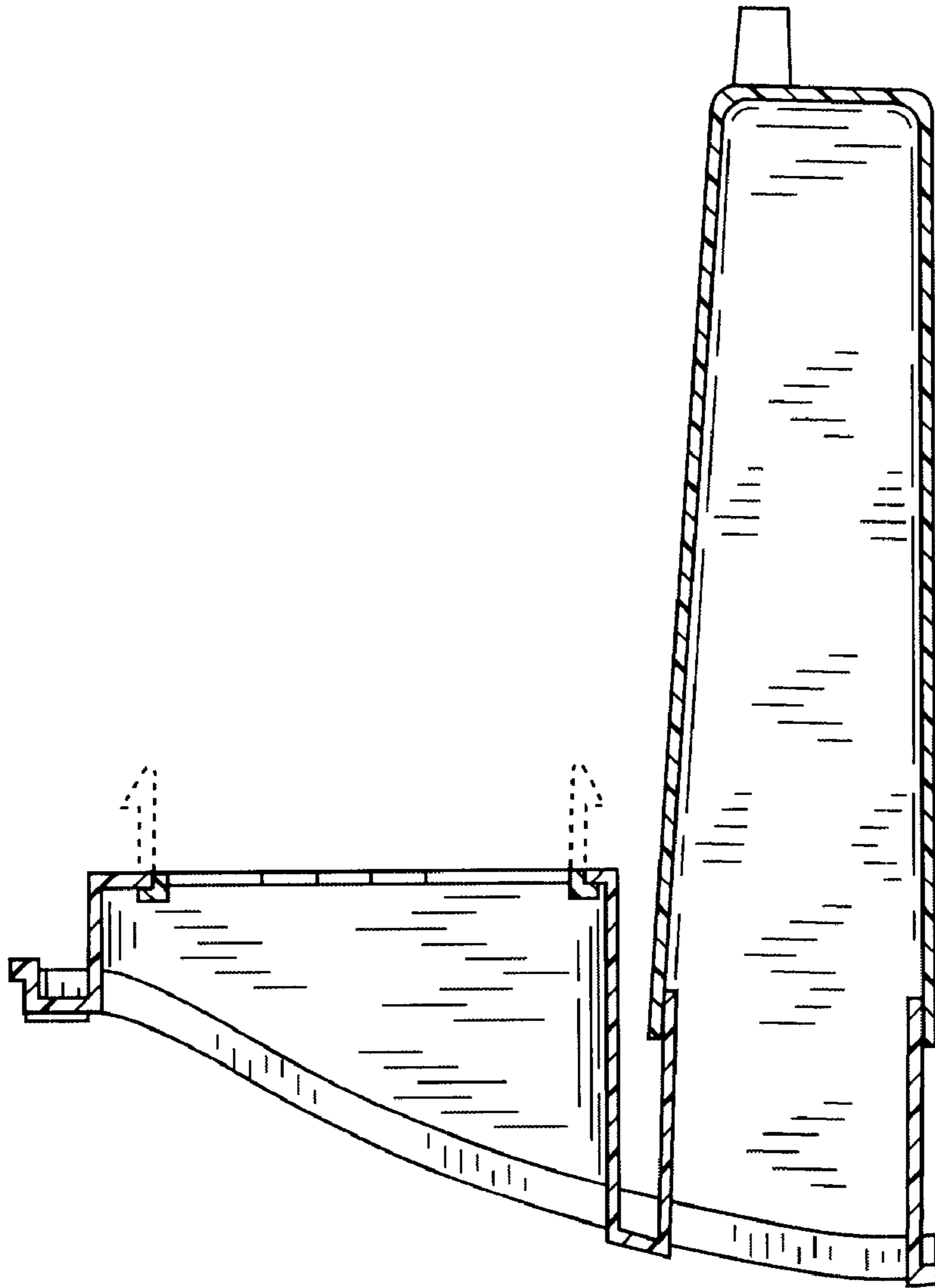


FIG. 4B

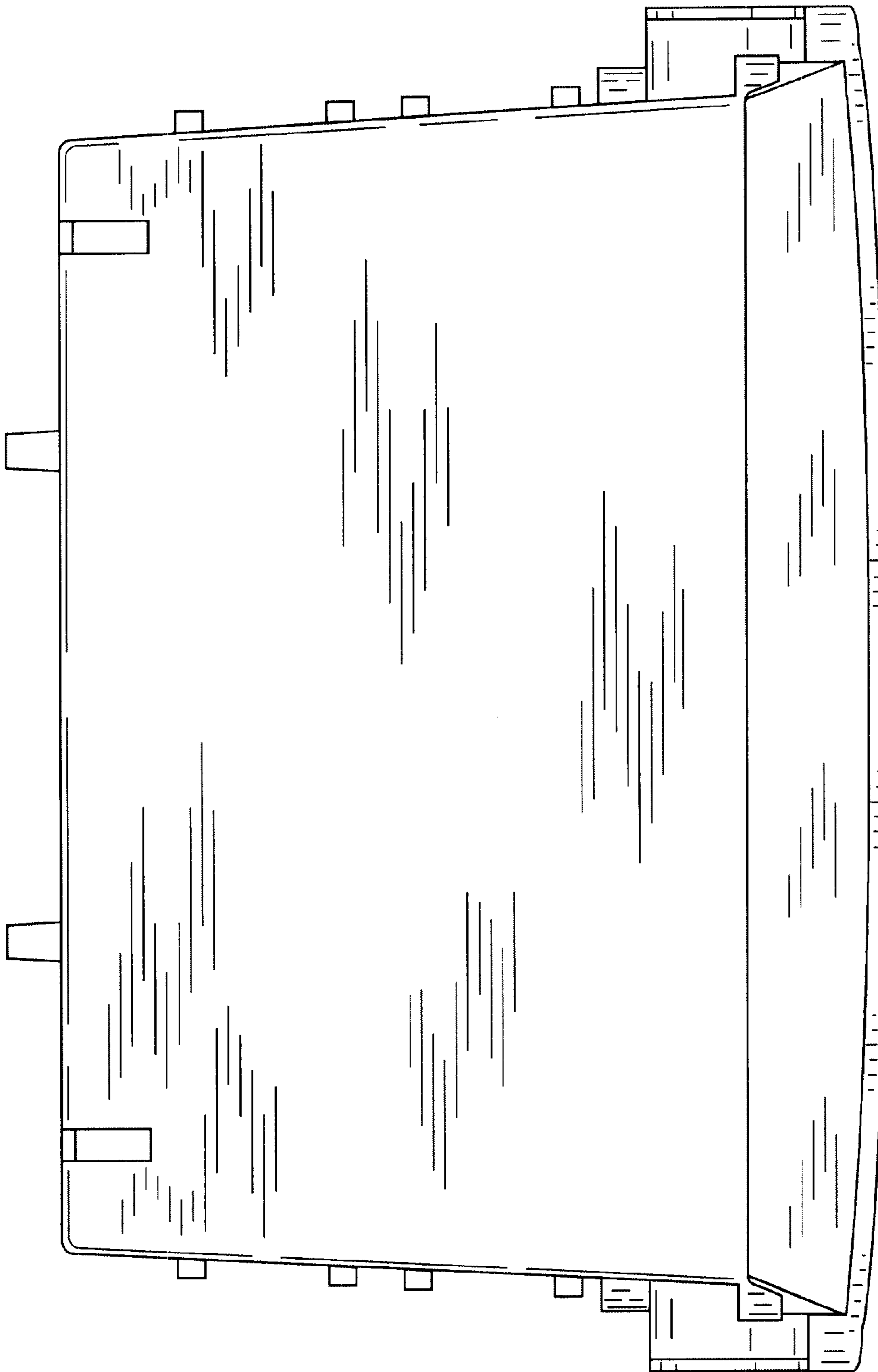


FIG. 5

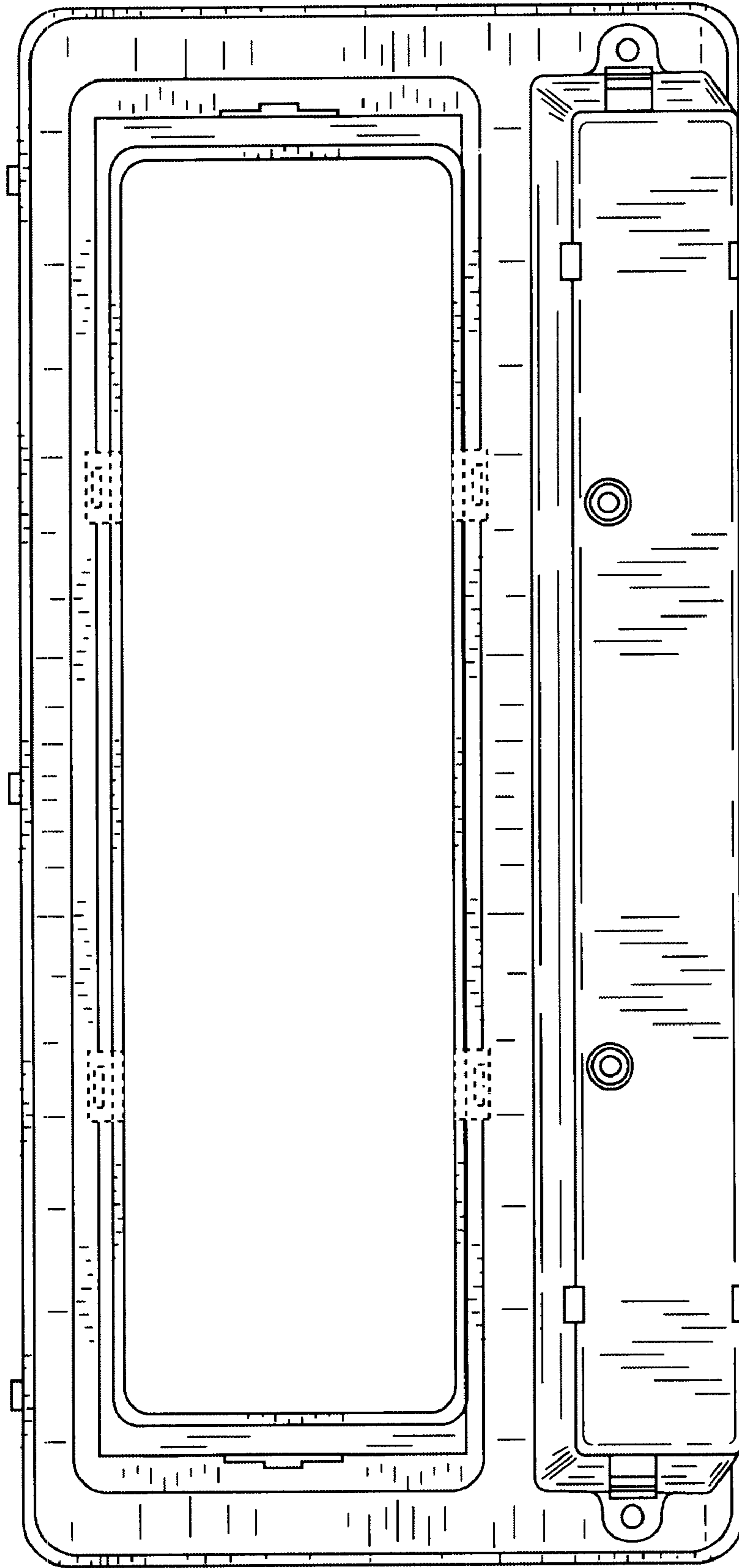


FIG. 6