



US00D482021S

(12) **United States Design Patent**
Olson et al.

(10) **Patent No.:** **US D482,021 S**

(45) **Date of Patent:** **** Nov. 11, 2003**

(54) **SPEAKER**

(75) Inventors: **Mark H. Olson**, Sunnyvale, CA (US);
Jeff Wyatt, Sunnyvale, CA (US);
Michael Voege, Sunnyvale, CA (US);
Luke Williams, Sunnyvale, CA (US);
Garth Gibby, Sunnyvale, CA (US);
Ethan Imboden, Sunnyvale, CA (US);
Ana Reza, Sunnyvale, CA (US)

(73) Assignee: **Hannspree, Inc. (TW)**

(**) Term: **14 Years**

(21) Appl. No.: **29/171,581**

(22) Filed: **Nov. 25, 2002**

(51) **LOC (7) Cl.** **14-01**

(52) **U.S. Cl.** **D14/216; D14/214**

(58) **Field of Search** D14/204, 207,
D14/209-216, 356; 181/143-145, 147-148,
150, 153, 157, 198-199; 381/300-302,
306, 333, 345, 361-364, 386-388

(56) **References Cited**

U.S. PATENT DOCUMENTS

D276,806 S * 12/1984 Eberbach D14/214

D369,169 S * 4/1996 Wicks et al. D14/214
D385,279 S * 10/1997 Diute D14/216
5,714,723 A * 2/1998 Kang 181/199
D398,929 S * 9/1998 Chu D14/214
D400,883 S * 11/1998 Jung D14/214
D458,917 S * 6/2002 Weikel et al. D14/214

* cited by examiner

Primary Examiner—Nanda Bondade

(74) *Attorney, Agent, or Firm*—Merchant & Gould, LLC

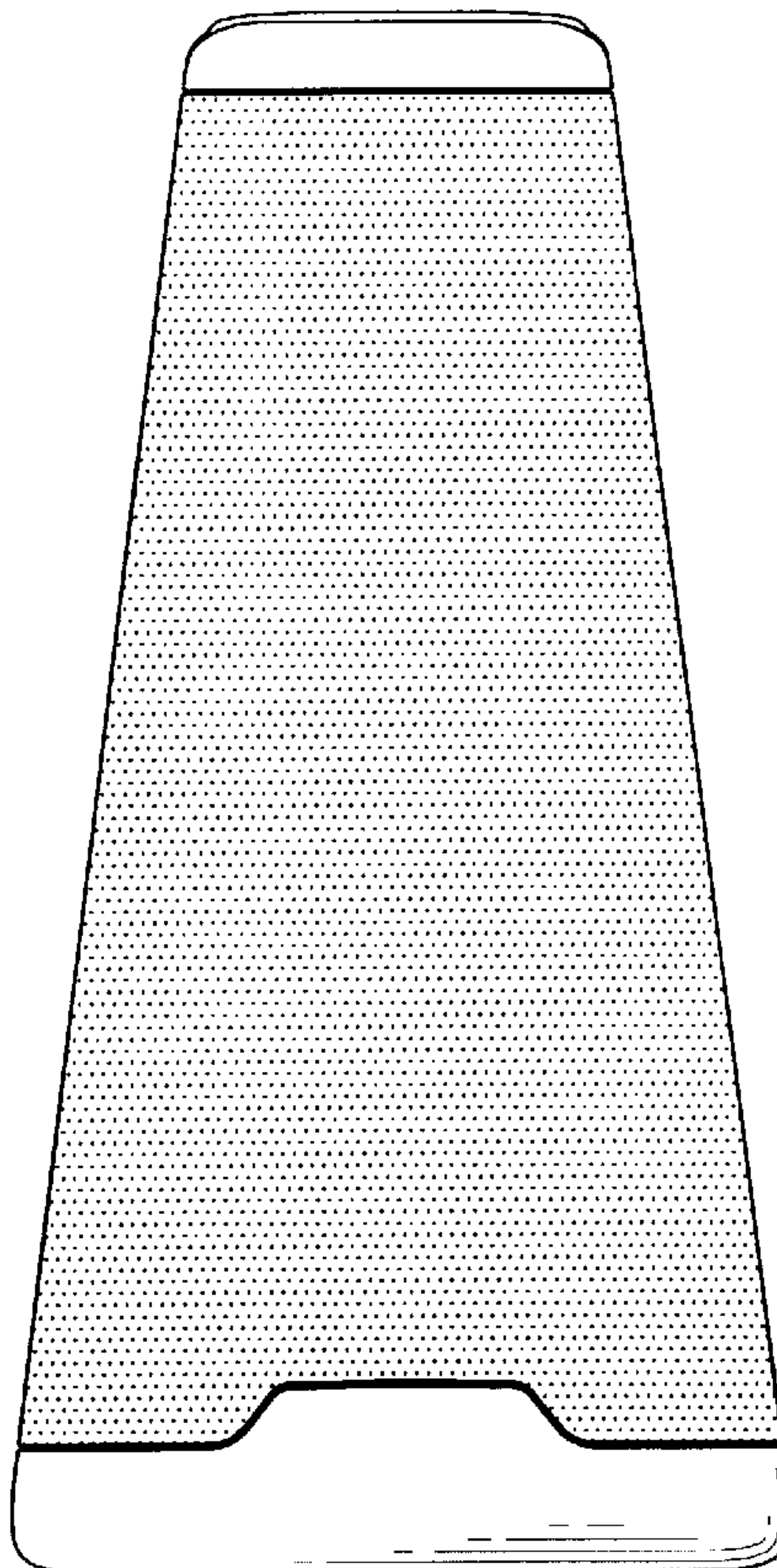
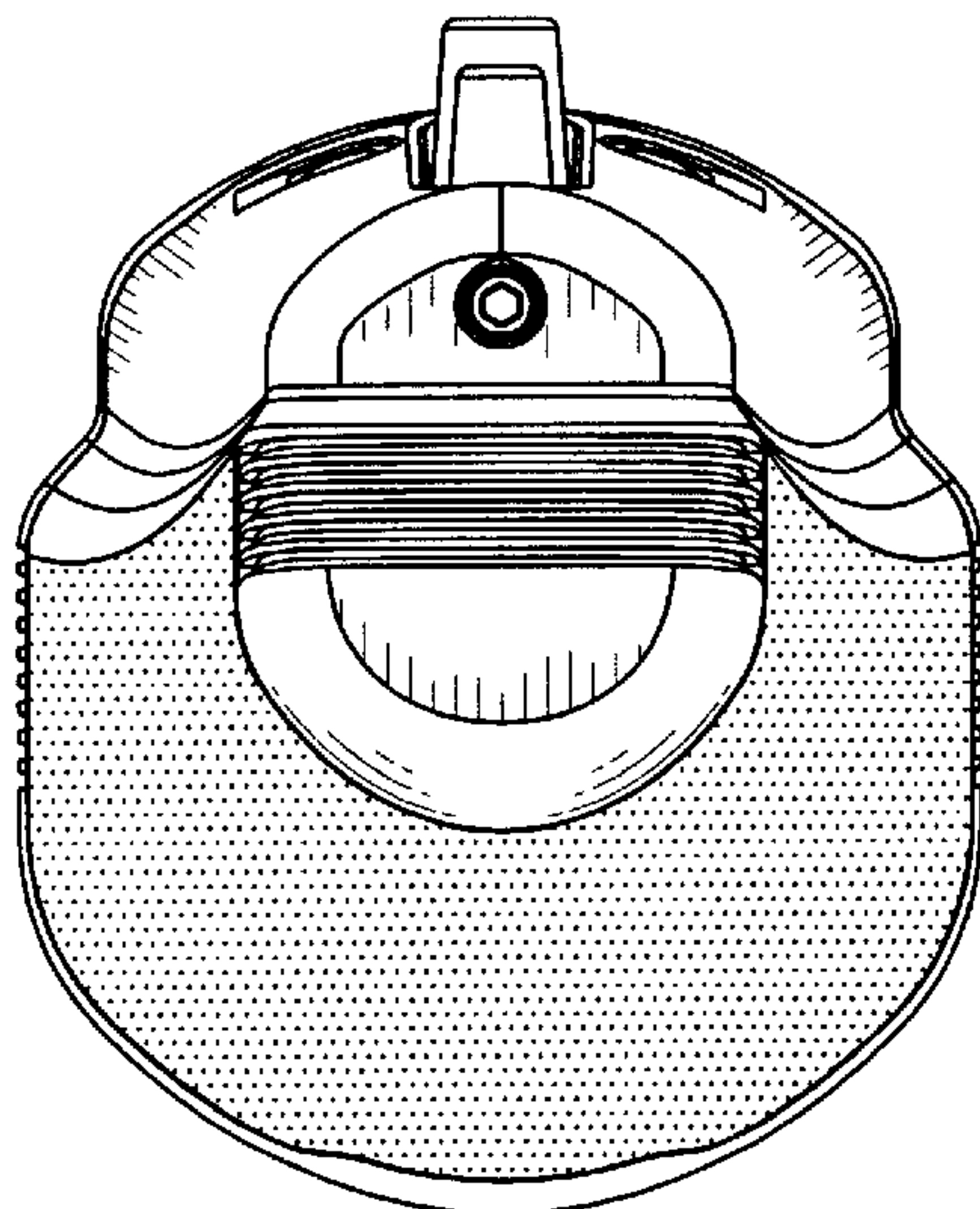
(57) **CLAIM**

The ornamental design for a speaker, as shown and described.

DESCRIPTION

FIG. 1 is a rear perspective view thereof;
FIG. 2 is a right side elevational view thereof;
FIG. 3 is a top plan view thereof;
FIG. 4 is a front elevational view thereof;
FIG. 5 is a bottom plan view thereof;
FIG. 6 is a left side elevational view thereof; and,
FIG. 7 is a rear elevational view thereof.

1 Claim, 7 Drawing Sheets



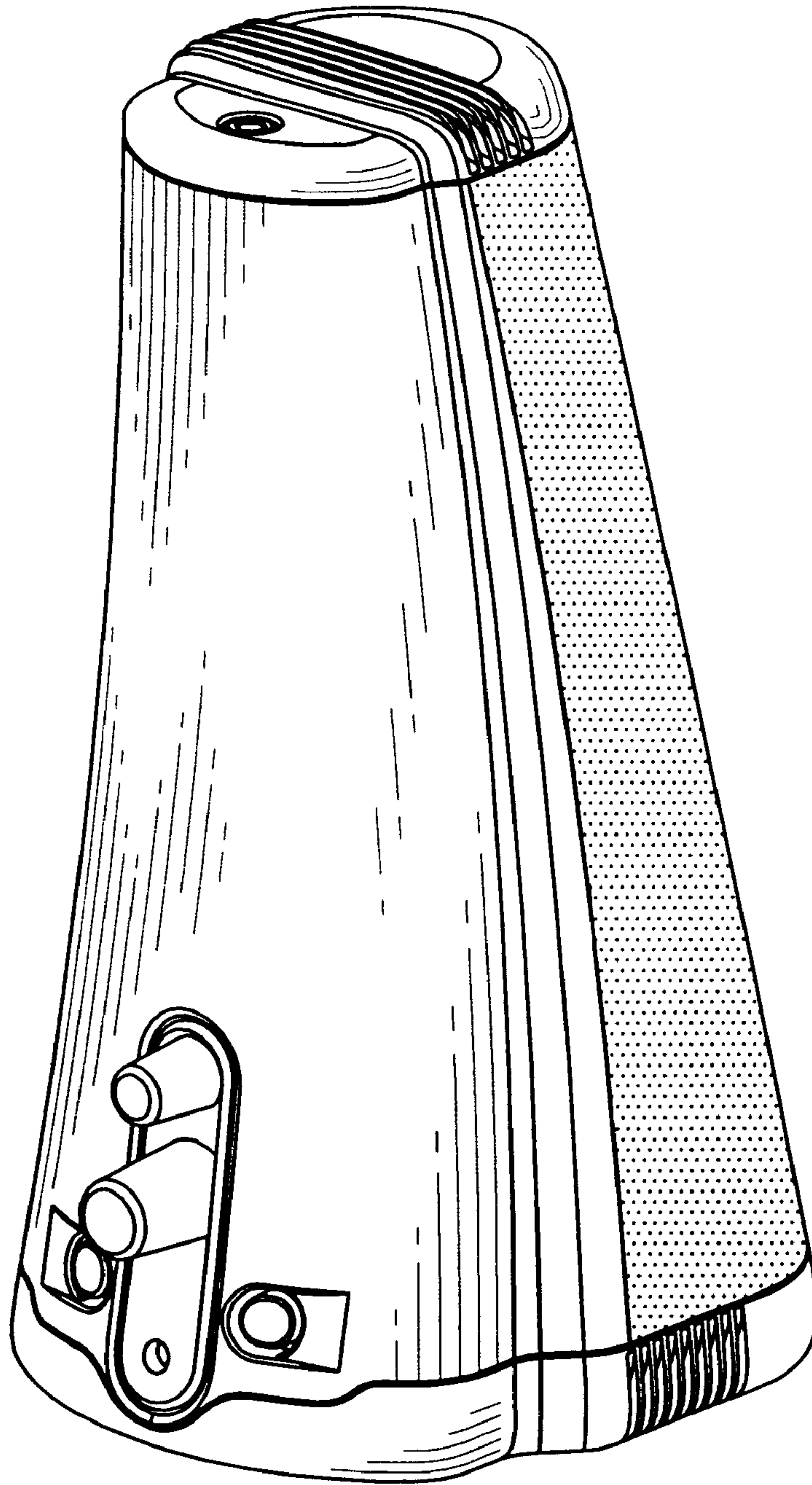


Fig. 1

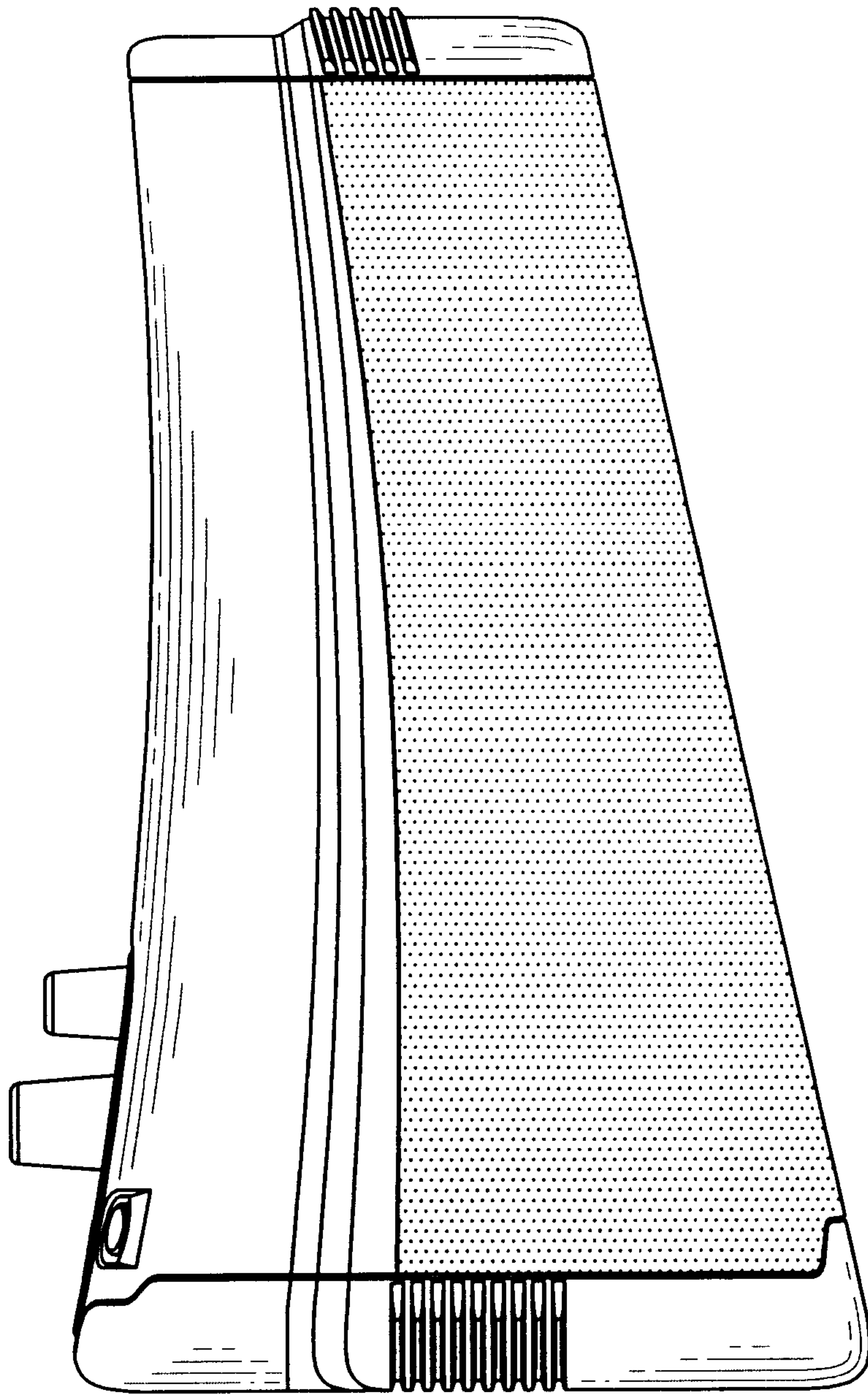


Fig. 2

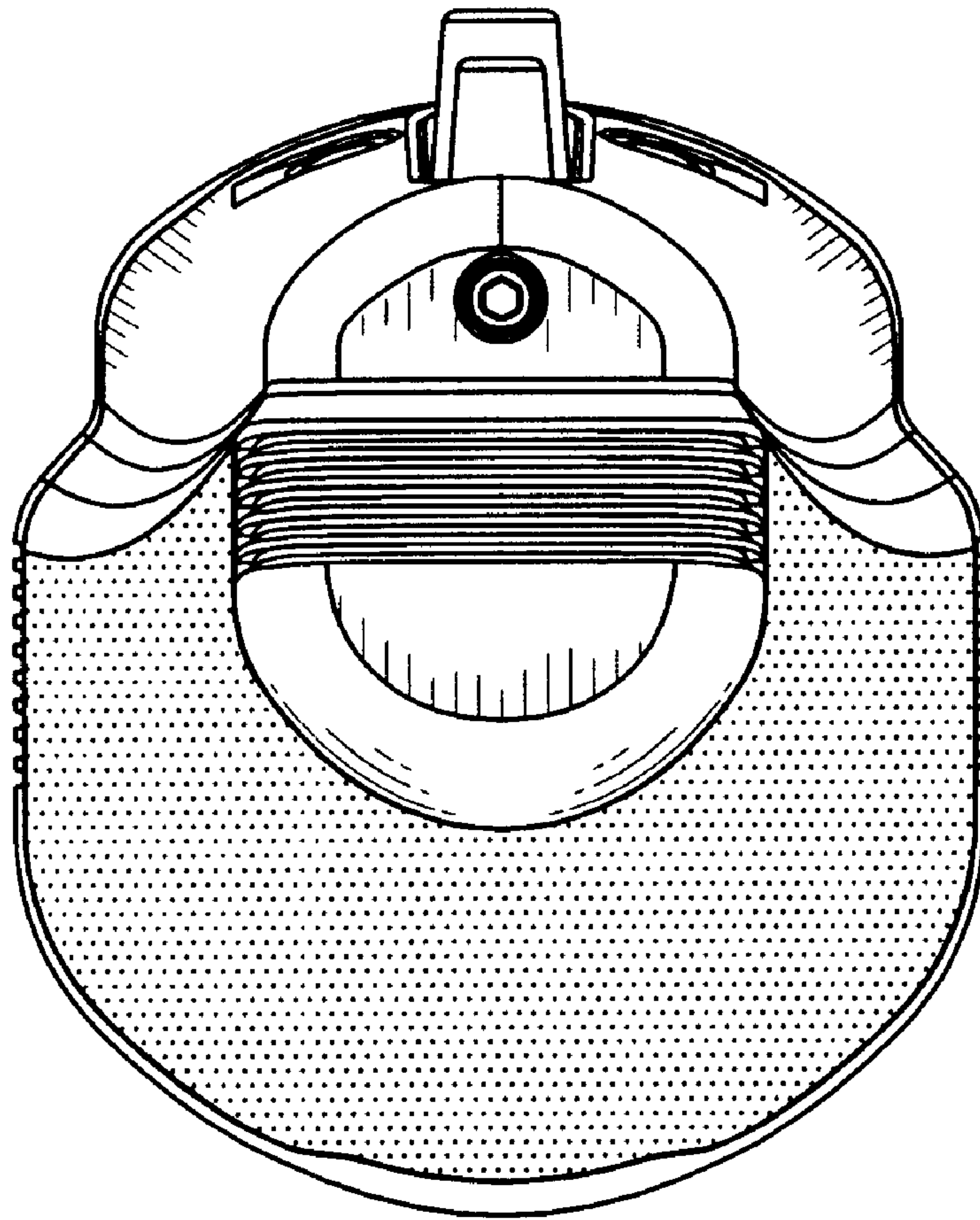


Fig. 3

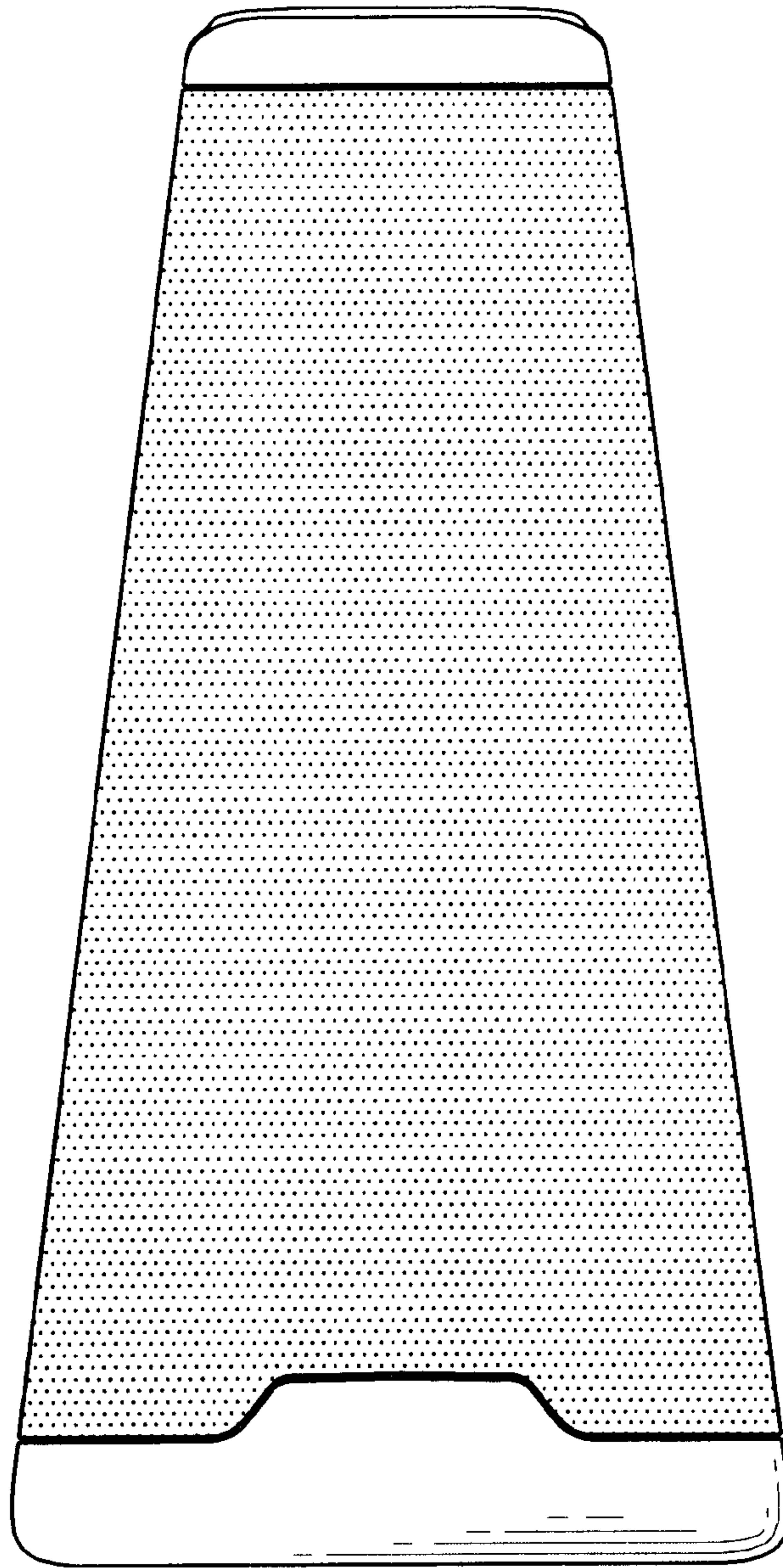


Fig. 4

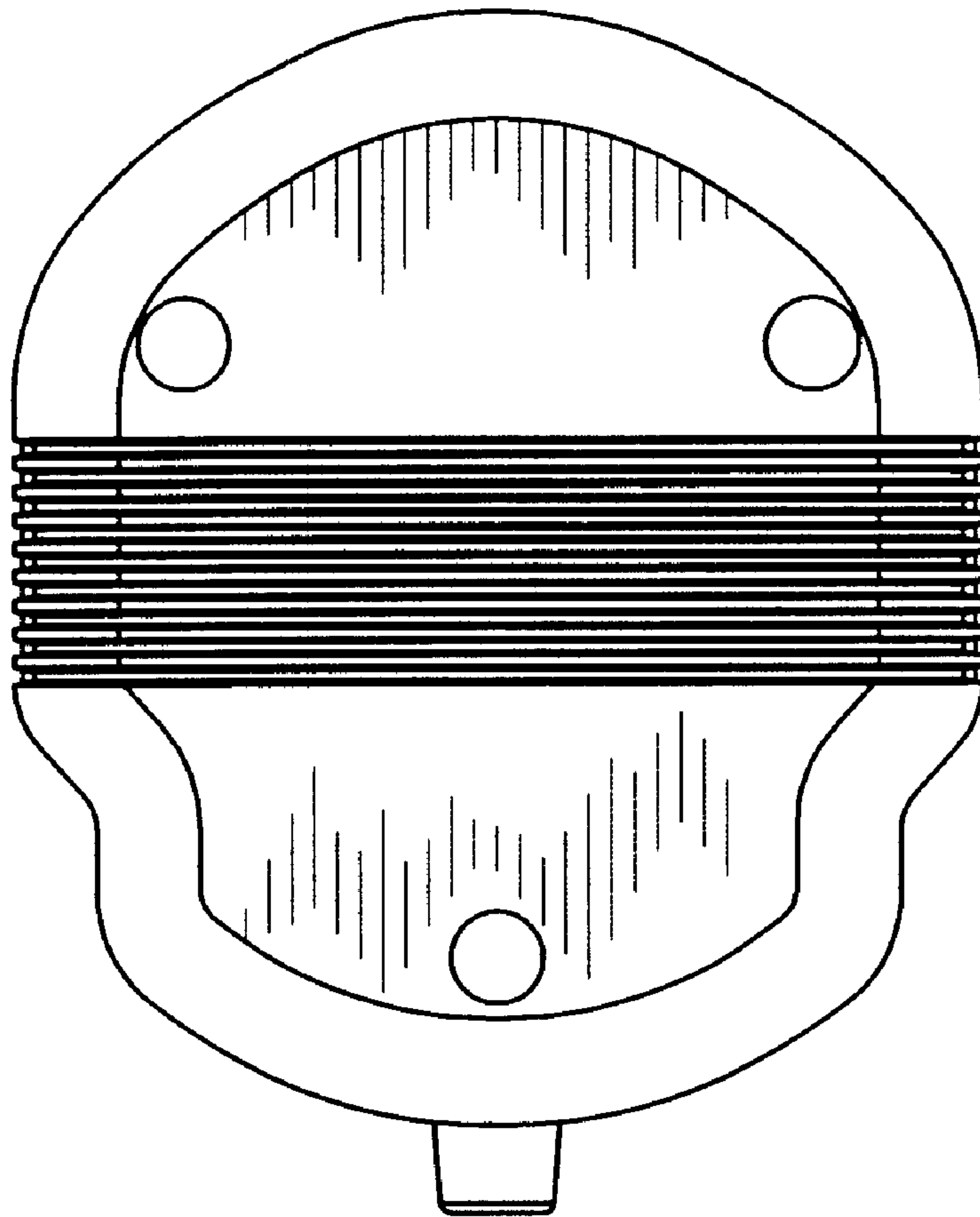


Fig. 5

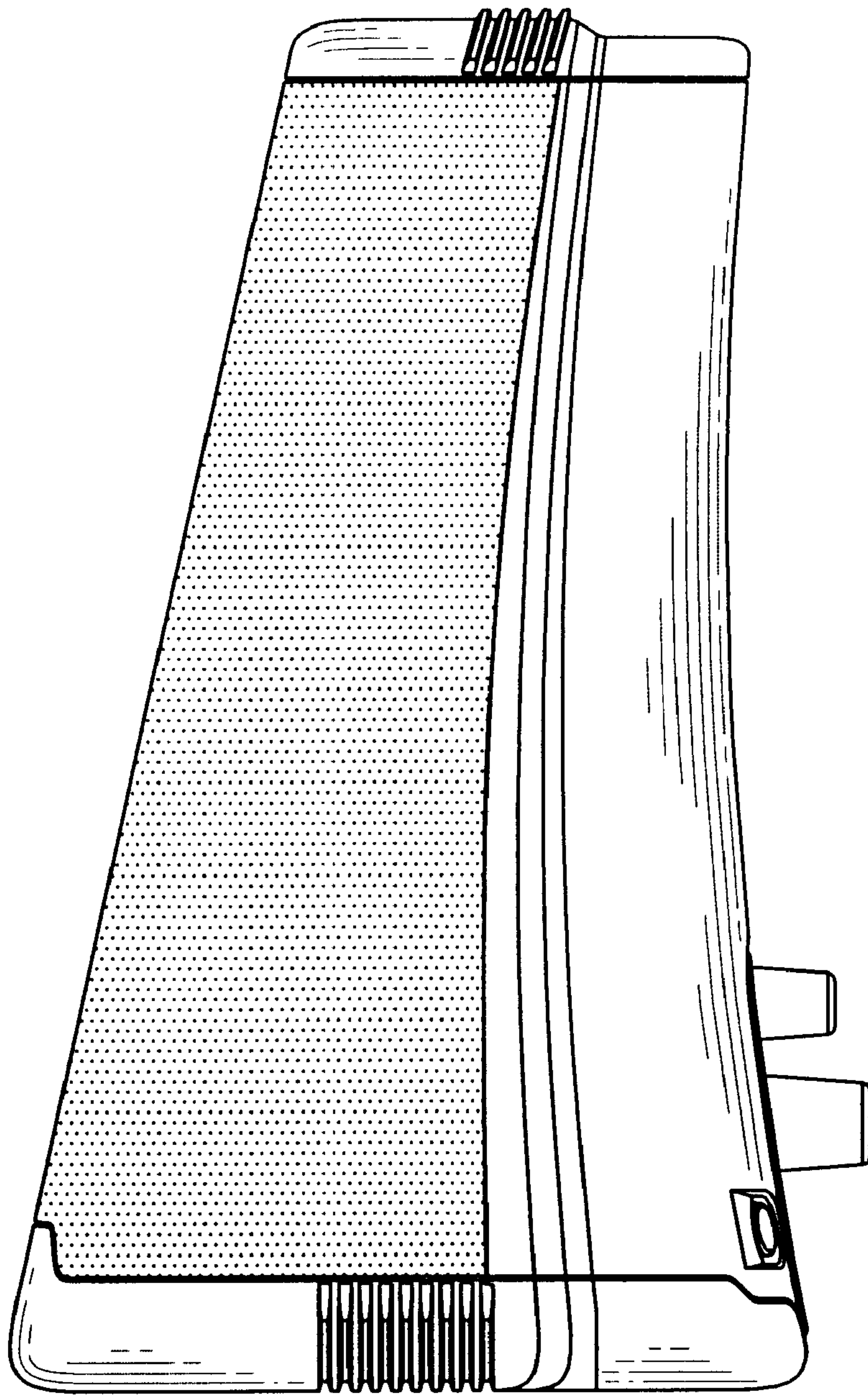


Fig. 6

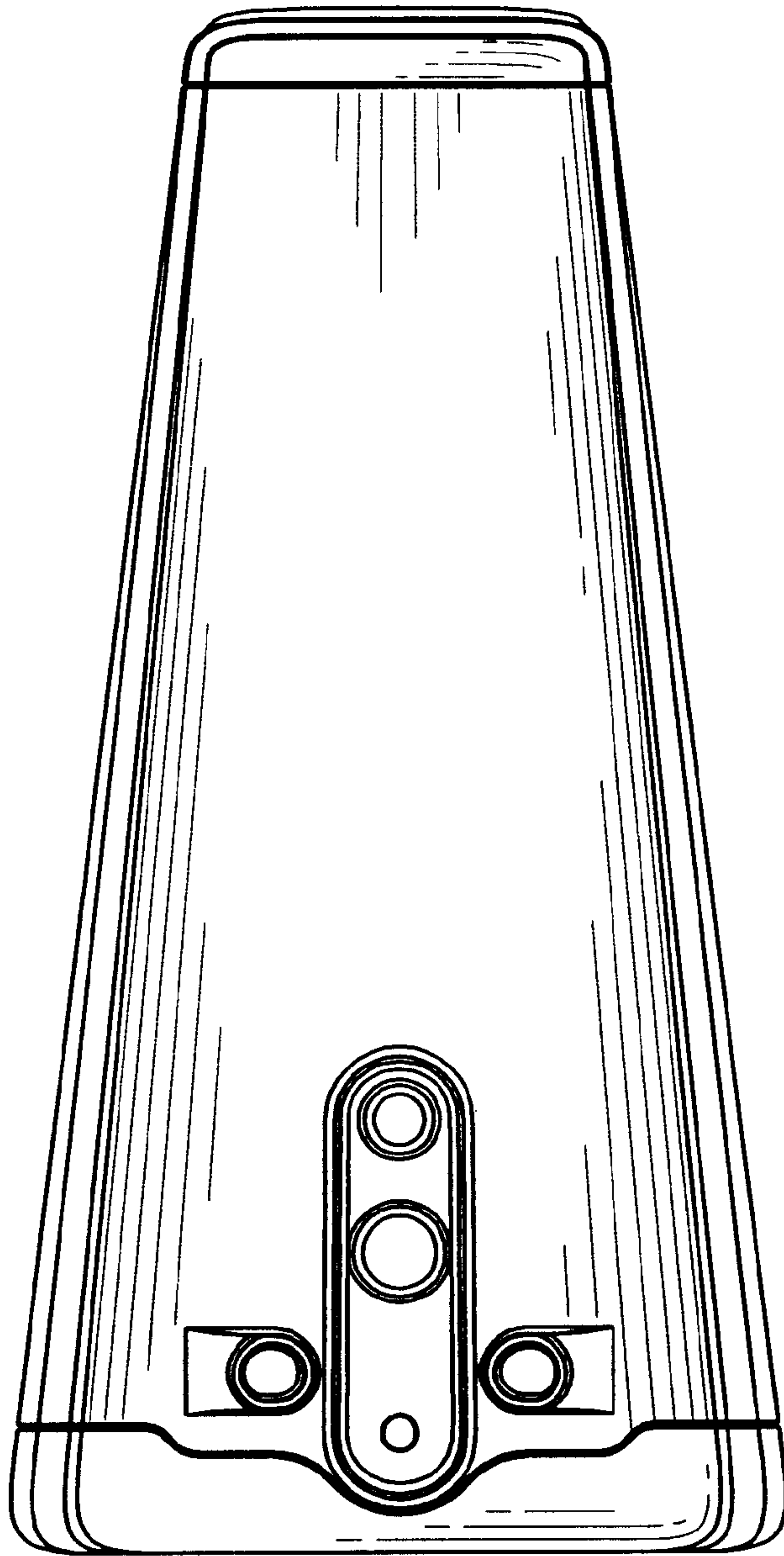


Fig. 7